



US00D953088S

(12) **United States Design Patent** (10) **Patent No.:** **US D953,088 S**
Seo et al. (45) **Date of Patent:** **** May 31, 2022**

(54) **ELECTRIC KETTLE**

(56) **References Cited**

(71) Applicant: **LG ELECTRONICS INC.**, Seoul (KR)

U.S. PATENT DOCUMENTS

(72) Inventors: **Woonkyu Seo**, Seoul (KR); **Miyoung Kim**, Seoul (KR); **Hyun Choi**, Seoul (KR); **Hyeonjeong An**, Seoul (KR)

D492,879 S * 7/2004 Allemand D7/317
D512,597 S * 12/2005 Bjørn D7/316
D553,898 S * 10/2007 De' Longhi D7/312
D554,425 S * 11/2007 Schwamkrug D7/317
D630,882 S * 1/2011 Cohen D7/318

(Continued)

(73) Assignee: **LG ELECTRONICS INC.**, Seoul (KR)

OTHER PUBLICATIONS

(**) Term: **15 Years**

Design No. 305350234, Sep. 17, 2019—China National Intellectual Property Administration Publication Date—Sep. 17, 2019 Owner—Qi Si WIPO, available at <https://www3.wipo.int/designdb/en/index.jsp> (Year: 2019).*

(21) Appl. No.: **29/726,106**

(Continued)

(22) Filed: **Feb. 28, 2020**

(30) **Foreign Application Priority Data**

Feb. 21, 2020 (KR) 30-2020-0007887

Primary Examiner — Mary Ann Calabrese

Assistant Examiner — Natalya M Rapundalo

(51) **LOC (13) Cl.** **07-02**

(74) *Attorney, Agent, or Firm* — Birch, Stewart, Kolasch & Birch, LLP

(52) **U.S. Cl.**
USPC **D7/318**

(57) **CLAIM**

The ornamental design for an electric kettle, as shown and described.

(58) **Field of Classification Search**
USPC D7/300, 301–323, 354, 360, 361, 386, D7/387, 393–396.2, 397–400, 402, 509, D7/514, 533–536, 683, 688, 691, 391; D8/300, 307; D9/431, 434–436, 504, D9/644–646, 648, 655, 656, 658; D21/523–525; 99/275; 222/129.1
CPC B67D 1/00; B67D 1/003; B67D 1/004; B67D 1/009; B67D 1/0015; B67D 1/0016; B67D 1/0021; B67D 1/0041; B67D 1/0042; B67D 1/0043; B67D 1/06; A47G 19/14; A47G 19/22; A47G 19/2205; A47G 19/2266; A47G 19/2272; A47J 27/21; A47J 27/21008; A47J 27/2105; A47J 27/21091; A47J 27/21166; A47J 27/21175; A47J 31/00; A47J 31/007; A47J 31/46

DESCRIPTION

FIG. 1 is a front, right side, perspective view of an electric kettle showing our new design;
FIG. 2 is a front view thereof;
FIG. 3 is a rear view thereof;
FIG. 4 is a left side view thereof;
FIG. 5 is a right side view thereof;
FIG. 6 is a top view thereof;
FIG. 7 is a bottom view thereof; and,
FIG. 8 is a front, right side perspective view showing the claimed design removed from the base for clarity of understanding the disclosure.
The broken lines indicate portions of the article that form no part of the claimed design.

See application file for complete search history.

1 Claim, 8 Drawing Sheets

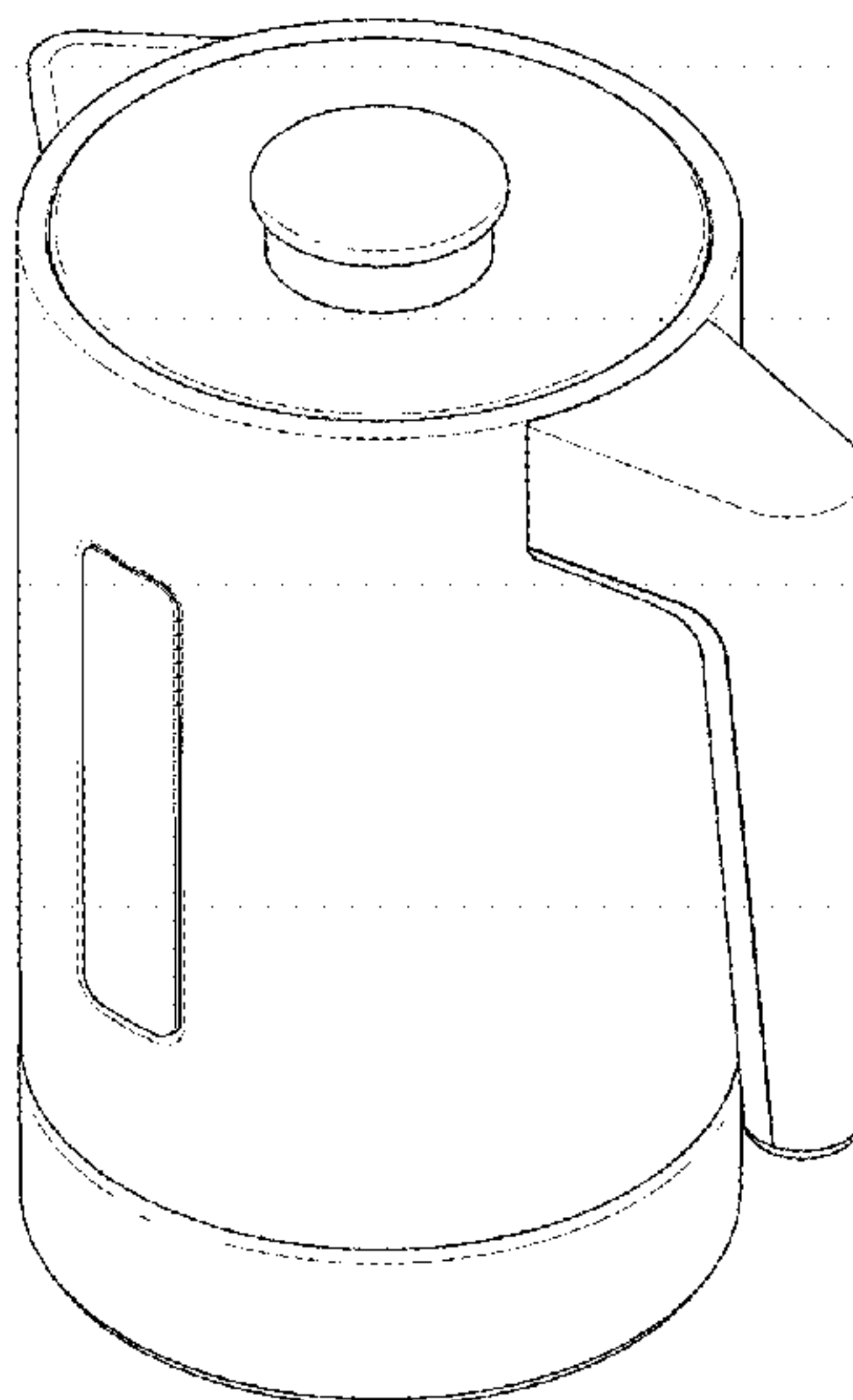


FIG. 1

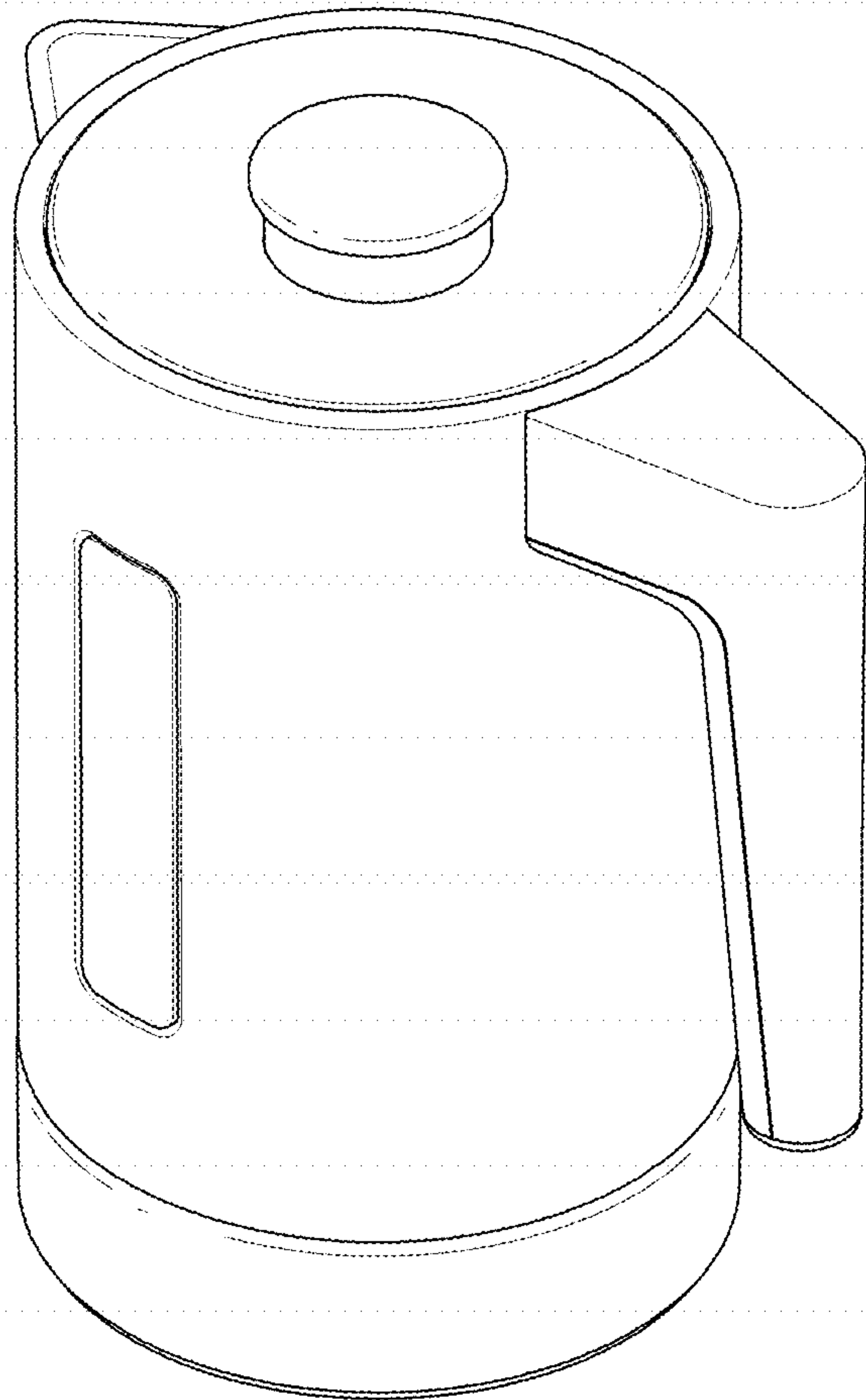


FIG. 2

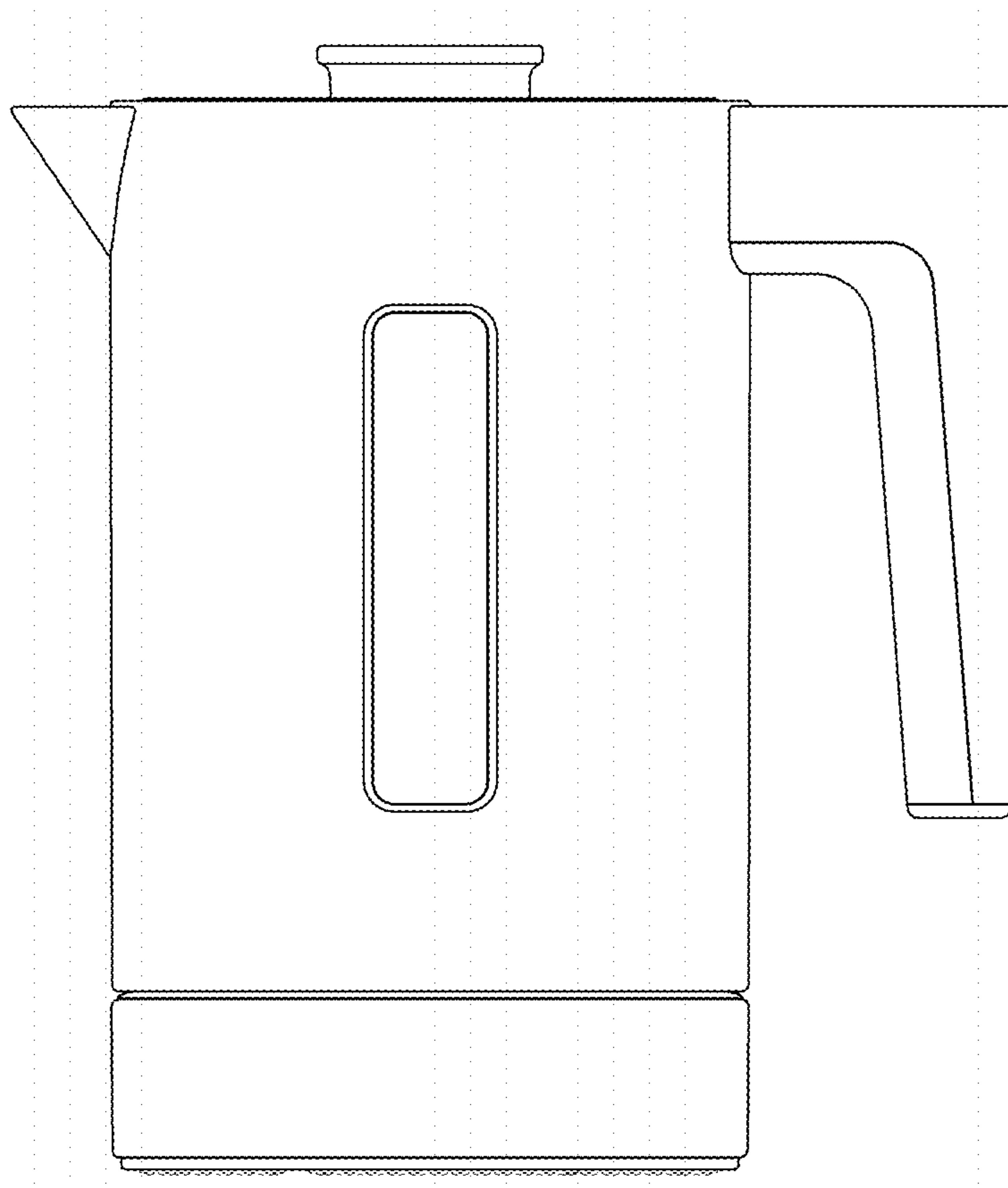


FIG. 3

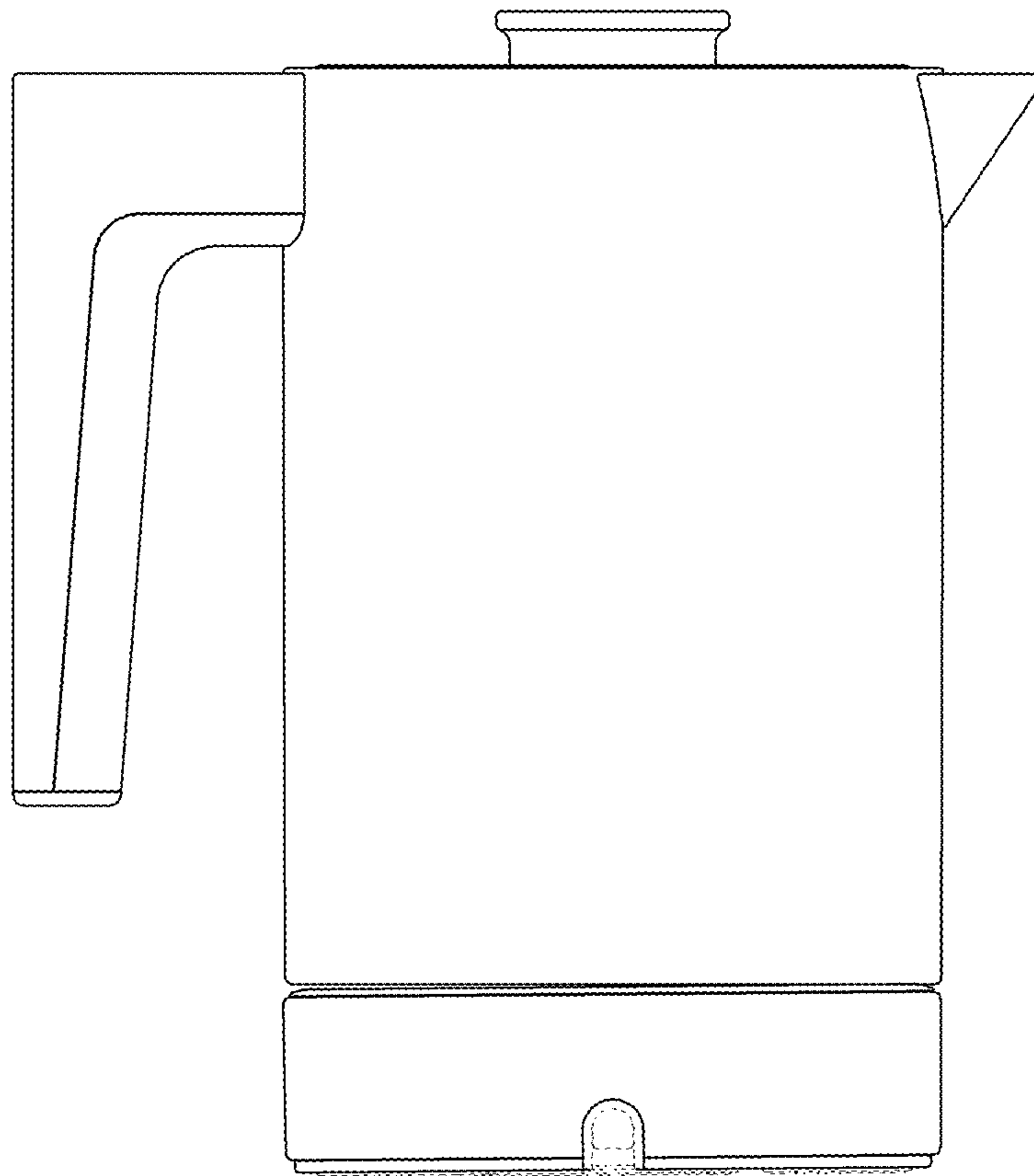


FIG. 4

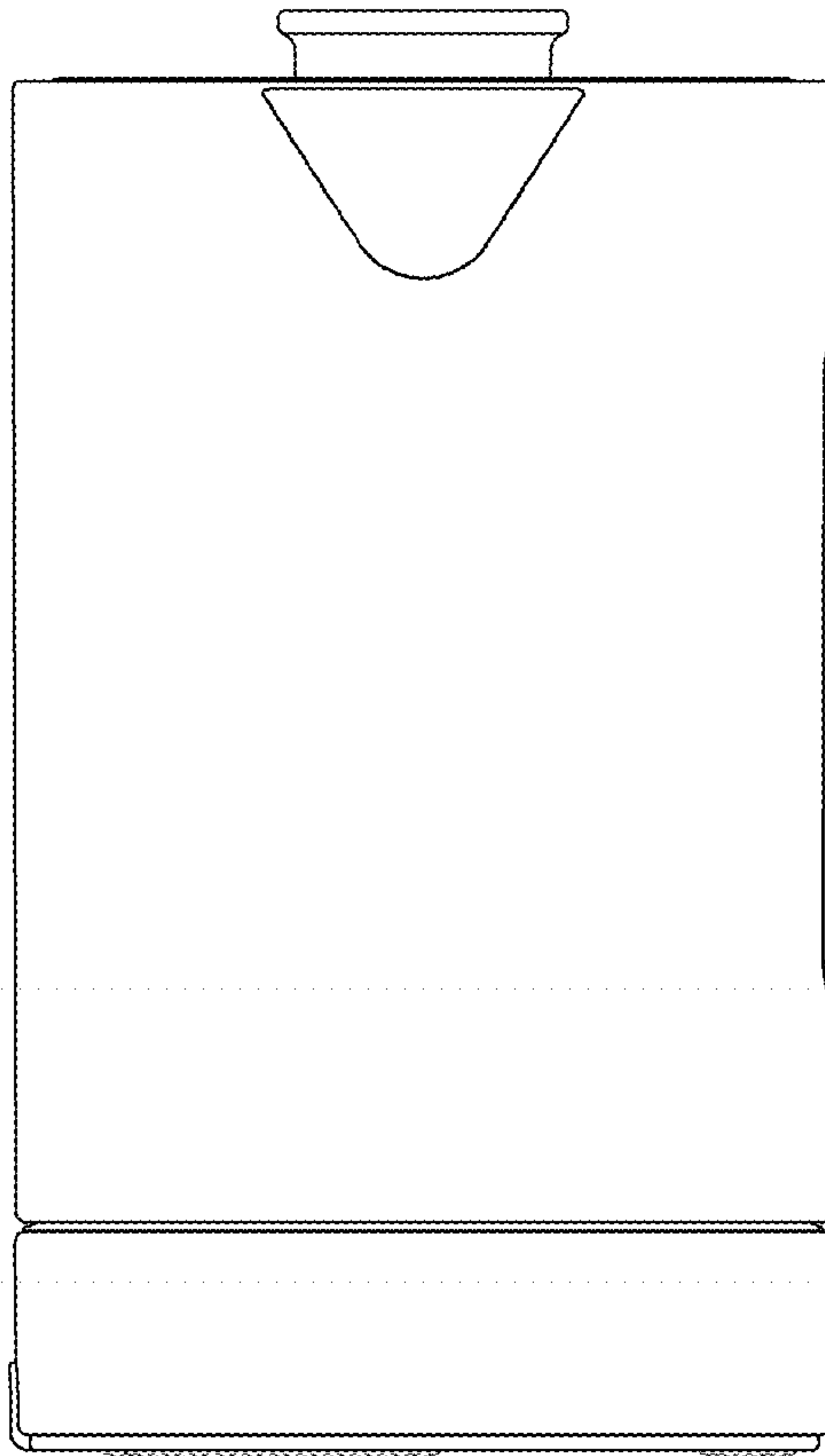


FIG. 5

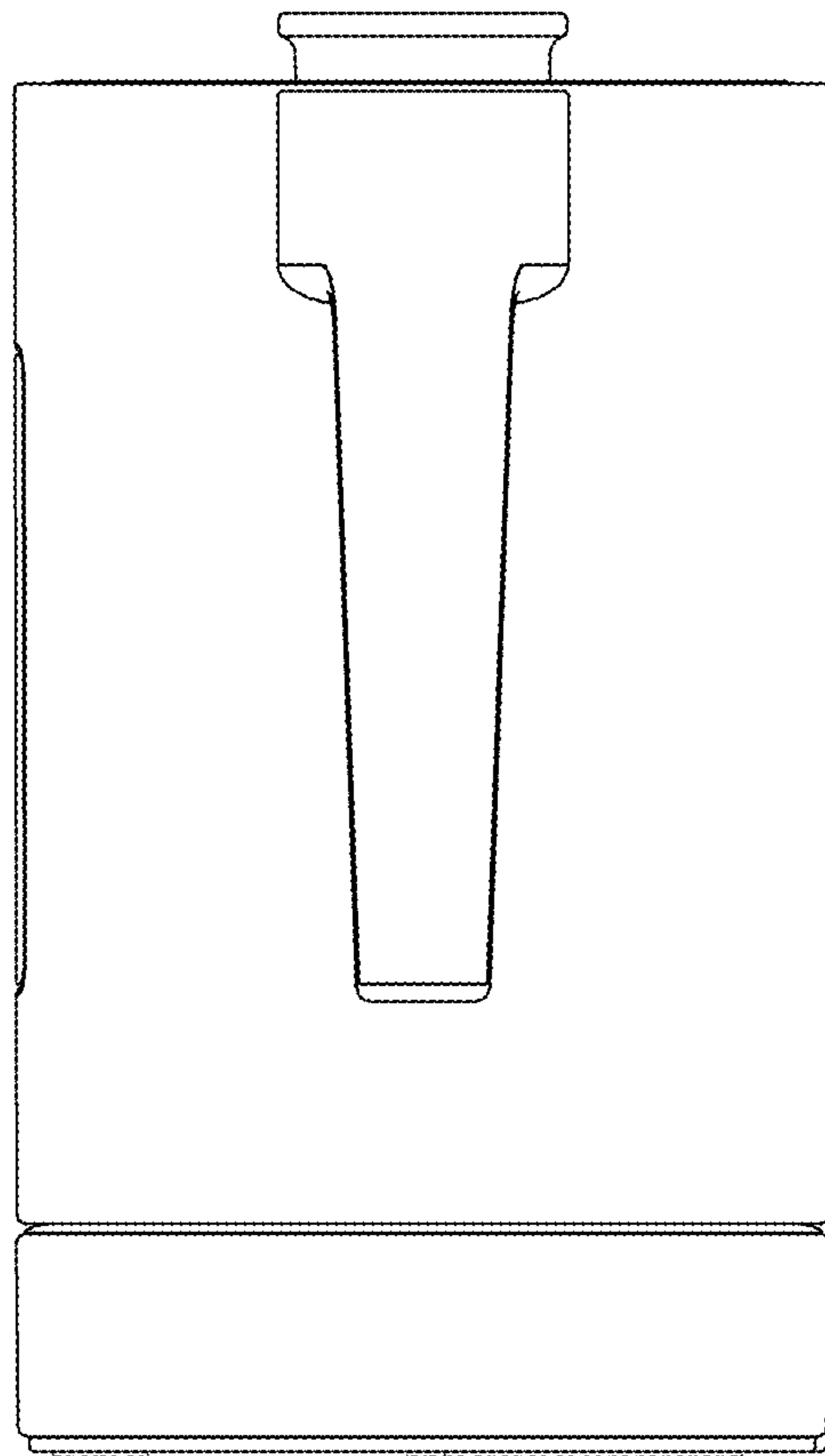


FIG. 6

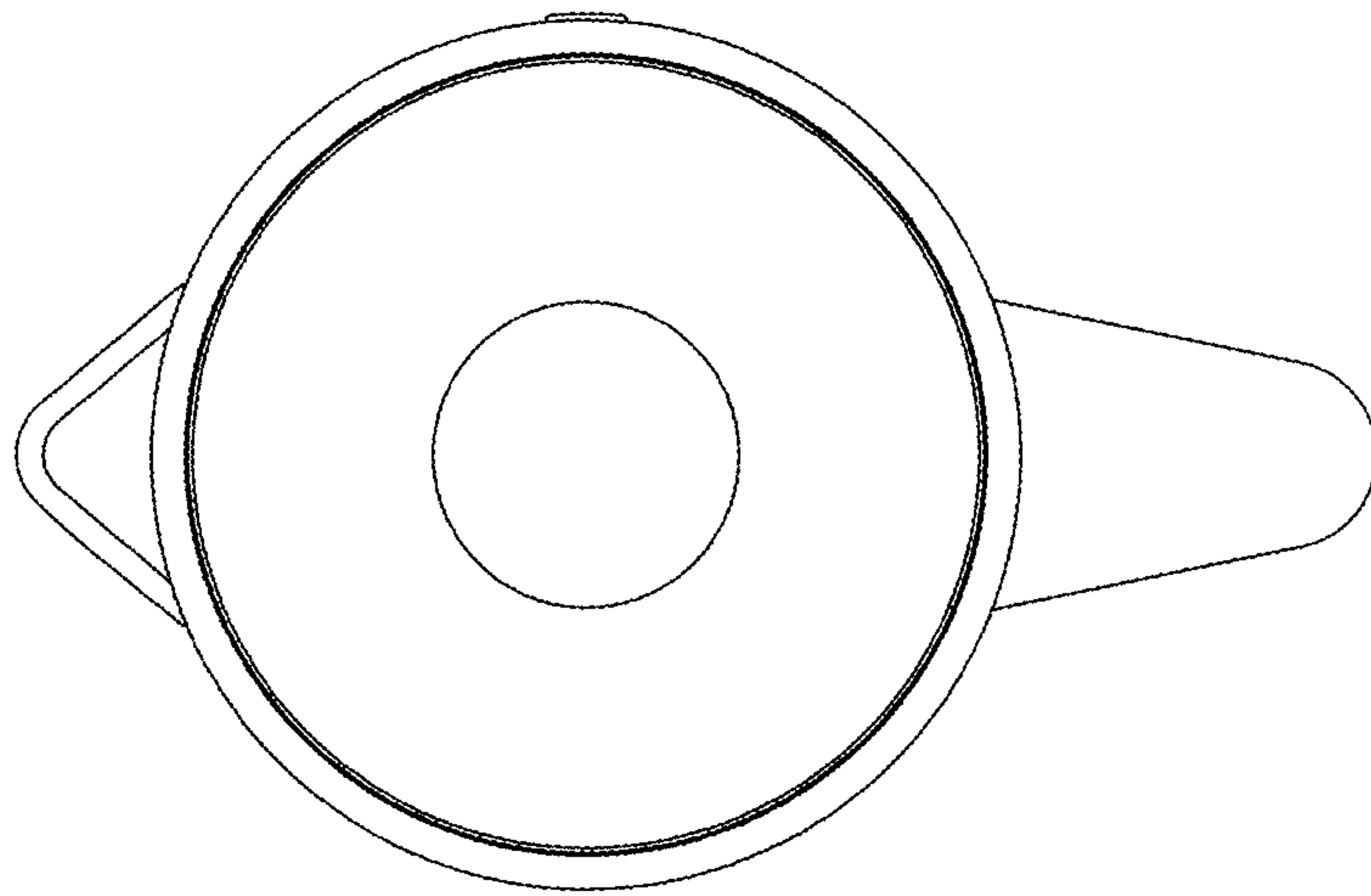


FIG. 7

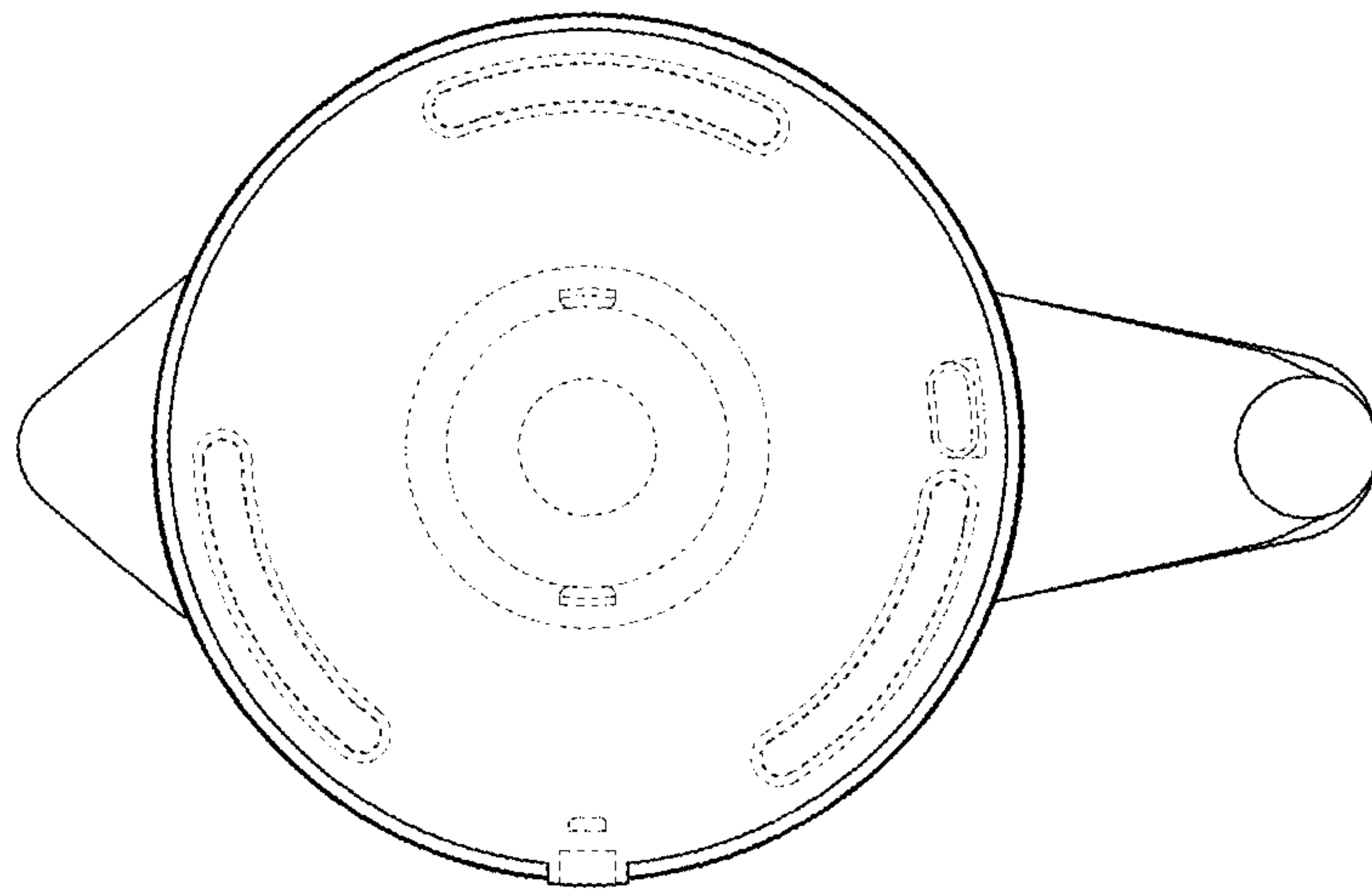


FIG. 8

