



US00D953087S

(12) **United States Design Patent**
Gomree et al.

(10) **Patent No.:** **US D953,087 S**

(45) **Date of Patent:** **** May 31, 2022**

(54) **CHAIR**

(71) Applicant: **Cramer LLC**, Kansas City, MO (US)

(72) Inventors: **Jean-Francois Gomree**, Minneapolis, MN (US); **Kyle Michael Waggoner**, Mission, KS (US); **Kevin Gilchrist**, Kansas City, MO (US)

(73) Assignee: **Cramer LLC**, Kansas City, MO (US)

(**) Term: **15 Years**

(21) Appl. No.: **29/809,662**

(22) Filed: **Sep. 29, 2021**

Related U.S. Application Data

(63) Continuation of application No. 29/735,373, filed on May 20, 2020, now Pat. No. Des. 935,818.

(51) **LOC (13) Cl.** **06-01**

(52) **U.S. Cl.**
USPC **D6/716.4**

(58) **Field of Classification Search**

USPC D6/334, 366, 367, 372, 373, 374, 379, D6/380, 716.1, 716.4

CPC A47C 1/02; A47C 1/022; A47C 1/024; A47C 3/12; A47C 3/18; A47C 3/026; A47C 7/18; A47C 7/36; A47C 7/40; A47C 7/46

See application file for complete search history.

(56) **References Cited**

U.S. PATENT DOCUMENTS

D270,020 S * 8/1983 Drabert D6/366
D273,917 S * 5/1984 Pelly D6/366

D289,708 S * 5/1987 Rykken D6/335
5,344,211 A * 9/1994 Adat A47C 7/42
297/230.14
D358,515 S * 5/1995 Adat D6/716.4
D368,609 S * 4/1996 Roberts 297/352
D770,789 S * 11/2016 Chen D6/366
D789,129 S * 6/2017 Fromme-Ruthmann D6/716
10,973,725 B2 * 4/2021 Mason A47C 9/002
D935,818 S * 11/2021 Gomree D6/716
2005/0104435 A1 * 5/2005 Bain A47C 1/03
297/411.36
2019/0223603 A1 * 7/2019 France A47C 7/54

FOREIGN PATENT DOCUMENTS

CA 2352650 A1 * 1/2002 A47C 1/03266

* cited by examiner

Primary Examiner — R. Johnson

(74) *Attorney, Agent, or Firm* — Erise IP, P.A.

(57) **CLAIM**

The ornamental design for a chair, as shown and described.

DESCRIPTION

FIG. 1 is a perspective view of a chair embodying the design;

FIG. 2 is a front view thereof;

FIG. 3 is a back view thereof;

FIG. 4 is a left side view thereof;

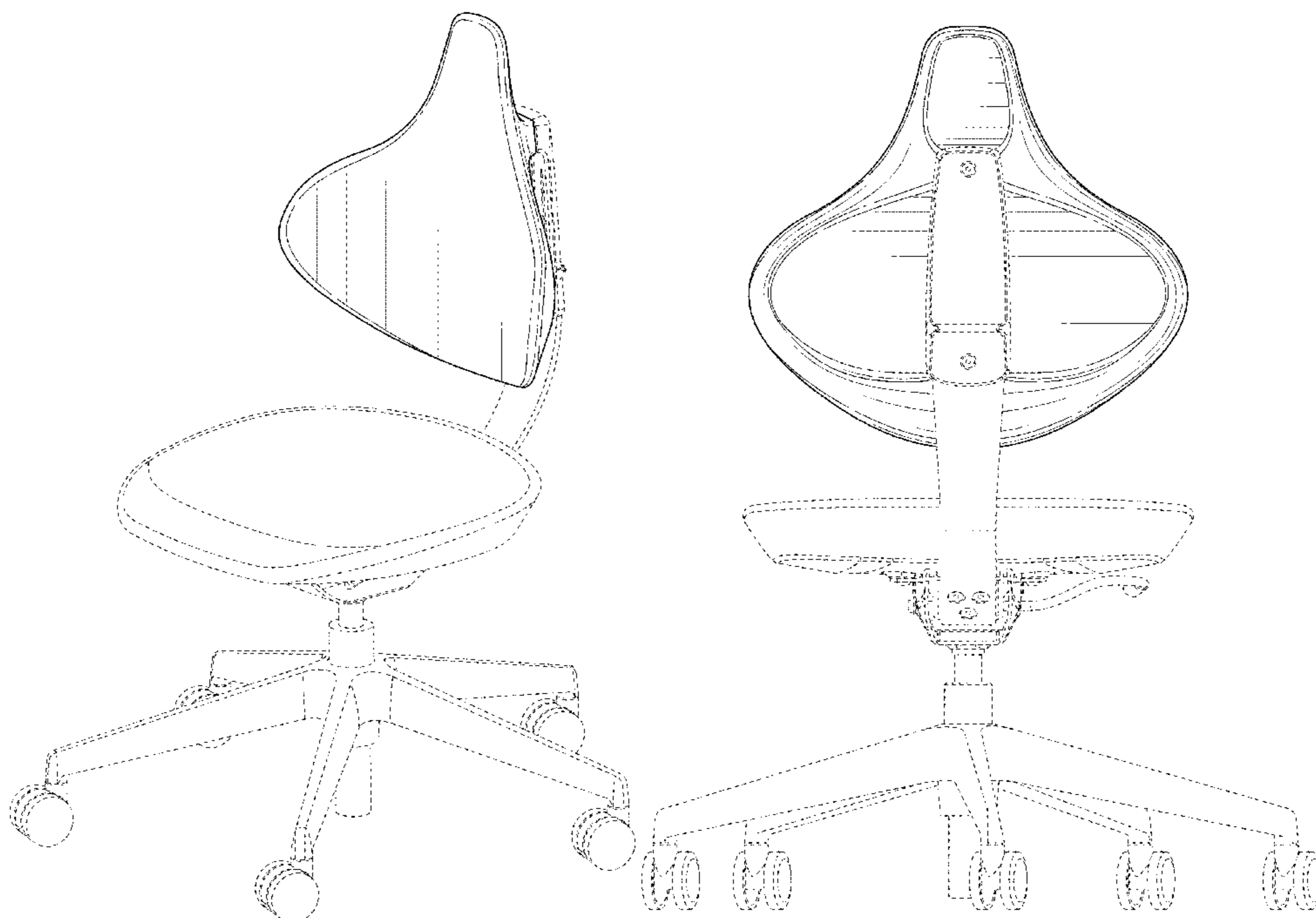
FIG. 5 is a right side view thereof;

FIG. 6 is a top view thereof; and,

FIG. 7 is a bottom view thereof.

The broken lines illustrate the portions of the chair that form no part of the claimed design.

1 Claim, 7 Drawing Sheets



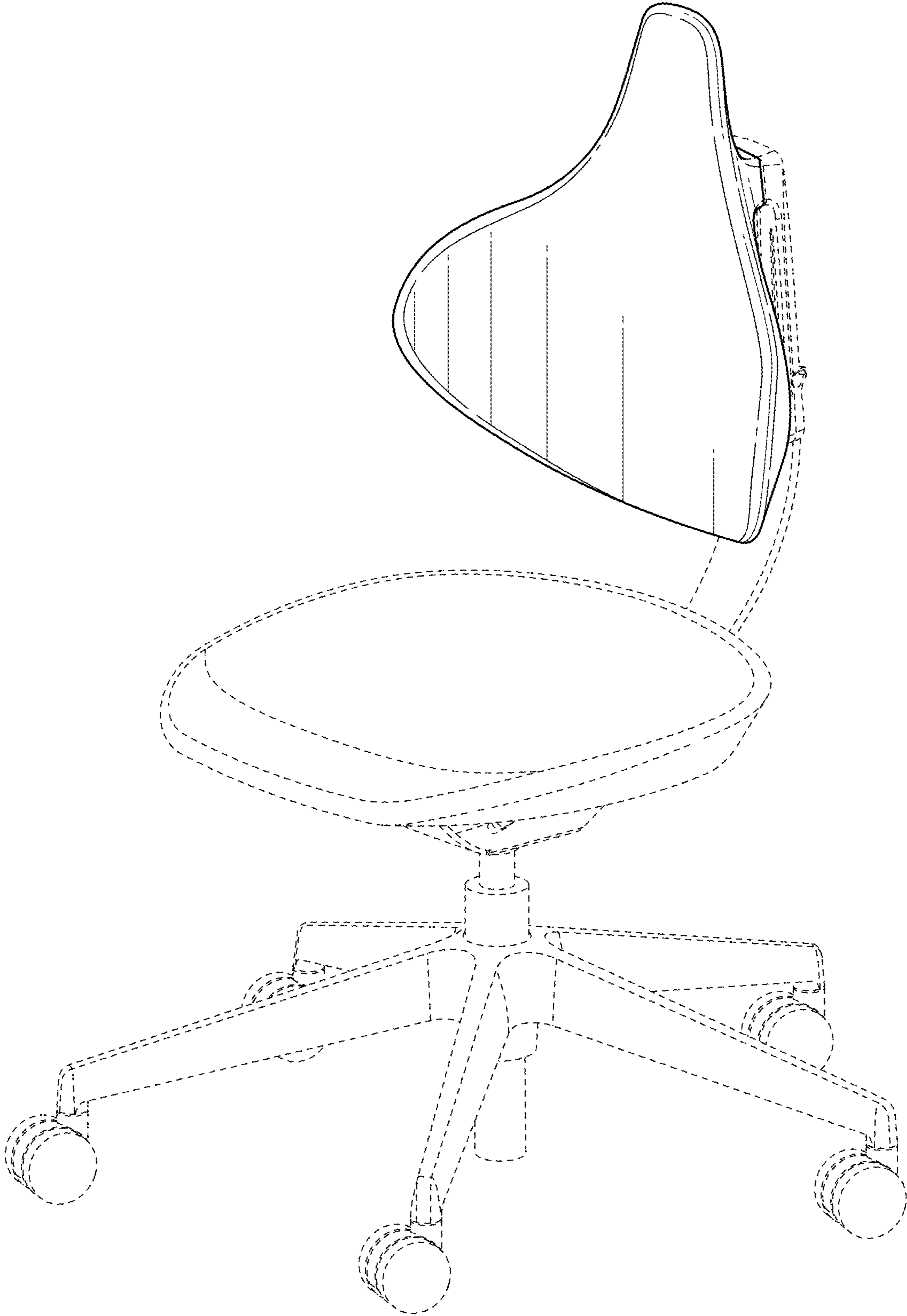


FIG. 1

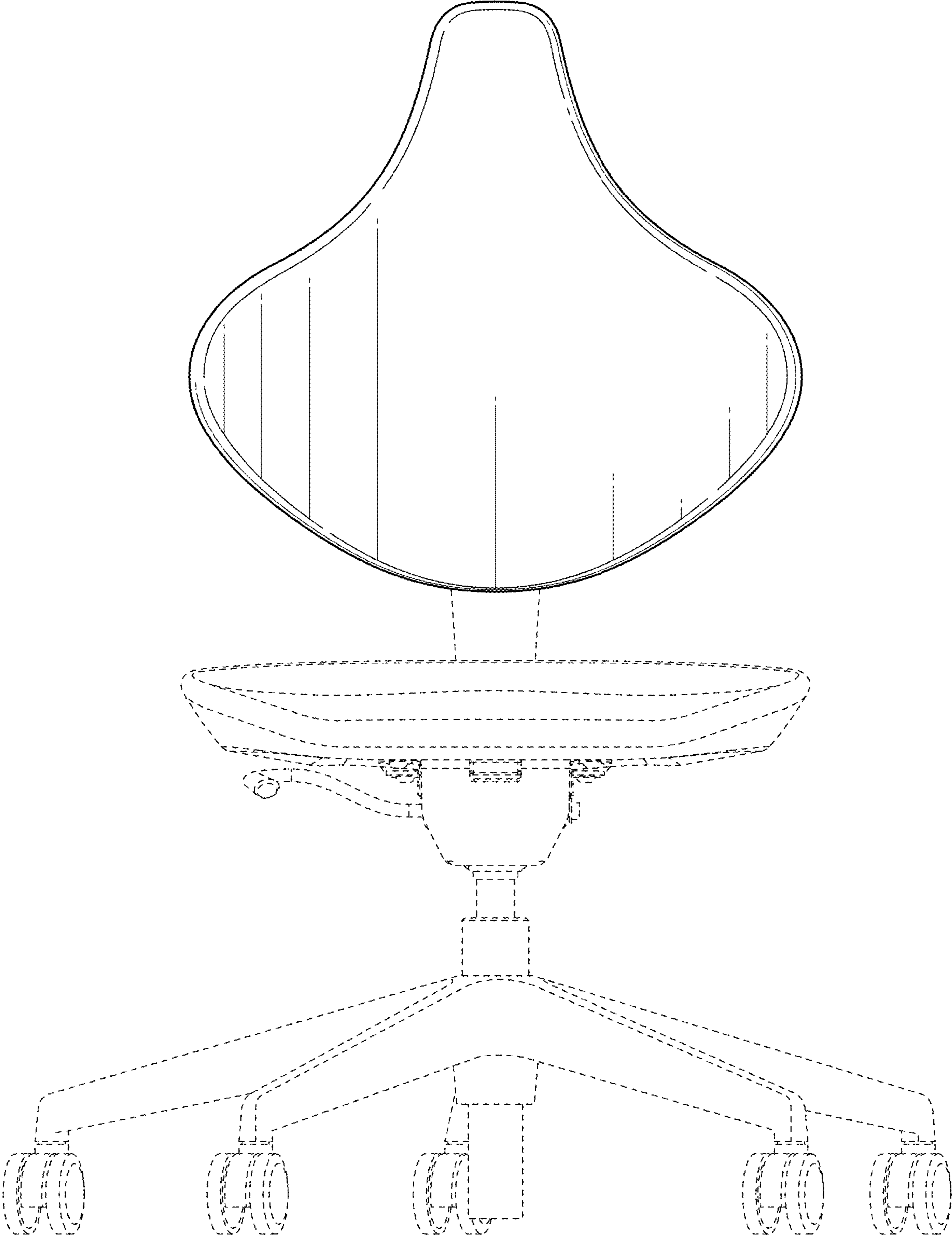


FIG. 2

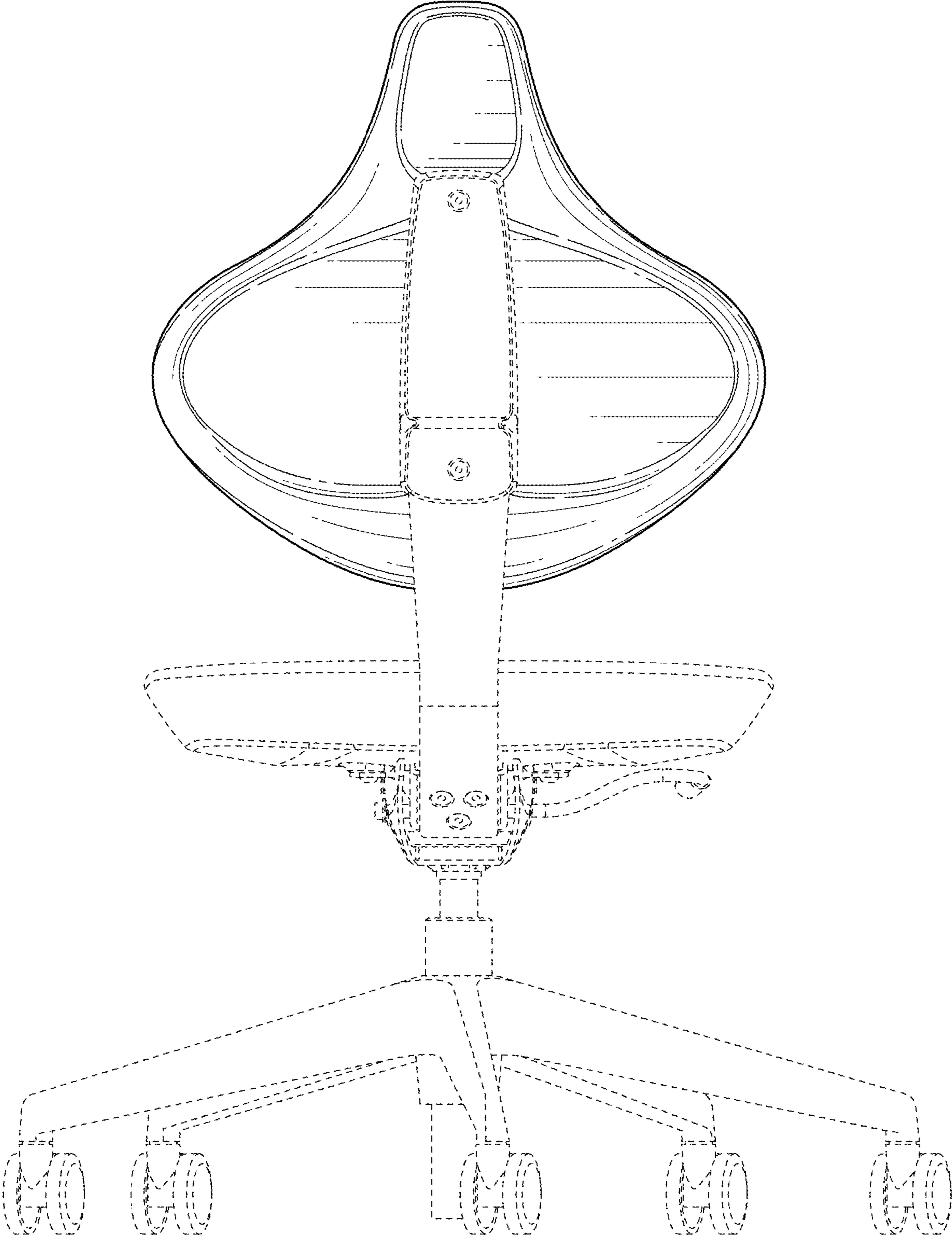


FIG. 3

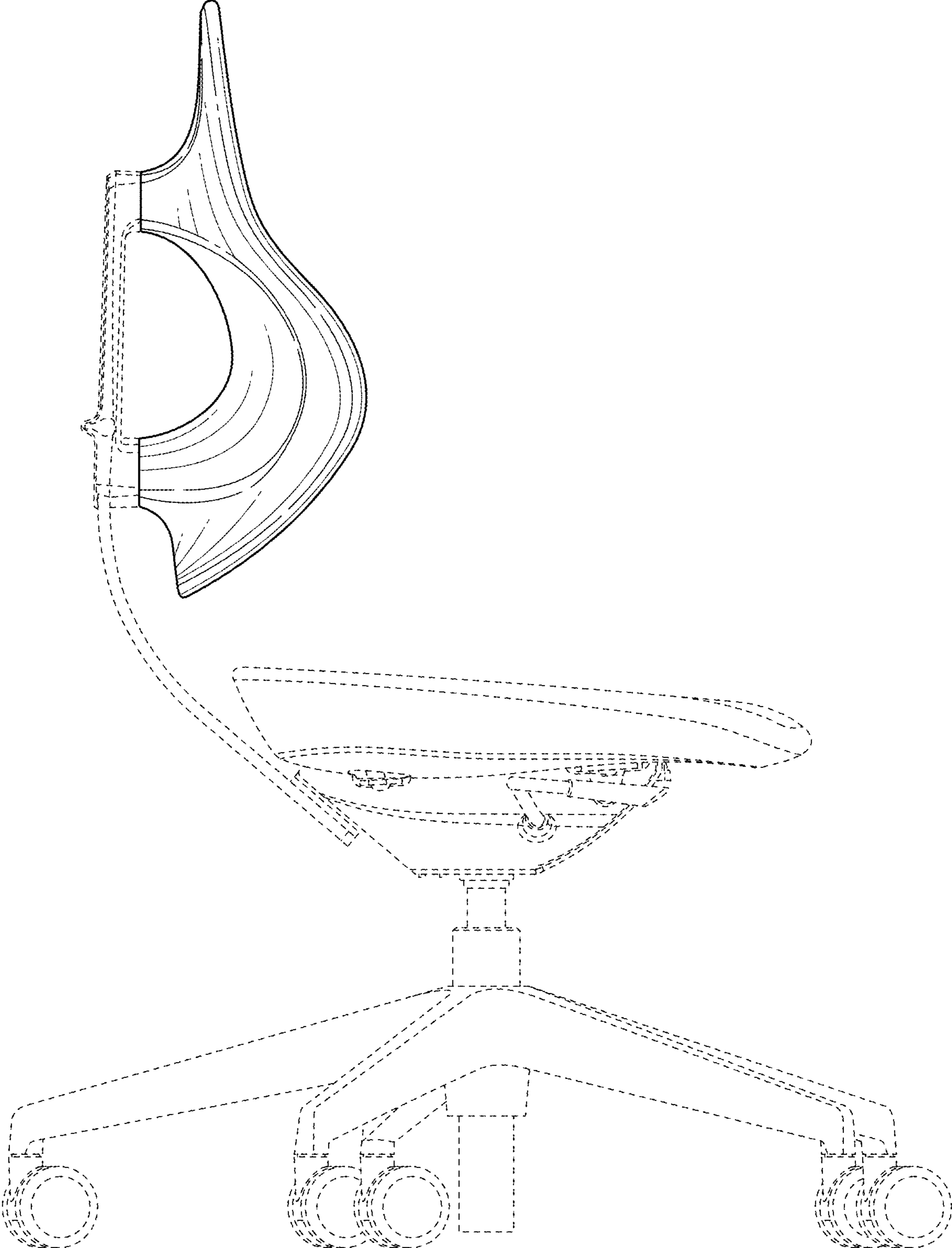


FIG. 4

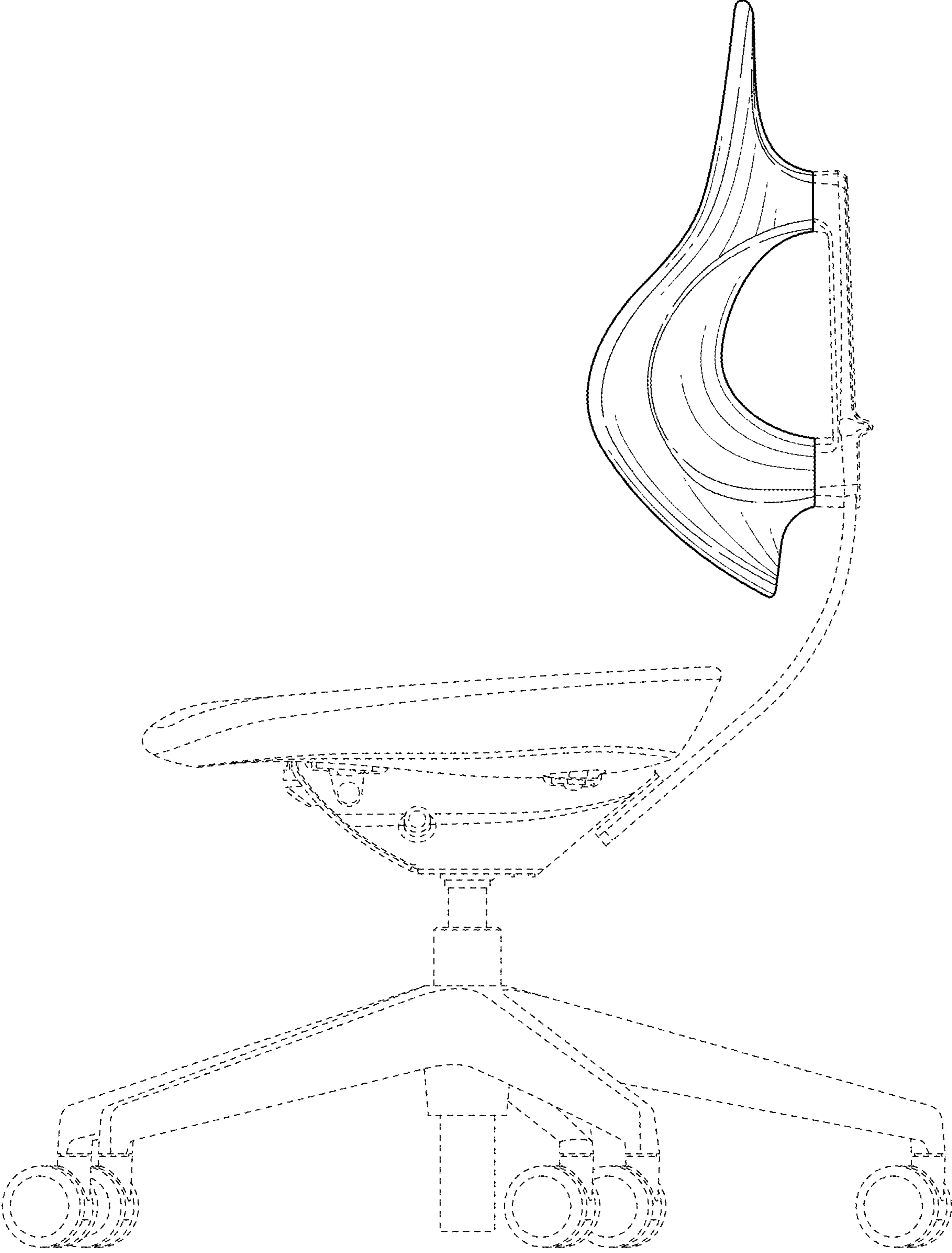


FIG. 5

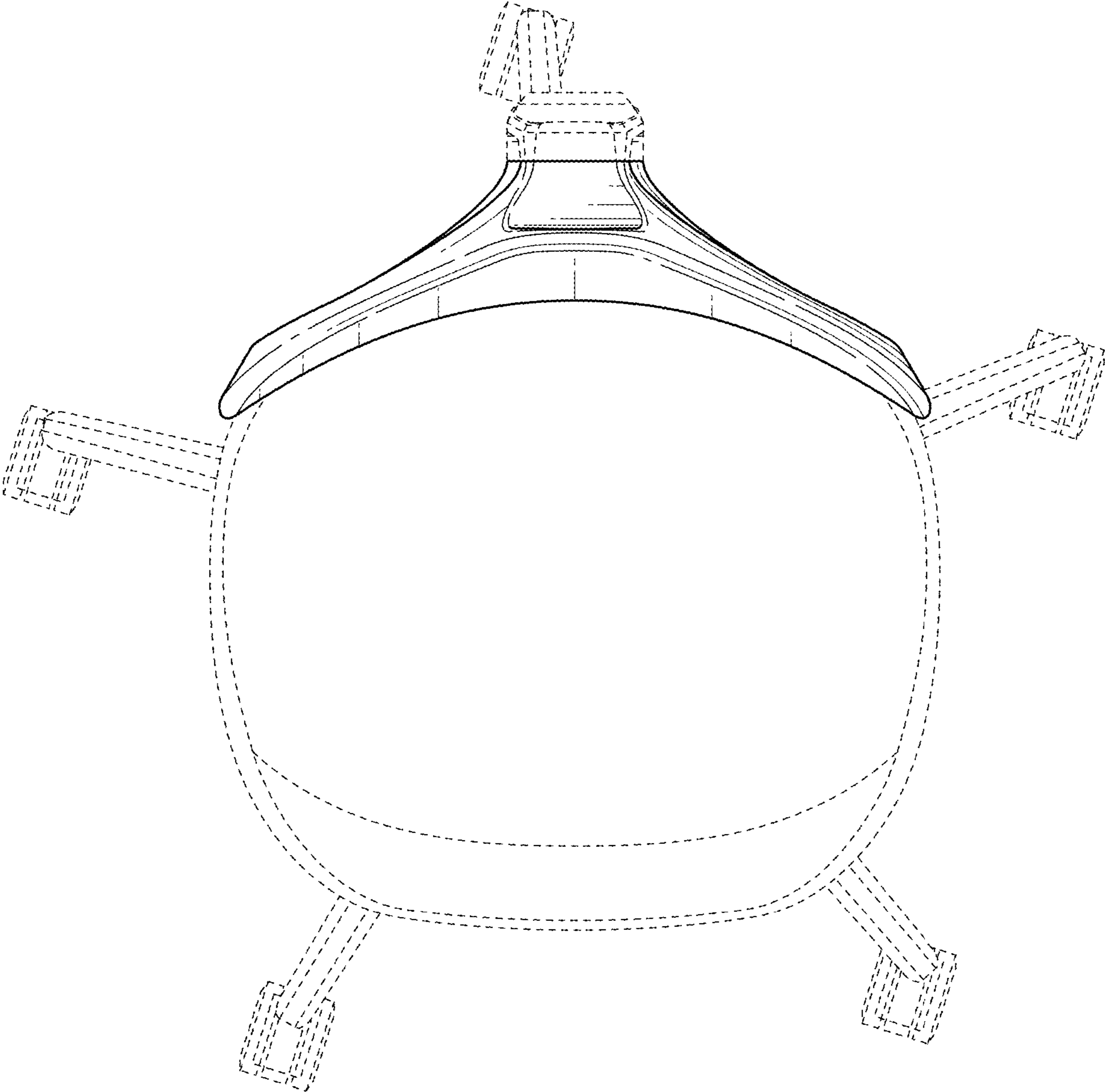


FIG. 6

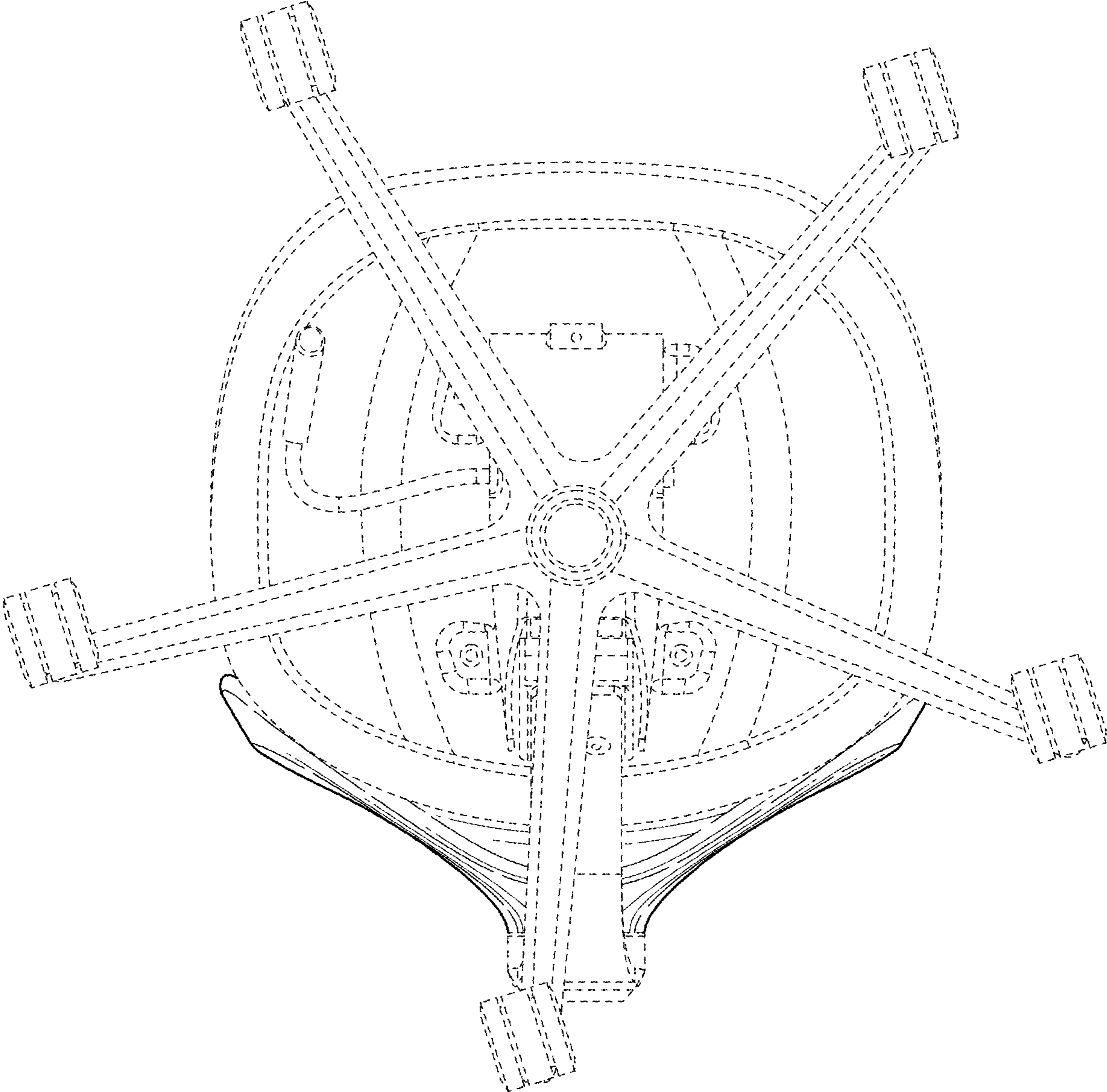


FIG. 7