



US00D953084S

(12) **United States Design Patent** (10) **Patent No.:** **US D953,084 S**
Krob et al. (45) **Date of Patent:** **** May 31, 2022**

(54) **OFFICE CHAIR**
(71) Applicant: **Andreas Krob**, Wolfhalden (CH)
(72) Inventors: **Andreas Krob**, Wolfhalden (CH);
Joachim Brüske, Berlin (DE)

D761,579 S * 7/2016 Lievore D6/366
D851,951 S * 6/2019 Wu D6/366
D856,695 S * 8/2019 Chen D6/366
D873,043 S * 1/2020 Su A47C 7/16
D6/366
2018/0027973 A1* 2/2018 Ludwig A47C 7/16

(**) Term: **15 Years**
(21) Appl. No.: **35/510,573**
(22) Filed: **Sep. 18, 2020**

(80) **Hague Agreement Data**
Int. Filing Date: **Sep. 18, 2020**
Int. Reg. No.: **DM/210671**
Int. Reg. Date: **Sep. 18, 2020**
Int. Reg. Pub. Date: **Oct. 16, 2020**

(51) **LOC (13) Cl.** **06-06**
(52) **U.S. Cl.**
USPC **D6/716**

(58) **Field of Classification Search**
USPC D6/334, 364-367, 374, 379, 716
CPC A47C 3/00; A47C 3/04; A47C 3/12; A47C
3/18; A47C 7/00; A47C 7/004; A47C
7/006; A47C 7/02; A47C 7/16; A47C
7/36; A47C 7/38; A47C 7/40; A47C
7/054
See application file for complete search history.

(56) **References Cited**
U.S. PATENT DOCUMENTS
D509,968 S * 9/2005 Zimmermann D6/366
D654,710 S * 2/2012 Fujita D6/366
D662,331 S * 6/2012 Czumaj-Bront D6/366

OTHER PUBLICATIONS

Cynara Spec Guide—Okamura, issued Nov. 2020 https://www.okamura.com/en_eu/products/categories/seating/task/cynara/ retrieved from the internet on Sep. 19, 2021.*
B_Side, Bene—INOVA Contracts, released 2017 <https://www.inovacontracts.co.za/product/b-side-1703> retrieved from the internet on Sep. 19, 2021.*

* cited by examiner

Primary Examiner — Mary Ann Calabrese

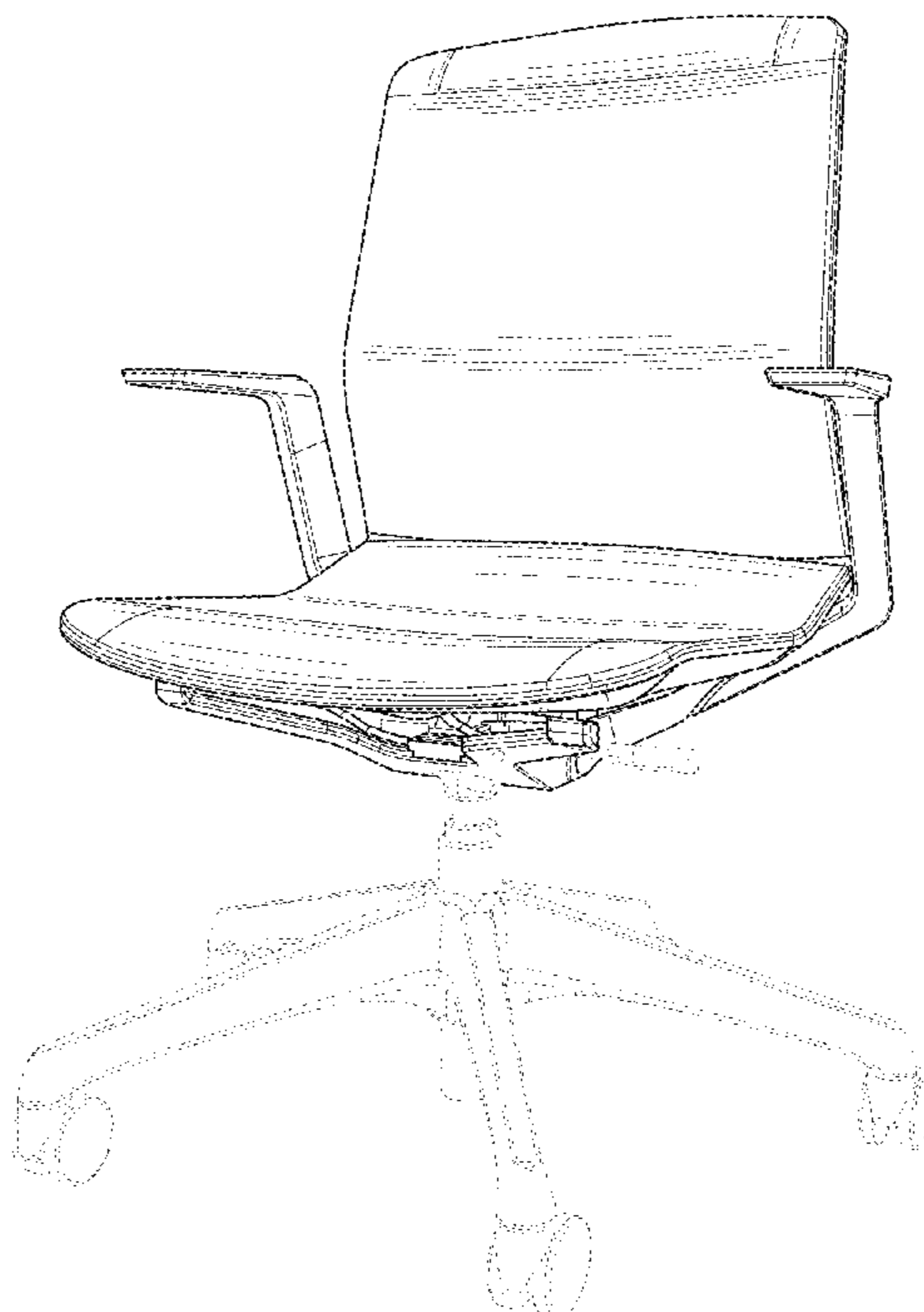
(57) **CLAIM**

The ornamental design for an office chair, as shown and described.

DESCRIPTION

1. Office chair
1.1 is a top view.
1.2 is a bottom view.
1.3 is a front view.
1.4 is a right side view.
1.5 is a left side view.
1.6 is a rear view.
1.7 is a front perspective view.
1.8 is a rear perspective view.
1.9 is a bottom perspective view.
The broken lines illustrate portions of the office chair that form no part of the claimed design.

1 Claim, 9 Drawing Sheets



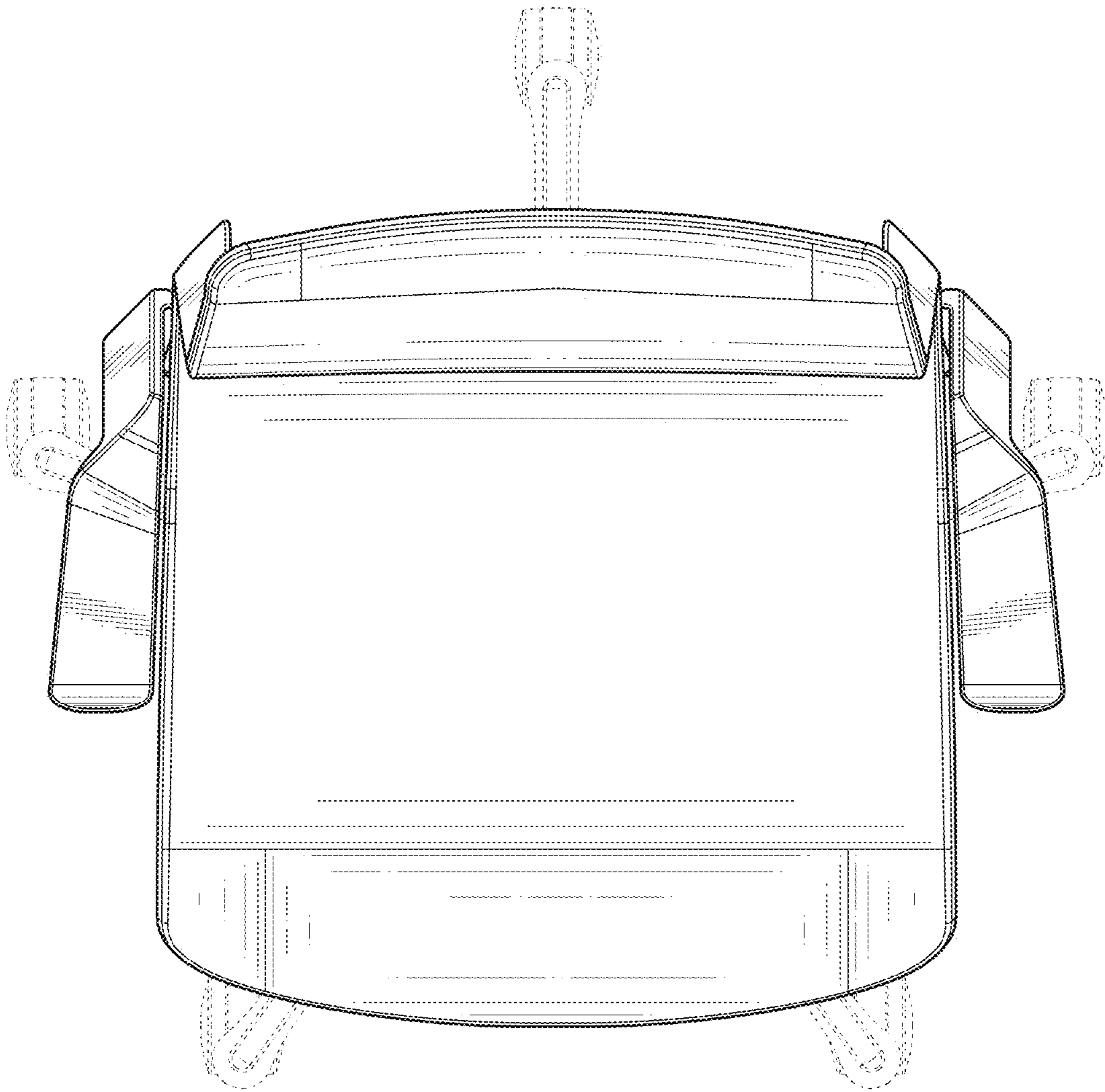


FIG. 1.1

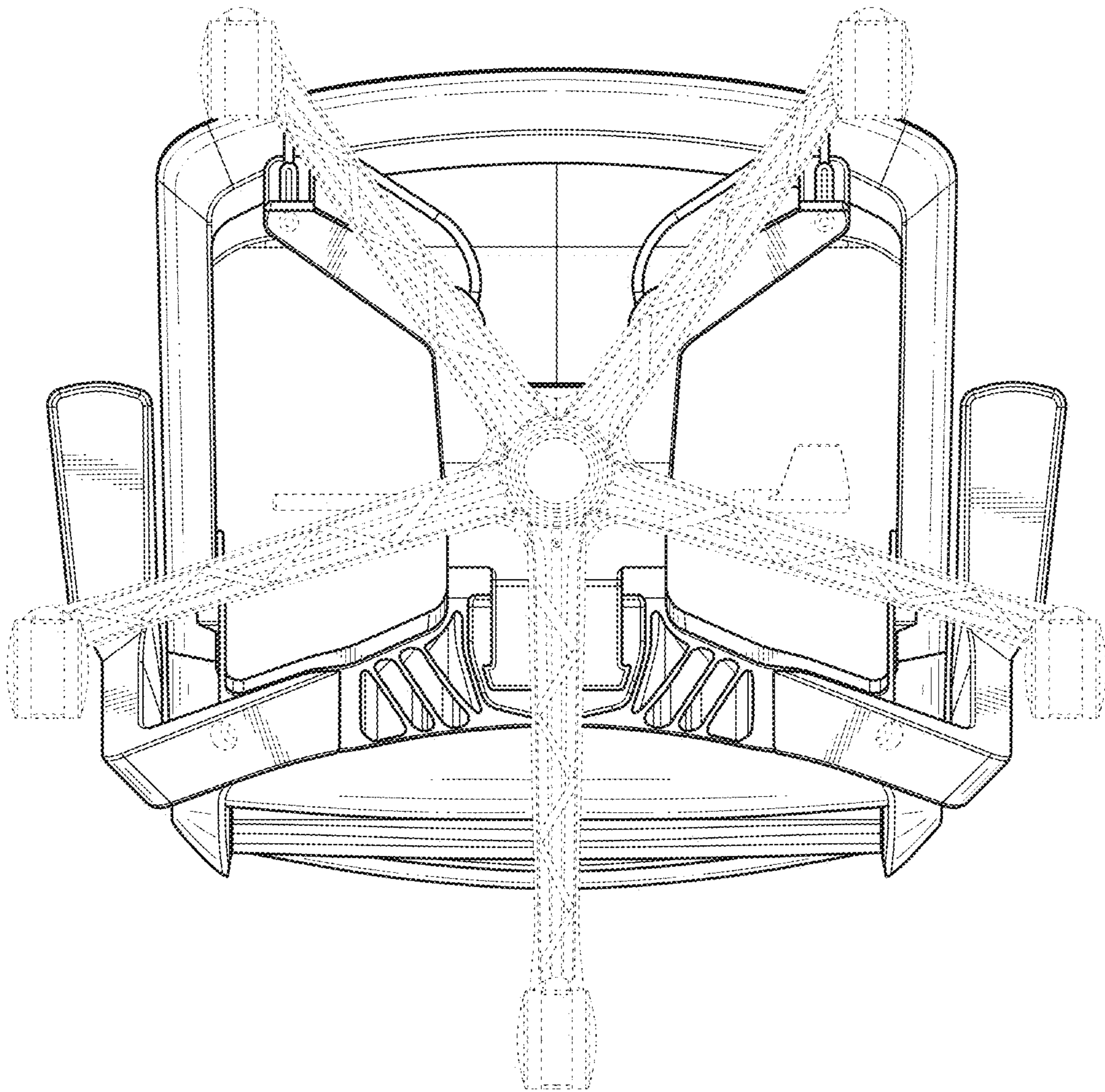


FIG. 1.2

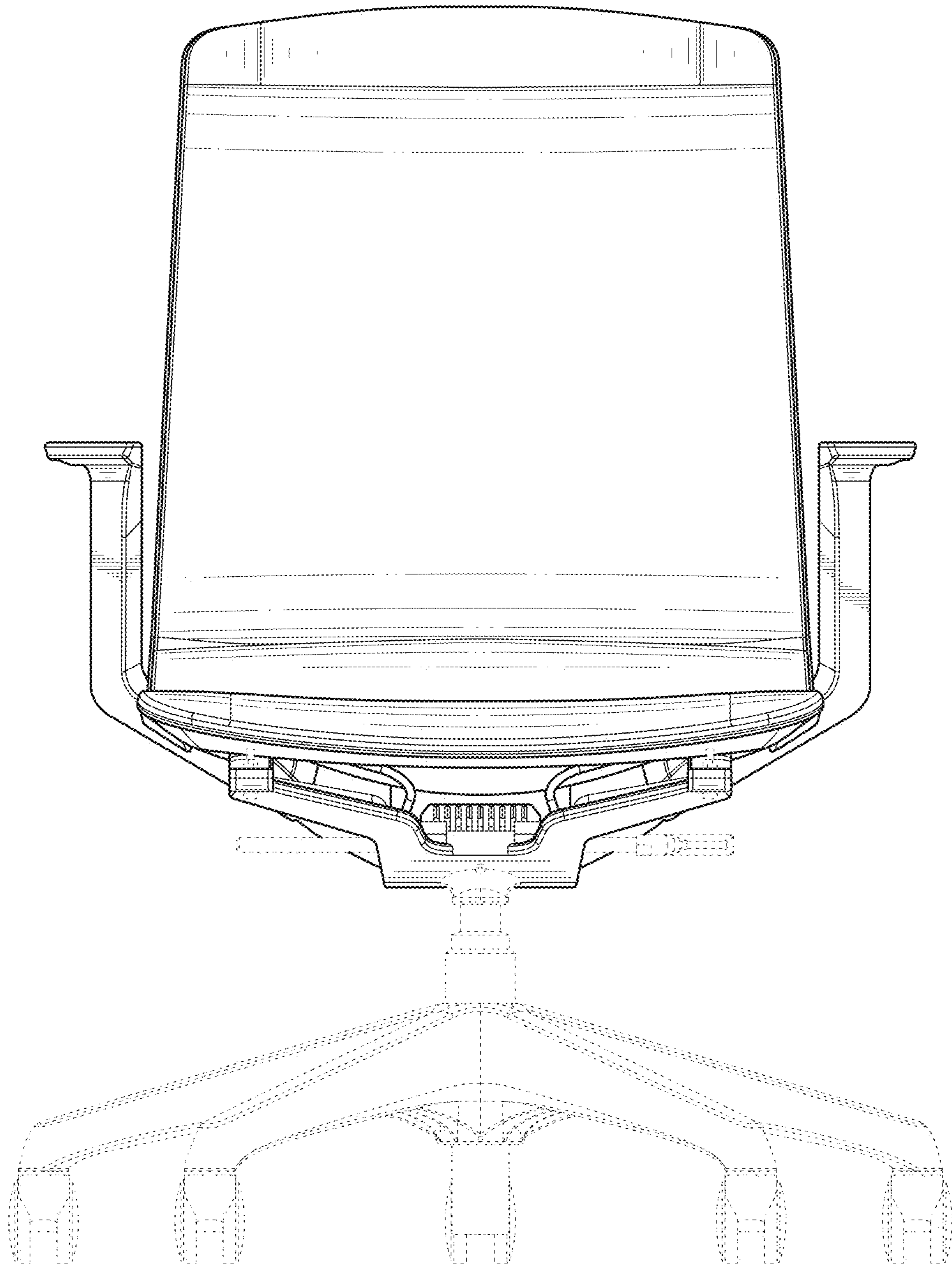


FIG. 1.3

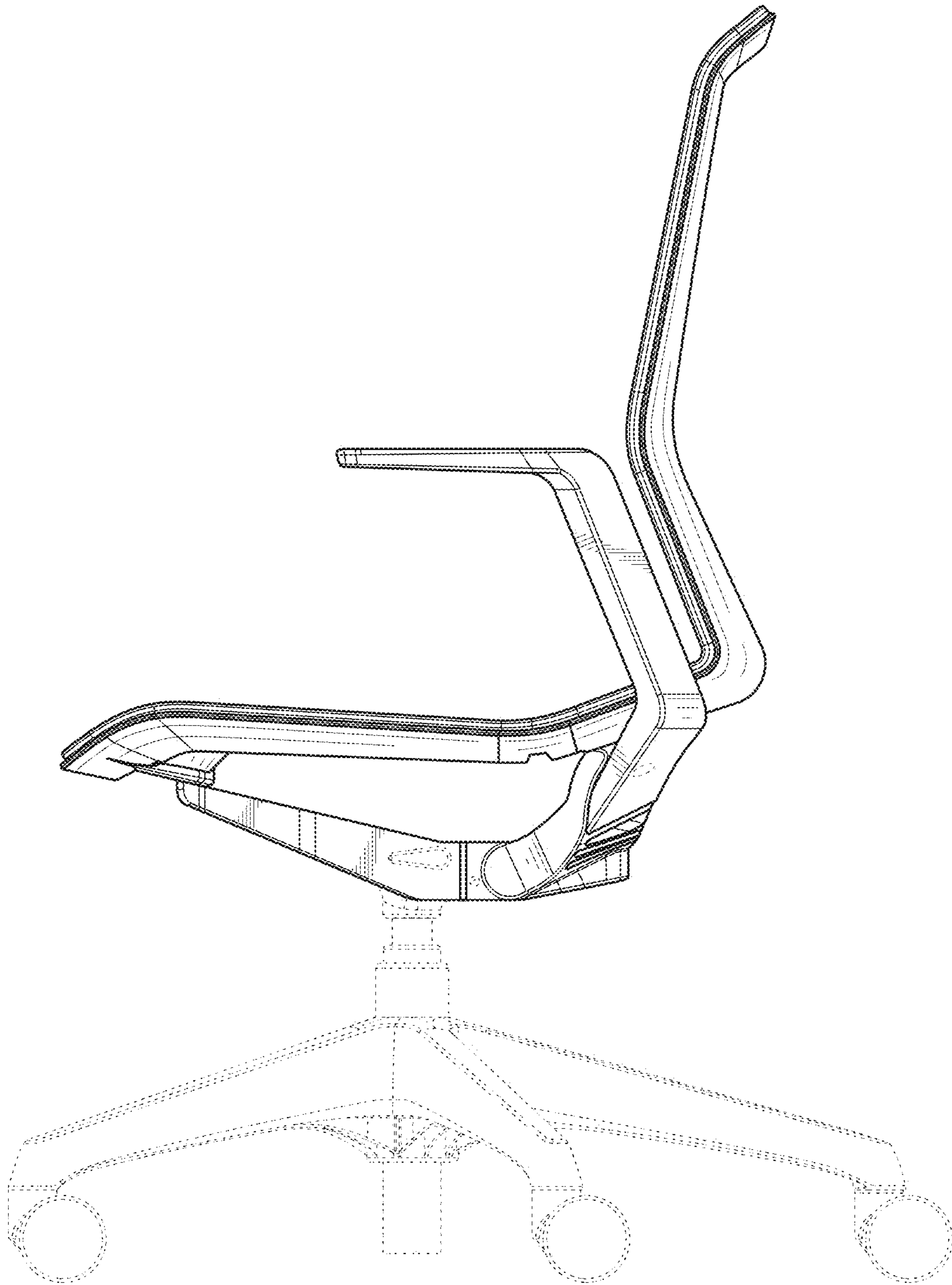


FIG. 1.4

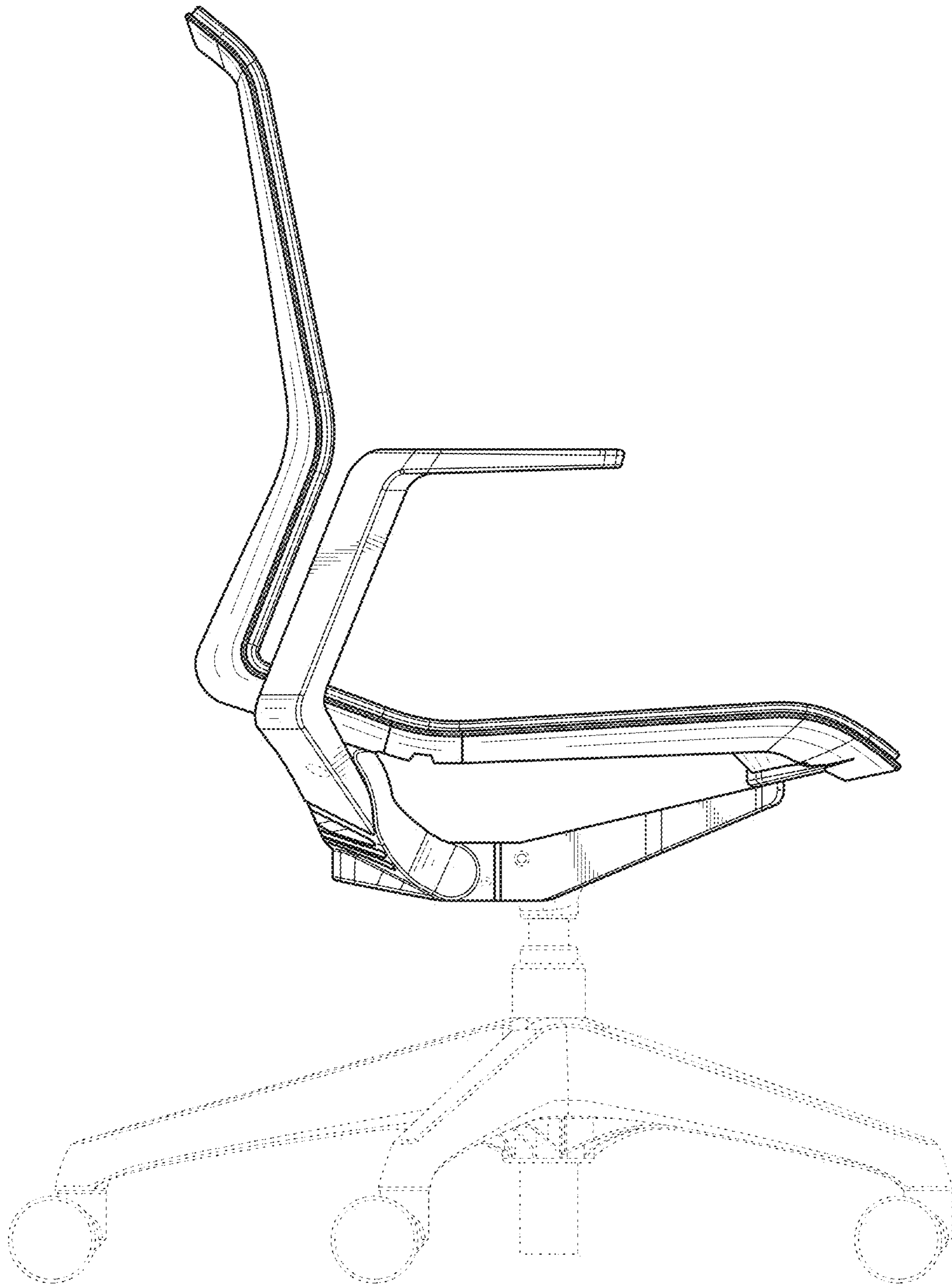


FIG. 1.5

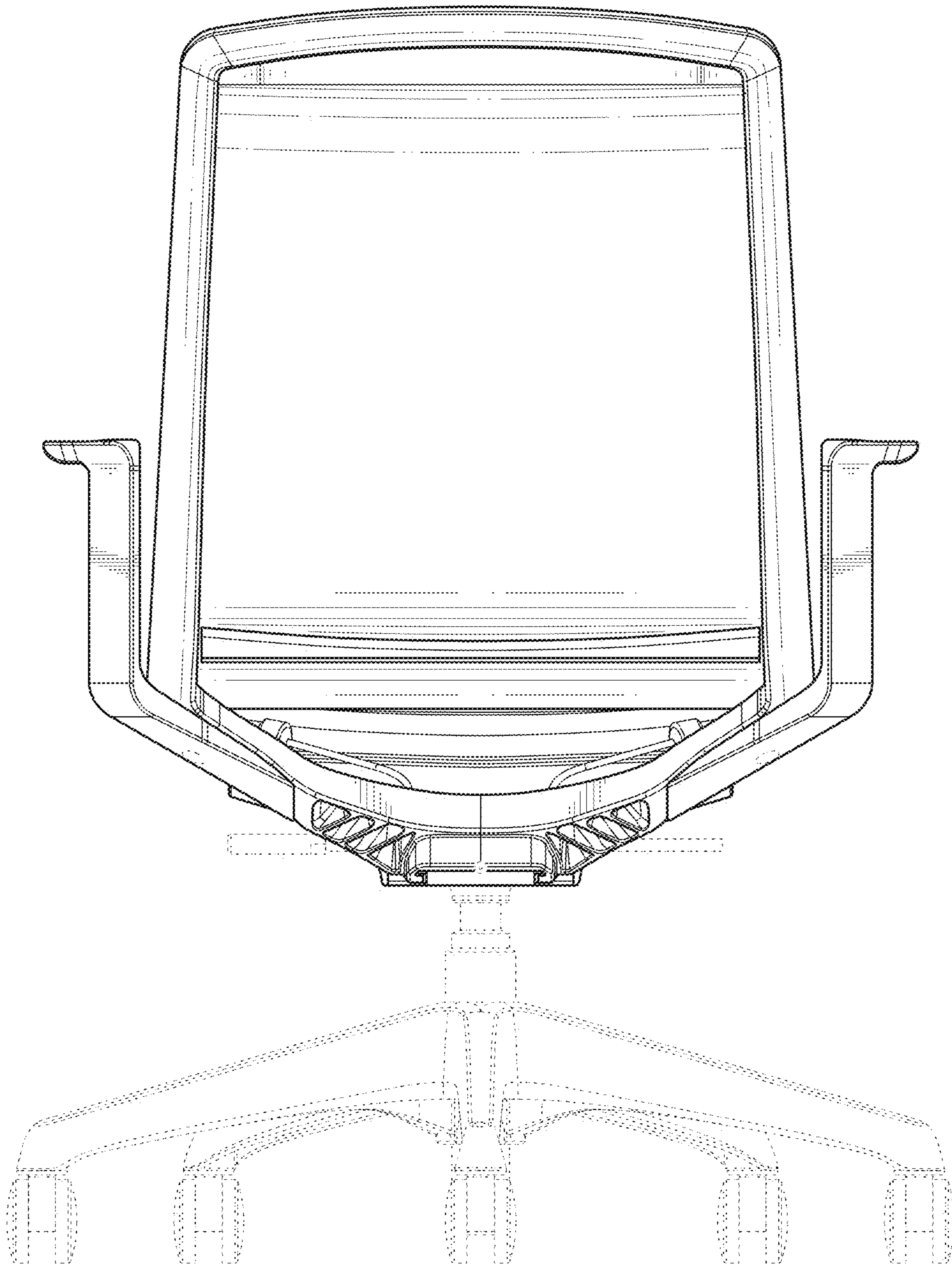


FIG. 1.6

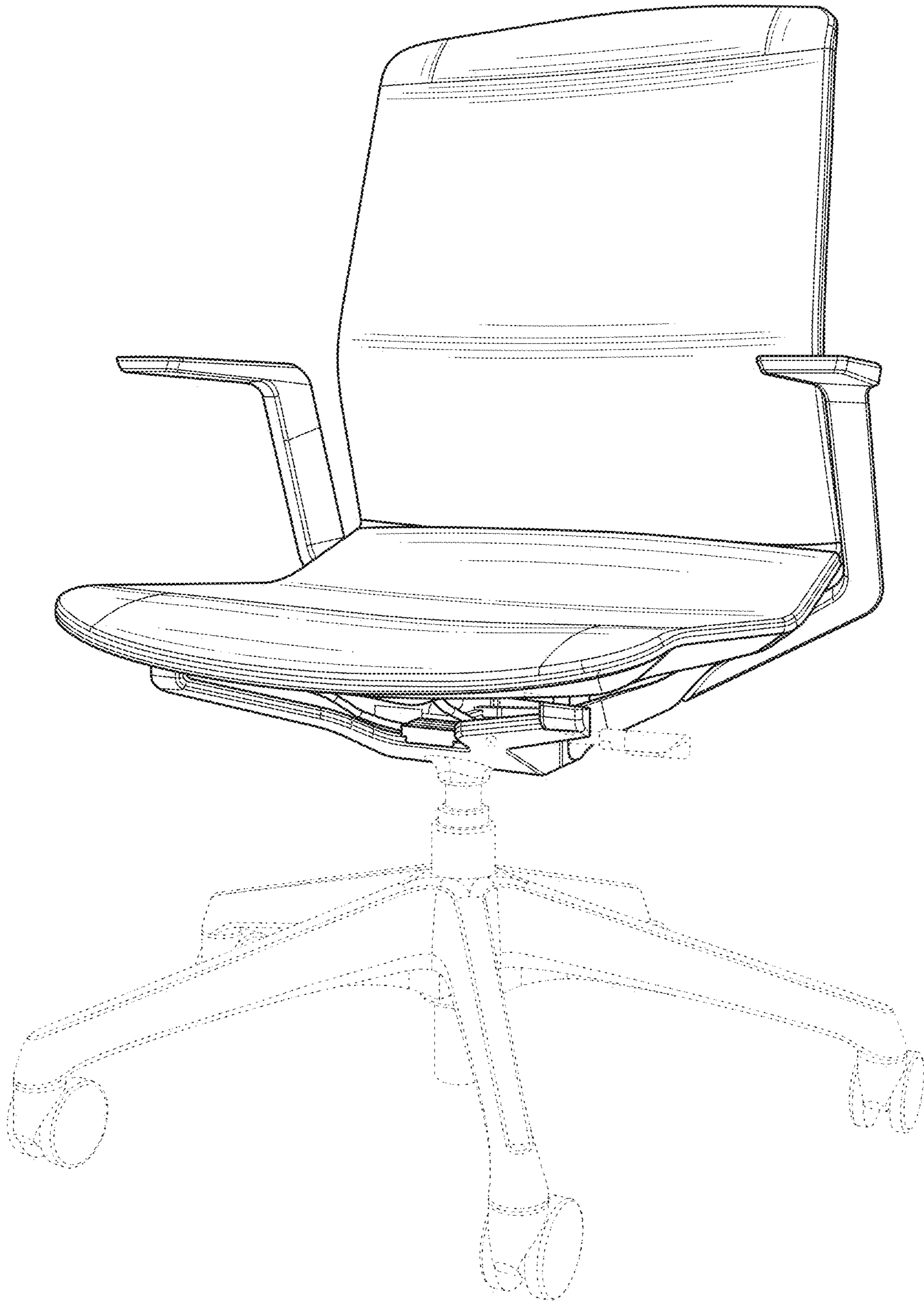


FIG.1.7

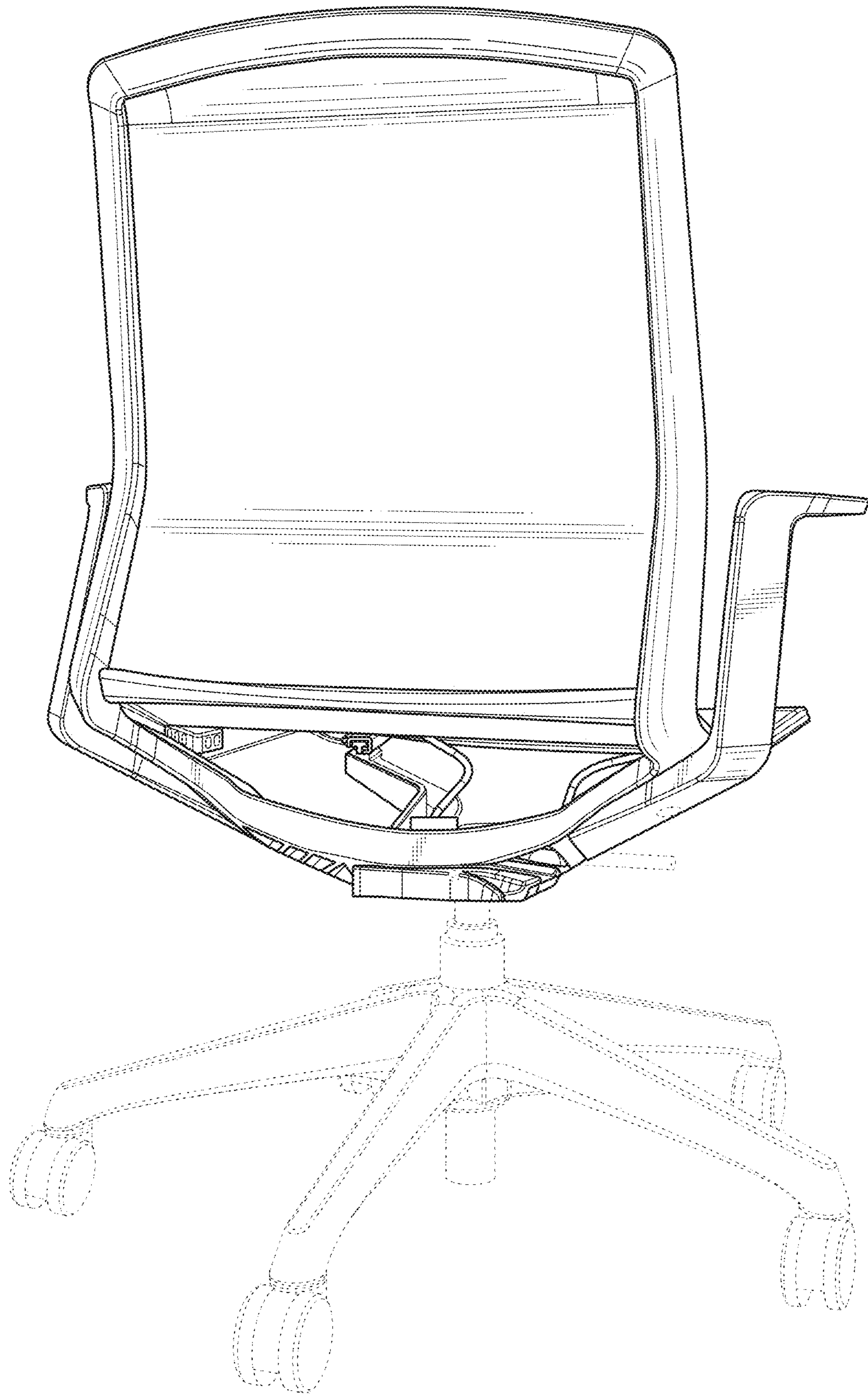


FIG. 1.8

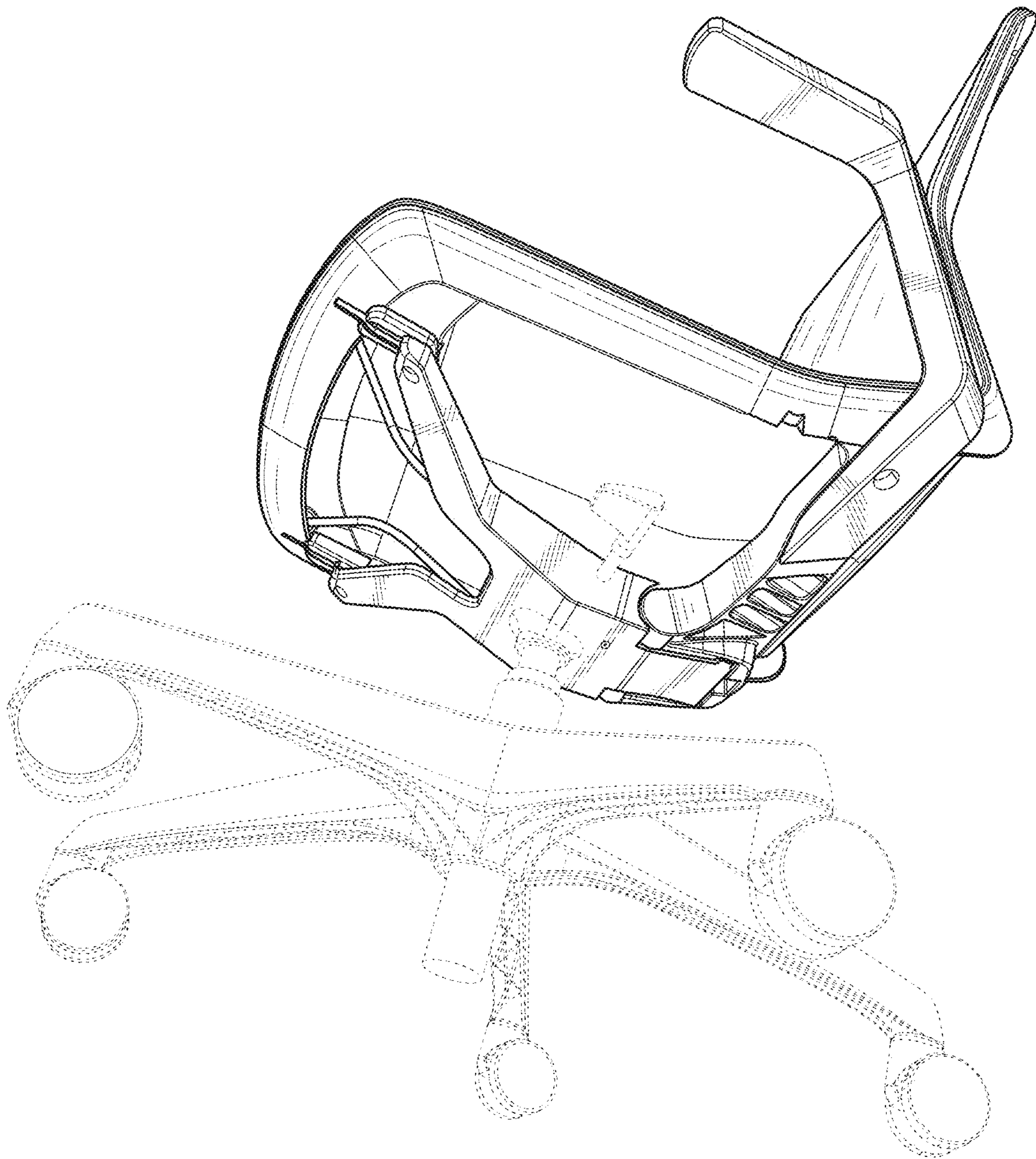


FIG. 1.9