



US00D953083S

(12) **United States Design Patent** (10) **Patent No.:** **US D953,083 S**
Beck (45) **Date of Patent:** **** May 31, 2022**

(54) **UNDER CABINET/SHELF STORAGE RACK**

(71) Applicant: **Ronald Beck**, Rockledge, FL (US)
(72) Inventor: **Ronald Beck**, Rockledge, FL (US)
(**) Term: **15 Years**
(21) Appl. No.: **29/699,615**
(22) Filed: **Jul. 26, 2019**

Related U.S. Application Data

(63) Continuation-in-part of application No. 15/885,002, filed on Jan. 31, 2018.
(51) **LOC (13) Cl.** **06-06**
(52) **U.S. Cl.**
USPC **D6/705**
(58) **Field of Classification Search**
USPC D6/653, 655, 657, 672, 675, 681, 681.2, D6/704-705, 513
CPC A47B 13/02; A47B 23/04; A47B 43/003; A47B 81/00; A47B 88/40; A47B 2008/401; A47B 88/407; A47B 96/02; A47B 96/06
See application file for complete search history.

(56) **References Cited**

U.S. PATENT DOCUMENTS

876,159 A 1/1908 Erickson
1,247,367 A 11/1917 Burchell
2,081,788 A 5/1937 Bottum
(Continued)

FOREIGN PATENT DOCUMENTS

CN 201277789 7/2008
CN 104165493 11/2014
(Continued)

OTHER PUBLICATIONS

Beck, Ronald; PCT/US19/45621, filed Aug. 8, 2019, Notification of Transmittal of the International Search Report and the Written Opinion of the International Search Authority, or the Declaration dated Dec. 23, 2019, 24 pages.

Primary Examiner — Kelley A Donnelly

(74) *Attorney, Agent, or Firm* — Brian S. Steinberger; Hilary F. Steinberger; Law Offices of Brian S. Steinberger, P.A.

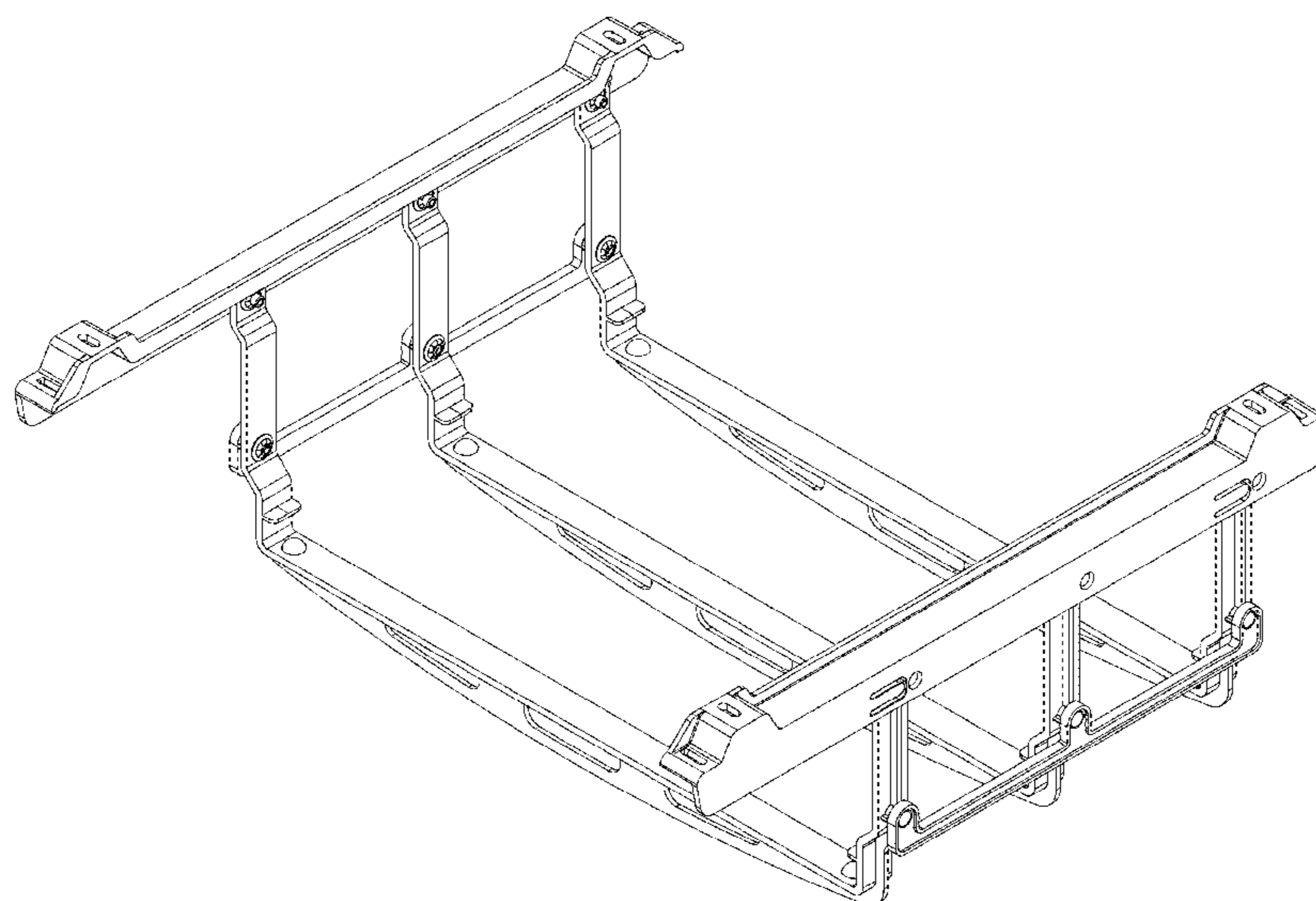
(57) **CLAIM**

The ornamental design new ornamental design for a novel under cabinet/shelf storage rack, as shown and described.

DESCRIPTION

FIG. 1 is an upper front right perspective view of the under cabinet/shelf storage rack.
FIG. 2 is a lower front left perspective view of the rack of FIG. 1.
FIG. 3 is a left side view of the rack of FIG. 1.
FIG. 4 is a right side view of the rack of FIG. 1.
FIG. 5 is a front view of the rack of FIG. 1.
FIG. 6 is a rear view of the rack of FIG. 1.
FIG. 7 is a top view of the rack of FIG. 1.
FIG. 8 is a bottom side view of the rack of FIG. 1.
FIG. 9 is an upper front left perspective view of the rack of FIG. 1 with a box thereon.
FIG. 10 is another upper front left perspective view of the rack of FIG. 1 with boxes thereon.
FIG. 11 is another upper front left perspective view of still another embodiment of the under cabinet/shelf storage rack.
FIG. 12 is another upper front left perspective view of still another embodiment of the under cabinet/shelf storage rack with hook clamps; and,
FIG. 13 is still another upper front left perspective view of the cabinet/shelf storage rack with hook clamps of FIG. 12. The broken lines in FIGS. 9-10, and 13 are for illustrative purposes and form no part of the claimed design.

1 Claim, 10 Drawing Sheets



(56)

References Cited

U.S. PATENT DOCUMENTS

2,640,599 A 6/1953 Hess
 2,667,396 A 1/1954 Liggett
 2,744,805 A 5/1956 McMahan
 3,857,623 A 12/1974 Schneller
 3,923,277 A 12/1975 Perrault et al.
 D255,242 S * 6/1980 Berman D15/89
 4,254,881 A 3/1981 Hard
 D264,406 S 5/1982 Arnott
 D273,446 S 4/1984 Rankin et al.
 4,460,145 A 7/1984 Ando
 4,482,066 A 11/1984 Dykstra
 4,485,928 A 12/1984 Staashelm
 4,998,631 A 3/1991 Fridjhon
 5,086,936 A * 2/1992 Remmers A47B 67/04
 211/126.15
 5,294,087 A 3/1994 Drabczyk et al.
 5,308,158 A 5/1994 Vogelgesang et al.
 5,329,865 A 7/1994 McWard
 D376,299 S 12/1996 Audet
 D379,889 S 6/1997 McArdle
 5,727,750 A 3/1998 Kelly
 5,871,107 A 2/1999 Johnson et al.
 D406,972 S 3/1999 McCoy
 6,148,813 A 11/2000 Barnes et al.
 6,308,837 B1 10/2001 Bragg et al.
 D504,585 S 5/2005 Rafoth et al.
 6,913,164 B2 7/2005 Duquette
 6,938,866 B2 9/2005 Kirchhoff
 D557,957 S * 12/2007 Hwang D6/705
 D634,992 S 3/2011 McNamee
 8,136,897 B2 3/2012 Mascari
 D680,361 S * 4/2013 Zobel D6/705
 D686,429 S * 7/2013 Kampl D6/705
 8,727,457 B2 5/2014 Marshall et al.
 8,851,306 B2 10/2014 Spurr et al.
 9,016,811 B2 4/2015 Raunikar
 9,217,602 B2 12/2015 Lee et al.
 D756,145 S * 5/2016 Davis D6/513
 D763,024 S * 8/2016 Hsu D6/683.1

10,182,654 B2 * 1/2019 Chen A47B 88/427
 2002/0084395 A1 7/2002 Johnson
 2003/0019975 A1 1/2003 Delfino
 2003/0080073 A1 5/2003 Huang et al.
 2004/0140744 A1 7/2004 Kalieta et al.
 2004/0207305 A1 10/2004 Kim et al.
 2005/0103674 A1 5/2005 Matheou
 2005/0206282 A1 9/2005 Walburn
 2006/0125362 A1 6/2006 Kim
 2006/0266905 A1 11/2006 Becke
 2007/0095768 A1 5/2007 Huo
 2009/0058247 A1 3/2009 Collins et al.
 2009/0071921 A1 3/2009 Harwin
 2010/0066227 A1 3/2010 Ramm et al.
 2011/0215198 A1 9/2011 Panzram et al.
 2012/0037051 A1 2/2012 Wang et al.
 2014/0061143 A1 * 3/2014 Hu A47B 88/40
 211/133.5
 2015/0035423 A1 2/2015 Raunikar
 2015/0300728 A1 10/2015 Kim et al.
 2016/0143485 A1 5/2016 Rinck et al.
 2016/0146532 A1 5/2016 Choo et al.
 2016/0345730 A1 * 12/2016 Lim A47B 96/07
 2019/0339002 A1 11/2019 Beck
 2021/0037970 A1 * 2/2021 Dunseath B25H 3/00
 2021/0076821 A1 * 3/2021 Frank A47B 88/941
 2021/0079726 A1 * 3/2021 Chiao A47B 45/00

FOREIGN PATENT DOCUMENTS

DE 19631374 2/1998
 DE 102010039618 2/2012
 DE 102013015463 A1 2/2015
 DE 102014106432 A1 11/2015
 EP 1088498 A2 4/2001
 FI 35851 A 1/1967
 FR 2652248 9/1989
 WO 199805910 2/1998
 WO 2009083354 A2 7/2009
 WO 2016029592 A1 3/2016

* cited by examiner

FIG. 1

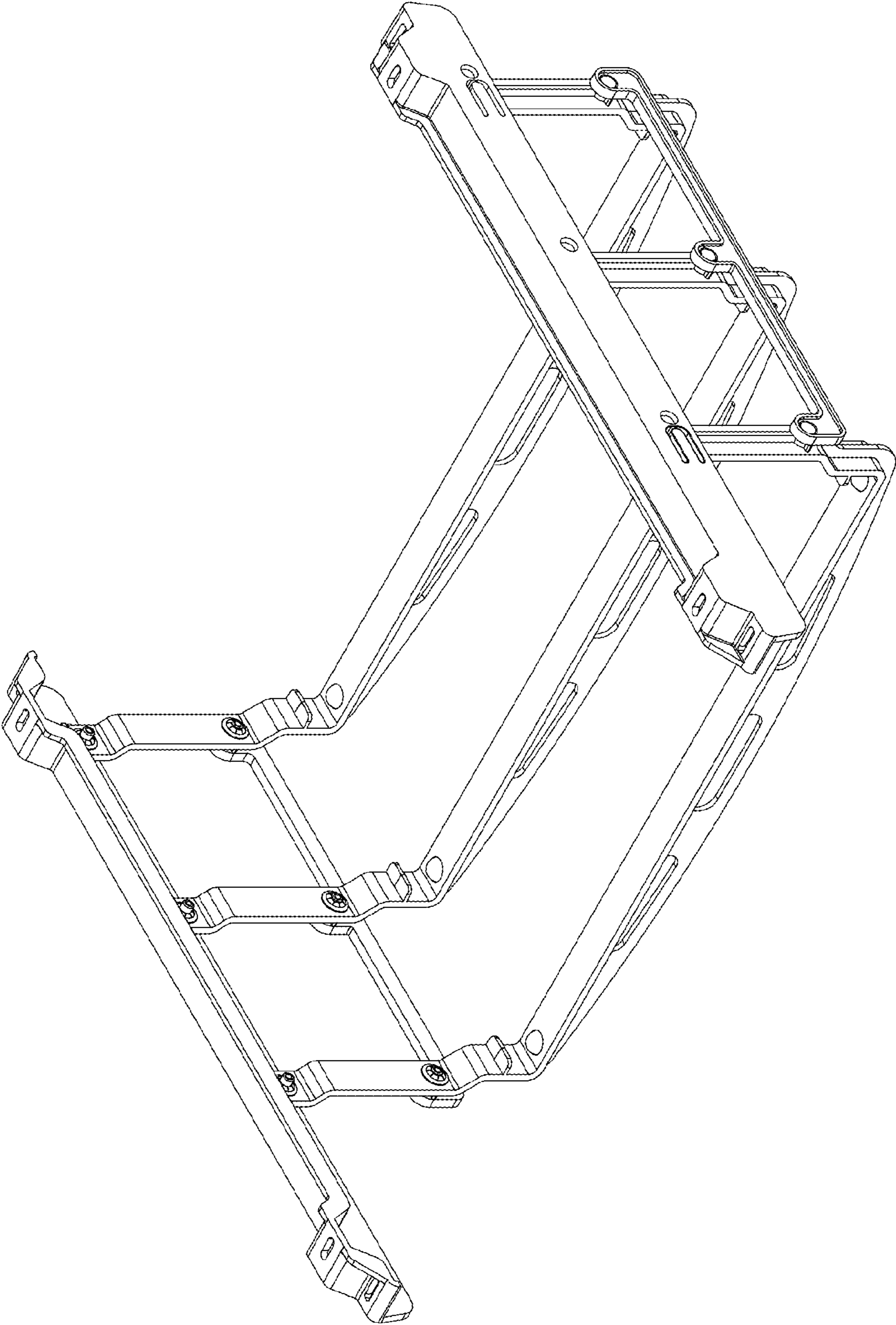


FIG. 2

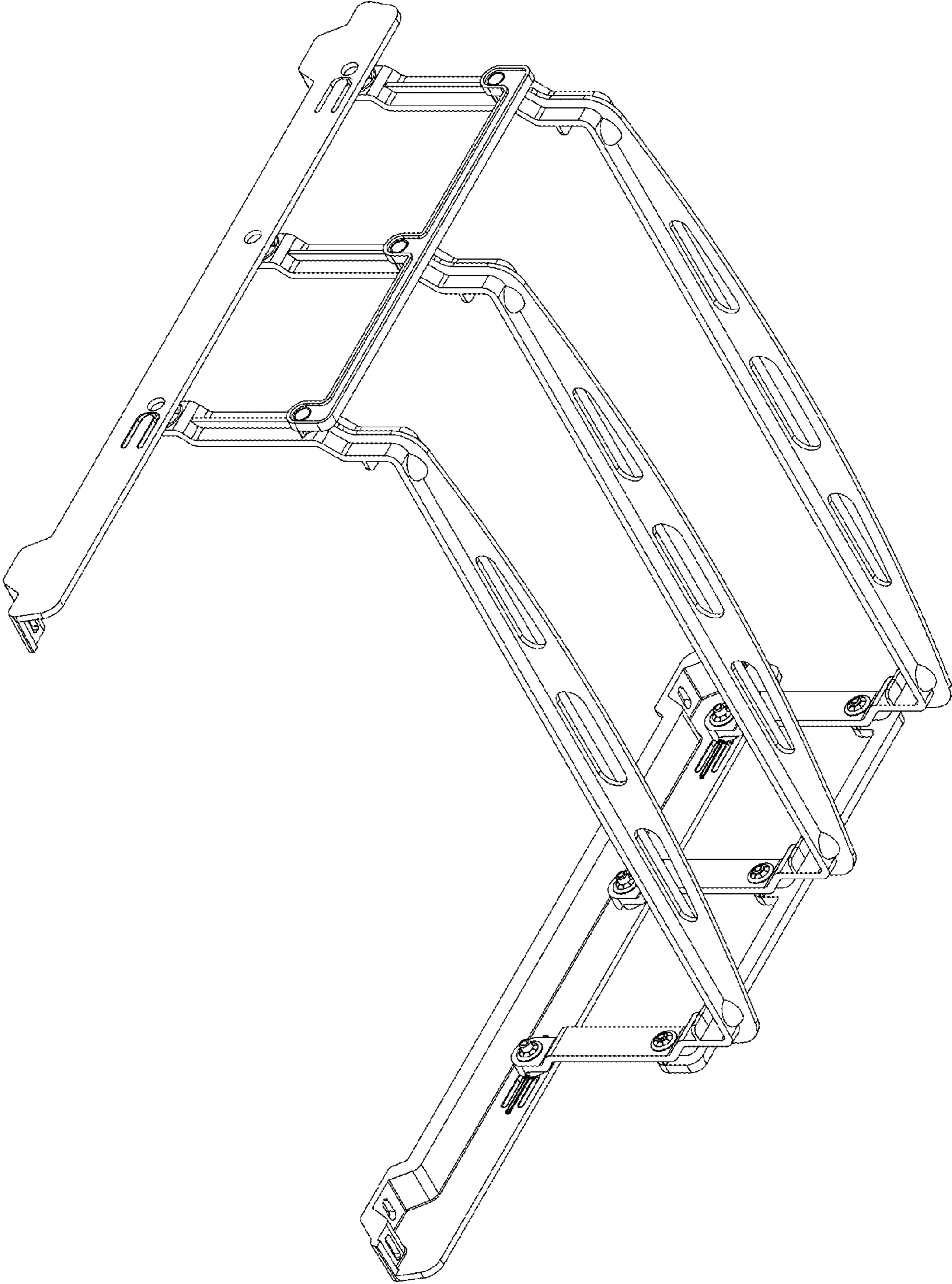


FIG. 3

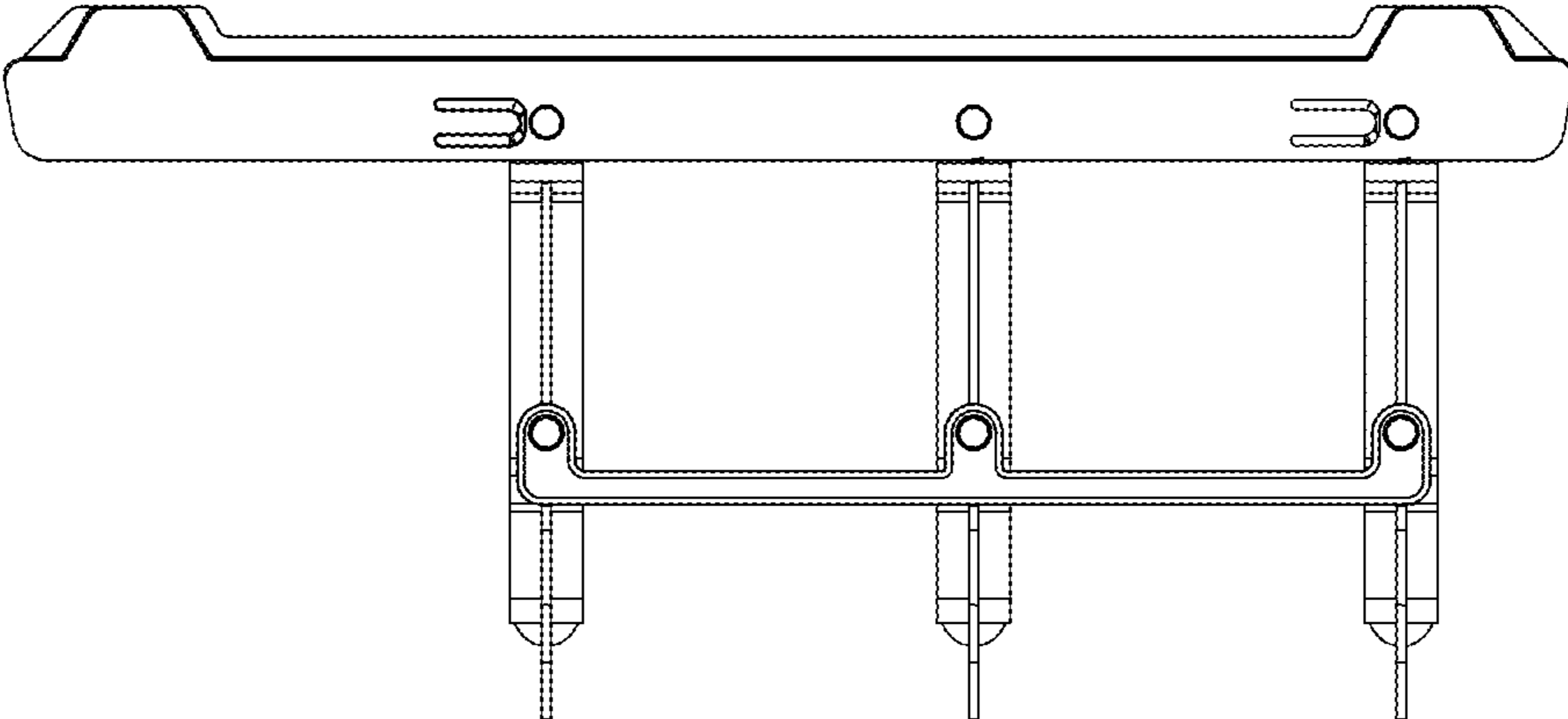


FIG. 4

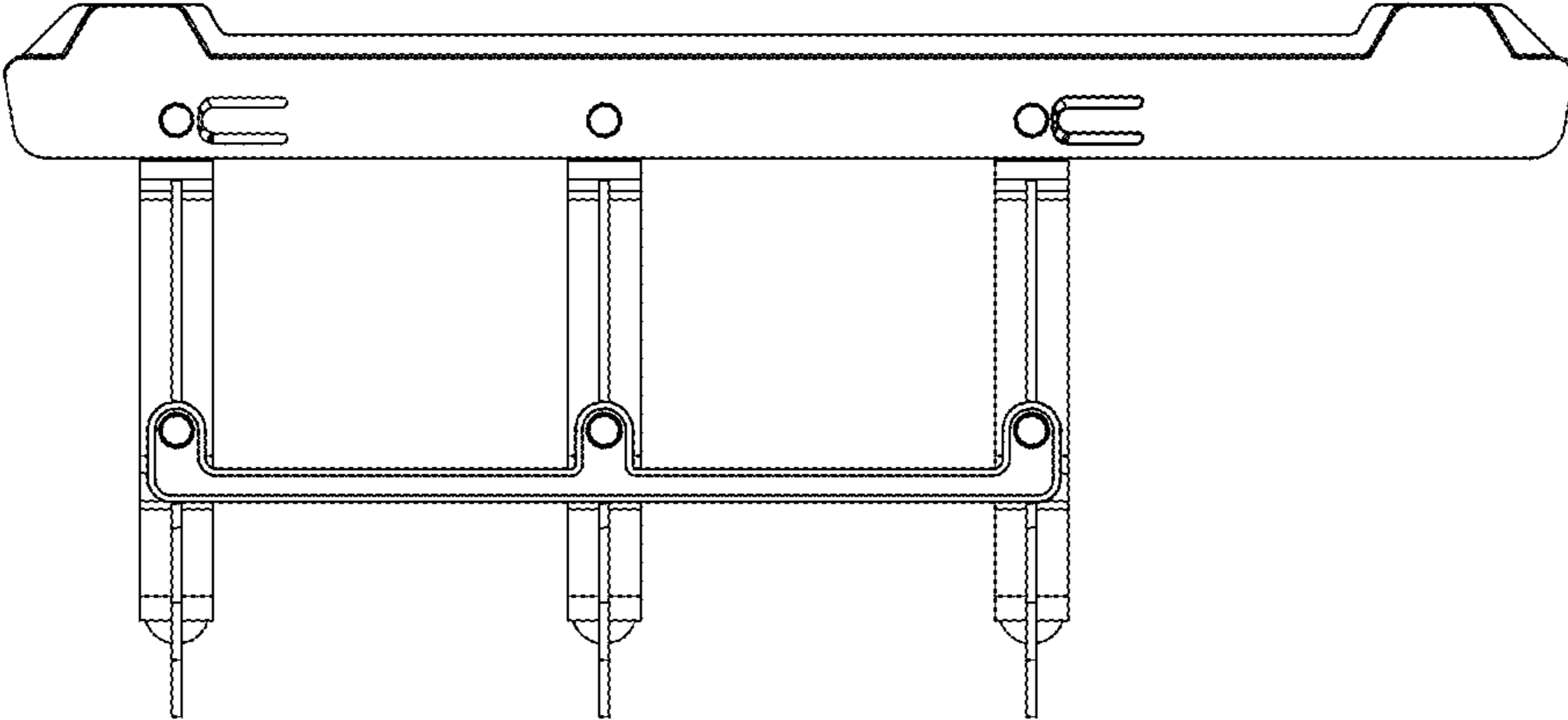


FIG. 5

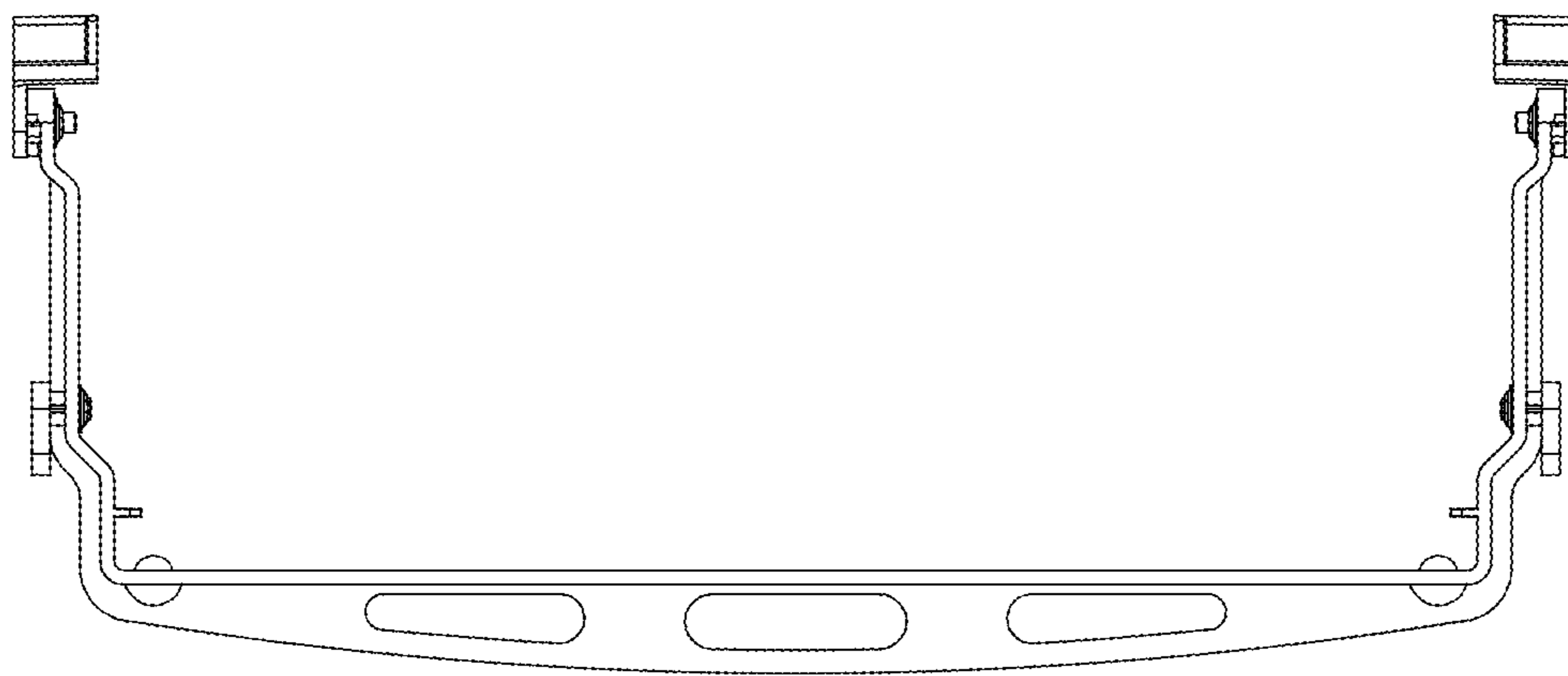


FIG. 6

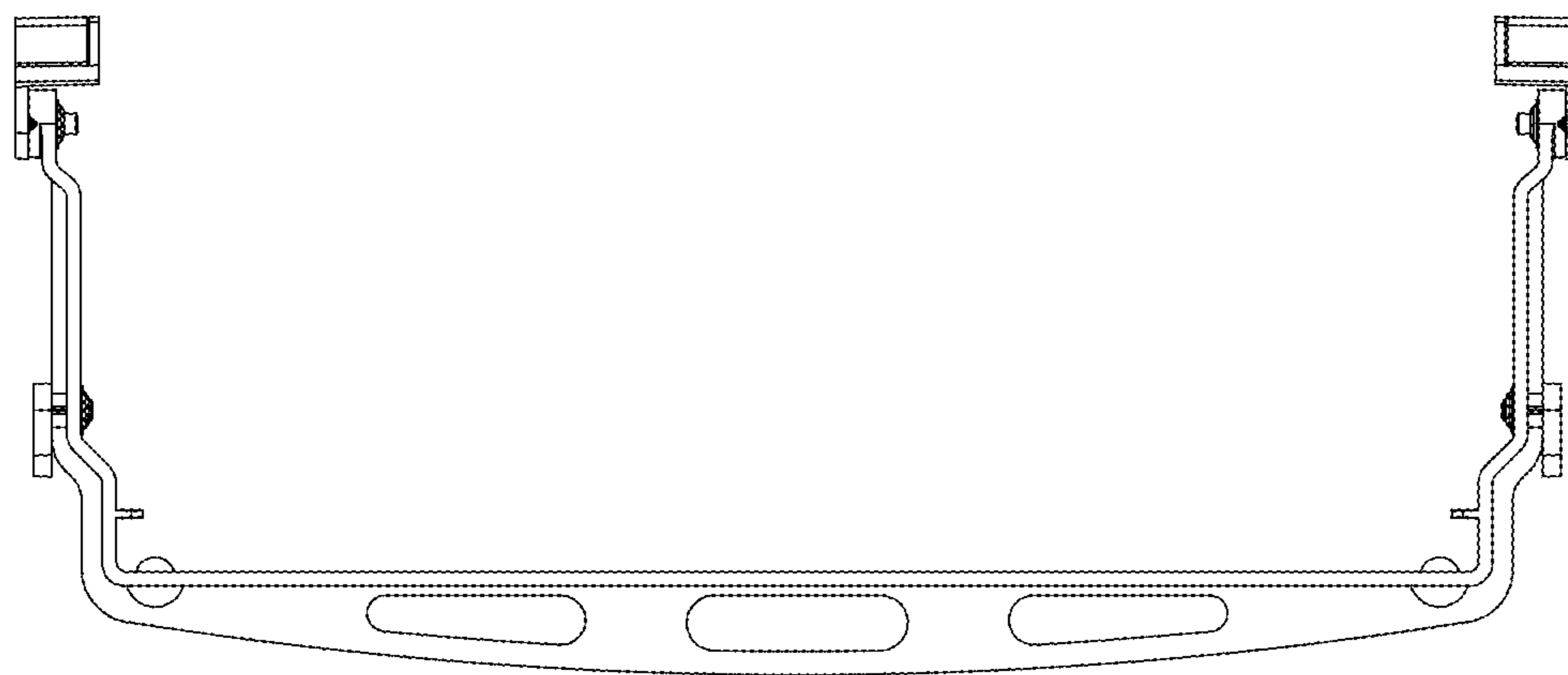


FIG. 7

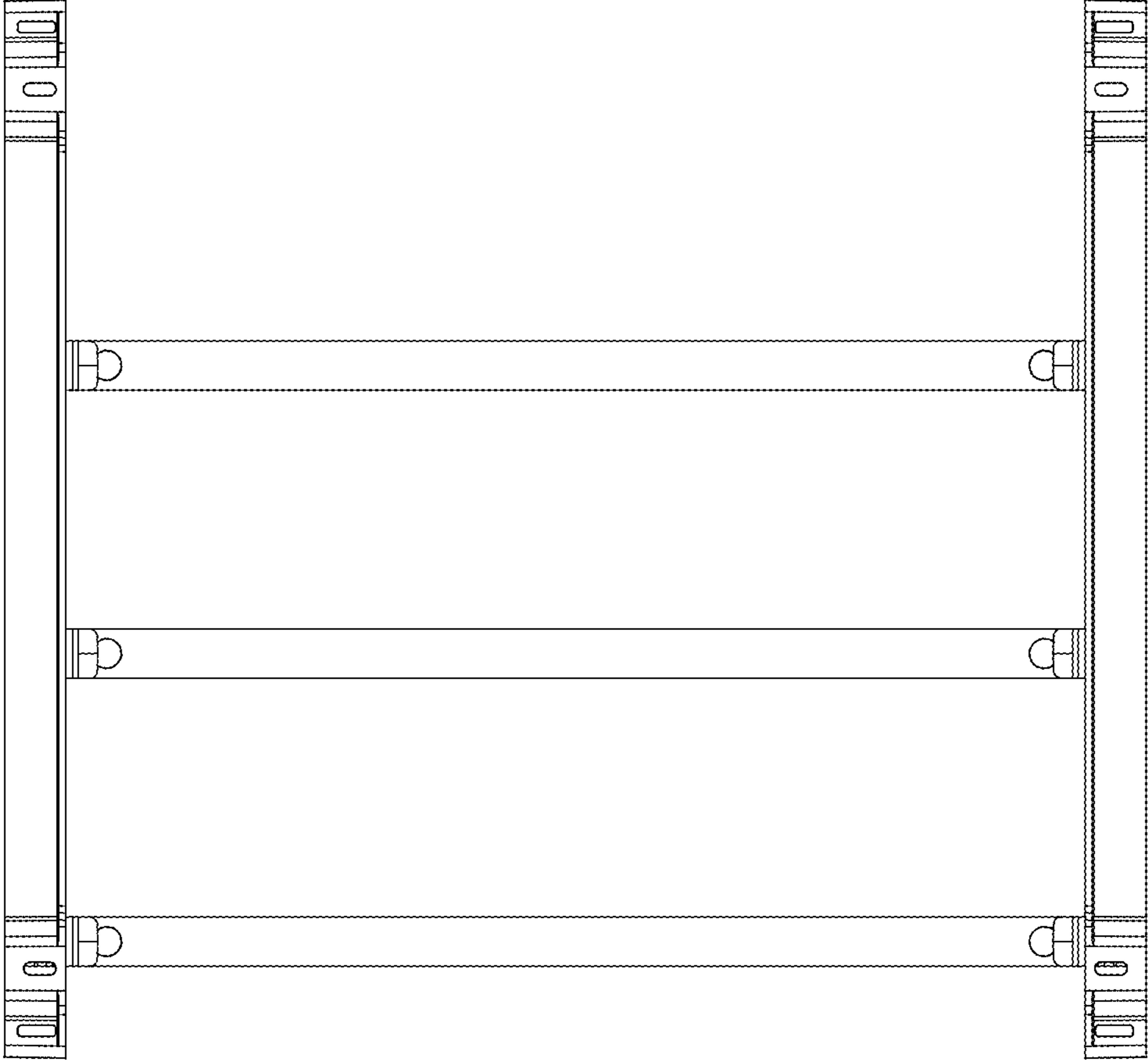


FIG. 8

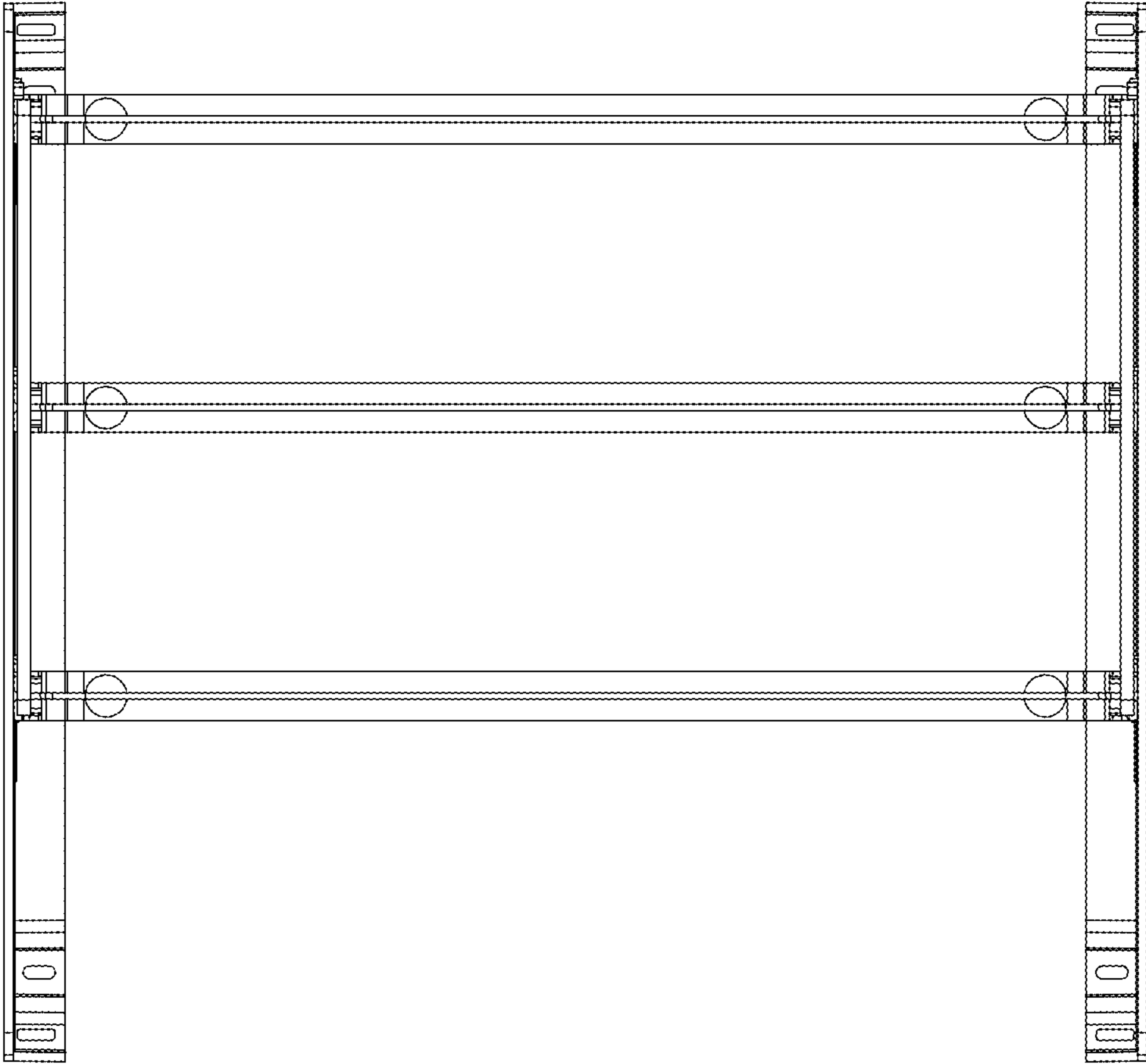


FIG. 9

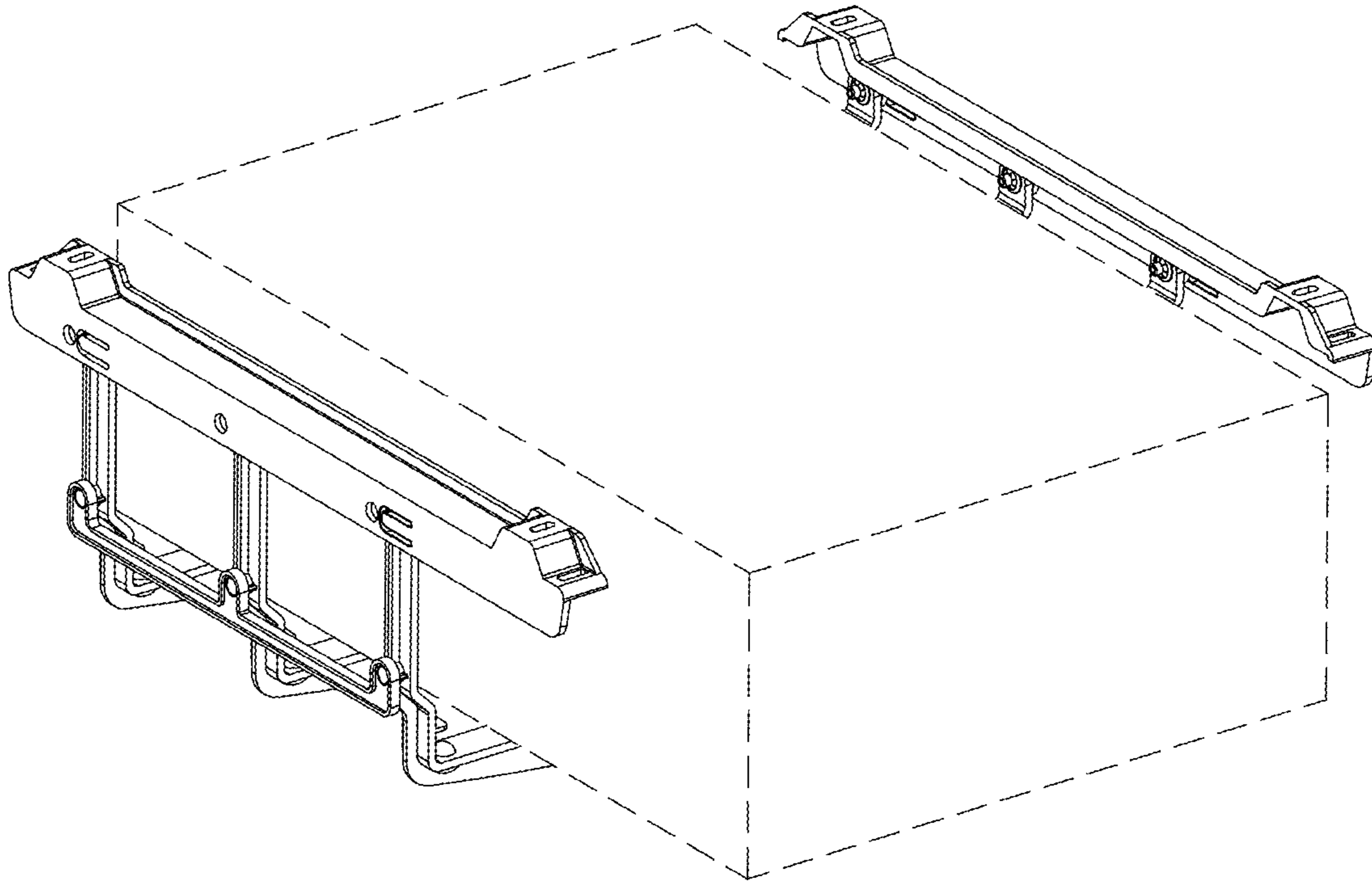
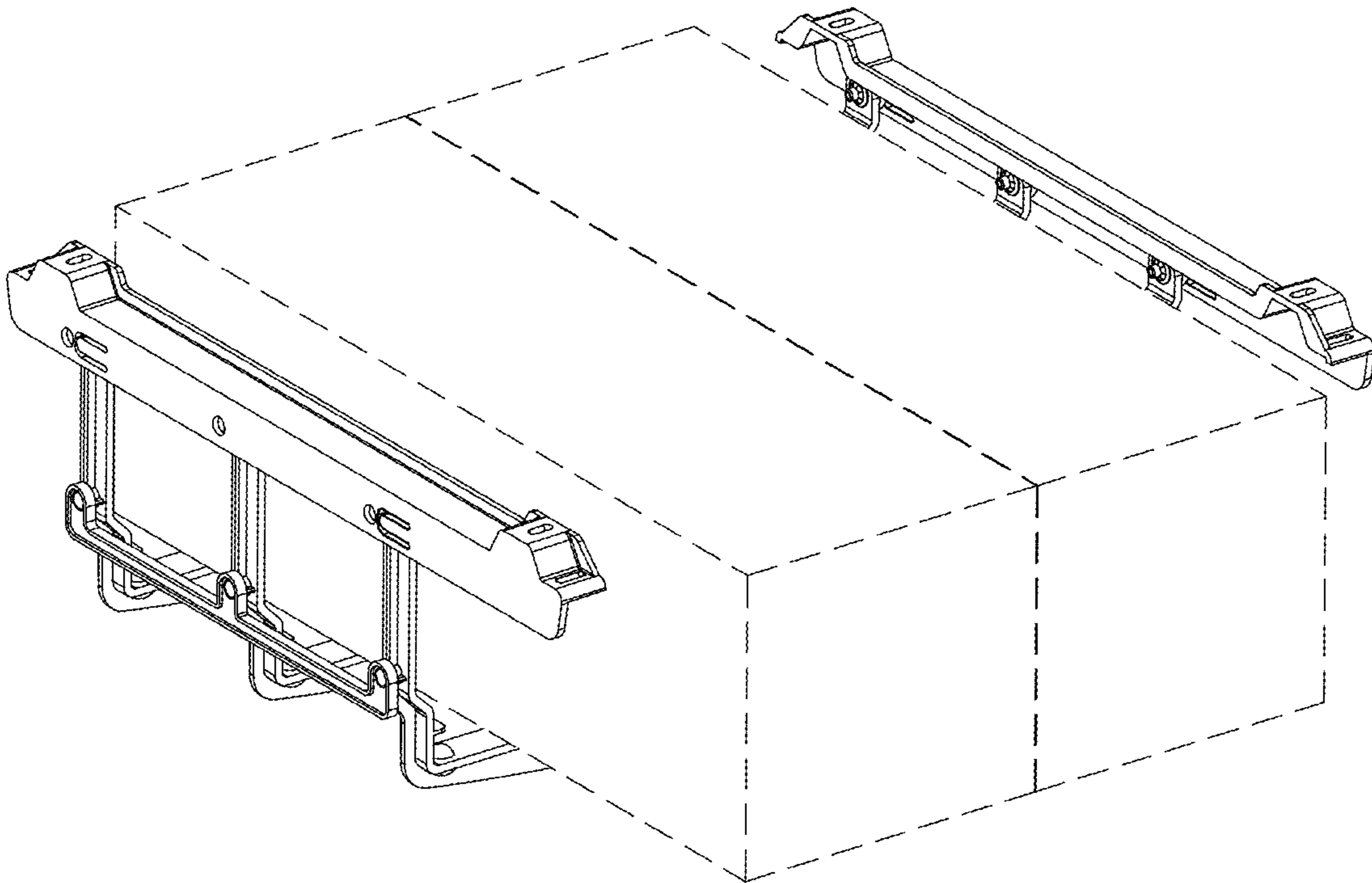


FIG. 10



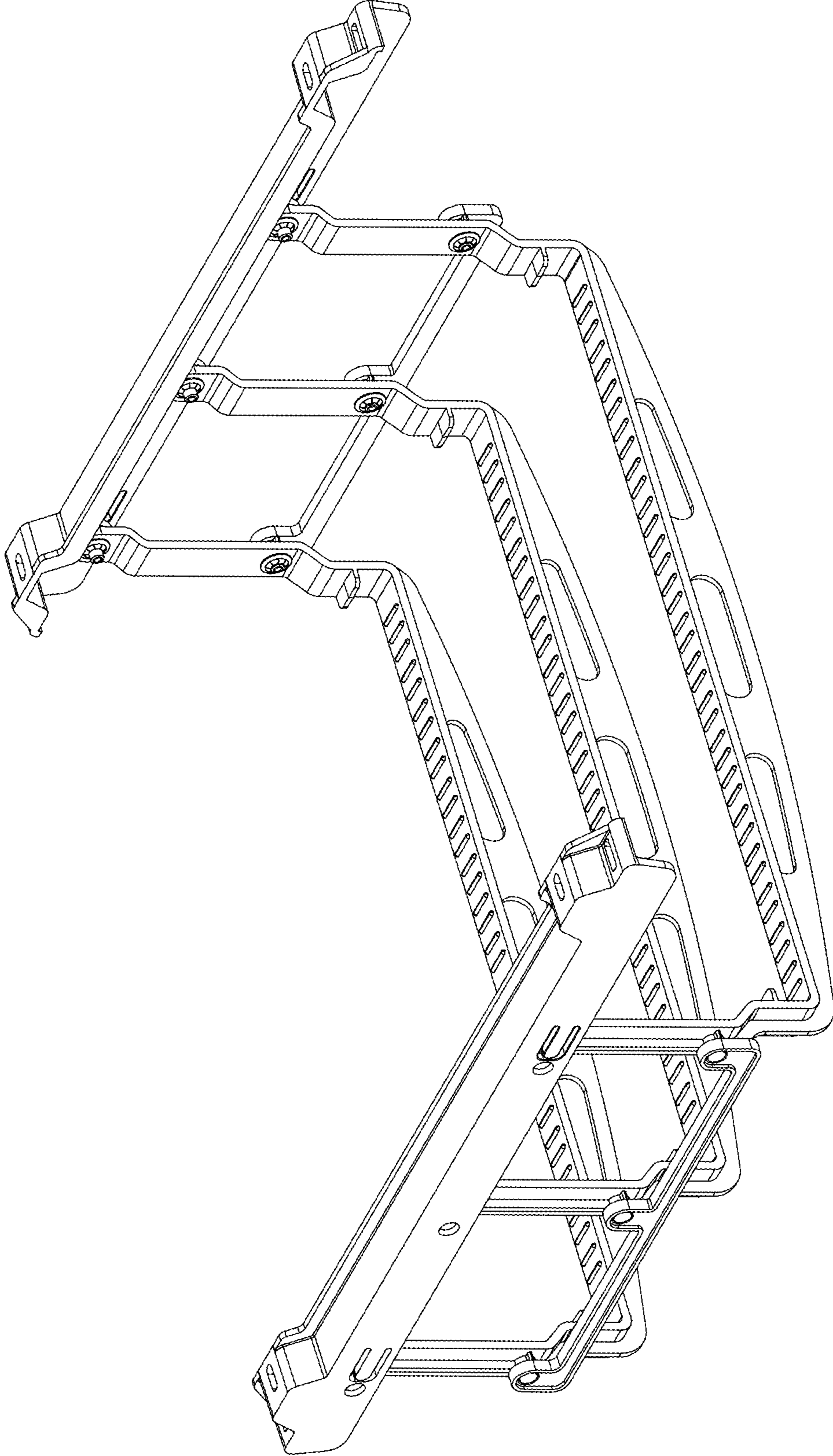
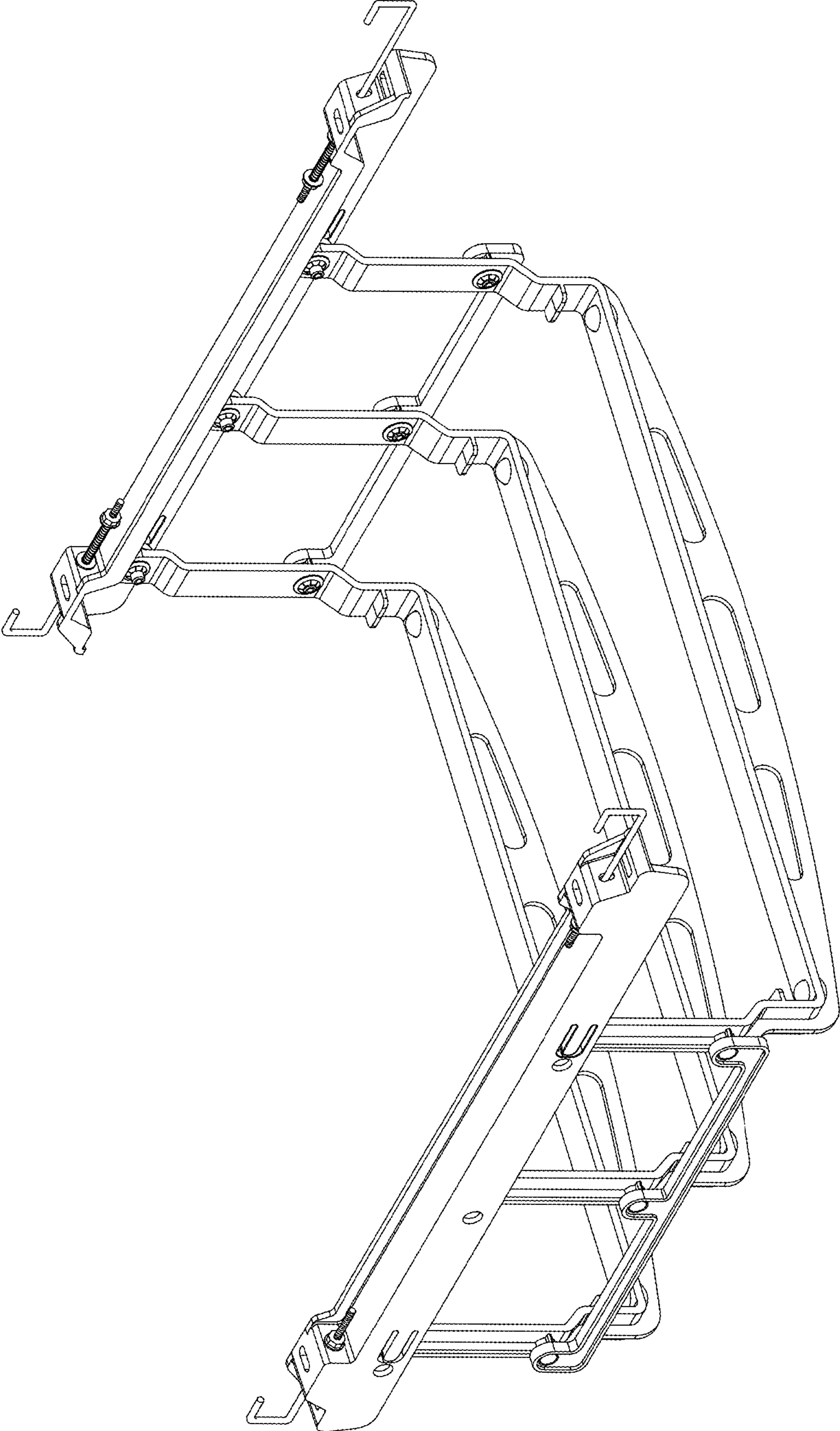


FIG. 11

FIG. 12



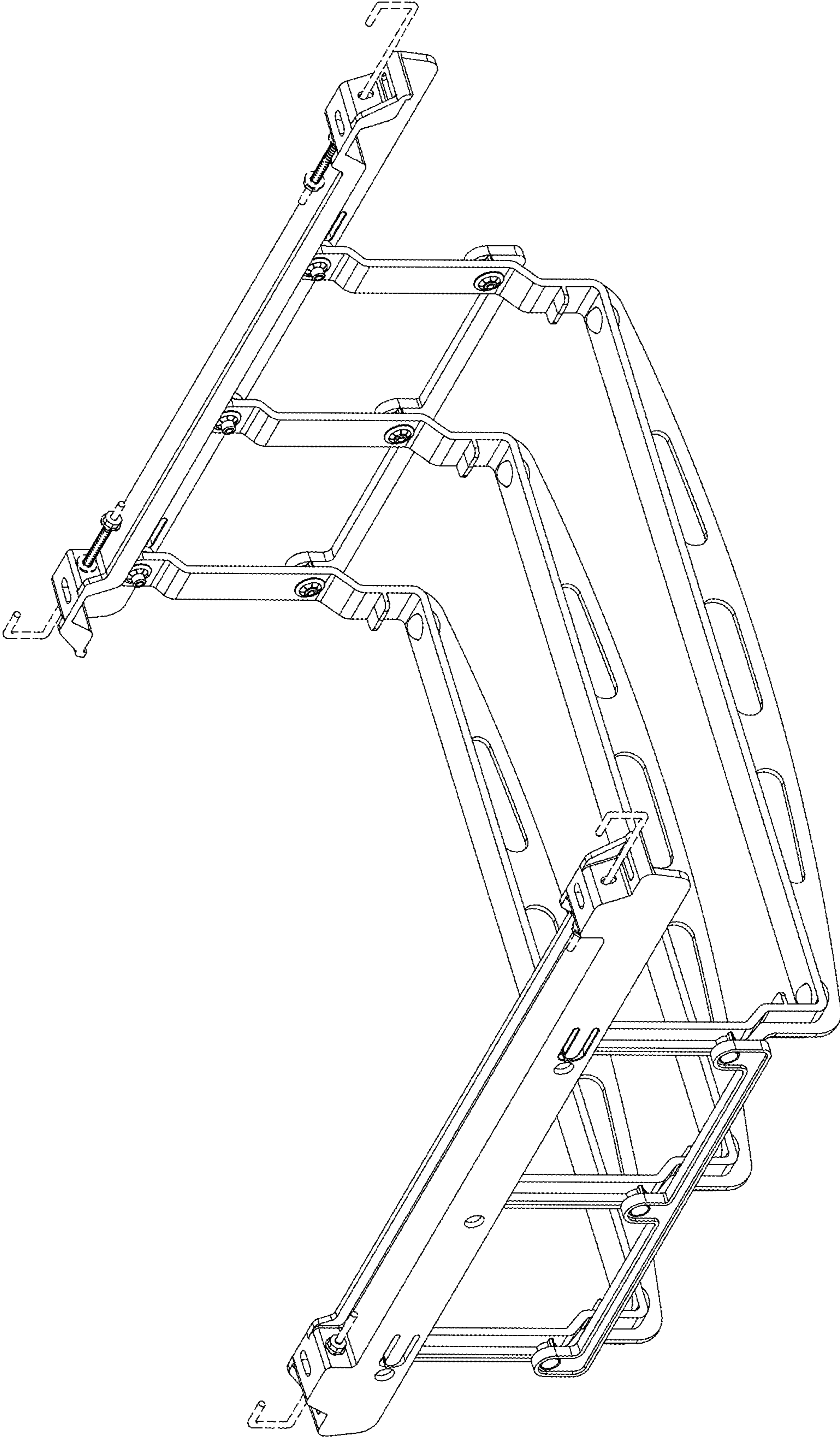


FIG. 13