



US00D953081S

(12) **United States Design Patent** (10) **Patent No.:** **US D953,081 S**
Ramos et al. (45) **Date of Patent:** **** May 31, 2022**

(54) **TABLE**
(71) Applicant: **Steelcase Inc.**, Grand Rapids, MI (US)
(72) Inventors: **Ryan Jerome Ramos**, Lowell, MI (US); **Brian K. Snyder**, Middleville, MI (US); **Ryan D. Vaughan**, Grand Rapids, MI (US); **John Mark Allen**, Grand Rapids, MI (US); **Theodore Thomas**, Grand Rapids, MI (US); **Santiago Carral O’Gorman**, Grand Rapids, MI (US)

(73) Assignee: **Steelcase Inc.**, Grand Rapids, MI (US)

(**) Term: **15 Years**

(21) Appl. No.: **29/747,046**

(22) Filed: **Aug. 19, 2020**

(51) **LOC (13) Cl.** **06-03**

(52) **U.S. Cl.**
USPC **D6/696.2**

(58) **Field of Classification Search**
USPC D6/696–697.2
CPC .. A47B 13/10; A47B 7/00; A47B 9/00; A47B 13/08; A47B 13/12; A47B 17/00; A47B 19/00; A47B 21/00; A47B 2200/00
See application file for complete search history.

(56) **References Cited**

U.S. PATENT DOCUMENTS

D140,501 S	3/1945	Fletcher	
D165,584 S *	1/1952	Johnson	D6/696
D166,360 S	4/1952	Shinn	
D166,377 S	4/1952	Curtis	
D175,110 S	7/1955	Howard	
D175,651 S	9/1955	Schwartz	
D178,297 S	7/1956	Little	
3,106,901 A *	10/1963	Locek	F16B 12/48 108/1
D202,046 S	8/1965	Zierhut	
D203,449 S *	1/1966	Campbell	D6/696.7

D207,713 S *	5/1967	Sullivan	D6/707.22
D218,943 S	10/1970	Culliss	
D225,190 S	11/1972	Van Syoc	
D260,529 S	9/1981	Pearse	
D275,340 S	9/1984	Dunbar	
D282,096 S	1/1986	Levand	

(Continued)

FOREIGN PATENT DOCUMENTS

GB 6100492 * 9/2020

OTHER PUBLICATIONS

Elbrook Table Collection by Steelcase, first available: Unknown. Steelcase.com [online], [site visited Feb. 7, 2022], Internet URL: https://www.steelcase.com/products/education-desks-tables/elbrook-table-collection/?drawer_main=images&drawer_sub=on-white (Year: 2021).*

(Continued)

Primary Examiner — Steven J Czyz
Assistant Examiner — Hillary Catherine Shepard

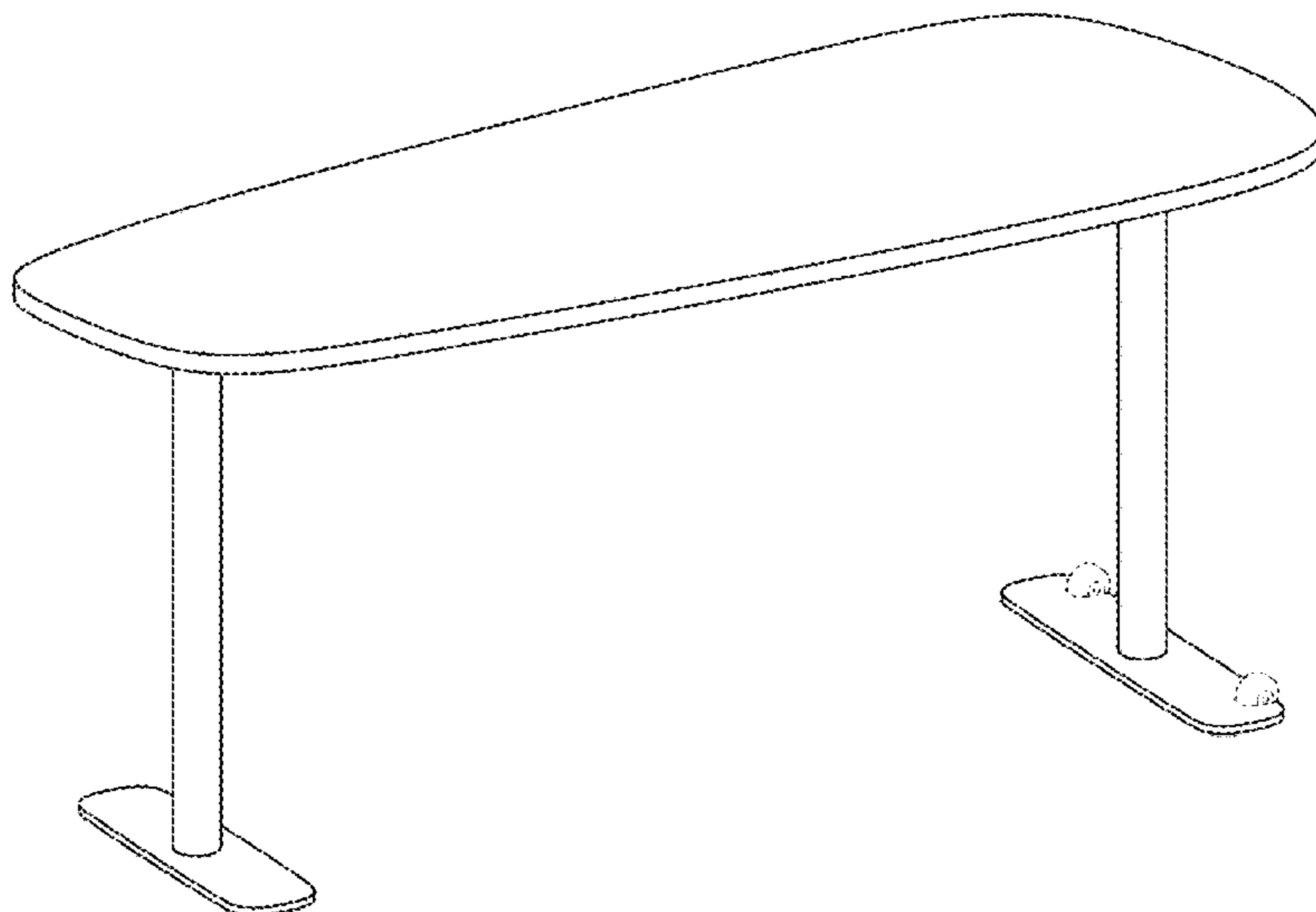
(57) **CLAIM**

We claim the ornamental design for a table, as shown and described.

DESCRIPTION

FIG. 1 is a top perspective view of a table, showing our new design;
FIG. 2 is a bottom perspective view of the table thereof;
FIG. 3 is a front view of the table thereof;
FIG. 4 is a rear view of the table thereof;
FIG. 5 is a right side view of the table thereof;
FIG. 6 is a left side view of the table thereof;
FIG. 7 is a top view of the table thereof; and,
FIG. 8 is a bottom view of the table thereof.
The broken lines depict portions of the article that form no part of the claimed design.

1 Claim, 8 Drawing Sheets



(56)

References Cited

U.S. PATENT DOCUMENTS

D282,775 S 2/1986 Floyd, Sr.
D332,535 S * 1/1993 Hosoe D6/696.3
D332,537 S * 1/1993 Hosoe D6/696.3
D332,538 S * 1/1993 Hosoe D6/696.3
D334,982 S 4/1993 Riach
D336,185 S 6/1993 Deinen et al.
D339,487 S 9/1993 Rizzi
D341,507 S 11/1993 Harvey et al.
D352,194 S 11/1994 Hosoe
D352,408 S * 11/1994 Hosoe D6/696.3
D352,409 S 11/1994 Hosoe
D352,851 S * 11/1994 Hosoe D6/696.3
D352,852 S * 11/1994 Hosoe D6/696.3
D359,405 S 6/1995 Ball
D366,977 S 2/1996 Pratt
D382,422 S 8/1997 Muller
D383,017 S 9/1997 Kelly et al.
D383,924 S 9/1997 Dormon et al.
D388,639 S 1/1998 Dormon et al.
D389,347 S 1/1998 Muller
D389,674 S 1/1998 Muller
D390,382 S 2/1998 Schwartz
D393,760 S 4/1998 Allon
D394,567 S 5/1998 Hallenheim
D401,086 S 11/1998 Hellwig et al.
D401,087 S 11/1998 Hellwig et al.
D413,212 S 8/1999 Dame et al.
D414,634 S * 10/1999 Smith D6/707.22
D415,376 S 10/1999 Lottes
D420,536 S 2/2000 Swensson et al.
D431,939 S 10/2000 Risdall
D438,407 S * 3/2001 Maly D6/696.3
D442,795 S 5/2001 Holt
D444,968 S 7/2001 Brown et al.
D447,655 S 9/2001 Petri
D450,949 S 11/2001 Grabowski et al.
D463,683 S 10/2002 Goodworth
D463,684 S 10/2002 Goodworth
D463,687 S 10/2002 Goodworth
D470,345 S 2/2003 Muller
D475,095 S * 5/2003 Manville D21/385
D478,427 S 8/2003 Ford et al.
D480,767 S 10/2003 Manville
D492,858 S 7/2004 Georgopoulos
D505,281 S 5/2005 Martin
D506,081 S * 6/2005 Moore D6/696.3
D511,059 S 11/2005 Sinding et al.
D514,855 S 2/2006 DeBoth
D527,929 S 9/2006 Martin
D534,386 S 1/2007 Warriner
D541,084 S * 4/2007 Korber D6/650
D543,384 S 5/2007 Resterhouse et al.
D548,471 S 8/2007 Ford et al.
D548,496 S 8/2007 Samtani
D565,876 S 4/2008 Potente
D588,671 S * 3/2009 Ball D6/707.22
D592,429 S 5/2009 Lovegrove
D608,118 S 1/2010 Pini
D610,380 S 2/2010 Momeny
D615,324 S 5/2010 Yamamoto
D627,177 S 11/2010 Mead et al.

D640,486 S 6/2011 Saelid
D645,675 S 9/2011 Rice et al.
D646,916 S 10/2011 Barrett et al.
D665,191 S 8/2012 Yamamoto
D669,710 S 10/2012 Lievore et al.
D694,044 S 11/2013 Copeland
D703,984 S * 5/2014 Nasserri D6/707.22
D731,821 S 6/2015 Hosoya
D770,796 S 11/2016 Lin
D776,473 S 1/2017 Fletcher
D778,088 S * 2/2017 Hiyoshi D6/707.15
D810,451 S 2/2018 Liu
D815,475 S 4/2018 Grossinger et al.
D819,375 S * 6/2018 Zaccai D6/696
D839,646 S 2/2019 Rockwell et al.
D841,380 S 2/2019 Zaccai et al.
D843,759 S 3/2019 Siebert
D852,561 S 7/2019 Handler et al.
D859,895 S 9/2019 Haase et al.
D876,863 S 3/2020 Lipparini
2008/0241814 A1 * 10/2008 Seidl A47B 13/10
434/432
2012/0020112 A1 * 1/2012 Fisher G02B 6/0096
362/127

OTHER PUBLICATIONS

Elbrook Tables by Steelcase, first available: 2021. Studiomurmur.com [online], [site visited Feb. 5, 2022], Internet URL: <https://www.studiomurmur.net/steelcase-elbrook> (Year: 2022).*

Danish Vintage Organic Shaped Coffee Table by LANOBA Design Balderskilde, first available: Unknown. Aptdeco.com [online], [site visited: Feb. 5, 2022], Internet URL: <https://www.aptdeco.com/product/danish-vintage-organic-shaped-coffee-table> (Year: 2022).*

MOHD—Mollura Home Design, Ligne Roset Pebble Concave Table, downloaded on Jun. 26, 2020 at <https://shop.mohd.it/en-gb/pebbte-tavolino-concavo-d16121.html>.

Article, Amoeba Wild Walnut 42.5" Wide Coffee Table, downloaded on Jun. 25, 2020 from https://www.article.com/pla/1289/amoeba-wild-walnut-42-5-wide-coffee-table?artcl_campaignID=900506311&artcl_network=g&artcl_adgroupid=44470072225&artcl_keyword=&artcl_source=google&gclid=CjwKCAjwqpP2BRBTEiwAfpID-yOvukBSccLuHHofxymNAruv7JDS17wBvV_Crr_iYuxAq3o9PdEXZRoC9foQAvD_BwE.

Pinterest, downloaded on Aug. 19, 2020, from https://www.pinterest.com/pin/100345897916897678/?nic_v1=1aqlqsfjlgA12Wjs71gJFzeRaRPzWKFR%2BhTaTJdKQqPjT9u2s1Gzn%2BsH%2B36M2eP9F.

1STDIBS, downloaded on June 25, 2020, from https://www.pinterest.com/pin/97108935704984793/?nic_v1=1auNFKGczfEevW1Bxyb0e%2B7DrCc4wswqAlbhVA5Sk3u4mxslMs2xnkYxdf90D3Vbay.

CF Interiors, Trent Coffee Table, downloaded on June 25, 2020, from <https://cfinteriorsonline.com/products/trent-coffee-table>.

Ultra Modern, Otto Dining Table, downloaded on Jun. 25, 2020 from https://www.pinterest.com/pin/338051515780748851/?nic_v1=1aEerS43iEtoMbSO4FFN%2BtZwScgeZOazzuckuqaM5b7E7IJoulZYIRsrCJfS5bV%2F9.

Knoll by Jens Risom, Risom Amoeba Coffee Table downloaded on Jun. 25, 2020, from <https://www.knoll.com/product/risom-amoeba-coffee-table>.

* cited by examiner

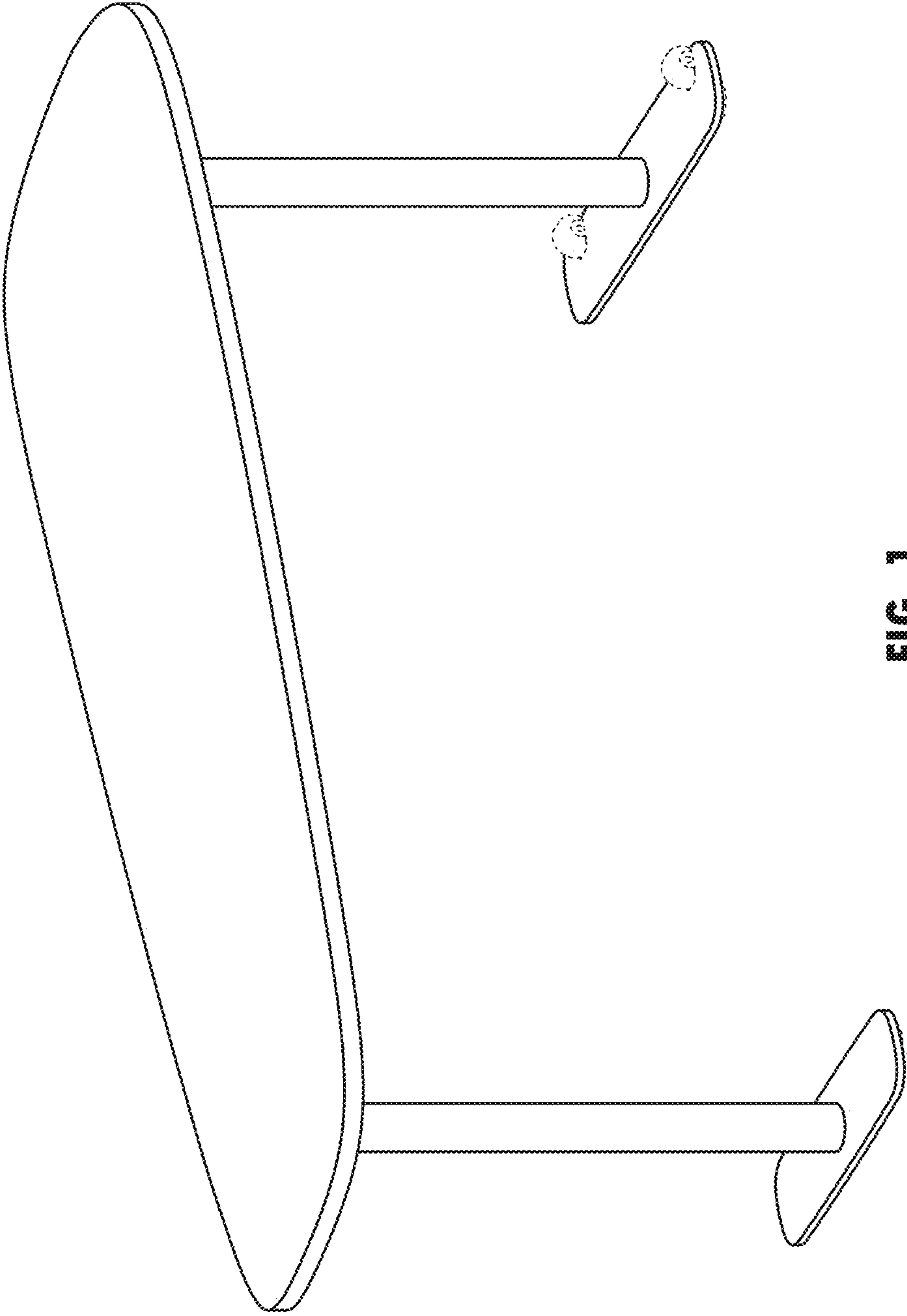


FIG. 1

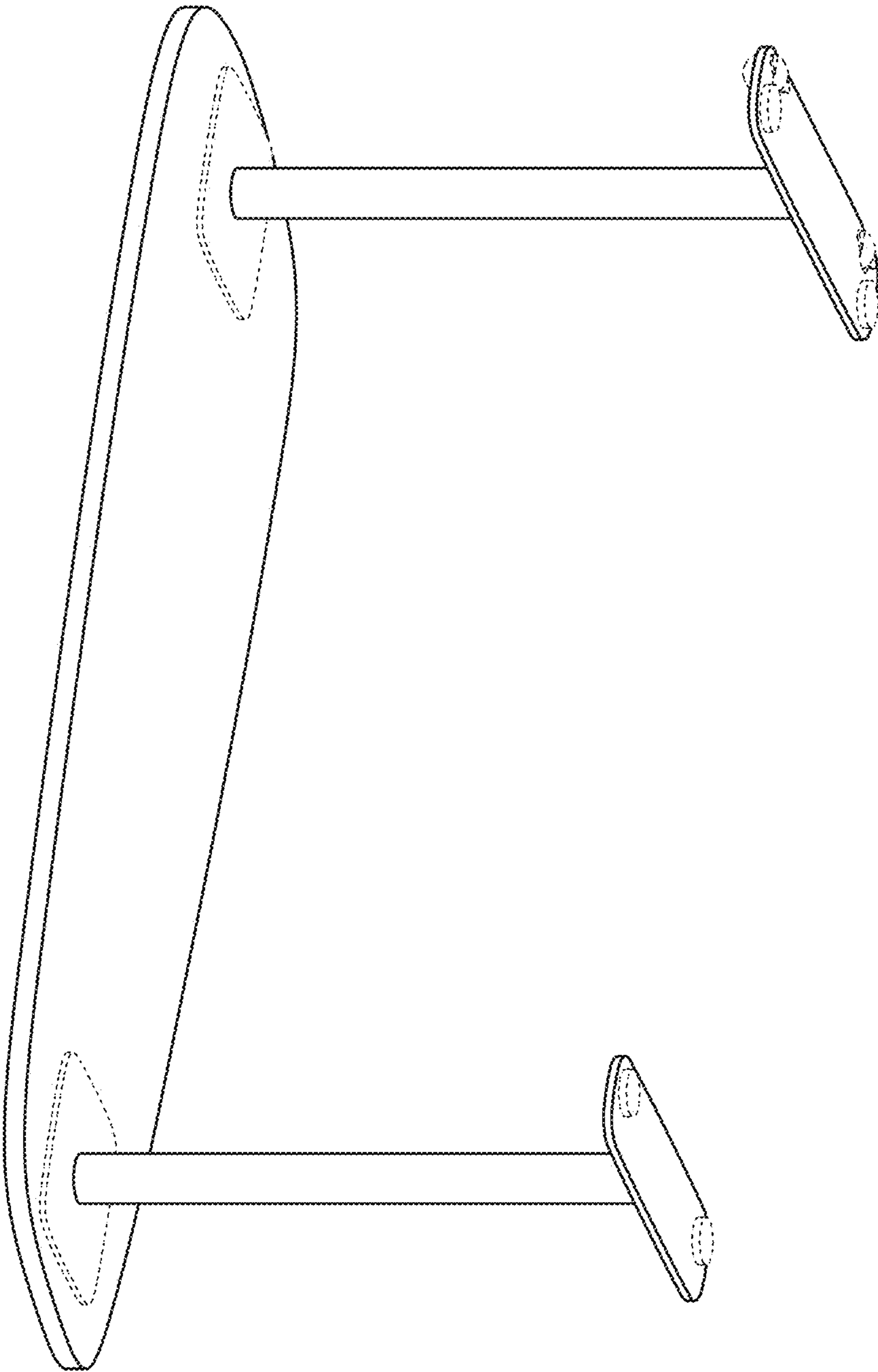


FIG. 2



FIG. 3



FIG. 4

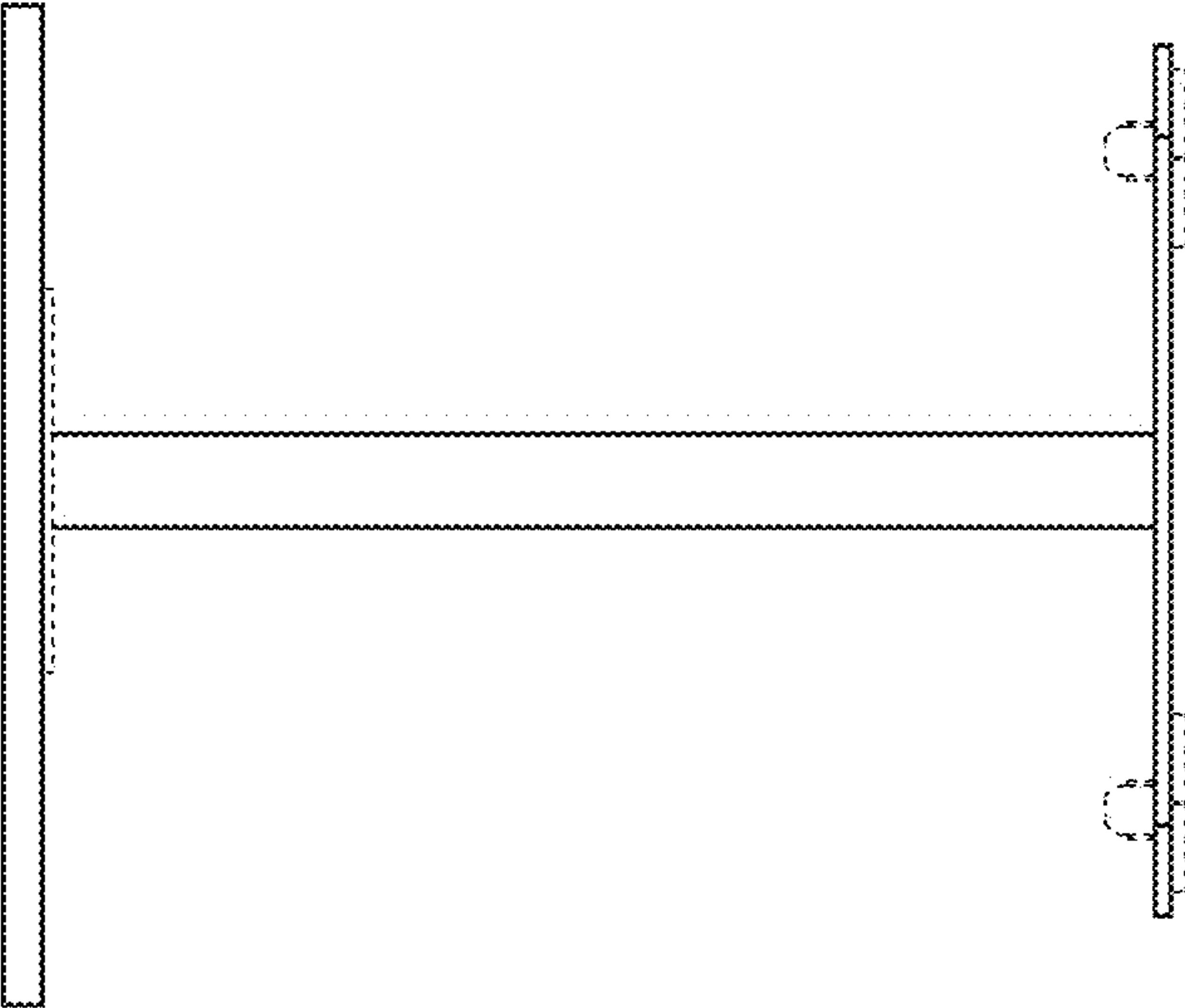


FIG. 5

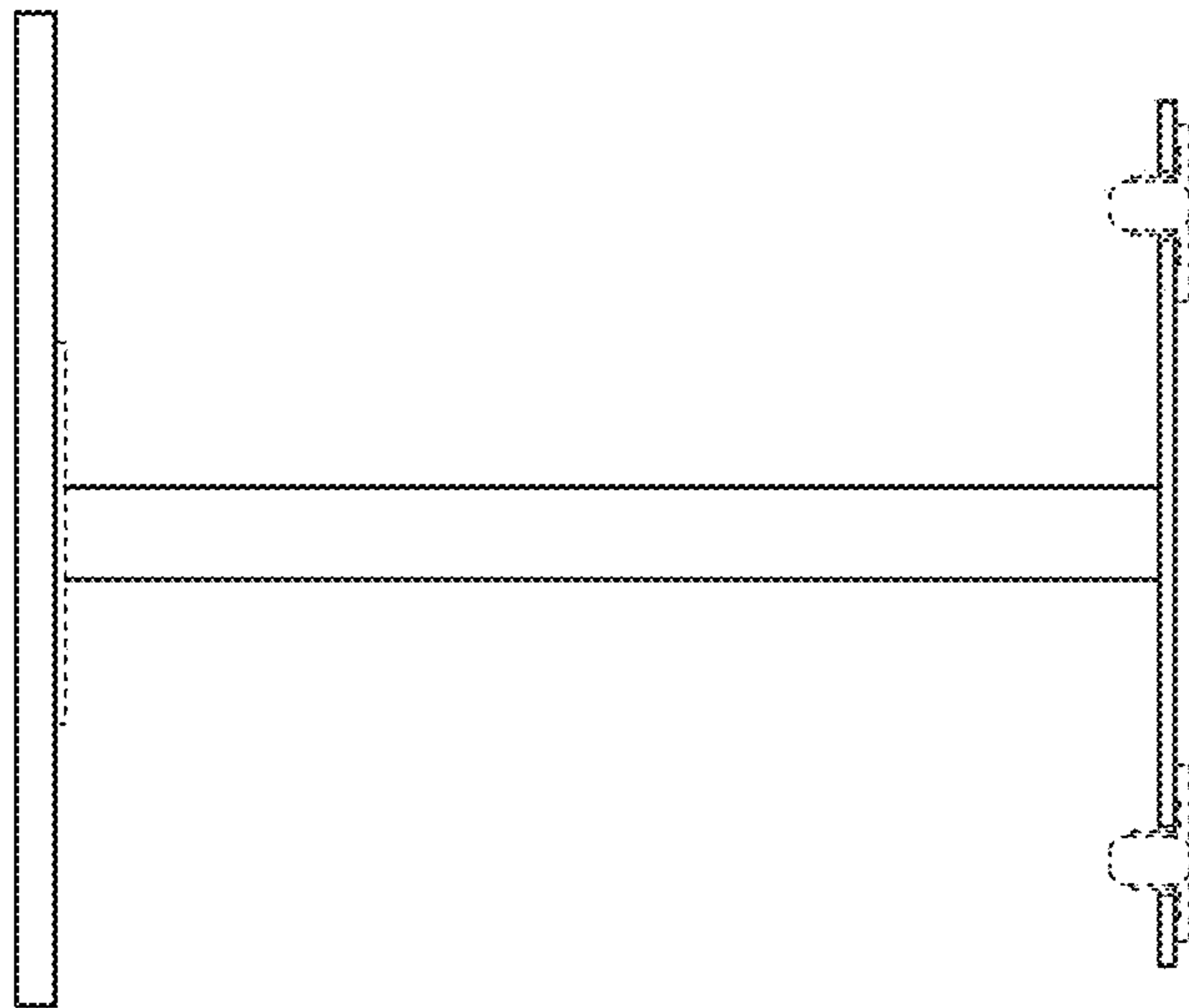


FIG. 6

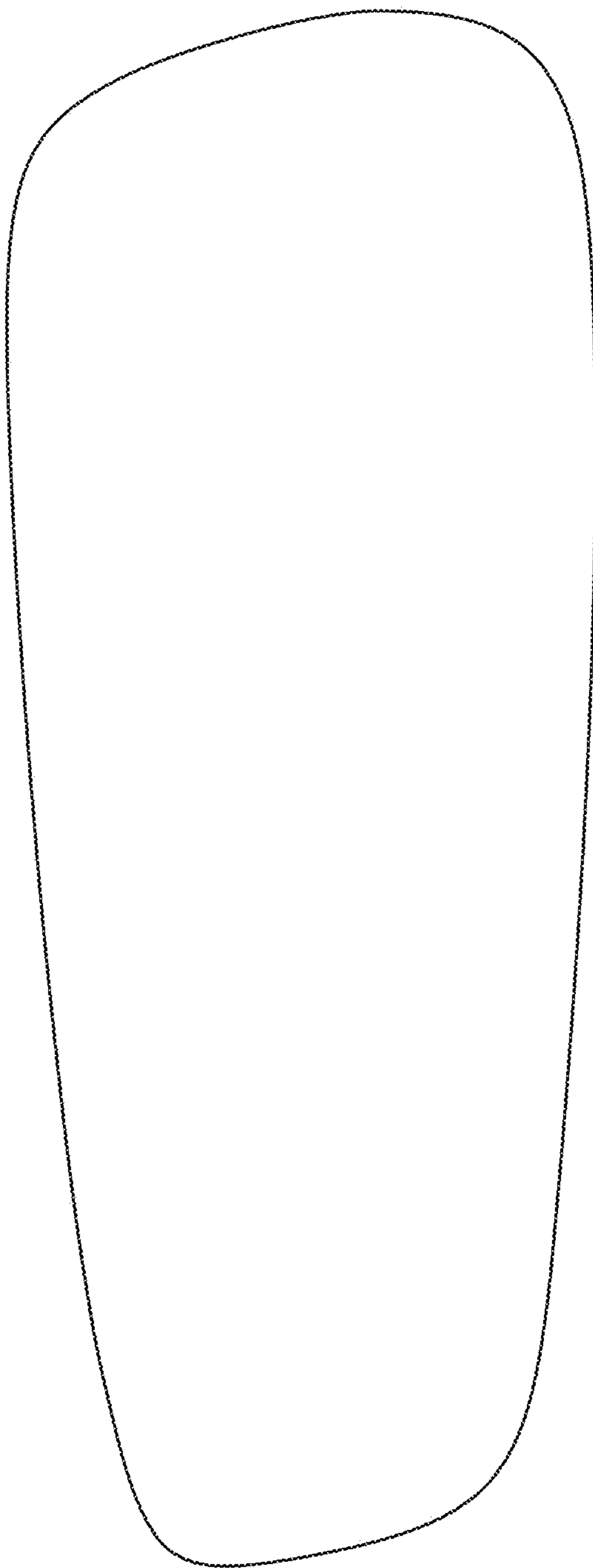


FIG. 7

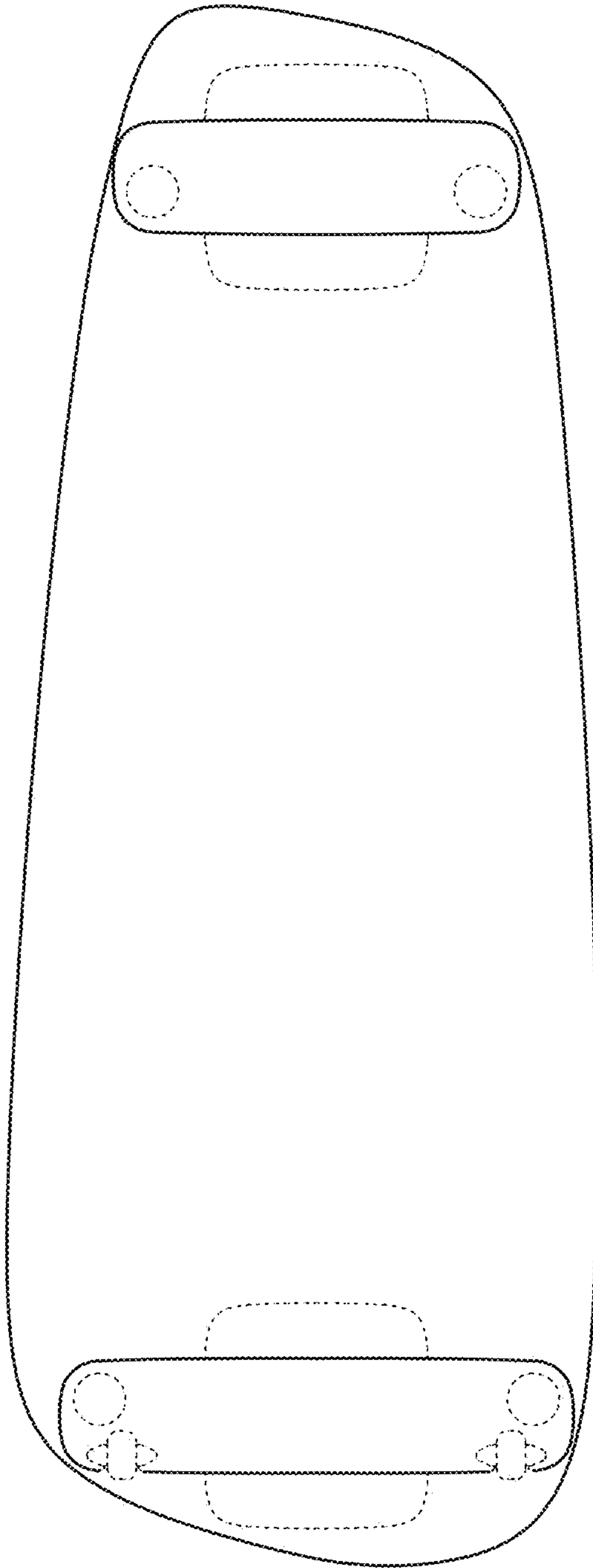


FIG. 8