



(12) **United States Design Patent**  
**Jones**

(10) **Patent No.:** **US D953,080 S**  
(45) **Date of Patent:** **\*\* May 31, 2022**

- (54) **TABLE**
- (71) Applicant: **Williams-Sonoma, Inc.**, San Francisco, CA (US)
- (72) Inventor: **Anna Jones**, Brooklyn, NY (US)
- (73) Assignee: **Williams-Sonoma, Inc.**, San Francisco, CA (US)
- (\*\*) Term: **15 Years**
- (21) Appl. No.: **29/728,285**
- (22) Filed: **Mar. 17, 2020**
- (51) **LOC (13) Cl.** ..... **06-03**
- (52) **U.S. Cl.**  
USPC ..... **D6/692.3**
- (58) **Field of Classification Search**  
USPC ..... D6/349, 685, 686, 692, 692.1-692.6  
CPC .... A47B 1/00; A47B 1/02; A47B 1/04; A47B 1/05; A47B 1/08; A47B 1/10; A47B 2001/005; A47B 2001/025; A47B 2001/053; A47B 2001/105; A47B 7/00; A47B 13/00; A47B 13/003; A47B 13/023; A47B 13/02; A47B 13/04; A47B 13/06; A47B 13/08; A47B 13/12; A47B 2013/025; A47B 17/00; A47B 13/21; A47B 21/00; A47B 2200/0001; A47B 2200/011; A47B 2200/002  
See application file for complete search history.

- (56) **References Cited**  
U.S. PATENT DOCUMENTS  
716,238 A \* 12/1902 Johnson ..... A47B 1/00 108/65  
D41,500 S \* 6/1911 Strobel et al. .... D6/692.3  
1,099,780 A \* 6/1914 Weeks ..... A47B 1/08 108/83  
1,191,159 A \* 7/1916 Cunningham ..... A47B 1/10 384/17

- 1,208,018 A \* 12/1916 Rogginger ..... A47B 1/02 108/87
- 1,854,129 A \* 4/1932 Folsom ..... A47B 1/00 108/64
- 1,952,665 A \* 3/1934 Failey ..... A47B 3/12 108/150
- D236,301 S \* 8/1975 Mudde ..... F16B 12/52 D6/692.3
- 4,674,415 A \* 6/1987 Smith ..... A47G 7/041 108/150
- D339,486 S \* 9/1993 Rizzi ..... A47B 1/00 D6/692.3
- 5,697,305 A \* 12/1997 Chasan ..... A47B 13/12 108/90
- 7,229,231 B2 \* 6/2007 Yu ..... F16B 12/52 297/400

(Continued)

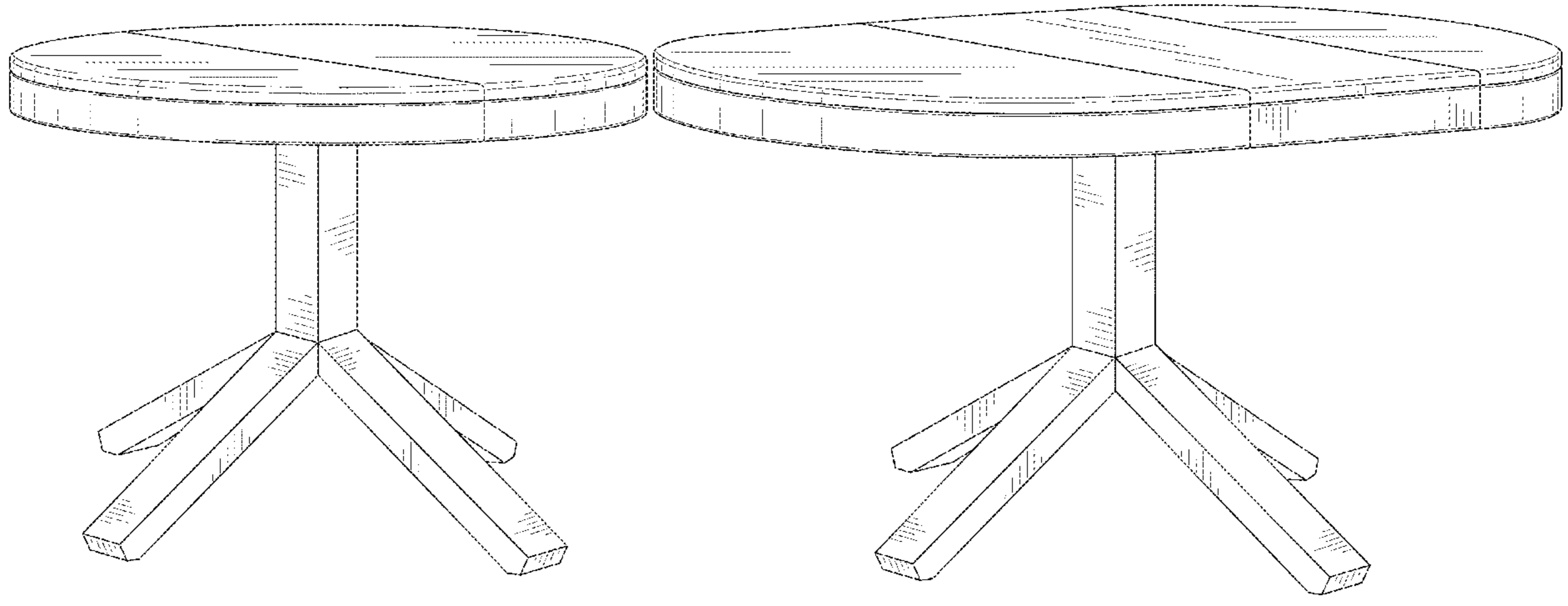
*Primary Examiner* — Mary Ann Calabrese  
(74) *Attorney, Agent, or Firm* — Cook Alex Ltd.

(57) **CLAIM**  
The ornamental design for a table, as shown and described.

**DESCRIPTION**

FIG. 1 is a perspective view of the table;  
 FIG. 2 is a front elevational view thereof, the opposite side of which is a mirror image;  
 FIG. 3 is a left side elevational view thereof, the opposite side of which is a mirror image;  
 FIG. 4 is a top plan view thereof;  
 FIG. 5 is a bottom plan view thereof;  
 FIG. 6 is a perspective view of the Table in an expanded configuration;  
 FIG. 7 is a front elevational view thereof, the opposite side of which is a mirror image;  
 FIG. 8 is a left side elevational view thereof, the opposite side of which is a mirror image;  
 FIG. 9 is a top plan view thereof; and,  
 FIG. 10 is a bottom plan view thereof.

**1 Claim, 10 Drawing Sheets**



(56)

**References Cited**

U.S. PATENT DOCUMENTS

2005/0034639 A1\* 2/2005 Li ..... A47B 1/02  
108/83

\* cited by examiner

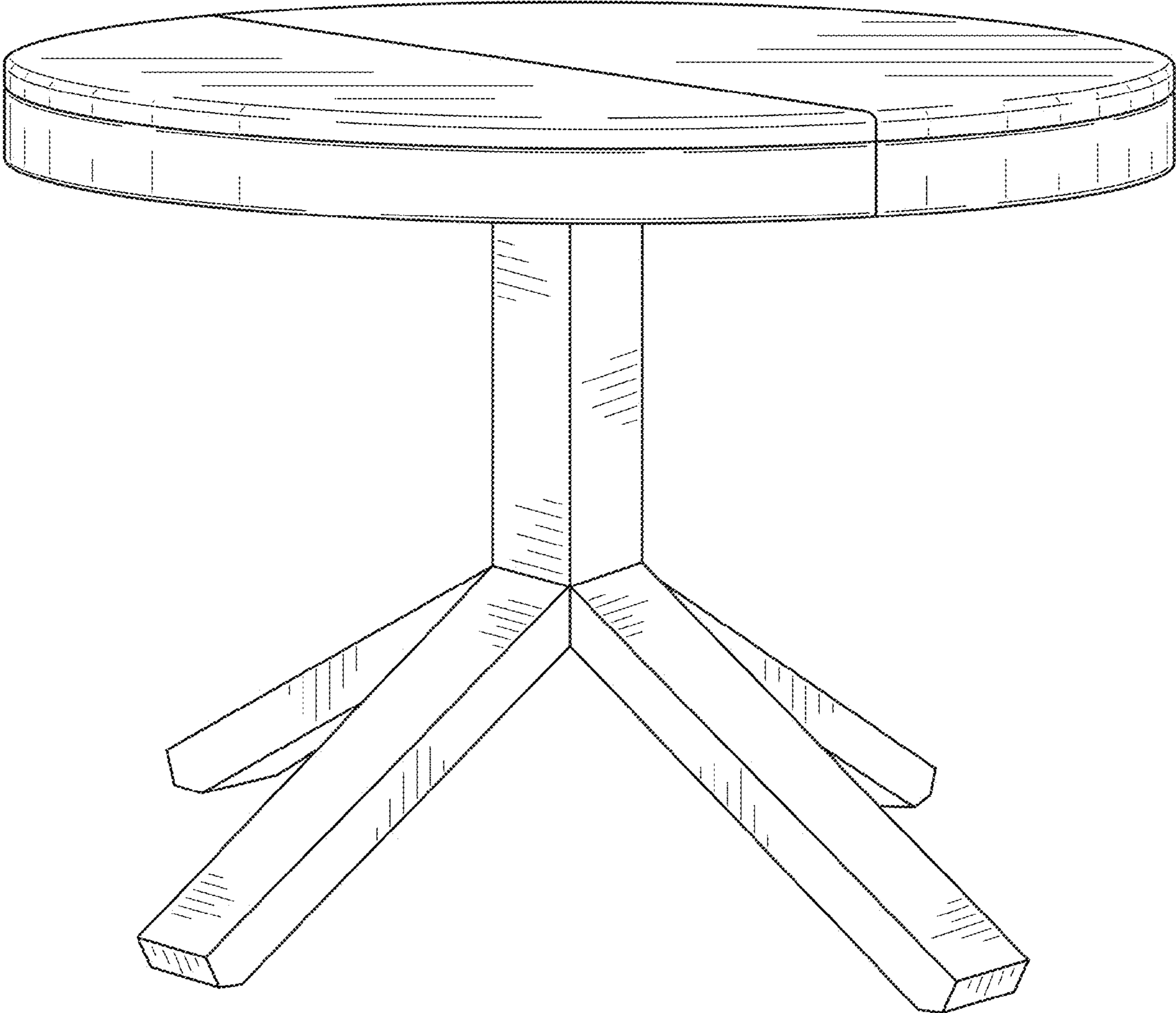


FIG. 1

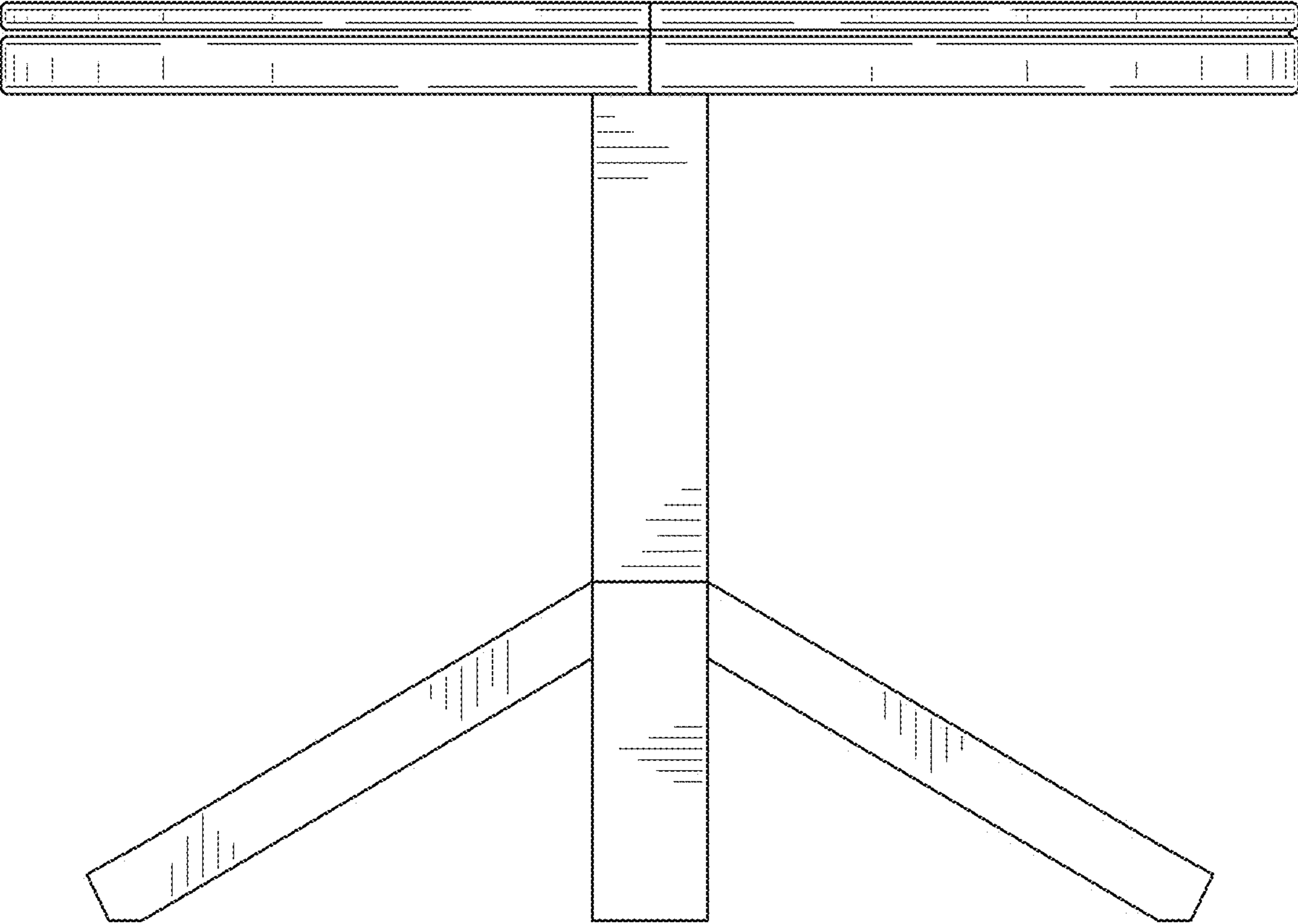


FIG. 2

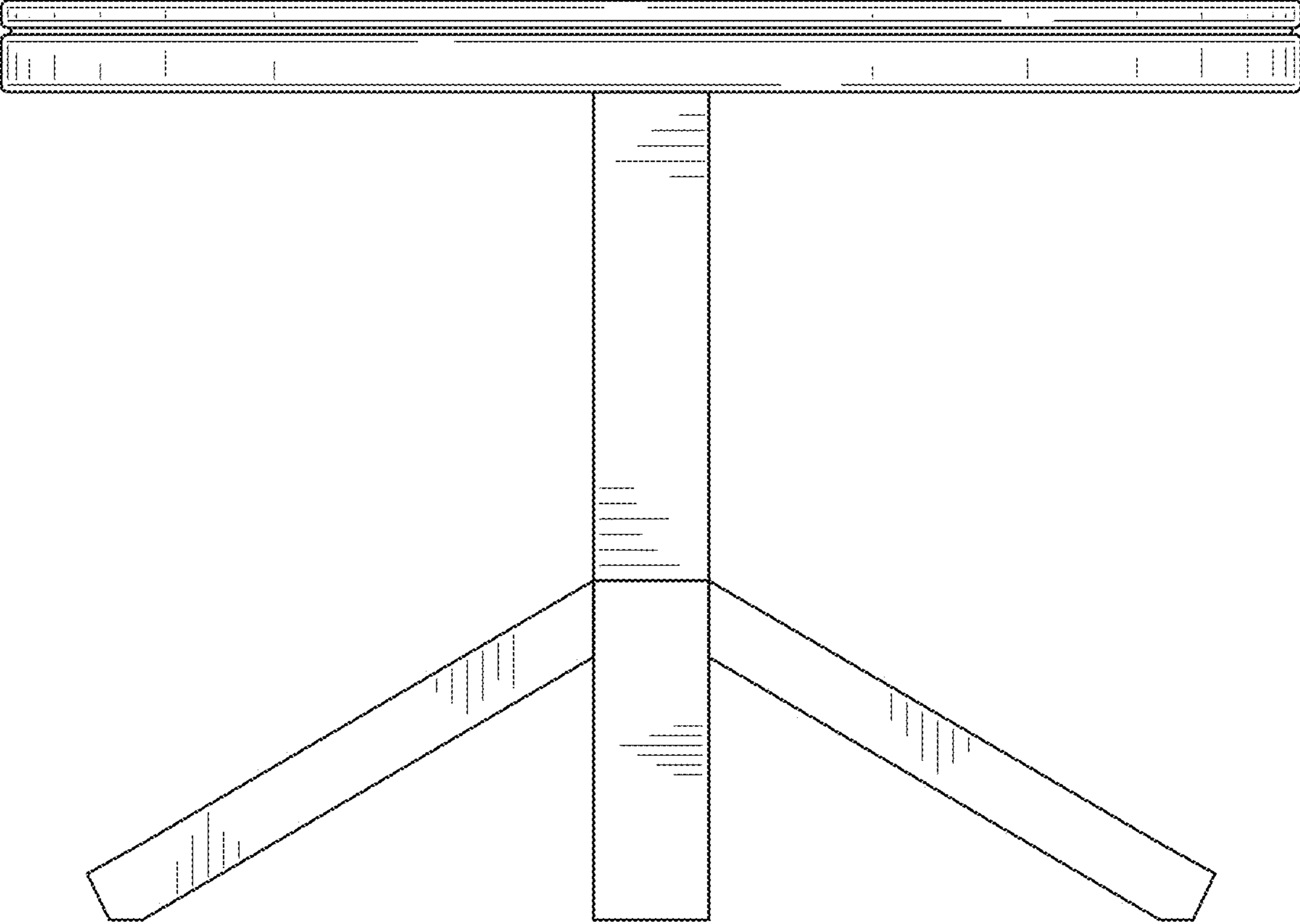


FIG. 3

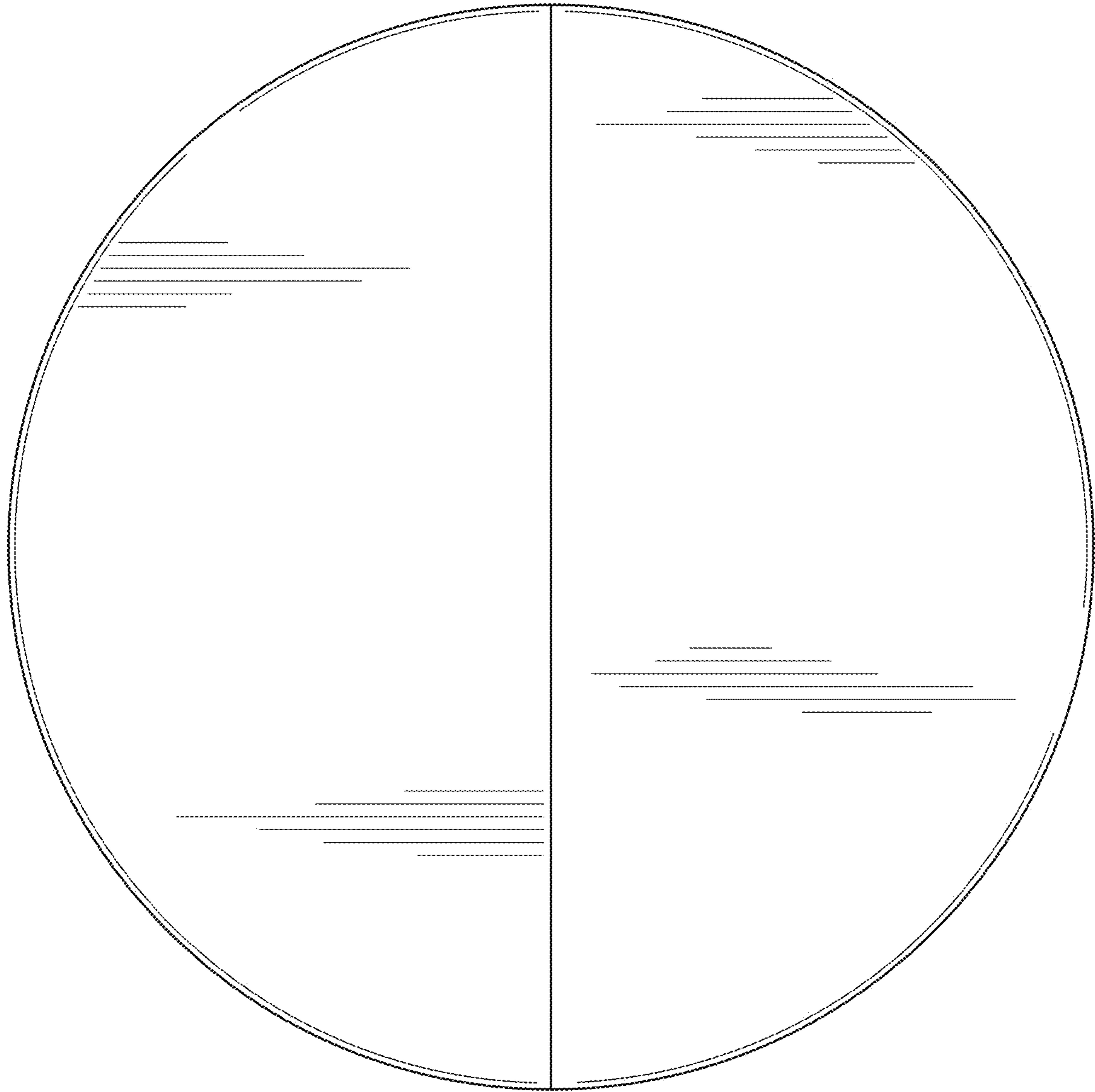


FIG. 4

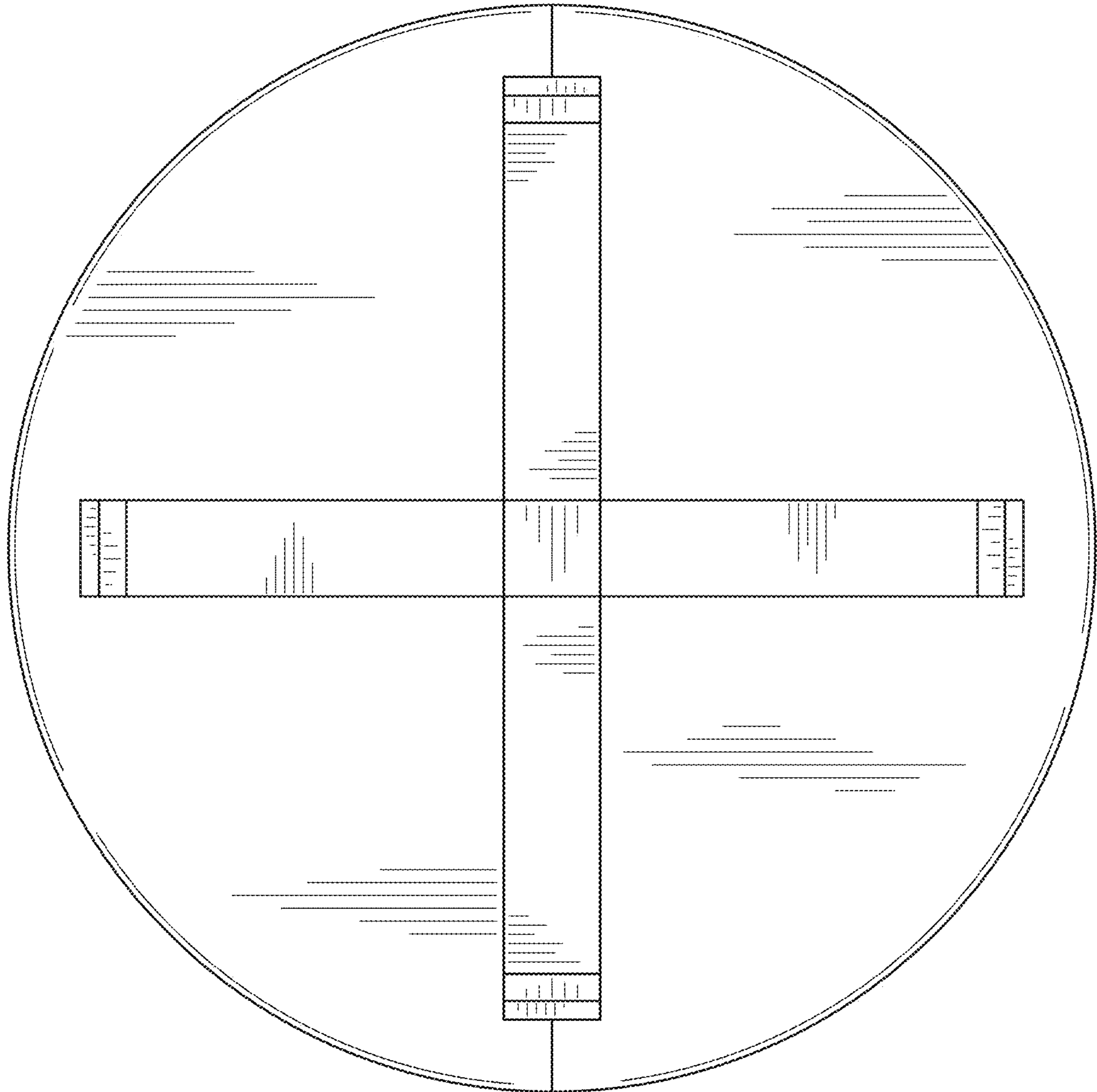


FIG. 5

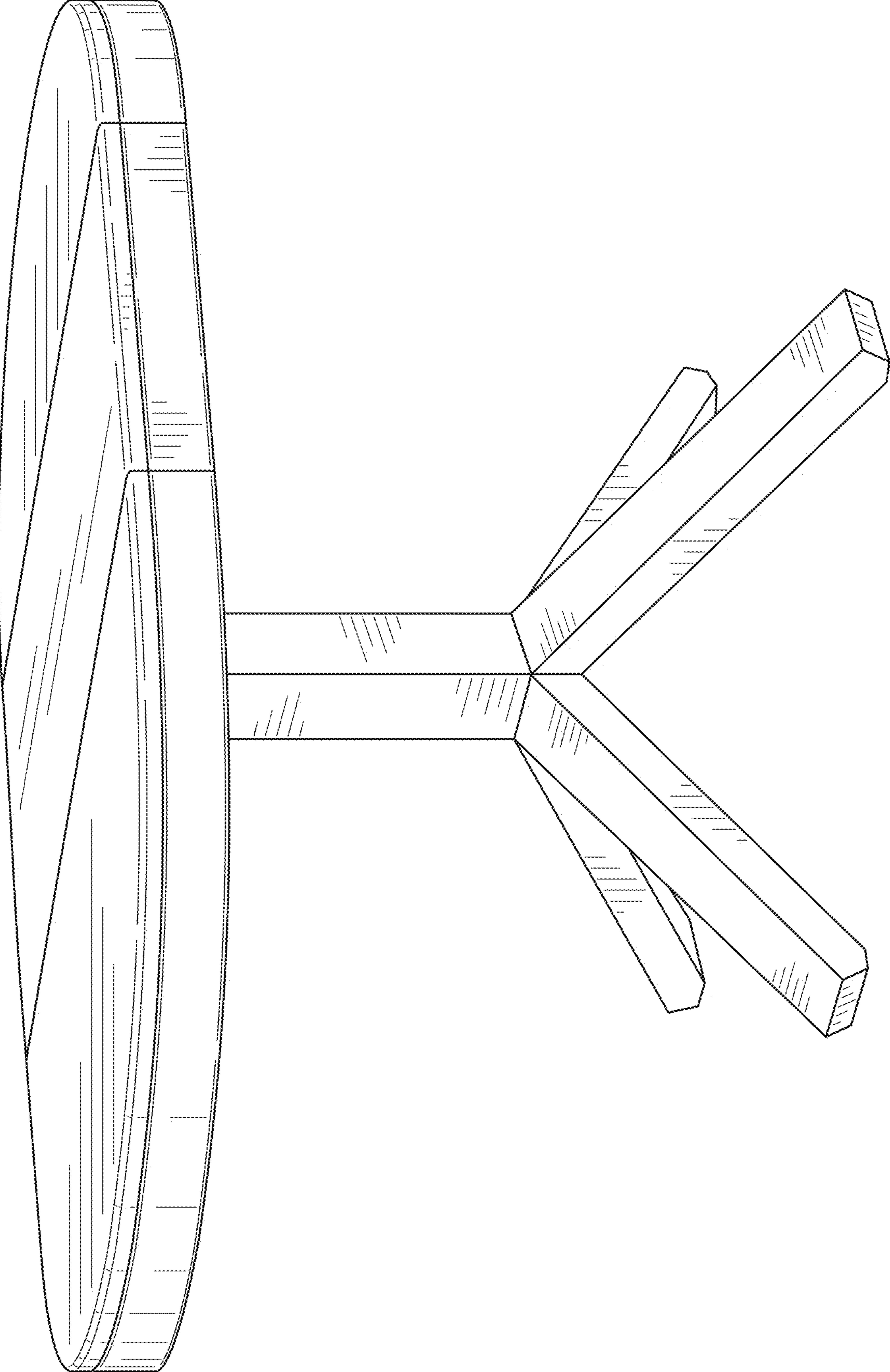


FIG. 6



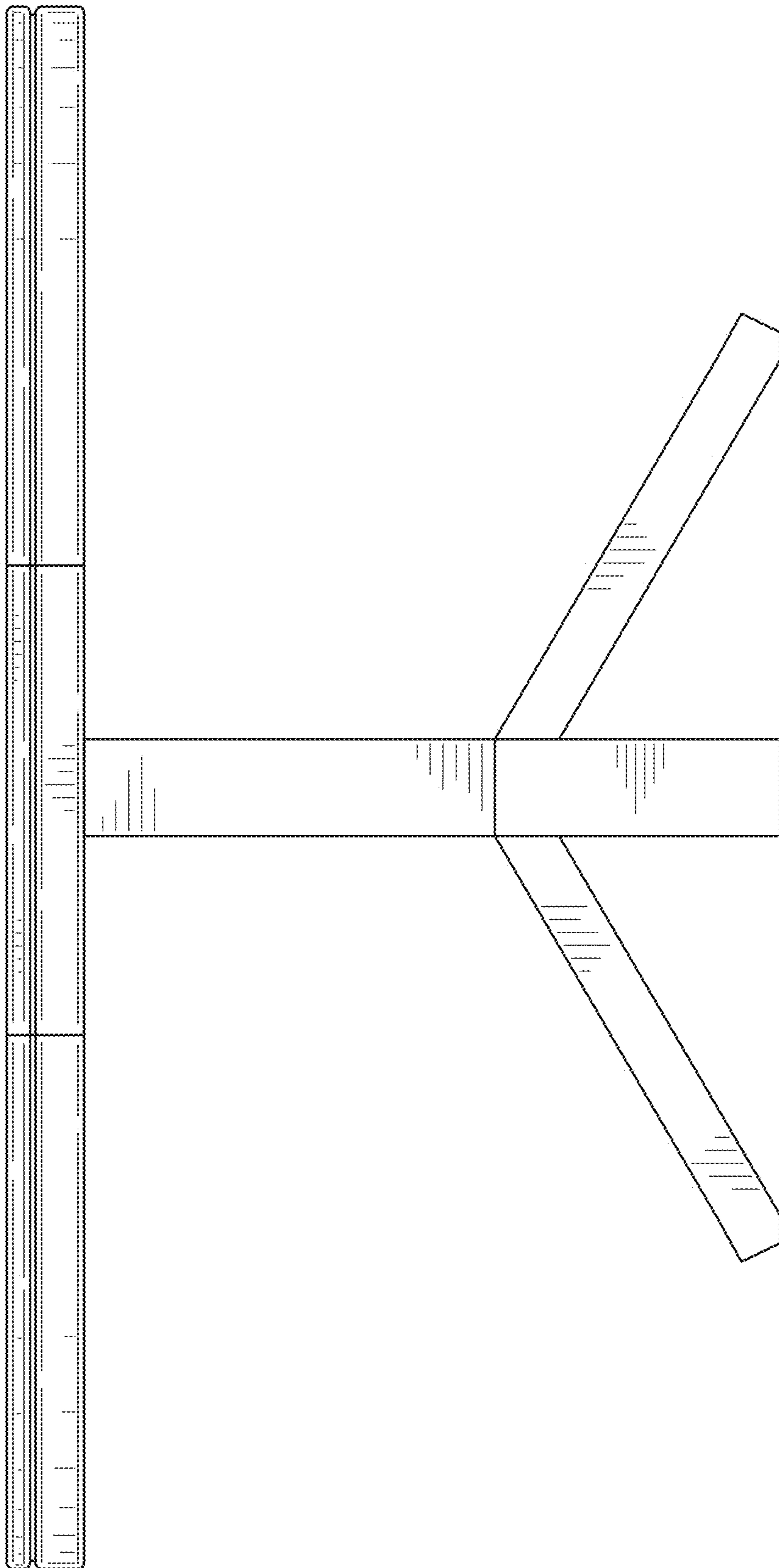


FIG. 7

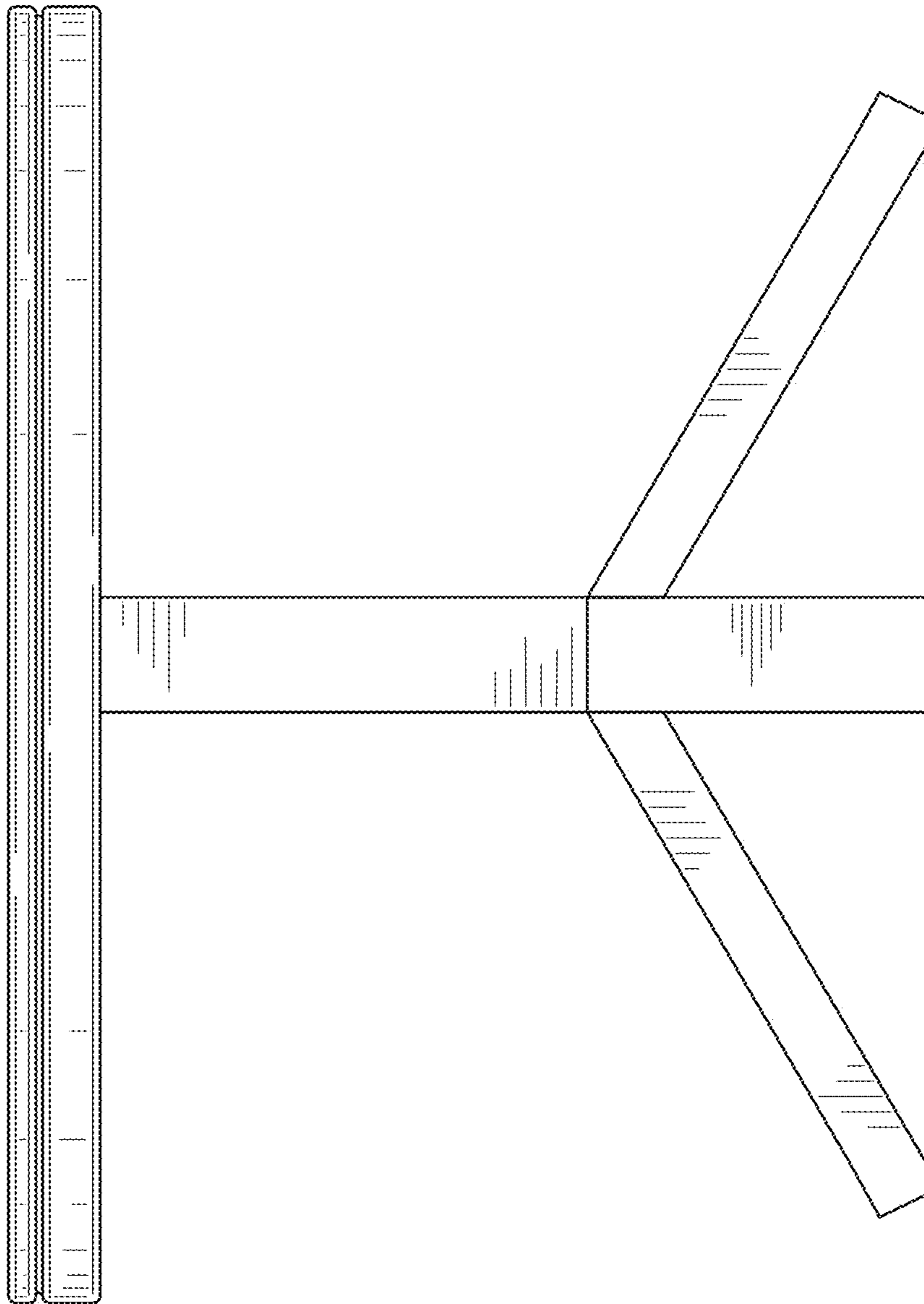


FIG. 8

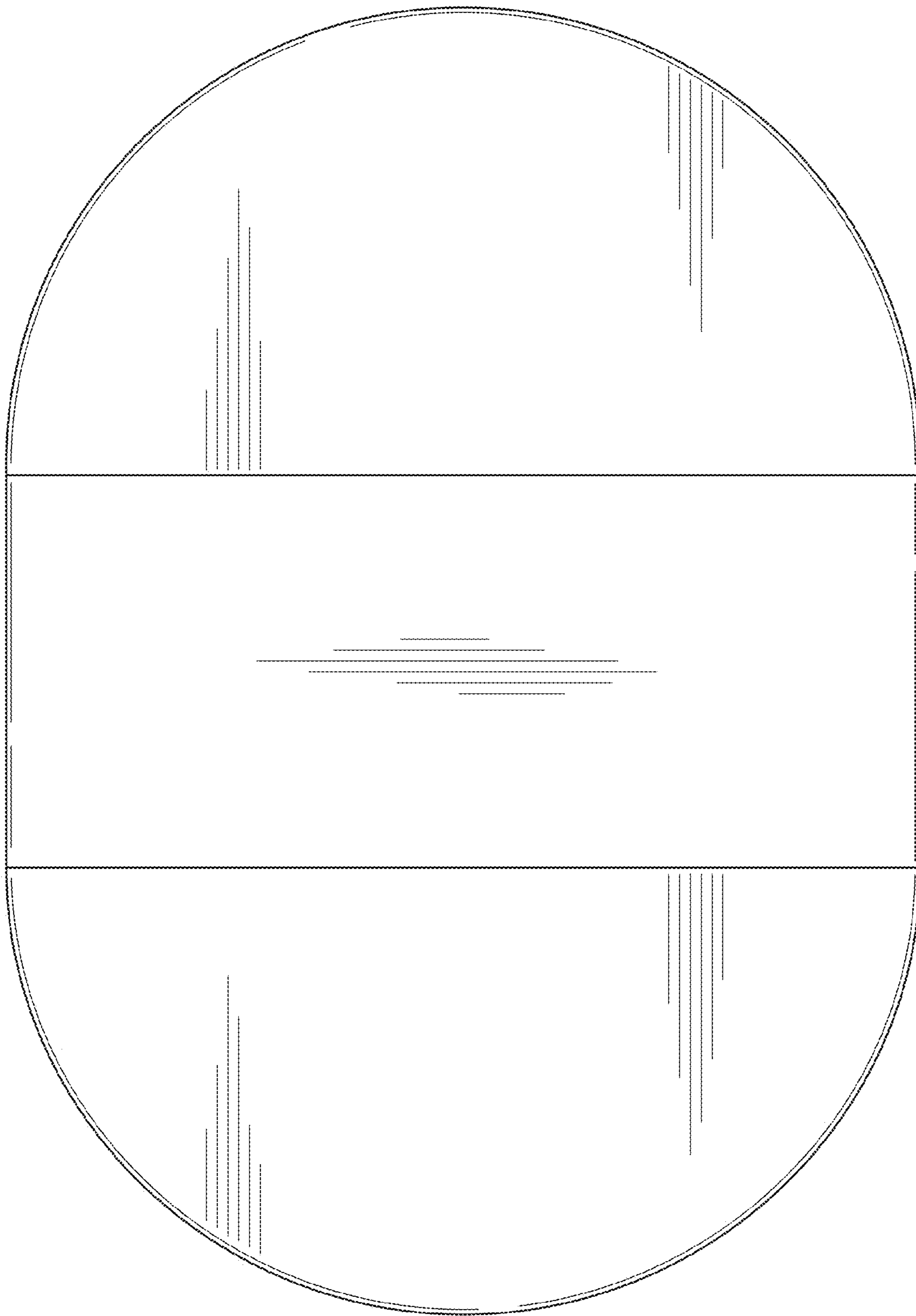


FIG. 9

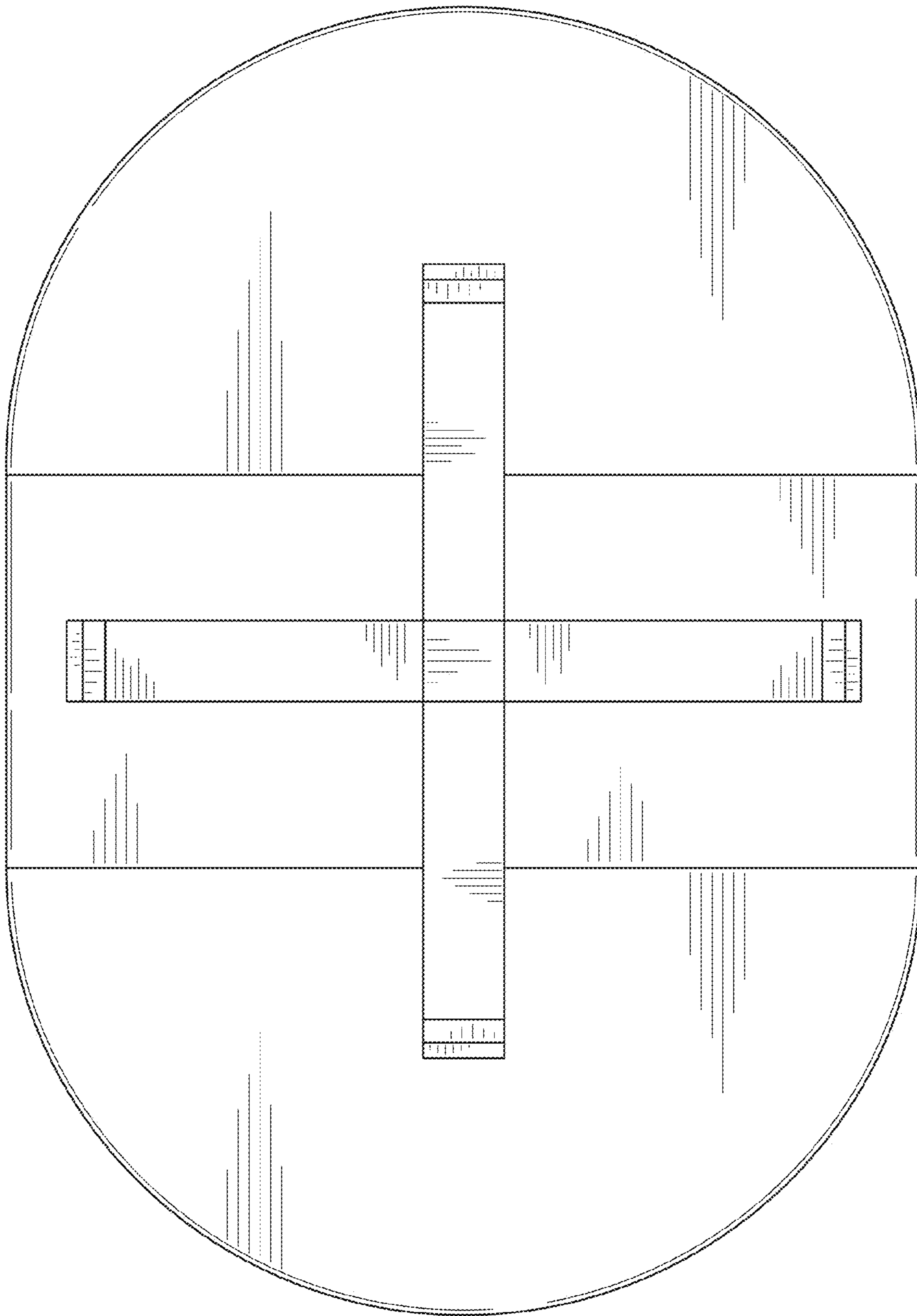


FIG. 10