



US00D953078S

(12) **United States Design Patent**
Brunot

(10) **Patent No.:** **US D953,078 S**

(45) **Date of Patent:** **** May 31, 2022**

(54) **SQUARE TABLE**

D461,336 S * 8/2002 Slear D6/691
D580,682 S * 11/2008 Frinier D6/691
D780,491 S * 3/2017 Magargee D6/691.8

(71) Applicant: **Camille Brunot**, Coligny (CH)

(72) Inventor: **Camille Brunot**, Coligny (CH)

(**) Term: **15 Years**

(21) Appl. No.: **35/510,107**

(22) Filed: **Jun. 9, 2020**

(80) **Hague Agreement Data**

Int. Filing Date: **Jun. 9, 2020**
Int. Reg. No.: **DM/209810**
Int. Reg. Date: **Jun. 9, 2020**
Int. Reg. Pub. Date: **Aug. 21, 2020**

(51) **LOC (13) Cl.** **06-03**

(52) **U.S. Cl.**
USPC **D6/691**

(58) **Field of Classification Search**
USPC D6/349, 685, 686, 690, 691, 691.1-691.9
CPC A47B 7/00; A47B 13/00; A47B 13/02;
A47B 13/04; A47B 13/06; A47B 13/08;
A47B 13/083; A47B 13/10; A47B 13/12;
A47B 21/00; A47B 2200/0001; A47B
2200/0011; A47B 2200/002
See application file for complete search history.

(56) **References Cited**

U.S. PATENT DOCUMENTS

D166,338 S * 4/1952 Petzold D6/691.8
D264,291 S * 5/1982 Haigh D6/691.8
D447,892 S * 9/2001 Shih D6/691

OTHER PUBLICATIONS

Chinese Style Elm Console Table—Cherish <https://www.chairish.com/product/2798271/chinese-style-elm-console-table?gclid=EAlaIqobCh> retrieved from the internet on Jun. 29, 2021.*
Ming Fan—table basse—camille brunot <https://www.camillebrunot.com/product-page/ming-fan-acrylique-table-basse> retrieved from the internet on Jun. 29, 2021.*
Ming Clip—table basse—camille brunot <https://www.camillebrunot.com/product-page/ming-fan-coffee-table> retrieved from the internet on Jun. 29, 2021.*

* cited by examiner

Primary Examiner — Mary Ann Calabrese

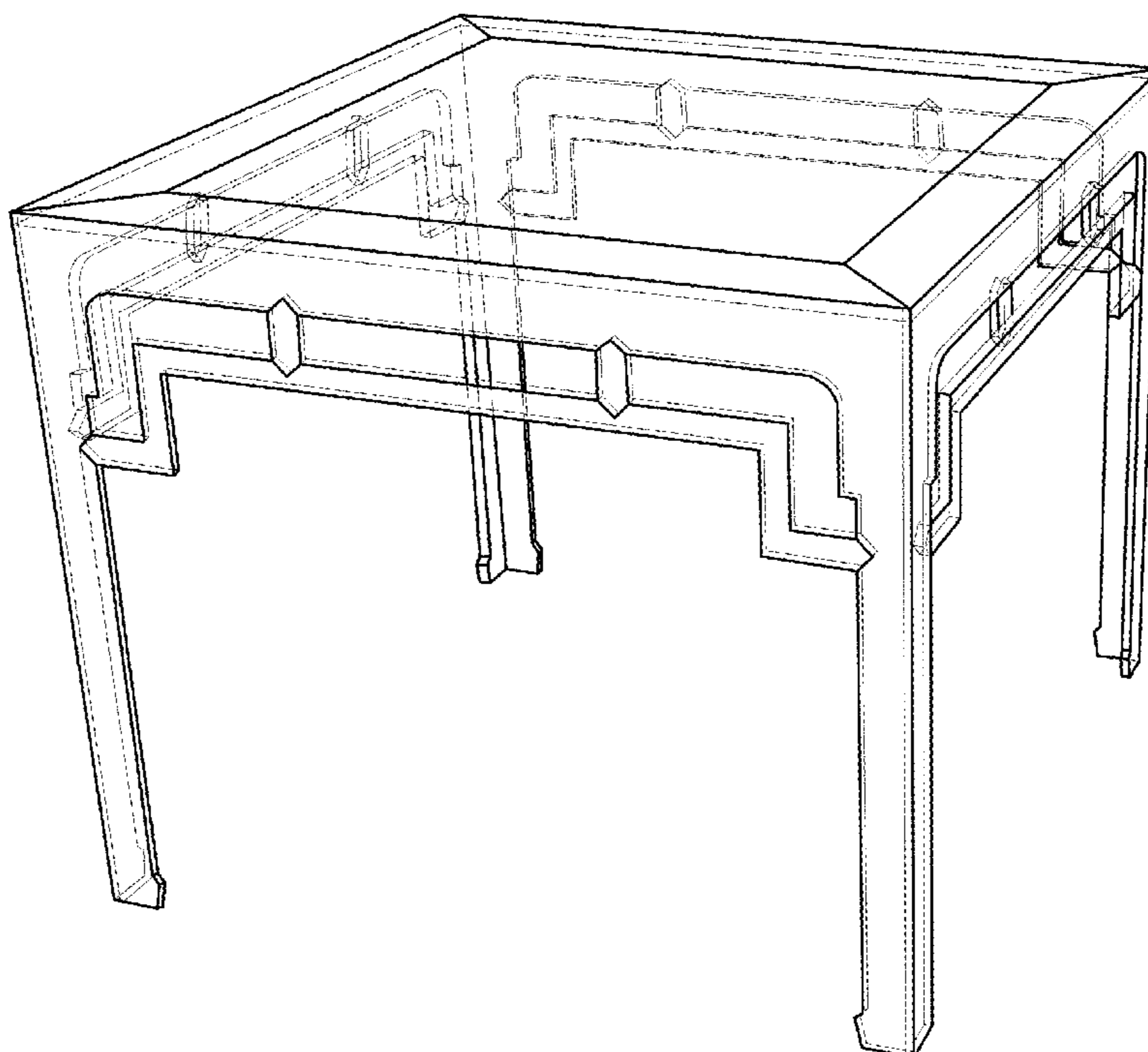
(57) **CLAIM**

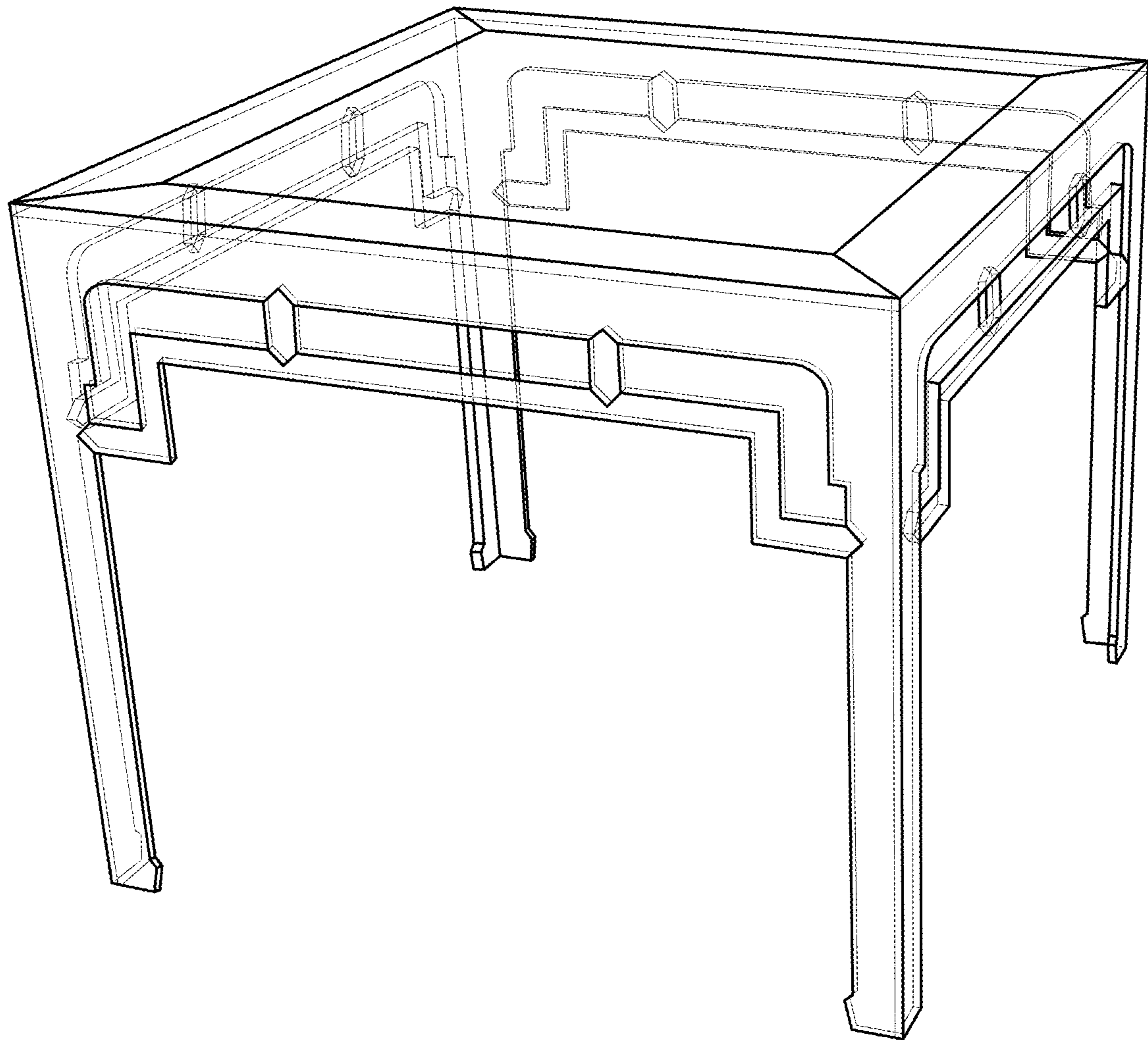
The ornamental design for a square table, as shown and described.

DESCRIPTION

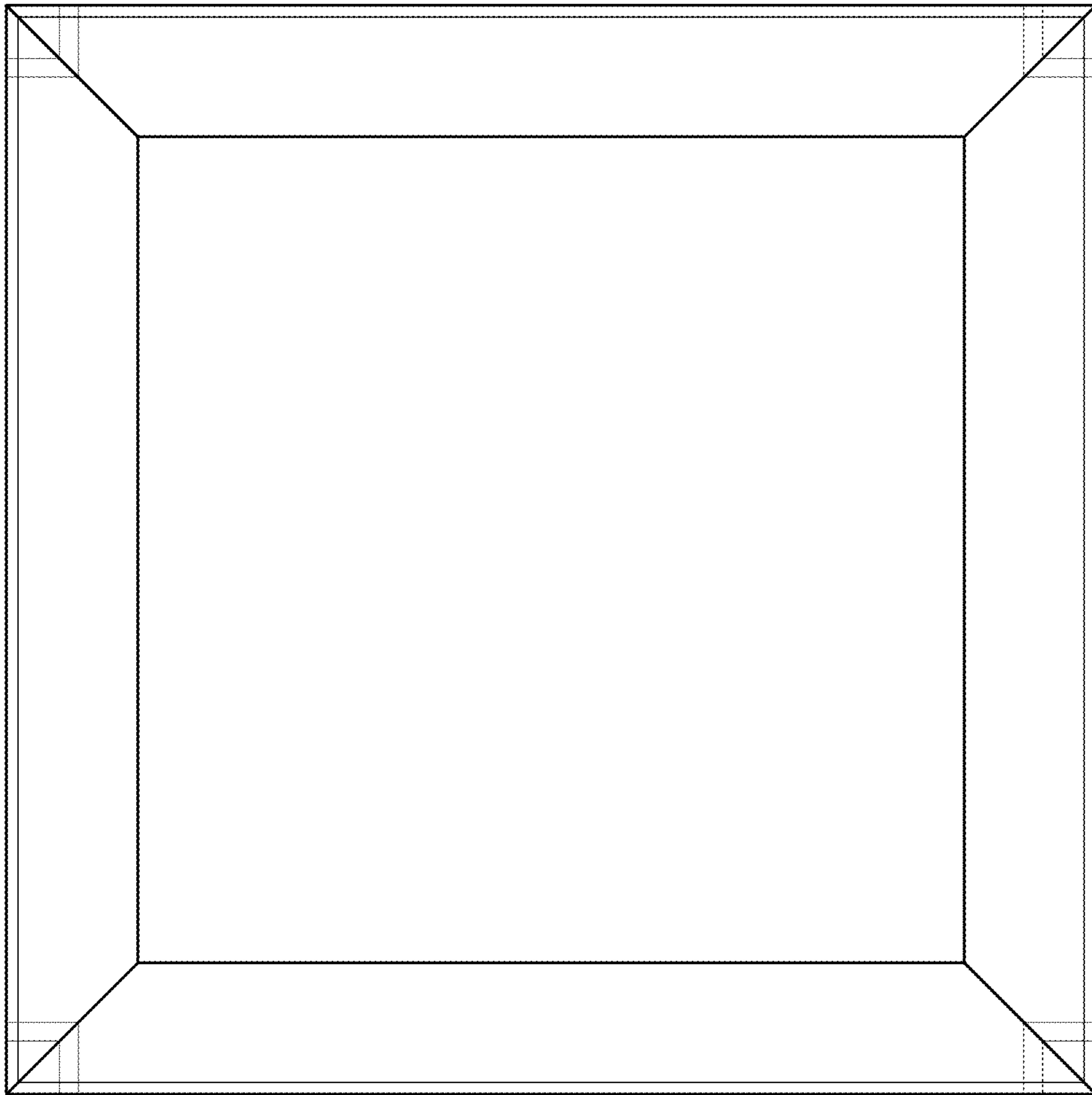
1. Square table
1.1 : Perspective
1.2 : Bottom
1.3 : Top
1.4 : Front
1.5 : Back
1.6 : Left
1.7 : Back
Classic Chinese-inspired acrylic table in square format.

1 Claim, 7 Drawing Sheets

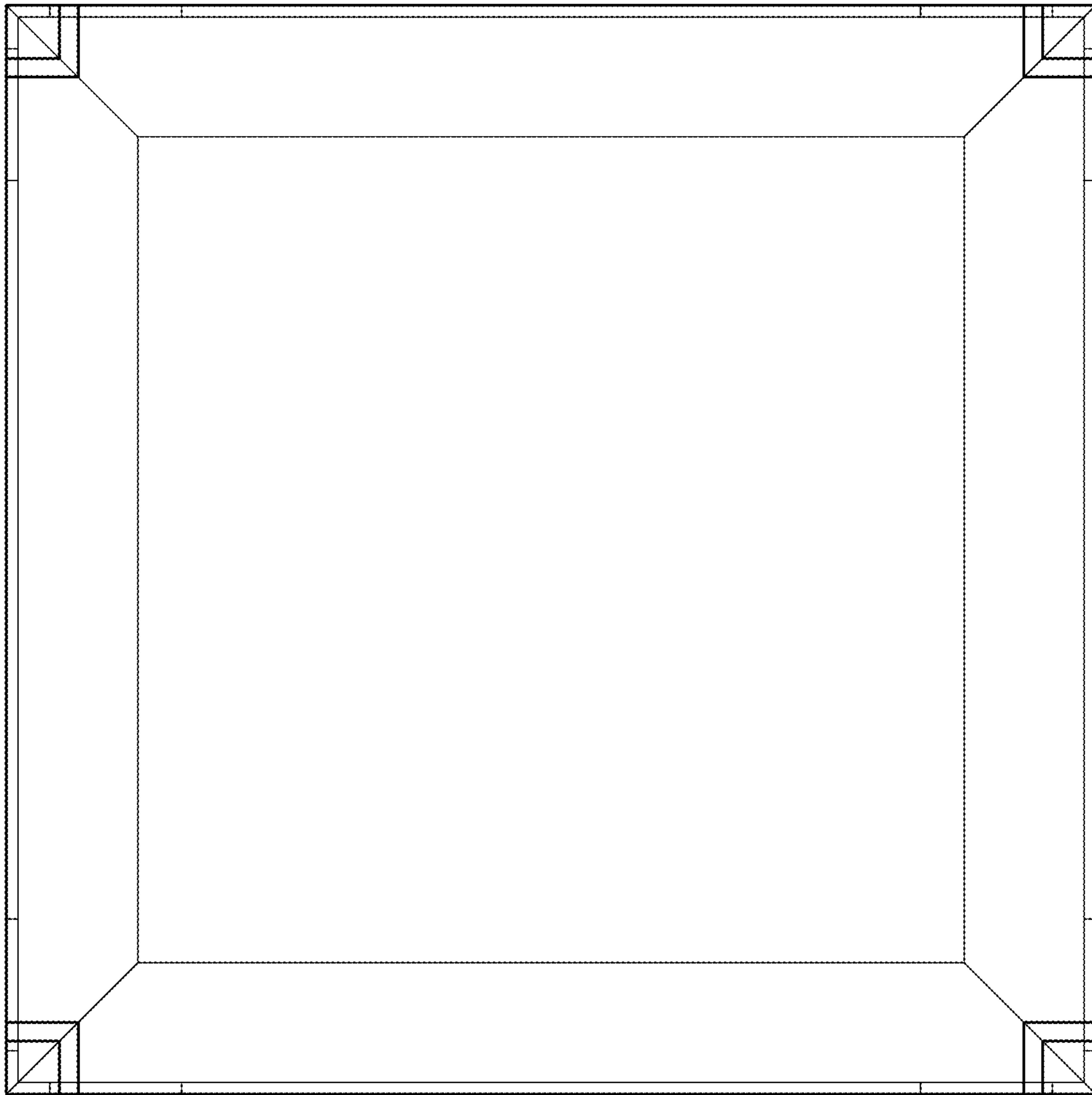




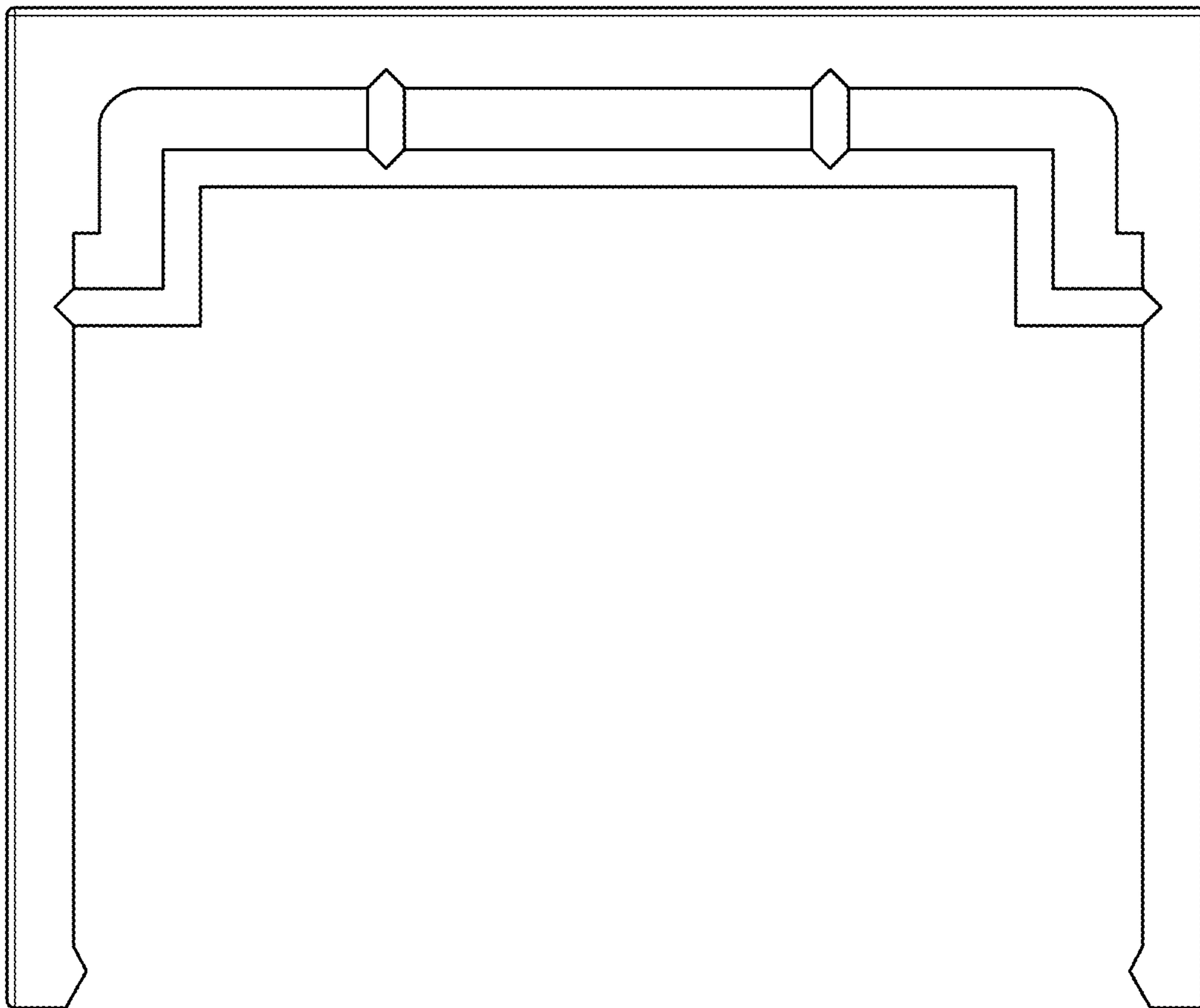
1.1



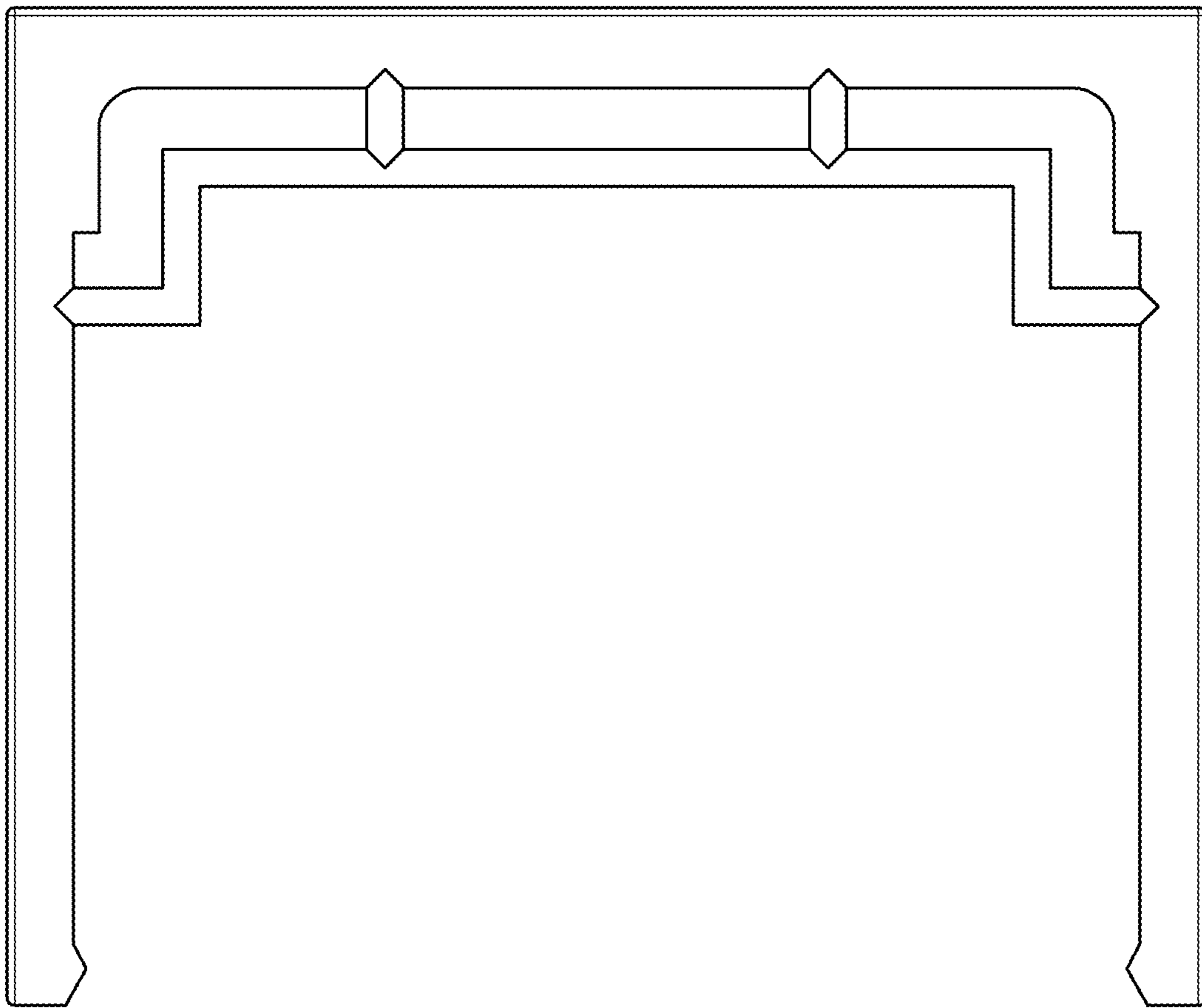
1.2



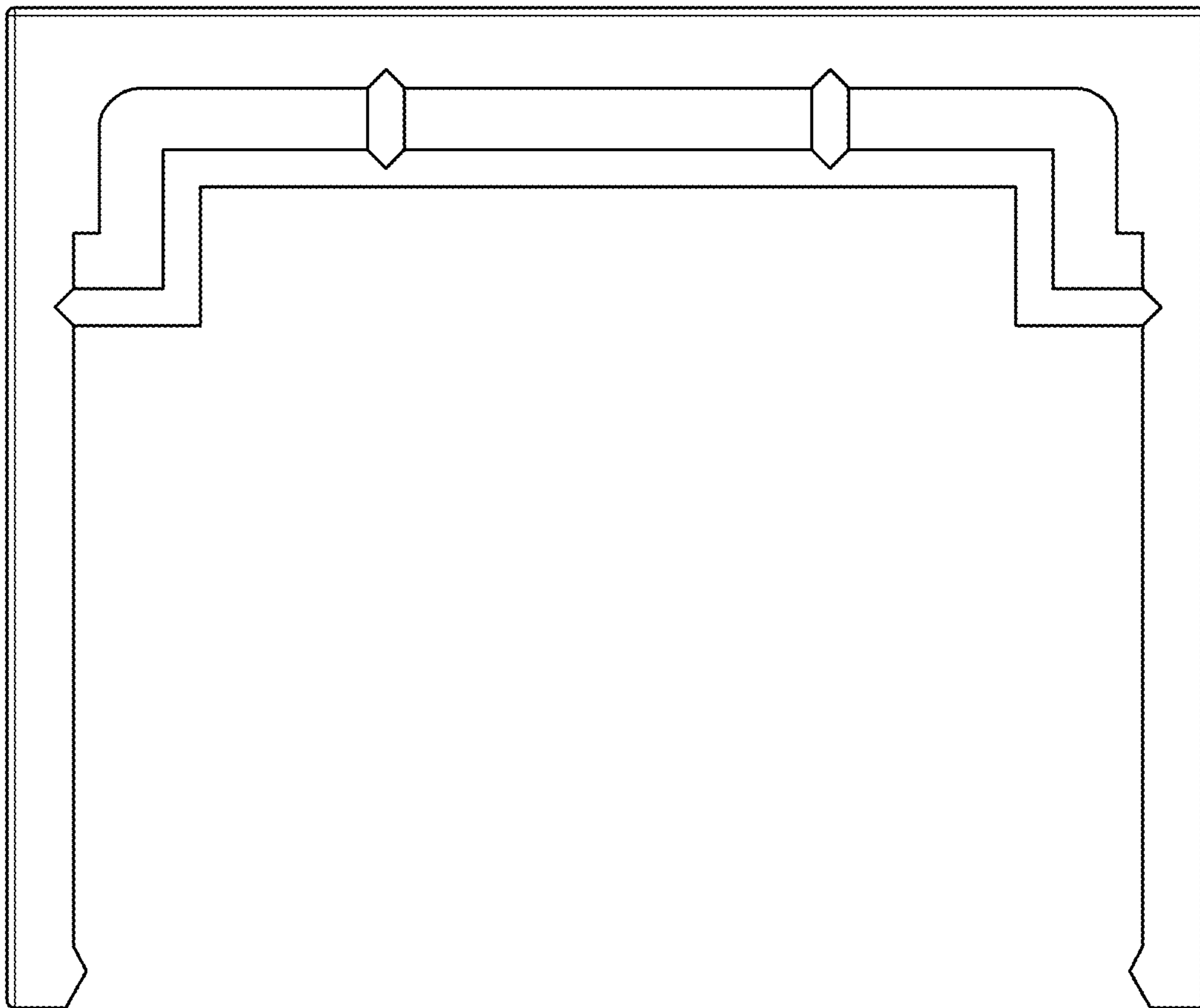
1.3



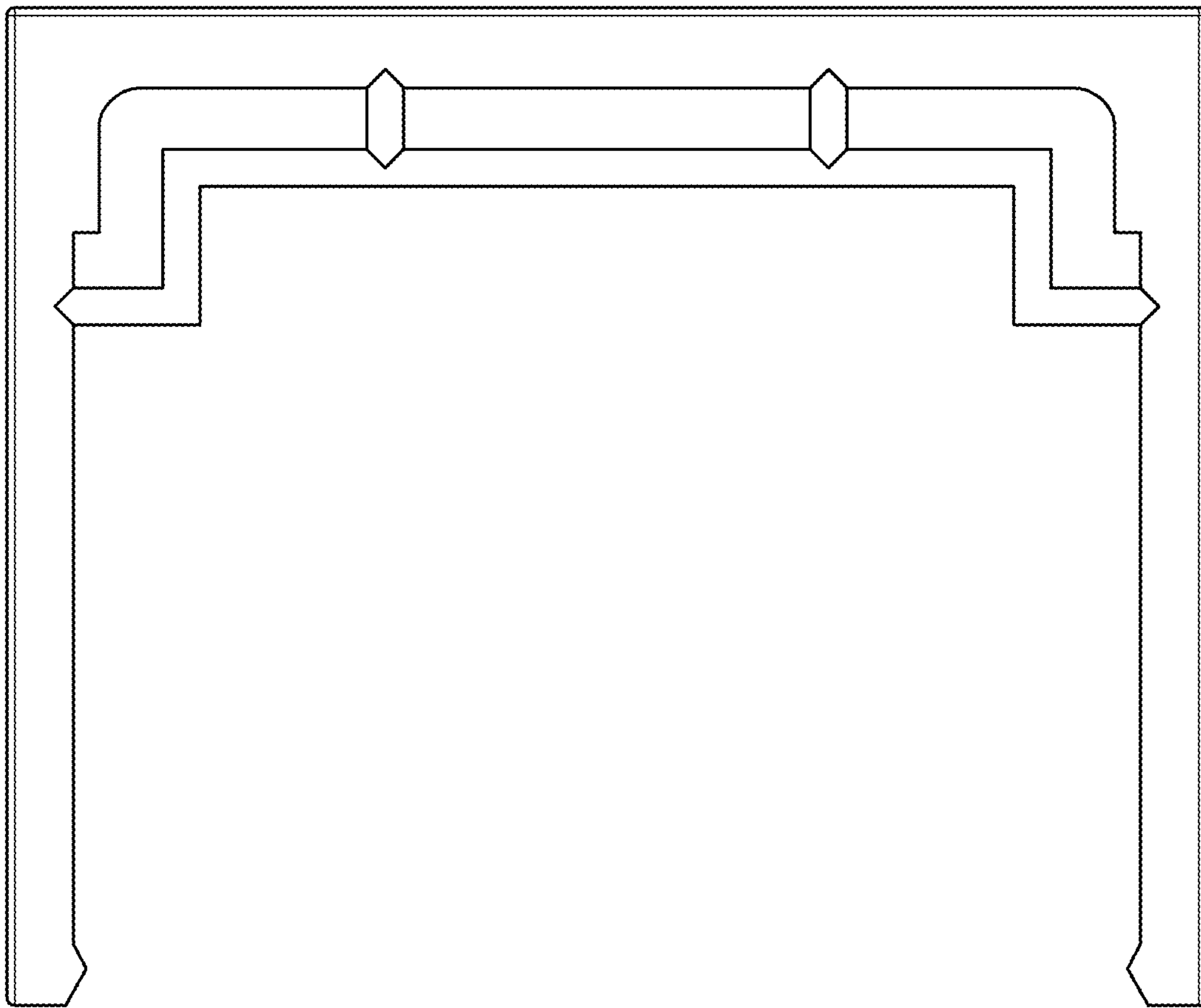
1.4



1.5



1.6



1.7