



US00D953077S

(12) **United States Design Patent**
Zhuang

(10) **Patent No.:** **US D953,077 S**

(45) **Date of Patent:** **** May 31, 2022**

- (54) **METAL RING ARCH**
- (71) Applicant: **Shenzhen Xinyi International Trade Co., Ltd.**, Guangdong (CN)
- (72) Inventor: **Meng Zhuang**, Hunan (CN)
- (**) Term: **15 Years**
- (21) Appl. No.: **29/820,123**
- (22) Filed: **Dec. 20, 2021**
- (51) **LOC (13) Cl.** **06-06**
- (52) **U.S. Cl.**
USPC **D6/677.5**
- (58) **Field of Classification Search**
USPC D11/52; D25/31, 100; D6/672, 673, D6/677, 677.5, 682, 682.1
CPC E04B 1/32; Y10S 362/806; F16L 37/086; A47F 5/02; A47F 7/0057; A47F 7/0078
See application file for complete search history.

- D402,431 S * 12/1998 Peterson D25/100
- D426,878 S * 6/2000 Denney D23/410
- D466,335 S * 12/2002 Dowding D6/403
- 7,766,284 B2 * 8/2010 Boschetto A01G 5/04
D26/9
- D923,946 S * 7/2021 Flaig D6/309
- D940,472 S * 1/2022 LeTourneau D6/309
- 2003/0159345 A1 * 8/2003 Oliver A01G 5/04
47/41.01

* cited by examiner

Primary Examiner — Kelley A Donnelly

(74) *Attorney, Agent, or Firm* — Che-Yang Chen; Law Office of Michael Chen

(57) **CLAIM**

The ornamental design for a metal ring arch, as shown and described.

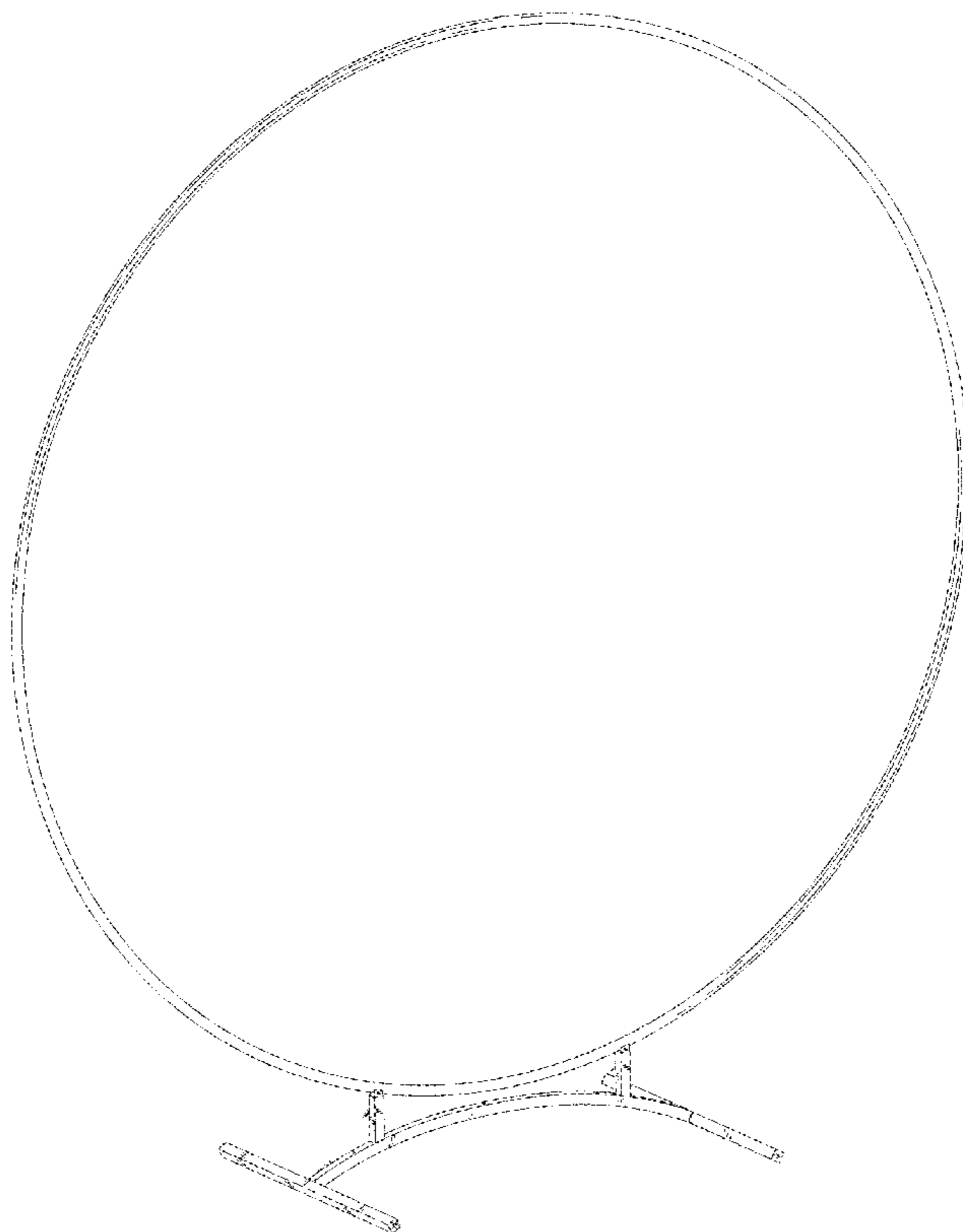
DESCRIPTION

FIG. 1 is a perspective view of the metal ring arch showing my new design;
 FIG. 2 is a perspective view thereof from another angle;
 FIG. 3 is a front elevational view thereof;
 FIG. 4 is a rear elevational view thereof;
 FIG. 5 is a left side elevational view thereof;
 FIG. 6 is a right side elevational view thereof;
 FIG. 7 is a top plan view thereof;
 FIG. 8 is a bottom plan view thereof; and,
 FIG. 9 is an enlarged view of a portion indicated with numeric 9 in FIG. 2.

1 Claim, 9 Drawing Sheets

(56) **References Cited**
 U.S. PATENT DOCUMENTS

- 1,664,019 A * 3/1928 Blackman A01G 9/12
D25/100
- D156,934 S * 1/1950 Burgess D20/10
- D177,234 S * 3/1956 Hudson D23/410
- D194,702 S * 2/1963 P Laneta 248/153
- D237,580 S * 11/1975 Lampinen D23/410
- D274,933 S * 7/1984 Nau D23/410
- D338,357 S * 8/1993 Dworkin D6/678.4
- D344,249 S * 2/1994 Carmichael D11/120



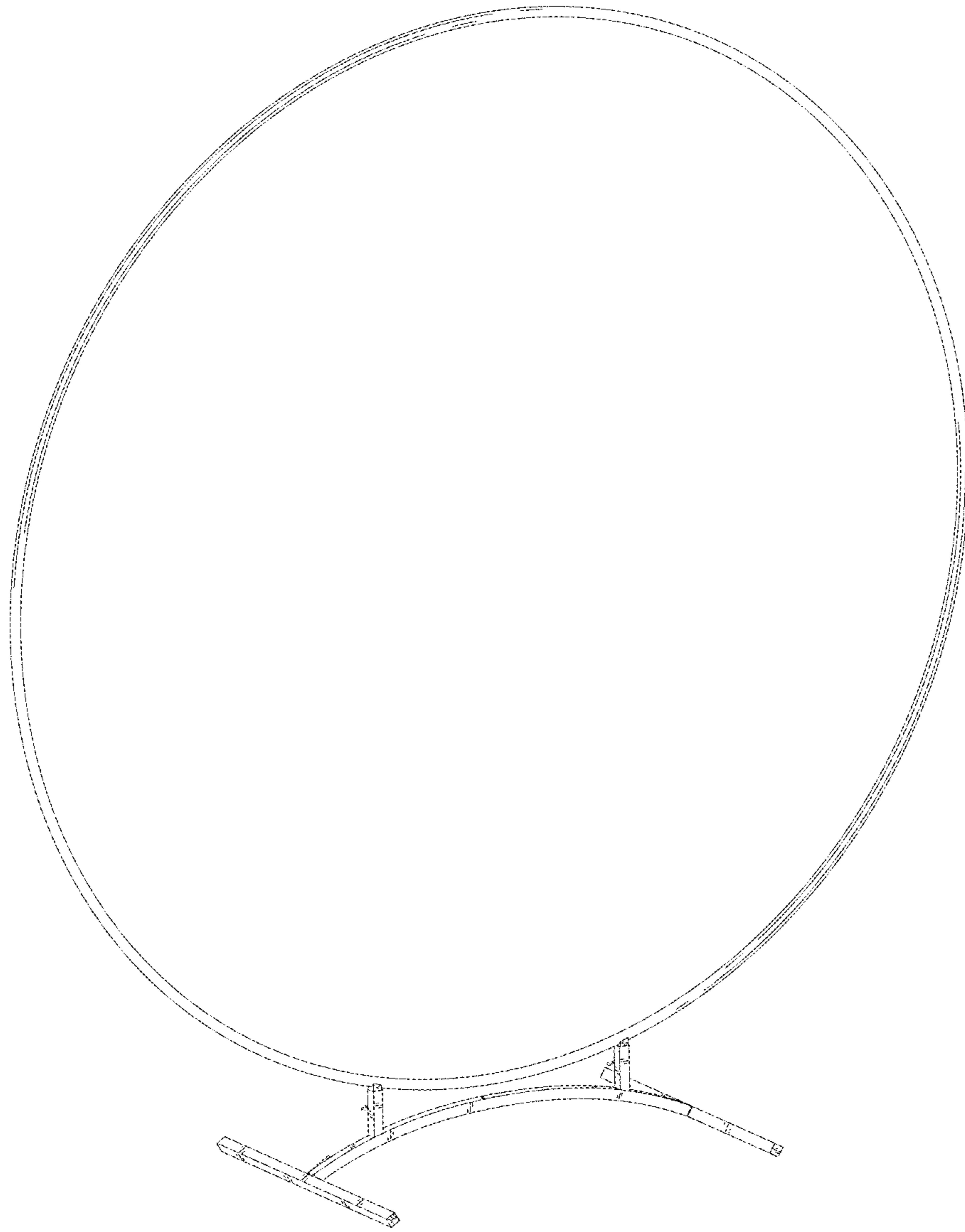


FIG. 1

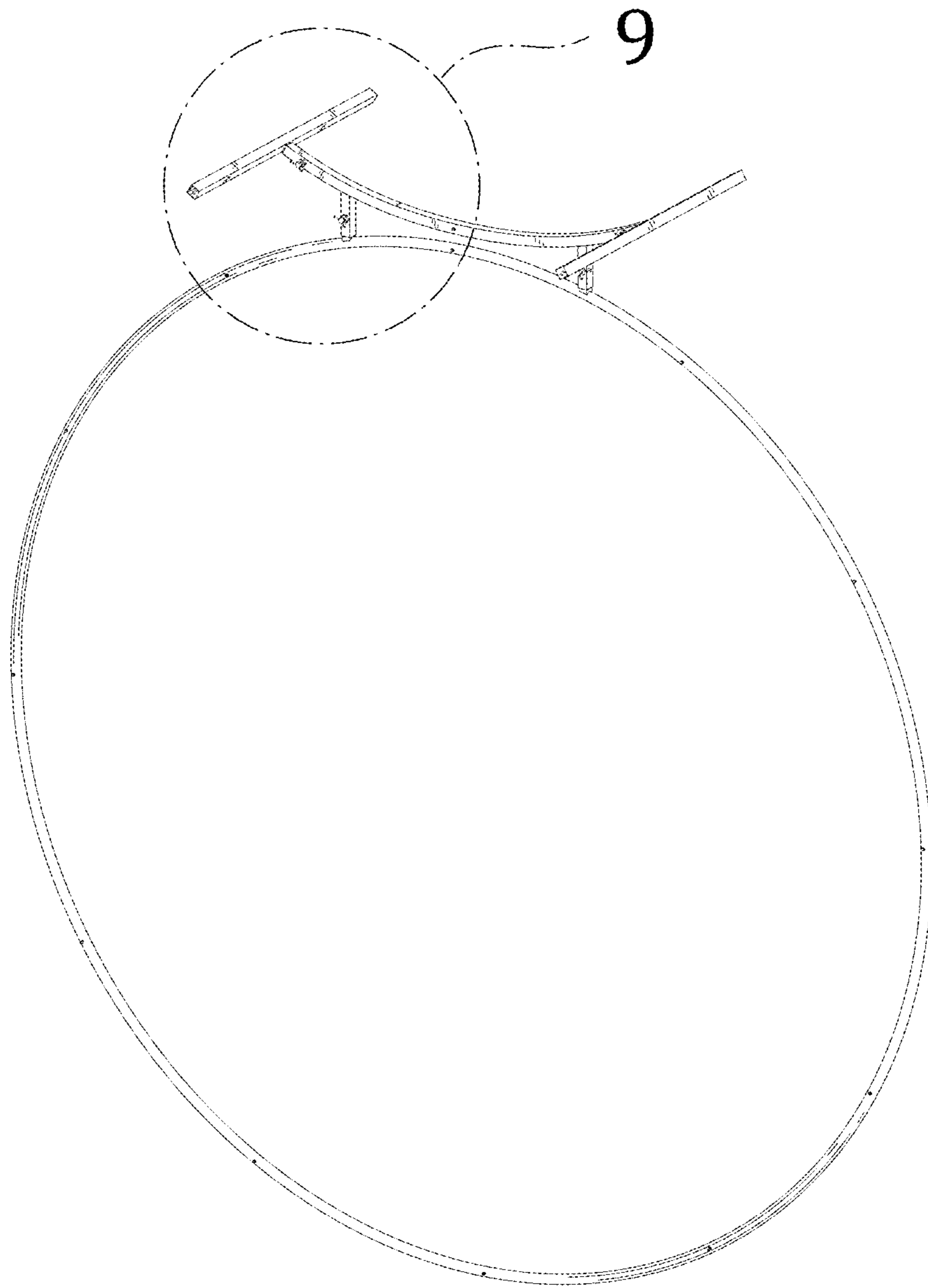


FIG. 2

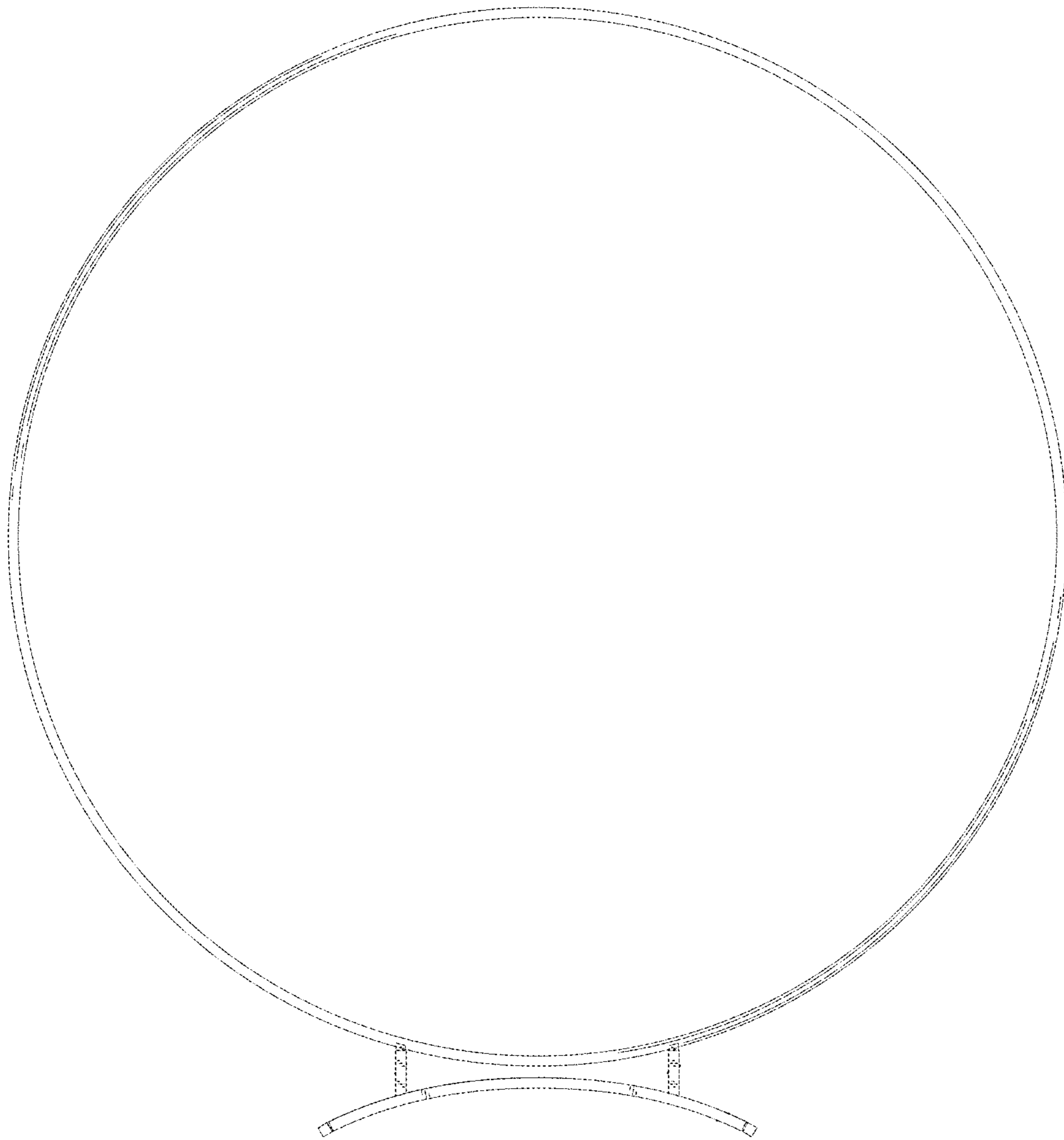


FIG. 3

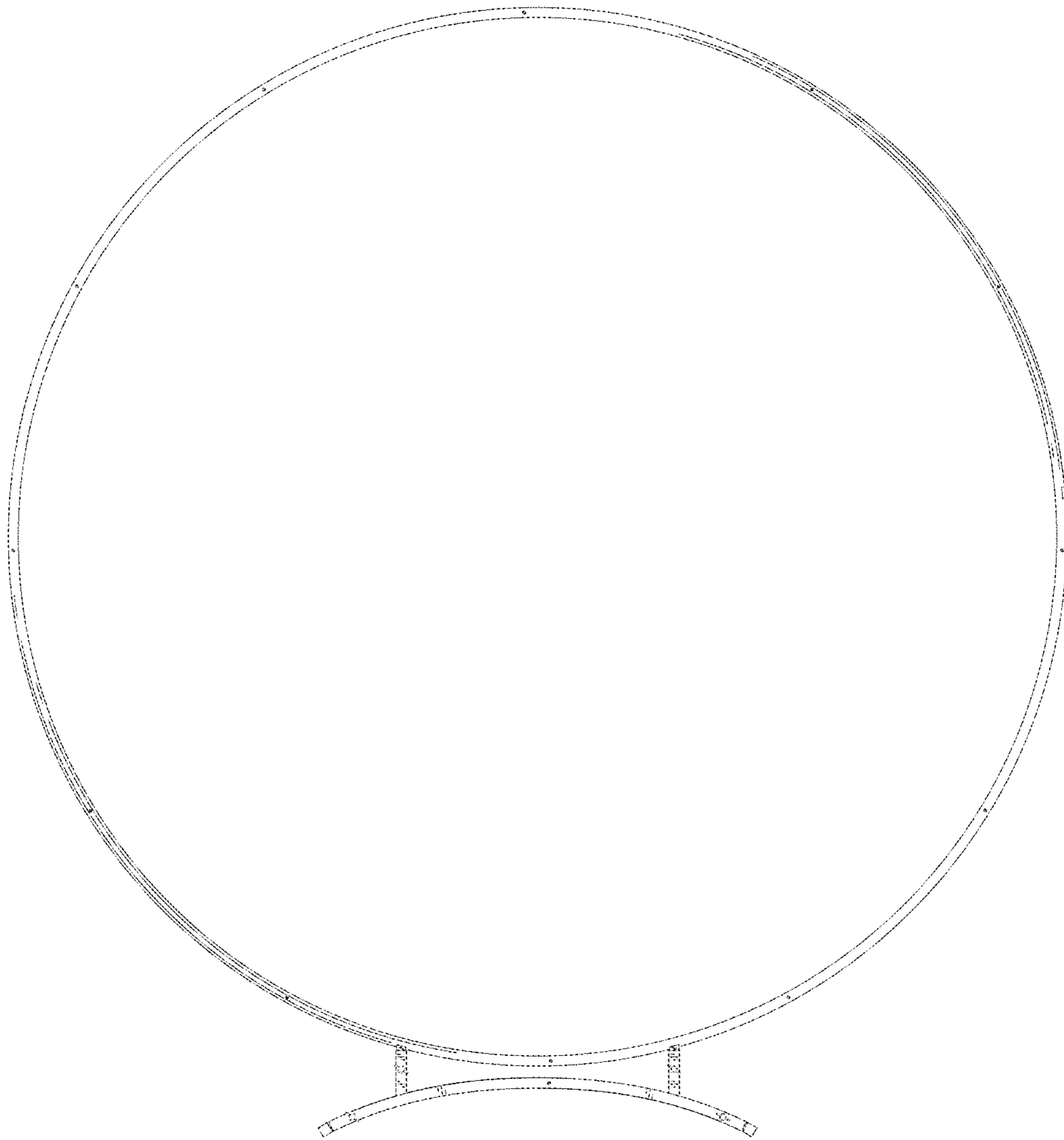


FIG. 4

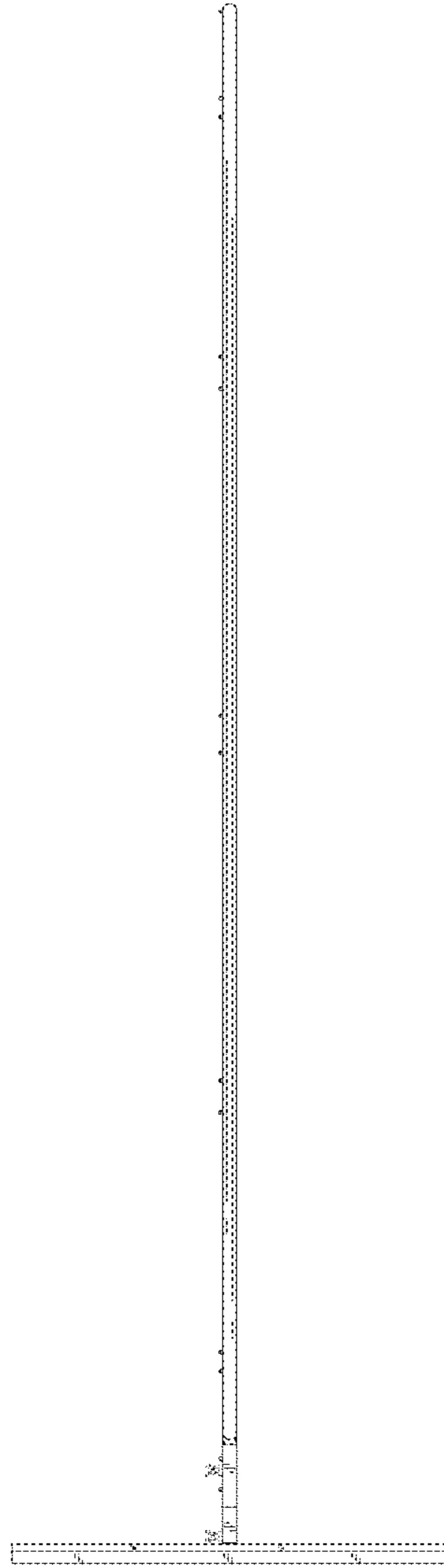


FIG. 5

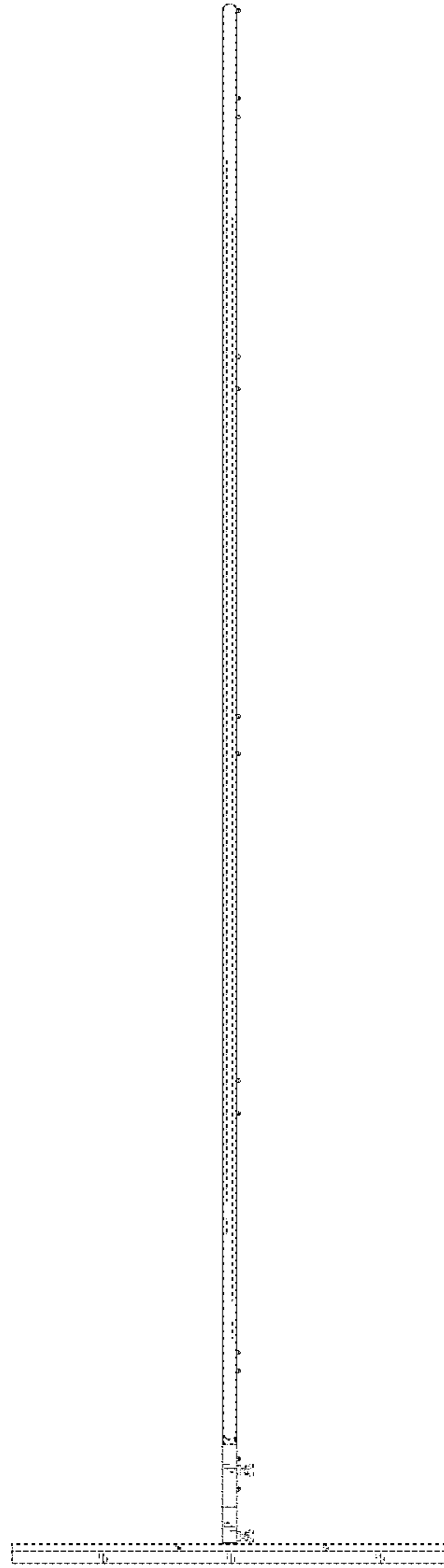


FIG. 6

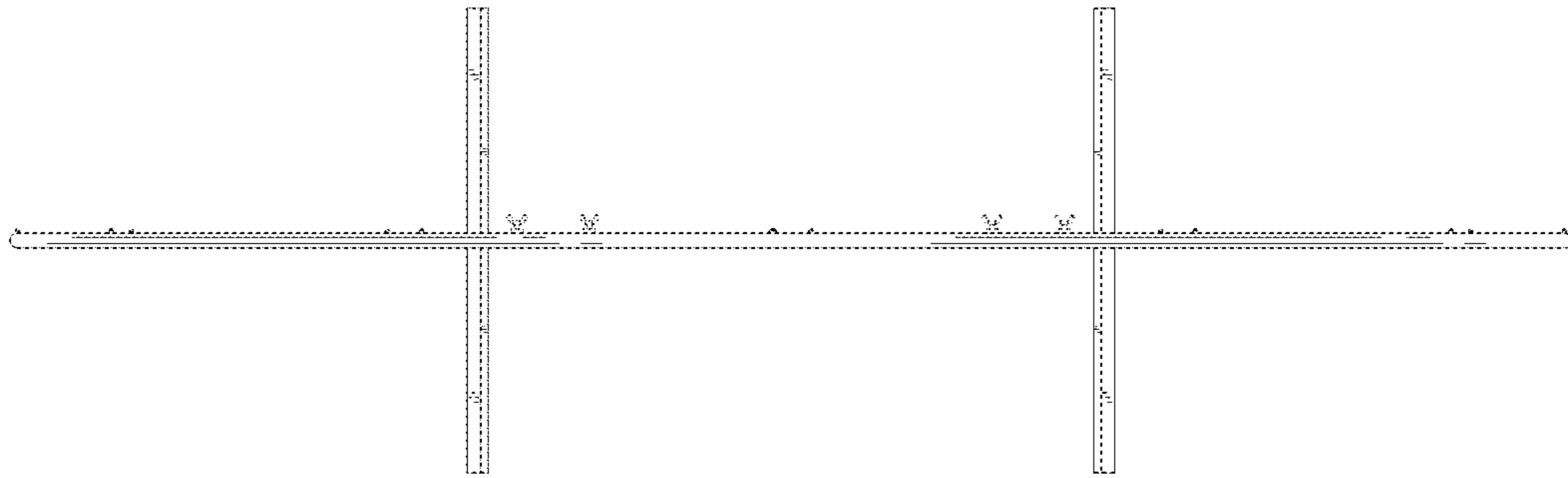


FIG. 7

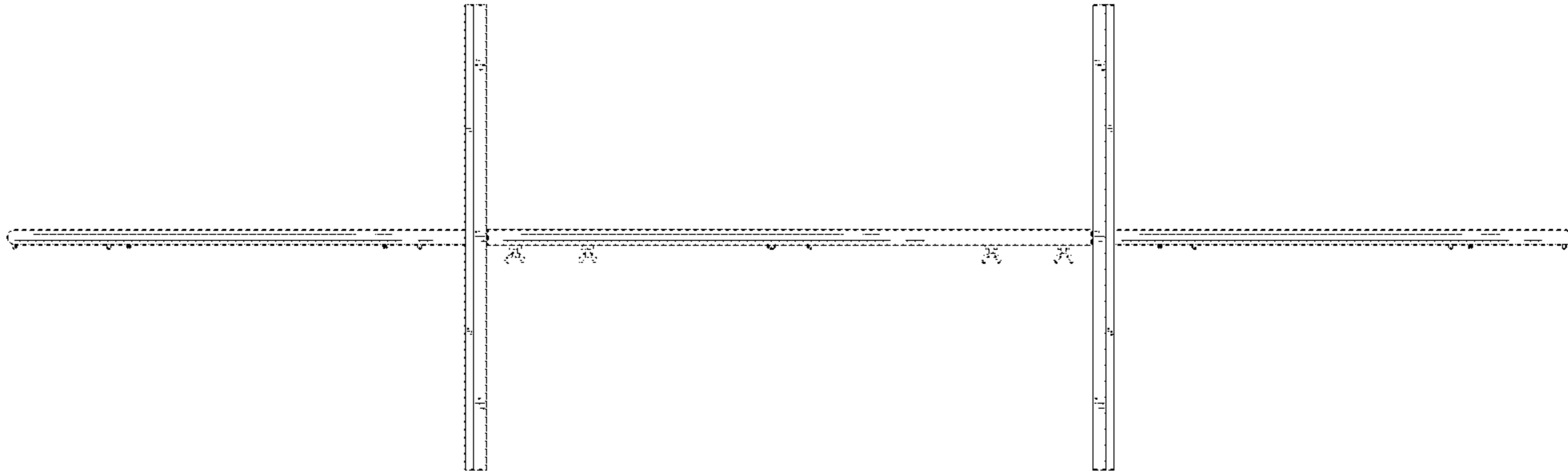


FIG. 8

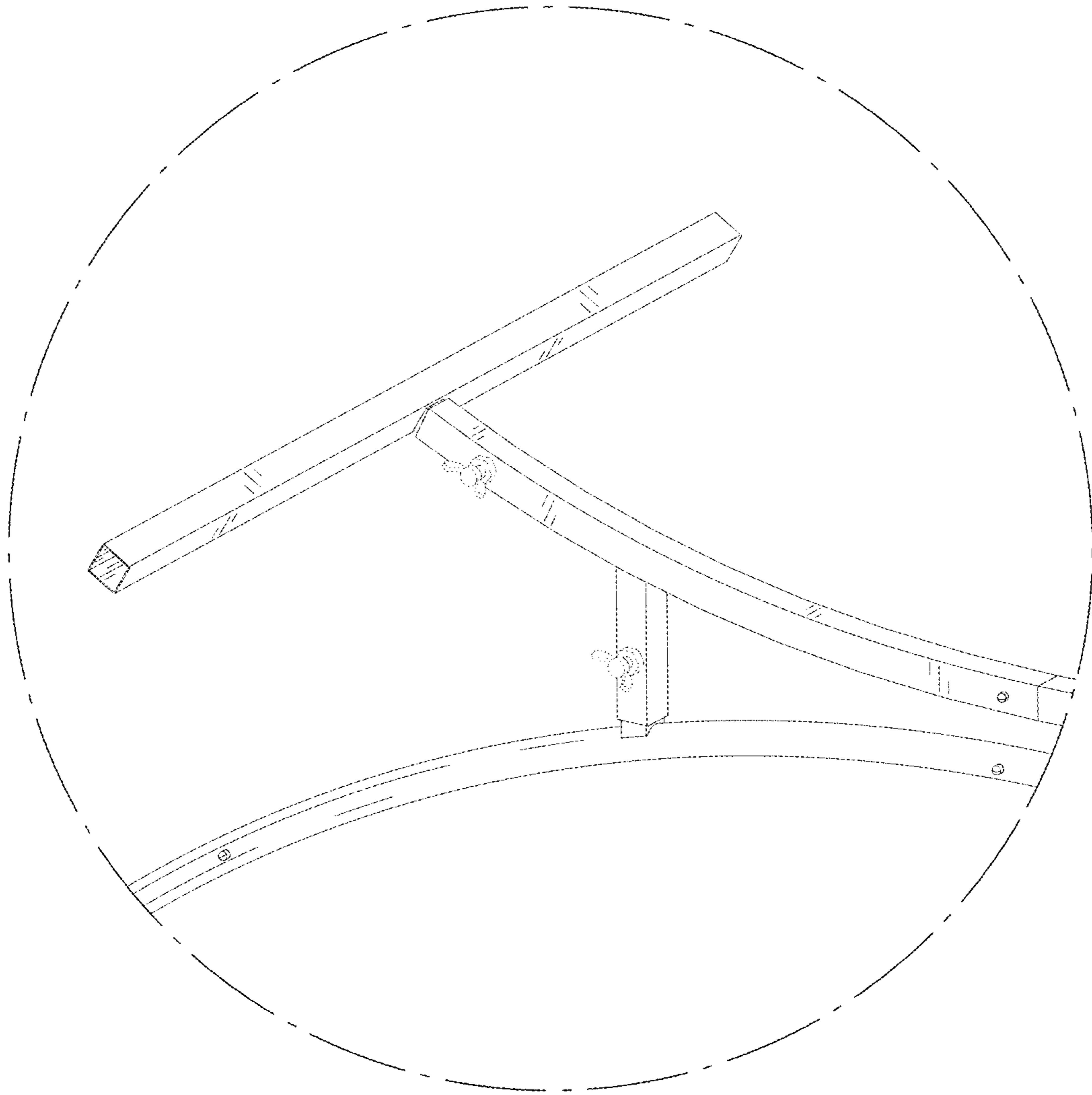


FIG. 9