



US00D953076S

(12) **United States Design Patent** (10) **Patent No.:** **US D953,076 S**  
**Smith et al.** (45) **Date of Patent:** **\*\* May 31, 2022**

(54) **DISPLAY ASSEMBLY**

(71) Applicants: **William Thomas Smith**, Fair Oaks, CA (US); **Cheryl Ann Smith**, Fair Oaks, CA (US)

(72) Inventors: **William Thomas Smith**, Fair Oaks, CA (US); **Cheryl Ann Smith**, Fair Oaks, CA (US)

(73) Assignee: **ALL PLASTIC, INC.**, Rancho Cordova, CA (US)

(\*\*) Term: **15 Years**

(21) Appl. No.: **29/702,730**

(22) Filed: **Aug. 21, 2019**

(51) **LOC (13) Cl.** ..... **06-06**

(52) **U.S. Cl.**  
USPC ..... **D6/677**

(58) **Field of Classification Search**  
USPC ..... D6/677, 677.1, 672, 682, 682.1;  
D27/110, 172, 175, 186; D9/414-416,  
D9/418, 428, 516-517, 737-739  
CPC .... A47F 3/00; A47F 3/005; A47F 3/08; A47F  
3/004; A47F 3/007; A47F 3/14; A47F  
3/145; B65D 23/00; B65D 25/005; B65D  
50/00; B65D 5/25; B65D 5/5206  
See application file for complete search history.

(56) **References Cited**

**U.S. PATENT DOCUMENTS**

1,597,548	A	8/1926	Sharp
1,628,108	A	5/1927	Brown
1,628,330	A	5/1927	Peck et al.
1,646,702	A	10/1927	Moyer
1,743,520	A	1/1930	Baron

(Continued)

**OTHER PUBLICATIONS**

Website photo. Jar Display Light Bar . www.budbardisplays.com.  
Approx. publication date: Oct. 5, 2011. 1 page.

(Continued)

*Primary Examiner* — Kelley A Donnelly

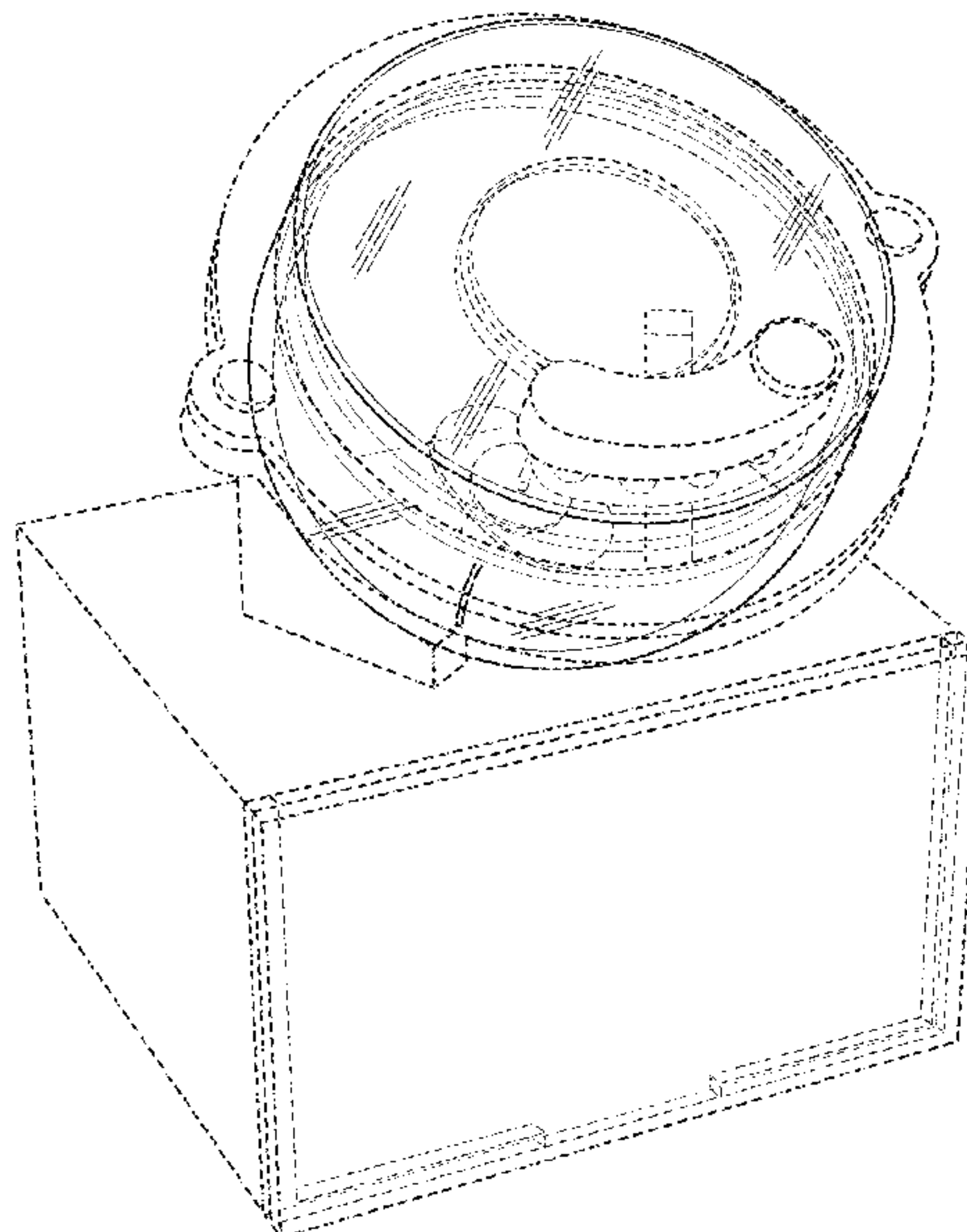
(57) **CLAIM**

The ornamental design for a display assembly, as shown and described.

**DESCRIPTION**

FIG. 1 is a perspective view of a display assembly, showing the display assembly in a resting position and showing our new Design in accordance with said Design; FIG. 2 is a front view of the display assembly shown in FIG. 1; FIG. 3 is a rear view of the display assembly shown in FIG. 1; FIG. 4 is a left-side view of the display assembly shown in FIG. 1; FIG. 5 is a right-side view of the display assembly shown in FIG. 1; FIG. 6 is a top plan view of the display assembly shown in FIG. 1; FIG. 7 is a bottom plan view of the display assembly shown in FIG. 1; and, FIG. 8 is a perspective view of the display assembly shown in FIG. 1, showing the display assembly in a raised position. The broken lines shown in the Figures represent portions of the display assembly that are unclaimed environment, boundaries, contour lines, fold lines, or a combination thereof only, that form no part of the claimed design. All surfaces not shown form no part of the claimed design. The shade lines in the Figures show contour and not surface ornamentation. The oblique line shading in the Figures shows a transparent surface and not surface ornamentation. The appearance of any portion of the display assembly between break lines forms no part of the claimed design.

**1 Claim, 8 Drawing Sheets**



(56)

References Cited

U.S. PATENT DOCUMENTS

1,883,806 A	10/1932	Martin	D740,373 S	10/2015	Martin
D141,059 S	5/1945	Siegel et al.	D756,226 S	5/2016	In et al.
D141,727 S *	6/1945	Toussaint ..... D27/189	D758,847 S	6/2016	Stuart et al.
2,409,814 A	10/1946	Vargish	9,499,373 B1	11/2016	Kim
2,434,860 A	1/1948	Oxley	D782,853 S	4/2017	Foster
D149,460 S *	4/1948	Tunstall ..... D27/186	D784,737 S	4/2017	Kroll
D158,699 S *	5/1950	Wasilevich ..... D6/677	9,625,058 B2	4/2017	Kim
3,086,658 A	4/1963	Palmer	9,630,747 B2	4/2017	Smith et al.
3,127,597 A	3/1964	Lewin et al.	D785,977 S	5/2017	Kroll
D205,123 S	6/1966	Giesecke et al.	D786,668 S	5/2017	Cornaglia
3,393,819 A	7/1968	Van De Walle et al.	D787,840 S	5/2017	Spigler
3,482,731 A	12/1969	Douty	D789,348 S	6/2017	Kim
3,847,305 A	11/1974	Tobin	RE46,460 E	7/2017	Kroll
3,853,263 A	12/1974	Otsuka	9,700,155 B1	7/2017	Theisen et al.
D251,426 S	3/1979	Molyneux	9,744,546 B2	8/2017	Cvetan et al.
D284,777 S	7/1986	Anthony	9,747,765 B1	8/2017	Berglund et al.
D319,150 S	8/1991	Biddlecom	9,788,669 B1	10/2017	Denby et al.
D329,558 S	9/1992	Keown	D806,450 S	1/2018	Seong
D329,763 S	9/1992	Cuminale	D807,086 S	1/2018	Tio et al.
D349,925 S	8/1994	Charron et al.	D812,939 S *	3/2018	Modlin ..... D6/677
D357,603 S	4/1995	Wolff	D812,946 S	3/2018	Chang et al.
D362,123 S	9/1995	Johnston et al.	D813,576 S	3/2018	Schwalbach et al.
D367,560 S	3/1996	Kwan	D814,831 S *	4/2018	Modlin ..... D6/677
D370,355 S	6/1996	Kenney	D824,702 S	8/2018	Tio et al.
D372,131 S	7/1996	Perkins	D827,923 S	9/2018	Whetsei et al.
D393,104 S *	3/1998	Wolff ..... D28/73	D830,744 S	10/2018	Kroll
D396,562 S	8/1998	Kenney	D834,356 S	11/2018	Chapuis et al.
5,794,771 A	8/1998	Krawec et al.	D838,525 S *	1/2019	Guo ..... D6/682.1
D412,074 S	7/1999	DeWitt	D842,627 S	3/2019	Siminoff et al.
D424,330 S	5/2000	DeWitt	D842,628 S	3/2019	Siminoff et al.
D426,205 S	6/2000	Knoop	D843,139 S	3/2019	Burton et al.
6,132,123 A	10/2000	Gueret	D845,681 S	4/2019	Bestard
D437,711 S	2/2001	Berg	D846,922 S	4/2019	Akana et al.
6,205,688 B1	3/2001	Grosser-Samuels	D850,165 S	6/2019	Eads et al.
6,257,399 B1	7/2001	Gursky et al.	D851,459 S	6/2019	Mcgill
D457,011 S	5/2002	Wenner et al.	10,323,440 B1	6/2019	Kelsch
D473,721 S	4/2003	Chu	D855,358 S	8/2019	Adler et al.
D475,930 S	6/2003	Chang	D855,449 S	8/2019	Smith et al.
D482,493 S	11/2003	Lillelund et al.	D856,045 S	8/2019	Schwalbach et al.
D499,890 S	12/2004	Peck	D856,046 S	8/2019	Akana et al.
D500,640 S	1/2005	Lawson et al.	10,384,834 B2	8/2019	Smith et al.
D502,338 S	3/2005	Zanghi et al.	D859,894 S *	9/2019	Smith ..... D6/682.1
D533,330 S	12/2006	Beaulieu	D861,392 S	10/2019	Pedersen et al.
D537,753 S	3/2007	Belokin	D863,053 S *	10/2019	Smith ..... D9/414
D540,068 S	4/2007	Zhang	D865,413 S	11/2019	Chapuis et al.
D540,566 S	4/2007	Scholen et al.	D870,496 S	12/2019	Mesny-Deschamps
D544,727 S *	6/2007	Valdez ..... D6/552	D875,443 S	2/2020	Corbo et al.
D581,681 S	12/2008	Goolrick	D876,945 S *	3/2020	Smith ..... D9/414
D605,883 S	12/2009	Hayes	D877,548 S	3/2020	Brugger et al.
D607,666 S	1/2010	Isbell	D878,826 S	3/2020	Smith et al.
D615,776 S	5/2010	Bauchet	D878,827 S	3/2020	Smith et al.
D628,020 S	11/2010	Lim	D887,184 S	6/2020	Tsuchiyama
D633,730 S	3/2011	Kimmet	D887,383 S *	6/2020	Wang ..... D14/172
D643,231 S	8/2011	Huang	10,687,619 B2	6/2020	Abramov
D646,904 S	10/2011	Feldstein et al.	D889,887 S	7/2020	Dejesus et al.
D649,153 S	11/2011	Symons	D891,253 S *	7/2020	Smith ..... D9/504
D649,594 S	11/2011	Yi et al.	10,722,051 B2	7/2020	Dietlin
D649,807 S	12/2011	Stoepker	D893,923 S	8/2020	Brugger et al.
8,079,478 B2	12/2011	Short et al.	D897,138 S	9/2020	Thain et al.
D655,582 S	3/2012	Matsumoto et al.	D898,490 S	10/2020	Schwalbach et al.
D658,444 S	5/2012	Krasovec Pogorelcnik	10,803,718 B2	10/2020	Sankey
D662,366 S	6/2012	Smyers et al.	D900,511 S	11/2020	Feder et al.
D676,852 S	2/2013	Lohman	D900,512 S	11/2020	Ouyang
D682,045 S	5/2013	Myoung	D900,514 S	11/2020	Li
D683,141 S	5/2013	Symons	D901,948 S	11/2020	Burton et al.
D685,610 S	7/2013	Bangert	D908,484 S *	1/2021	Smith ..... D9/428
8,474,654 B2	7/2013	Snow et al.	D911,754 S	3/2021	Bestard
D690,137 S	9/2013	Kikkert et al.	D913,021 S	3/2021	Ouyang
D690,138 S	9/2013	Kikkert et al.	D914,405 S	3/2021	Denby
D693,607 S	11/2013	Johnson et al.	D914,412 S *	3/2021	Angeles ..... D6/677
D695,845 S	12/2013	Philips	D917,235 S	4/2021	Manska et al.
D696,727 S	12/2013	Kim	D917,936 S	5/2021	Brugger et al.
D698,641 S	2/2014	Theisen et al.	D917,937 S	5/2021	Dejesus et al.
D722,794 S	2/2015	Luong	D918,042 S *	5/2021	Smith ..... D9/504
D730,091 S	5/2015	Chan	D918,050 S *	5/2021	Smith ..... D9/549
			D923,982 S	7/2021	Thain et al.
			2007/0051826 A1	3/2007	Schofield
			2008/0023347 A1	1/2008	Wahl et al.
			2009/0161373 A1	6/2009	Teng et al.



(56)

**References Cited**

## U.S. PATENT DOCUMENTS

2009/0275000	A1	11/2009	Jung et al.	
2010/0282924	A1	11/2010	Boies	
2011/0309928	A1	12/2011	Henson et al.	
2013/0306516	A1	11/2013	Dougherty et al.	
2014/0106608	A1	4/2014	Howarth et al.	
2014/0152441	A1	6/2014	Tinti	
2014/0159898	A1	6/2014	Wheeler et al.	
2015/0091729	A1	4/2015	Phillips et al.	
2016/0031605	A1	2/2016	Bean et al.	
2016/0223126	A1	8/2016	Mireles	
2018/0049563	A1	2/2018	Henson et al.	
2018/0134447	A1	5/2018	Zimmer	
2018/0160828	A1	6/2018	Turner et al.	
2018/0213946	A1	8/2018	Vanos et al.	
2018/0282011	A1	10/2018	Evans	
2018/0322748	A1	11/2018	Henson et al.	
2020/0113353	A1 *	4/2020	Bigioni .....	A47F 3/145
2020/0146422	A1 *	5/2020	Kamboj .....	A45D 40/24
2021/0219744	A1 *	7/2021	Smith .....	A47F 3/002
2021/0244201	A1	8/2021	Galant	

## OTHER PUBLICATIONS

Website photo. Canna-Pod Jar Bar Display , [www.budbardisplays.com](http://www.budbardisplays.com). Approx. publication date: Sep. 19, 2017 , 1 page.

Facebook publication, Bud Goblet™ , dated Jan. 4, 2018, retrieved from <https://www.facebook.com/BudBarDisplays/photos/a.1030074283701466/1817087991666754/?type=3&theater>.

Facebook publication, Sampling table + Bud Goblet™ , dated Apr. 20, 2018, retrieved from <https://www.facebook.com/BudBarDisplays/photos/a.1030074283701466/1960976007277951/?type=3&theater>.

\* cited by examiner

Fig. 1

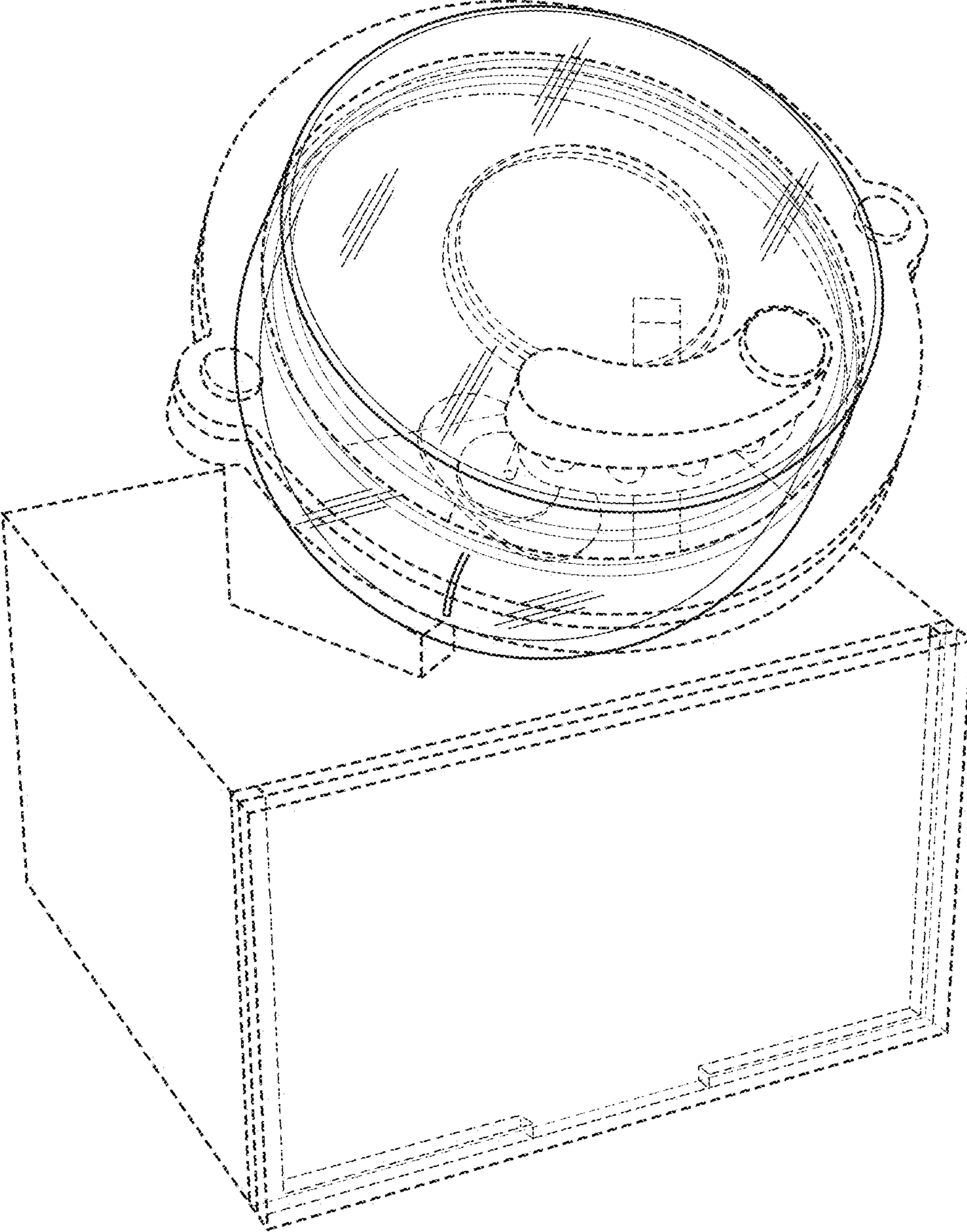


Fig. 2

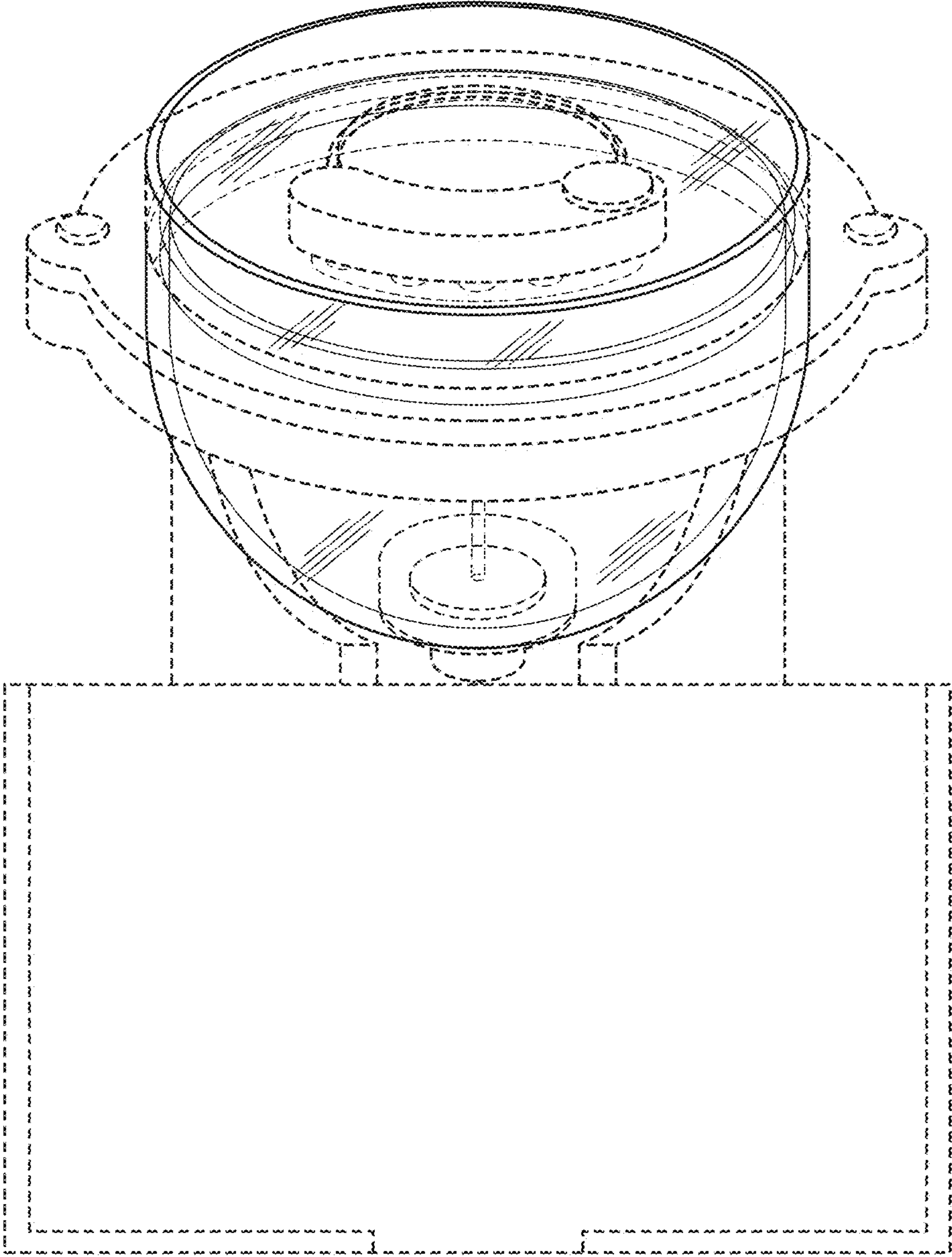


Fig. 3

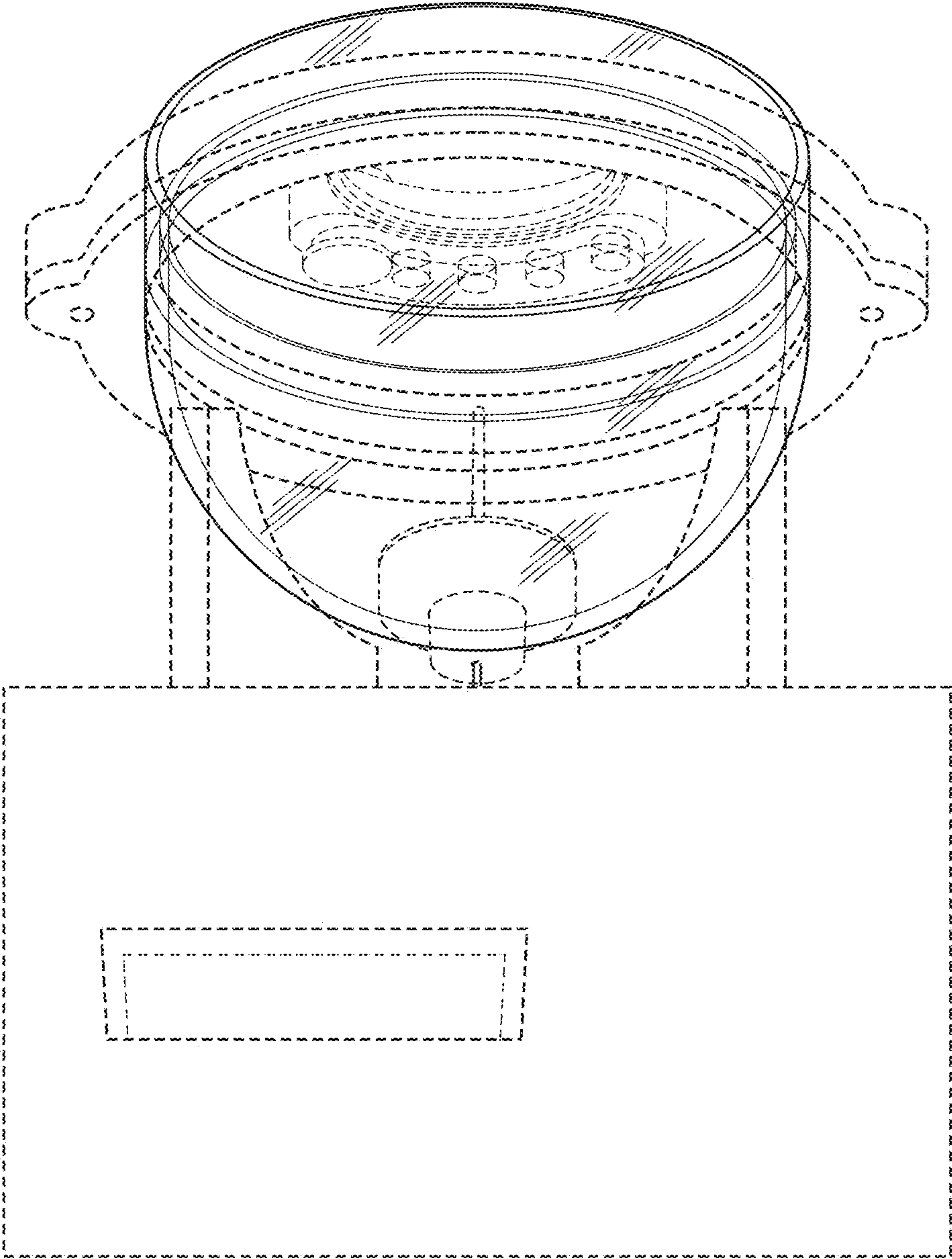




Fig. 4

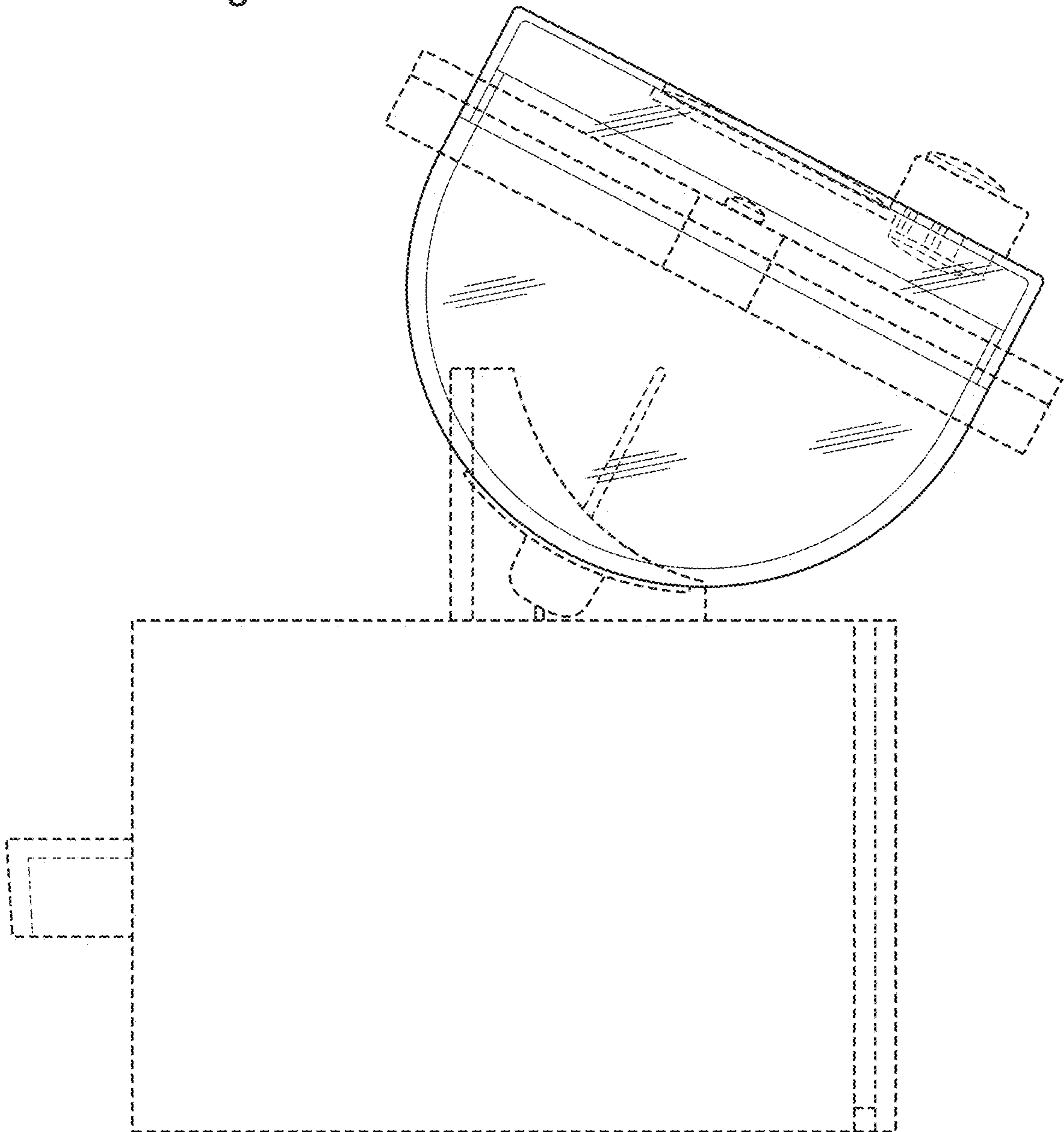


Fig. 5

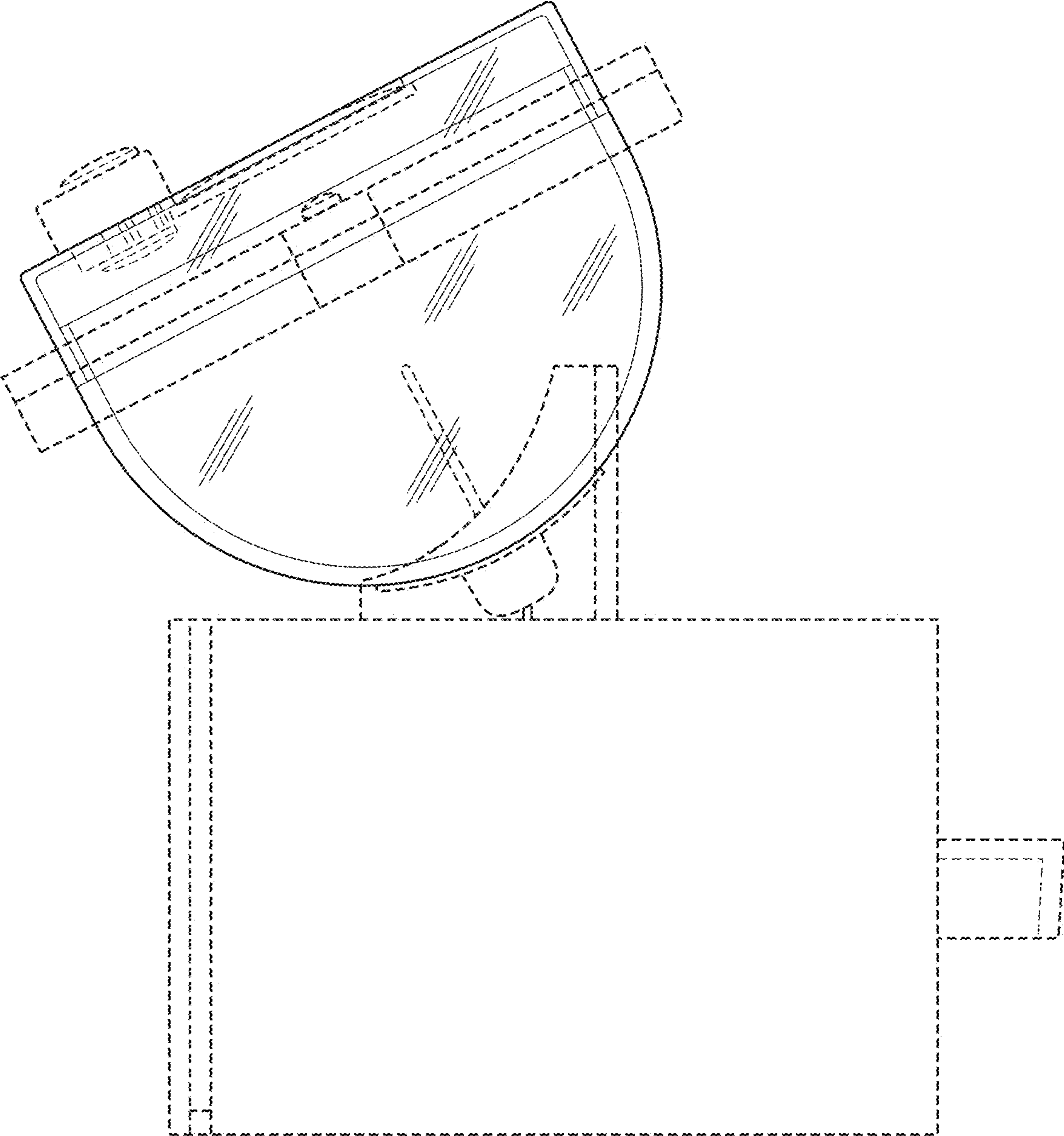




Fig. 6

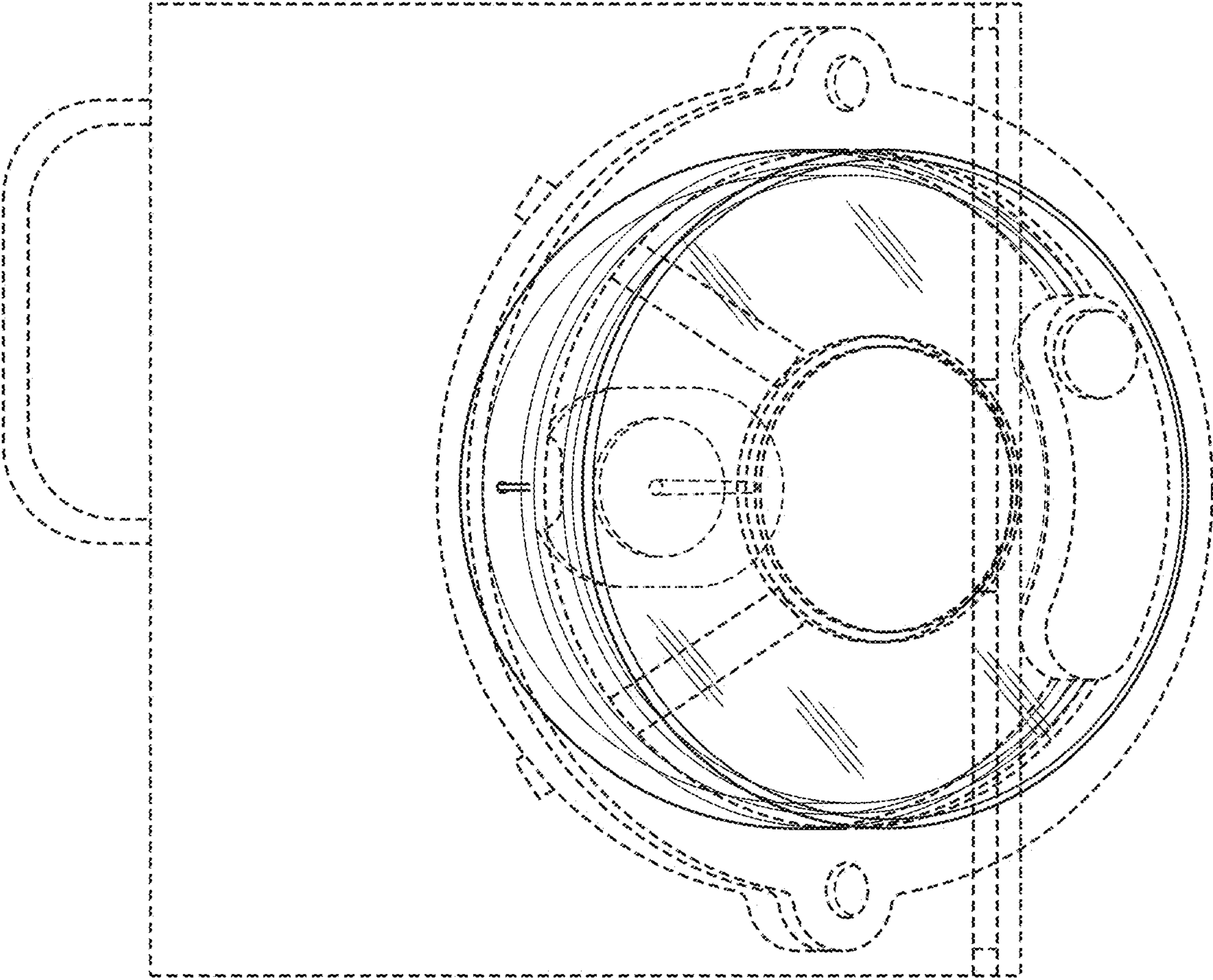


Fig. 7

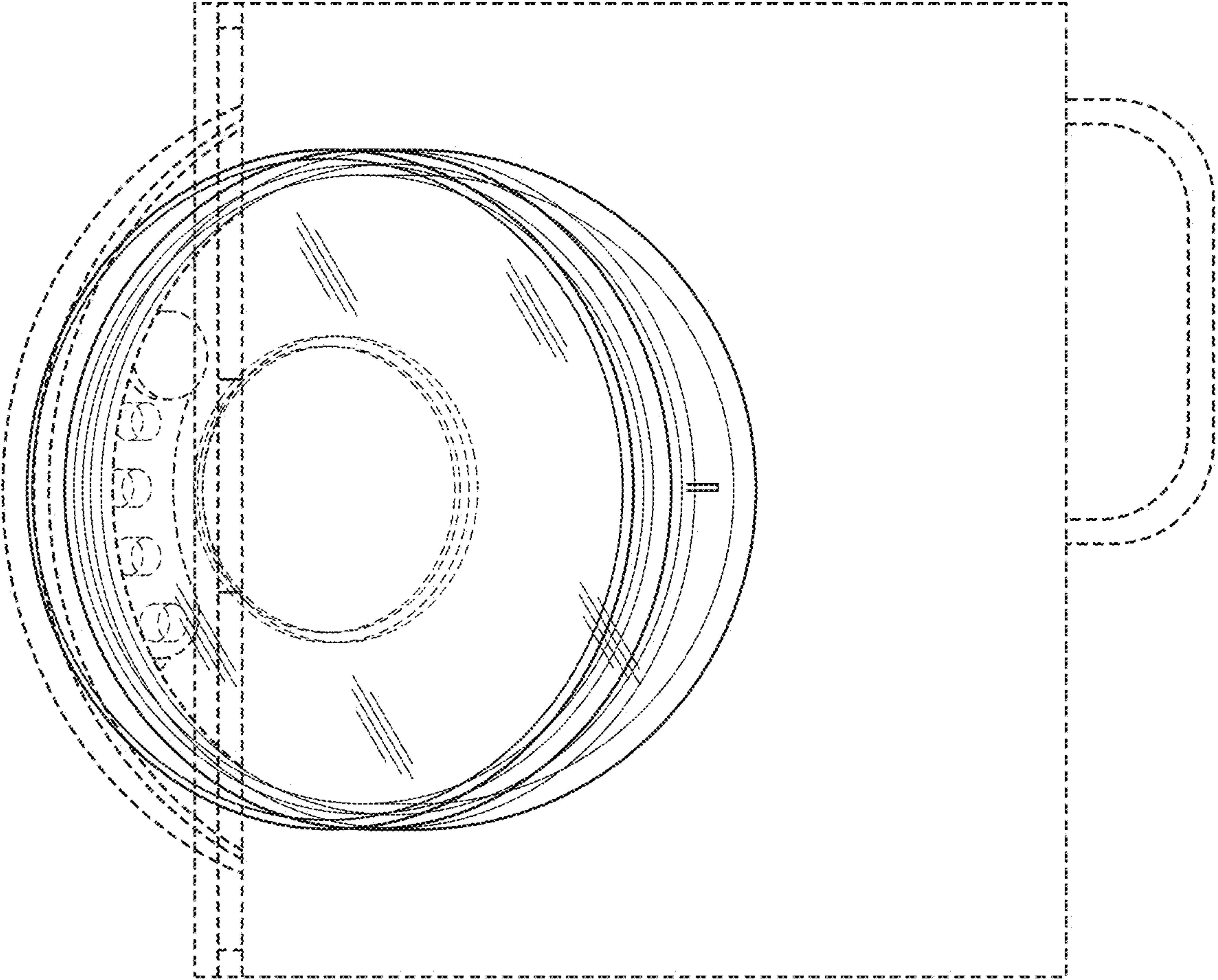


Fig. 8

