



US00D953074S

(12) **United States Design Patent** (10) **Patent No.:** **US D953,074 S**
Lin (45) **Date of Patent:** **** May 31, 2022**

(54) **SHELF UNIT**

(71) Applicants: **HI-MAX INNOVATION CO., LTD.**,
Taichung (TW); **Yi Chen Tseng**,
Taichung (TW)

(72) Inventor: **Jhjh Fan Lin**, Taichung (TW)

(73) Assignees: **HI-MAX INNOVATION CO., LTD.**,
Taichung (TW); **Yi Chen Tseng**,
Taichung (TW)

(**) Term: **15 Years**

(21) Appl. No.: **29/756,452**

(22) Filed: **Oct. 28, 2020**

(51) **LOC (13) Cl.** **06-06**

(52) **U.S. Cl.**
USPC **D6/675.3**

(58) **Field of Classification Search**
USPC D6/641, 653, 653.1, 655, 672, 675,
D6/675.1, 675.3, 675.4, 675.5
CPC A47F 5/0018; A47F 5/0043; A47B 96/00;
A47B 96/02; A47B 47/00; A47B 47/021
See application file for complete search history.

(56) **References Cited**

U.S. PATENT DOCUMENTS

D259,007 S *	4/1981	Schuckenbrock	D6/675.3
D302,083 S *	7/1989	Walter	D6/675.1
D364,763 S *	12/1995	Sielaff	D6/675.1
D492,861 S *	7/2004	Lenger	D6/675.3
D520,778 S *	5/2006	Lenger	D6/675.3
D521,276 S *	5/2006	Lenger	D6/675.3
D541,557 S *	5/2007	Weatherly	D6/675.3
D591,533 S *	5/2009	Karsson	D6/675.3
D624,200 S *	9/2010	Kieffer	D25/65
D651,826 S *	1/2012	Tseng	D6/675.1
D685,851 S *	7/2013	Offenkrantz	D19/90

D785,981 S *	5/2017	Kimmich	D6/675.3
D805,329 S *	12/2017	Rockwell	D6/675.3
D808,203 S *	1/2018	Davis	D6/675.3
D860,689 S *	9/2019	Davis	D6/672
D871,116 S *	12/2019	Li	D6/675.1
D874,191 S *	2/2020	Qi	D6/664
D884,394 S *	5/2020	Hajissa	D6/654.17
D885,806 S *	6/2020	Rockwell	D6/675
D894,639 S *	9/2020	Hu	D6/656.11
D904,799 S *	12/2020	Li	D6/654.1
D907,407 S *	1/2021	Davis	D6/654.1
D910,351 S *	2/2021	Davis	D6/681.2
D926,503 S *	8/2021	Lin	D6/678.2
D941,619 S *	1/2022	Davis	D6/675.3

* cited by examiner

Primary Examiner — Kelley A Donnelly

(74) *Attorney, Agent, or Firm* — Sinorica LLC

(57) **CLAIM**

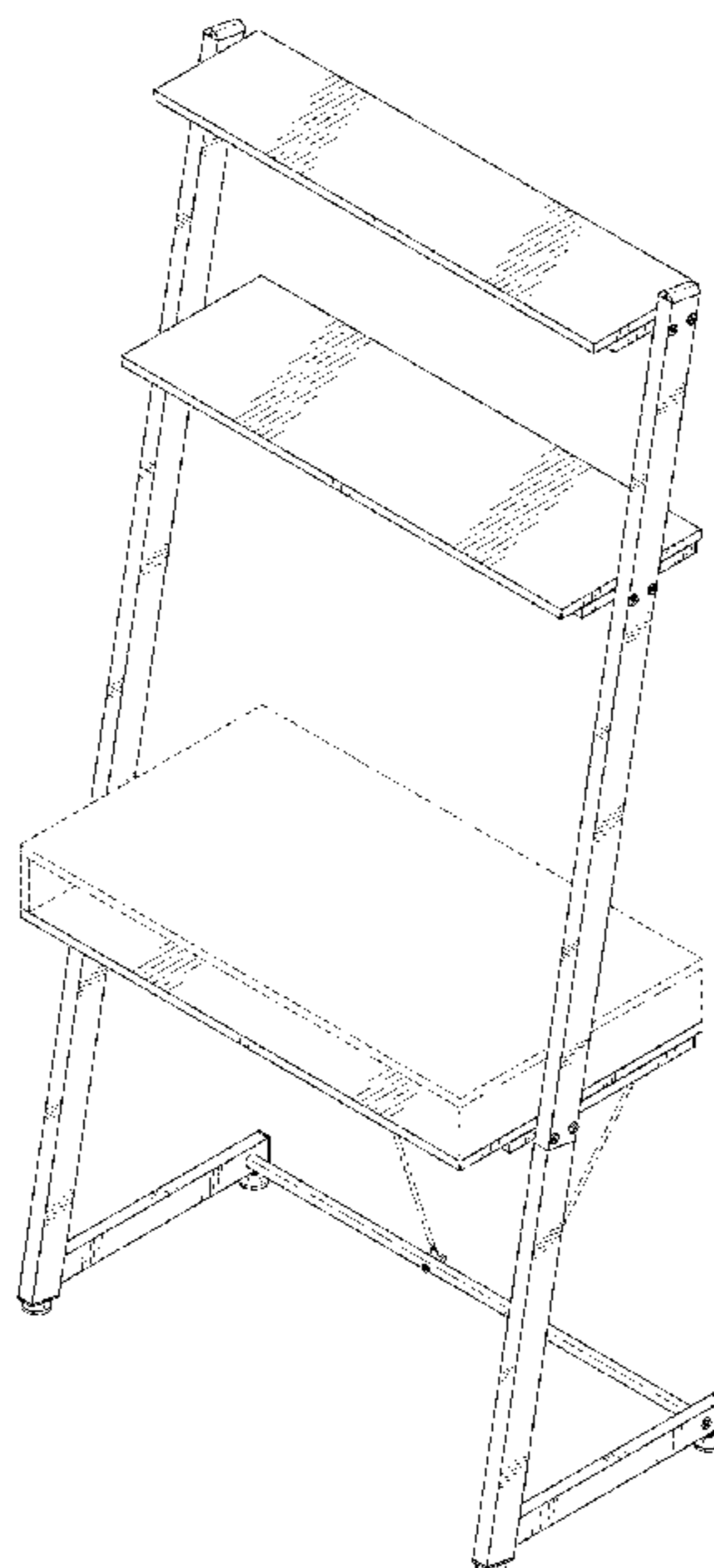
The ornamental design for a shelf unit, as shown and described.

DESCRIPTION

FIG. 1 is a top front perspective view of a shelf unit in accordance with the present invention;
FIG. 2 is a bottom front perspective view thereof;
FIG. 3 is a top rear perspective view thereof;
FIG. 4 is a bottom rear view perspective view thereof;
FIG. 5 is a front view thereof;
FIG. 6 is a rear view thereof;
FIG. 7 is a left view thereof;
FIG. 8 is a right view thereof;
FIG. 9 is a top view thereof; and,
FIG. 10 is a bottom view thereof.

The broken line showing portions of the shelf unit illustrates portions of the article and forms no part of the claimed design.

1 Claim, 10 Drawing Sheets



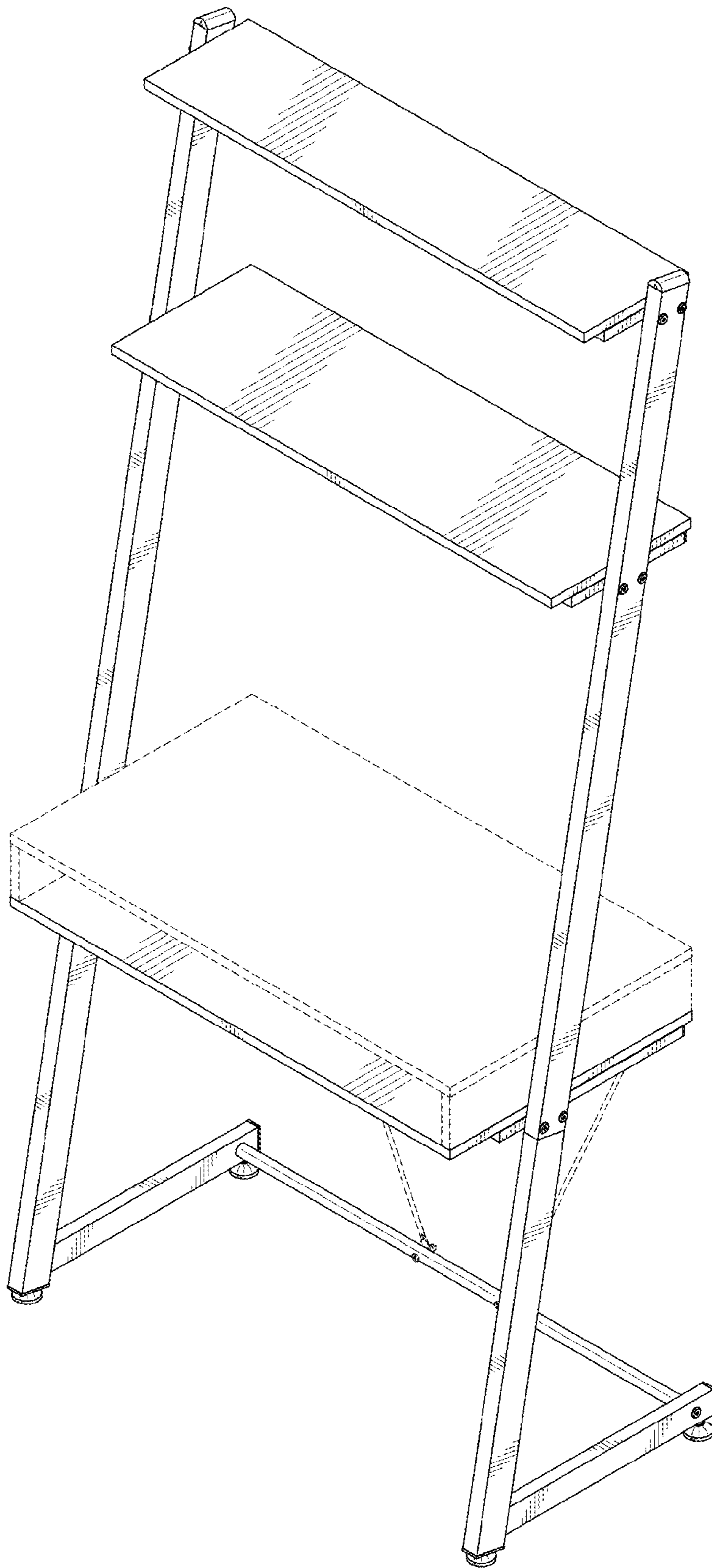


FIG. 1

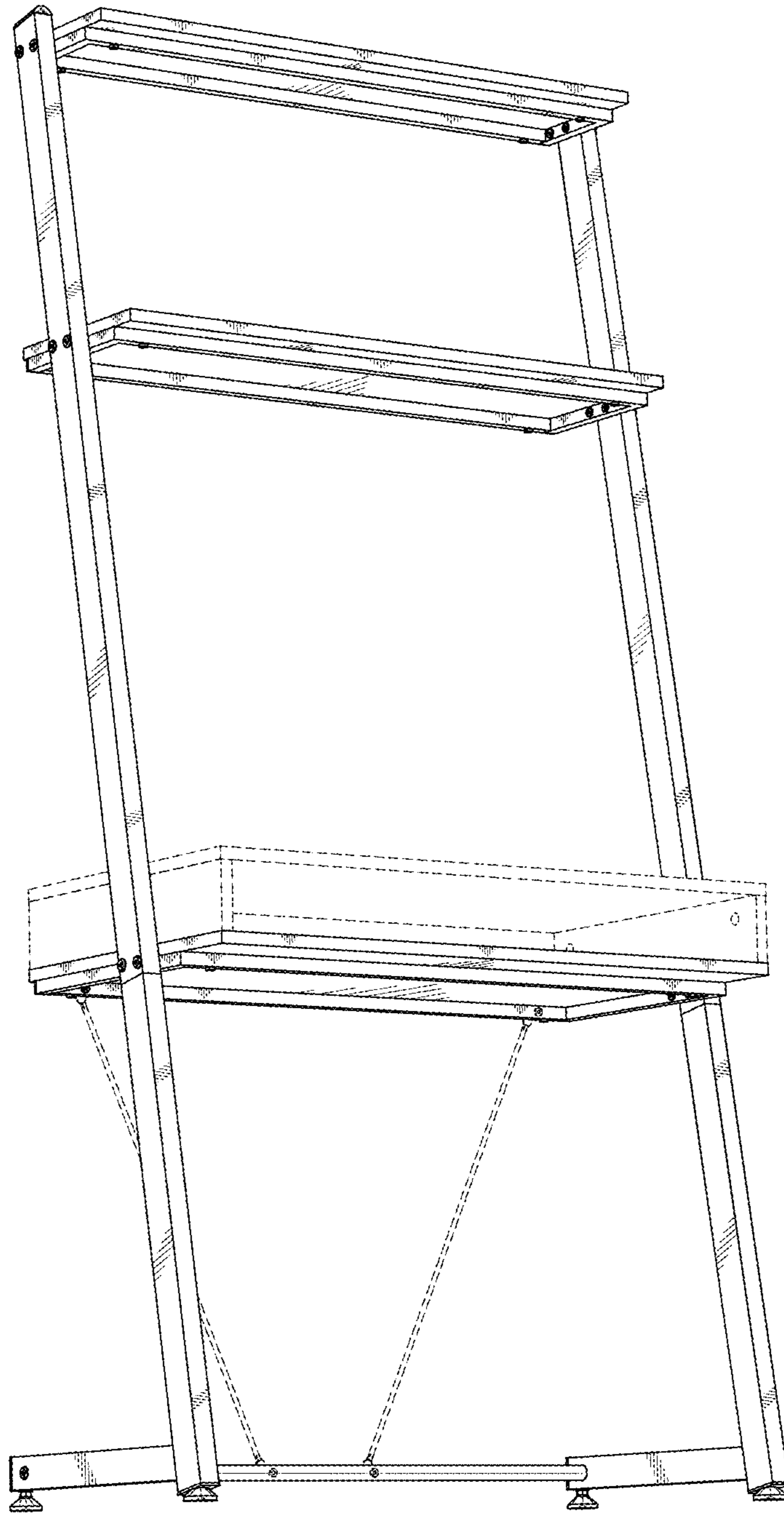


FIG. 2

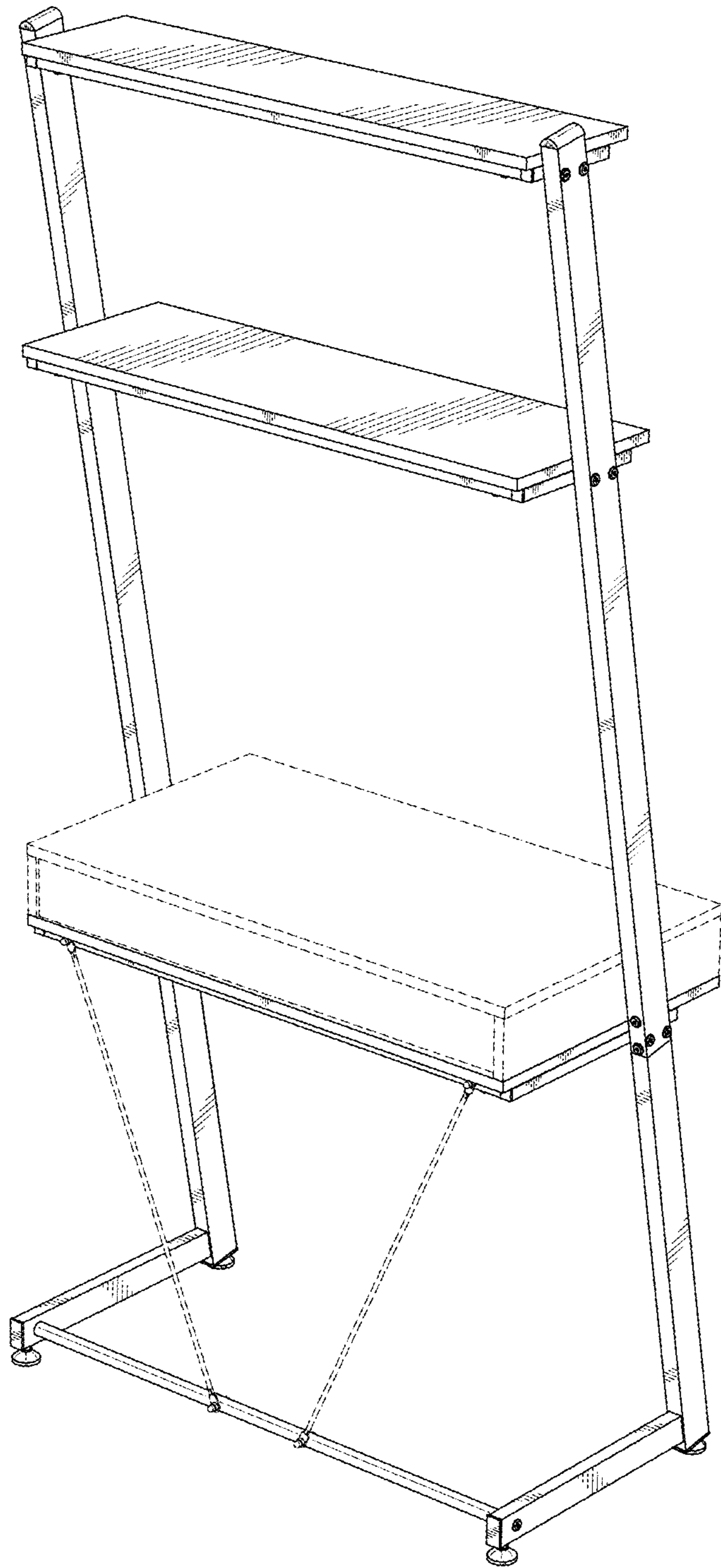


FIG. 3

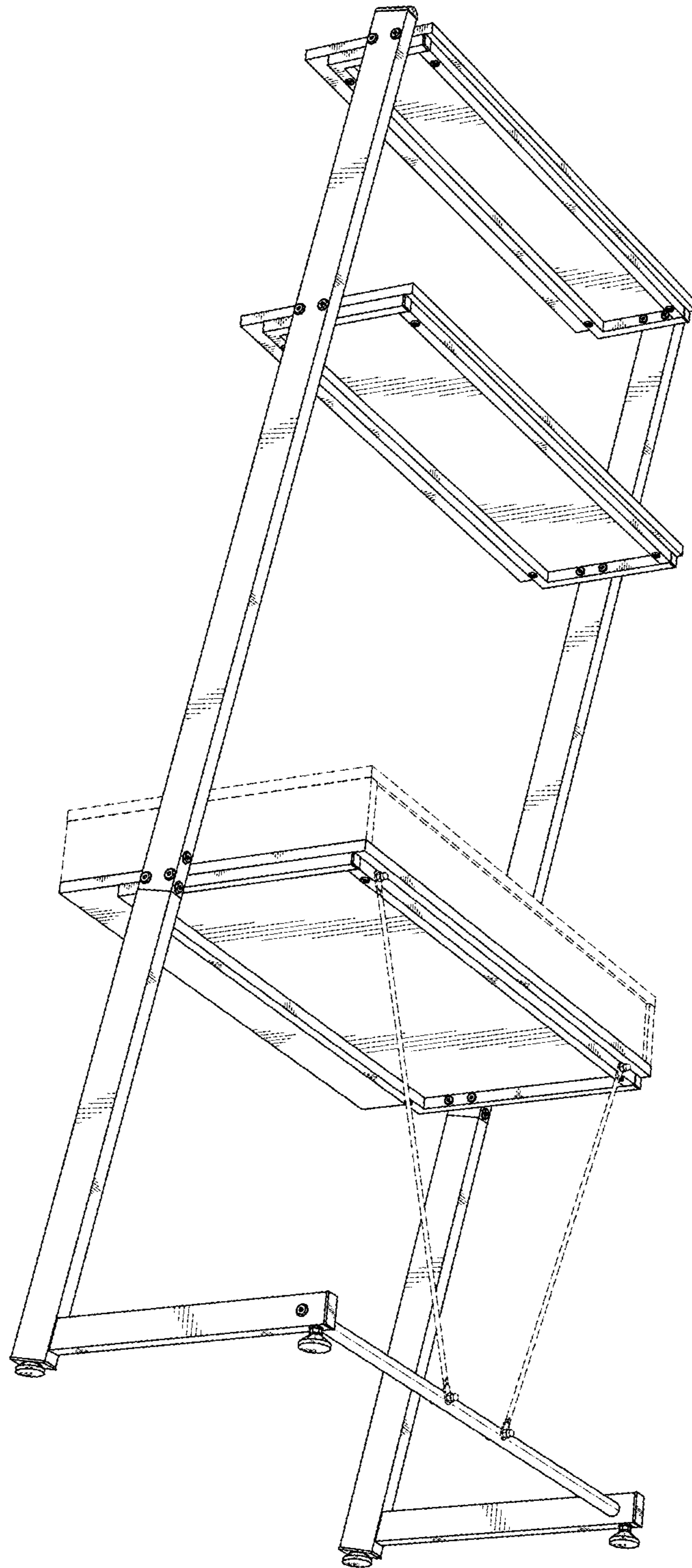


FIG. 4

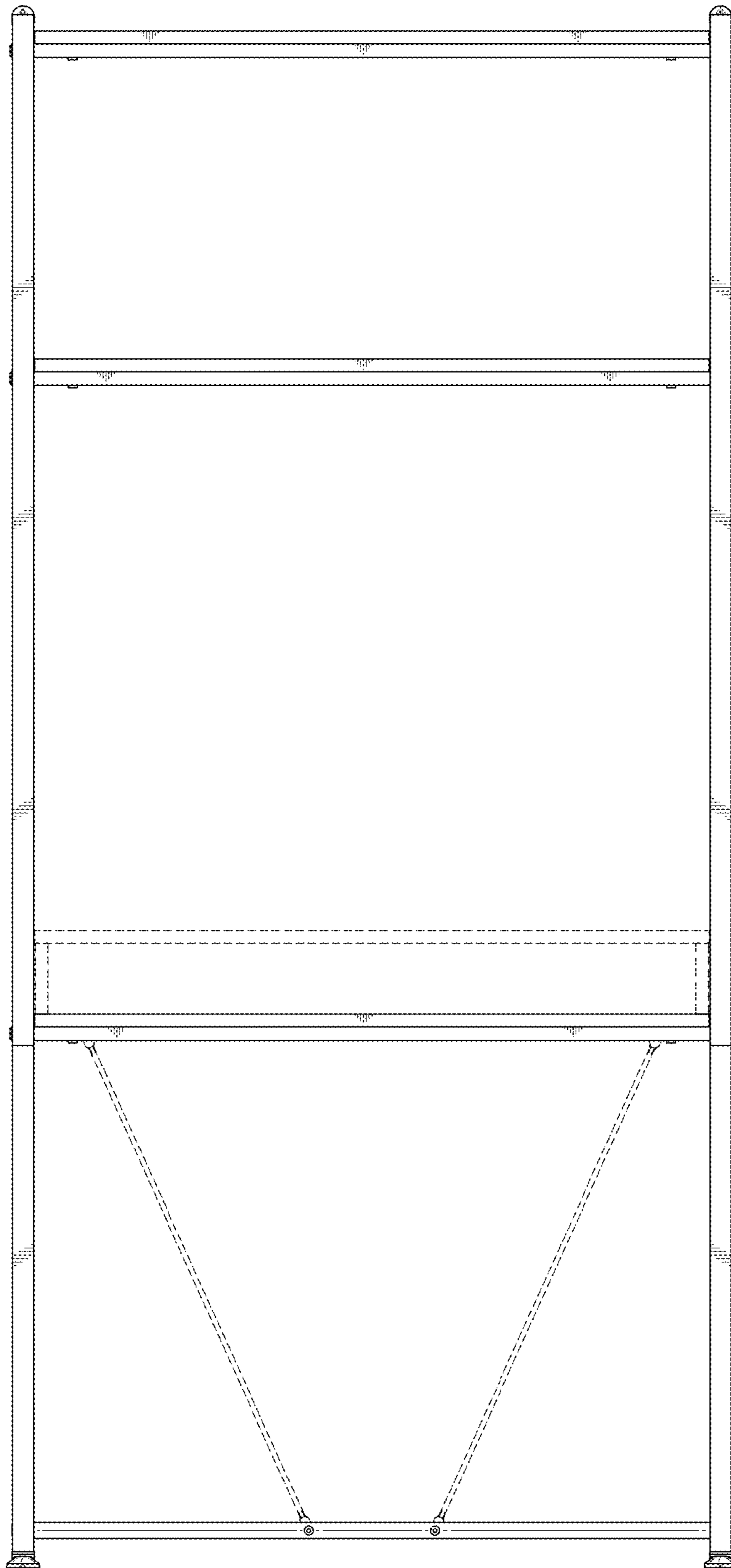


FIG. 5

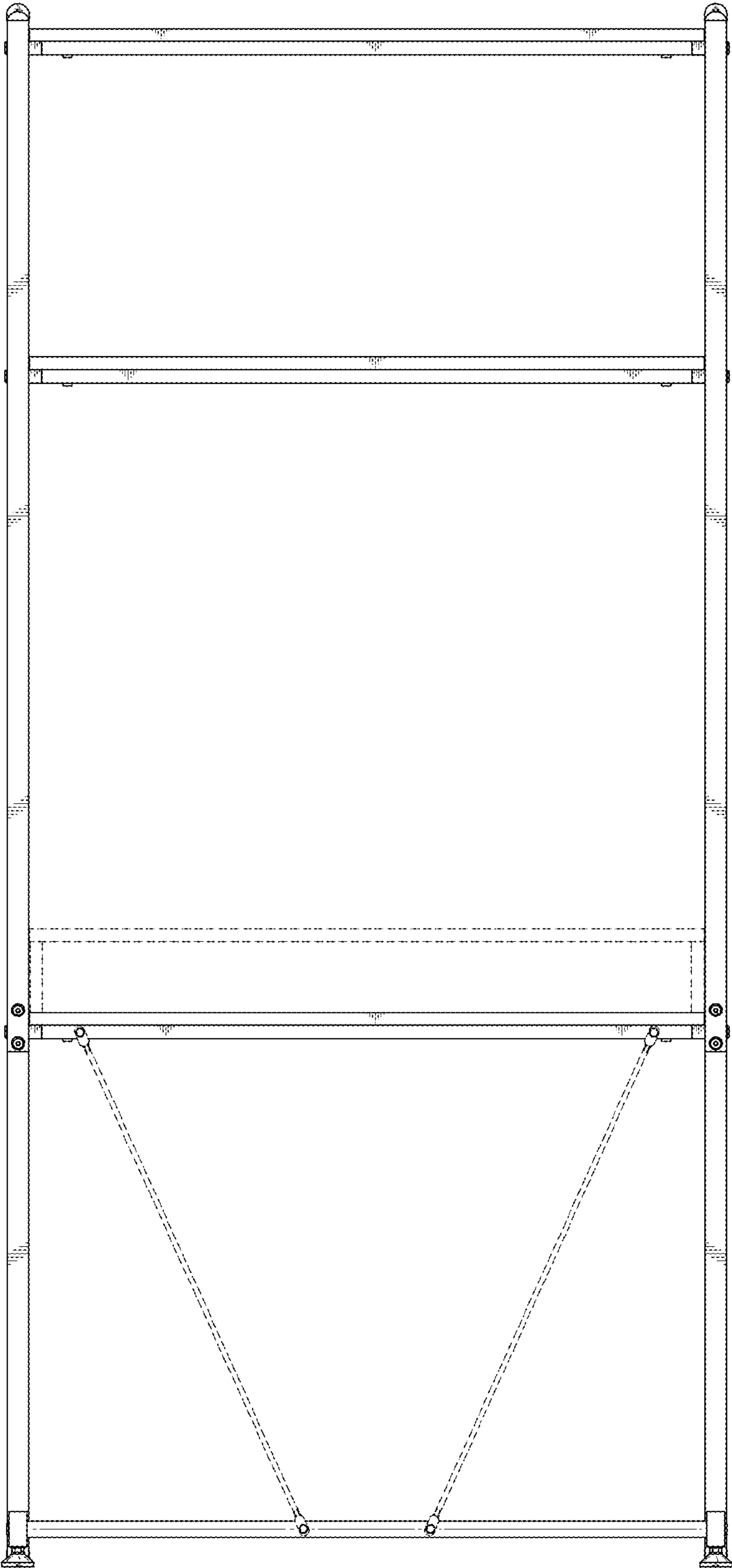


FIG. 6

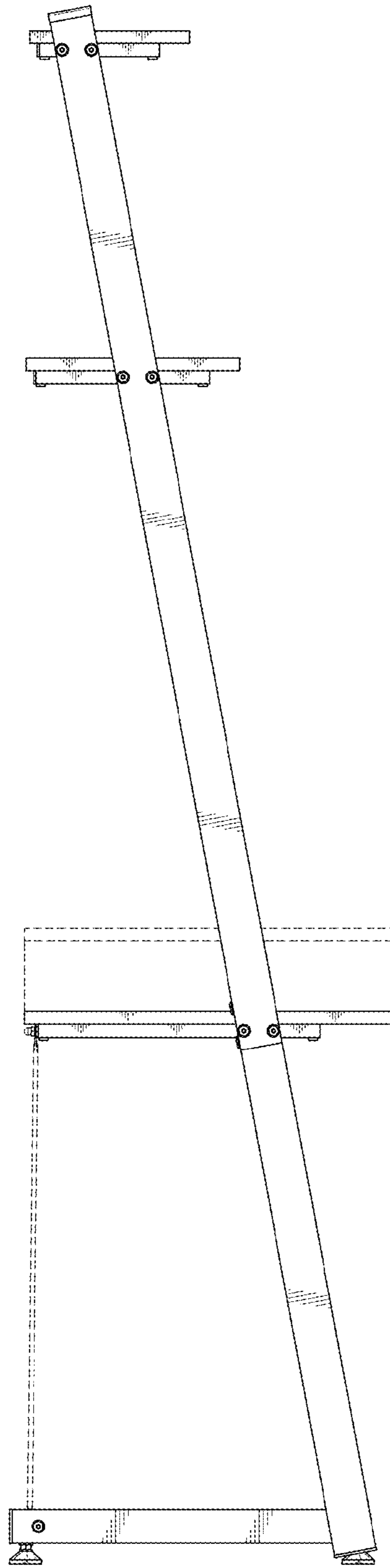


FIG. 7

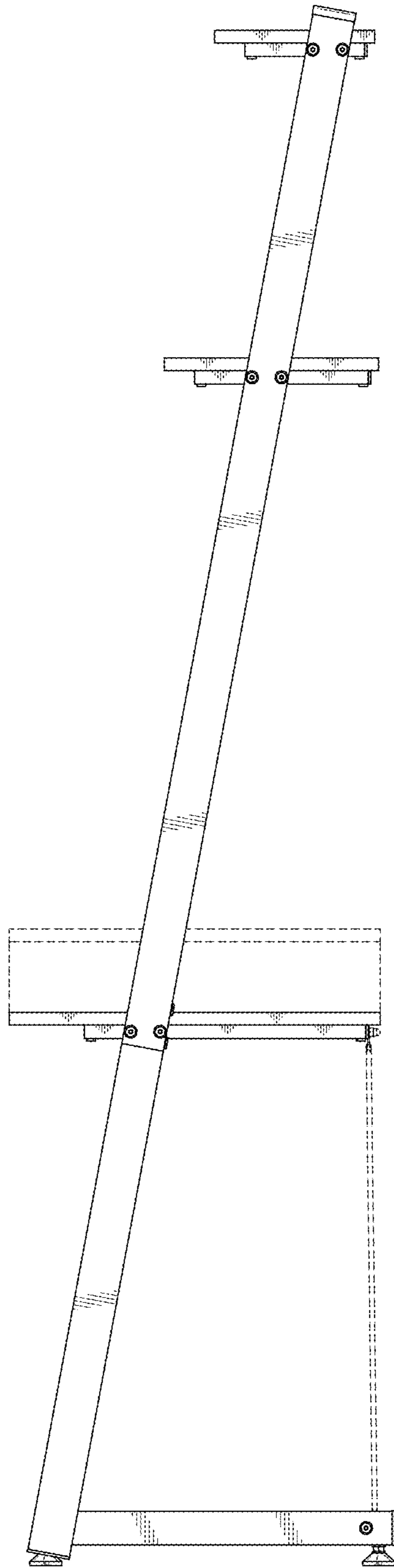


FIG. 8

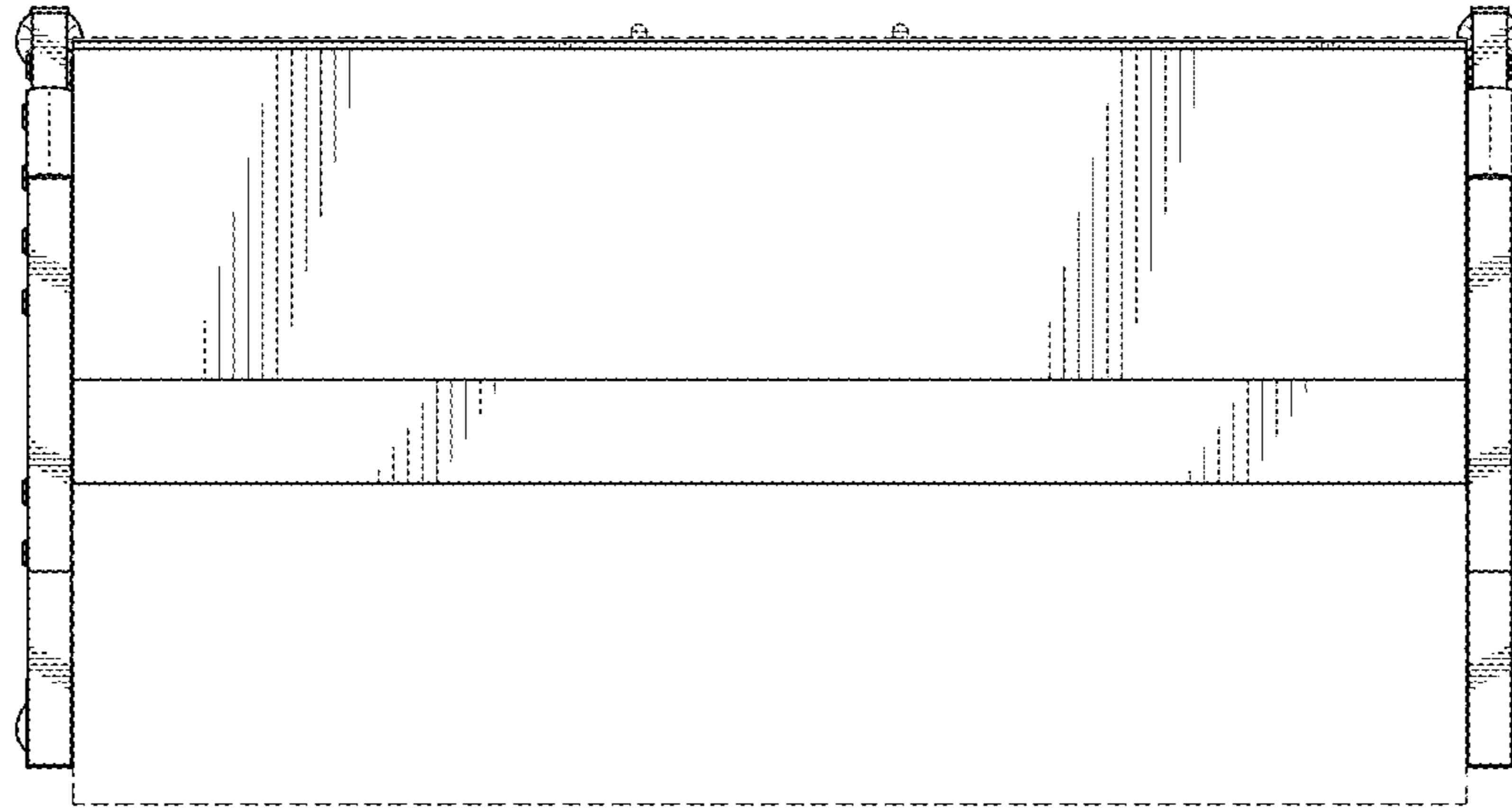


FIG. 9

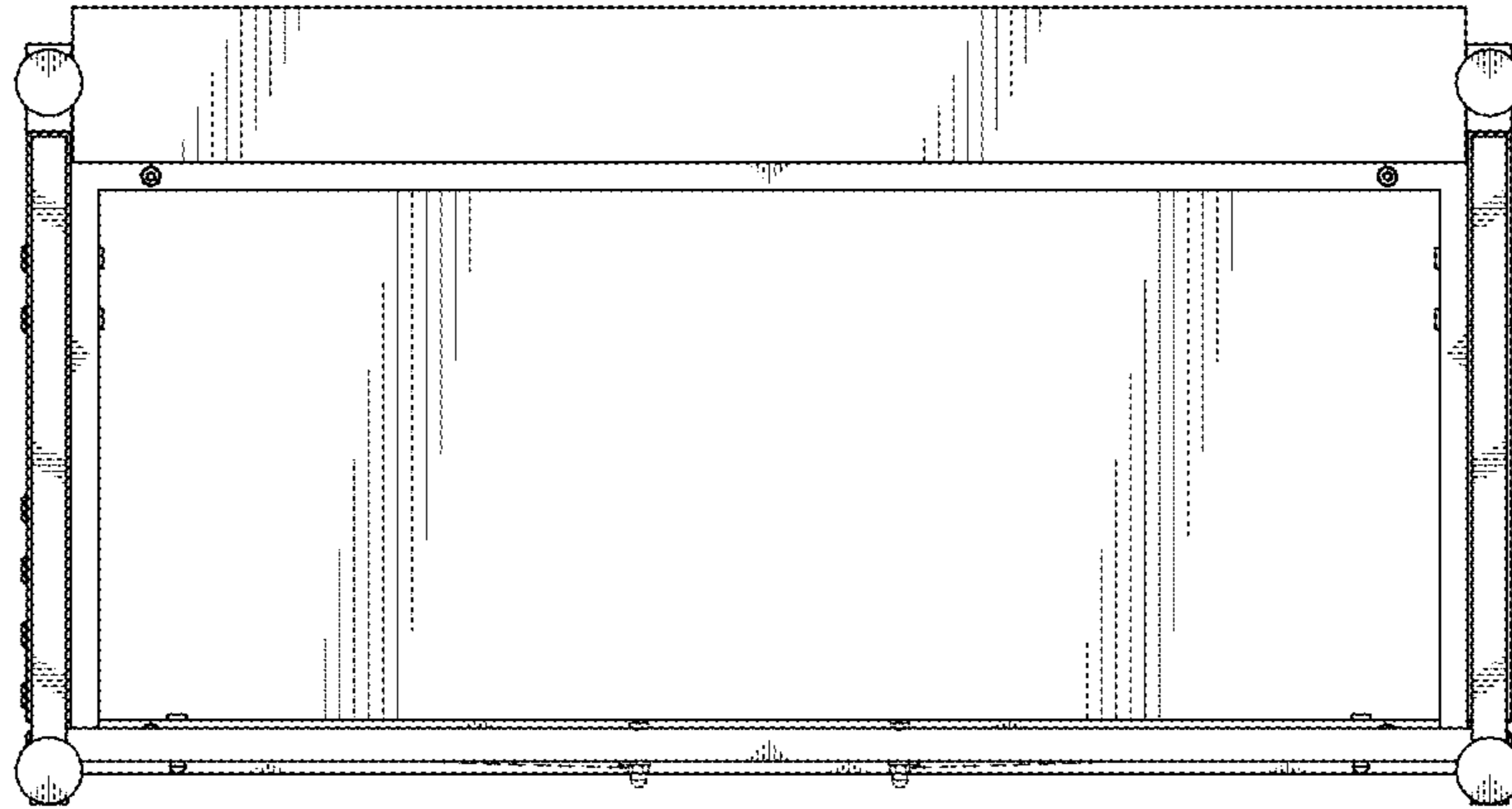


FIG. 10