



US00D953072S

(12) **United States Design Patent**  
**Leng**

(10) **Patent No.:** **US D953,072 S**

(45) **Date of Patent:** **\*\* May 31, 2022**

(54) **SPRING MATTRESS**  
(71) Applicant: **NEW-TEC INTEGRATION (XIAMEN) CO., LTD.**, Fujian (CN)  
(72) Inventor: **Luhao Leng**, Fujian (CN)  
(73) Assignee: **NEW-TEC INTEGRATION (XIAMEN) CO., LTD.**, Xiamen (CN)  
(\*\*) Term: **15 Years**

5,325,553 A \* 7/1994 Ripley ..... A47C 27/0456  
5/721  
6,175,997 B1 \* 1/2001 Mossbeck ..... A47C 27/064  
156/301  
6,493,887 B1 \* 12/2002 DeFranks ..... A47C 23/007  
5/254  
7,117,655 B2 \* 10/2006 Wells ..... A47C 27/0453  
53/430  
8,020,224 B2 \* 9/2011 Turnbull ..... A47C 23/007  
5/254  
9,211,017 B2 \* 12/2015 Tyree ..... A47C 21/046  
10,631,657 B2 \* 4/2020 DeFranks ..... B68G 9/00

(21) Appl. No.: **29/763,715**

\* cited by examiner

(22) Filed: **Dec. 23, 2020**

*Primary Examiner* — Jennifer L Rempfer

(30) **Foreign Application Priority Data**

(74) *Attorney, Agent, or Firm* — Perkins Coie LLP;  
Kenneth H. Ohriner

Jun. 23, 2020 (CN) ..... 202030328437.4

(51) **LOC (13) Cl.** ..... **06-09**

(52) **U.S. Cl.**  
USPC ..... **D6/605**

(58) **Field of Classification Search**

USPC ..... D6/582–583, 587–592, 595–609,  
D6/617–622; D21/803–809; D24/183  
CPC ..... A47G 9/00; A47G 2009/001; A47G  
2009/002; A47G 2009/003; A47G  
2009/005; A47G 2009/006; A47G 9/02;  
A47G 9/0207; A47G 9/0215; A47G  
9/0223; A47G 9/023; A47G 9/0238;  
A47G 9/0246; A47G 9/0253; A47G  
9/0261; A47G 9/06; A47G 9/062; A47G  
9/066; A47G 9/068; A47G 9/08; A47G  
2009/0276; A47G 9/0284; A47G 9/0292;  
A47G 9/04; A47G 9/10

See application file for complete search history.

(56) **References Cited**

**U.S. PATENT DOCUMENTS**

1,837,847 A \* 12/1931 Bowersox ..... A47C 27/065  
5/247  
4,297,754 A \* 11/1981 Zuniga ..... A47C 21/026  
5/411

(57) **CLAIM**

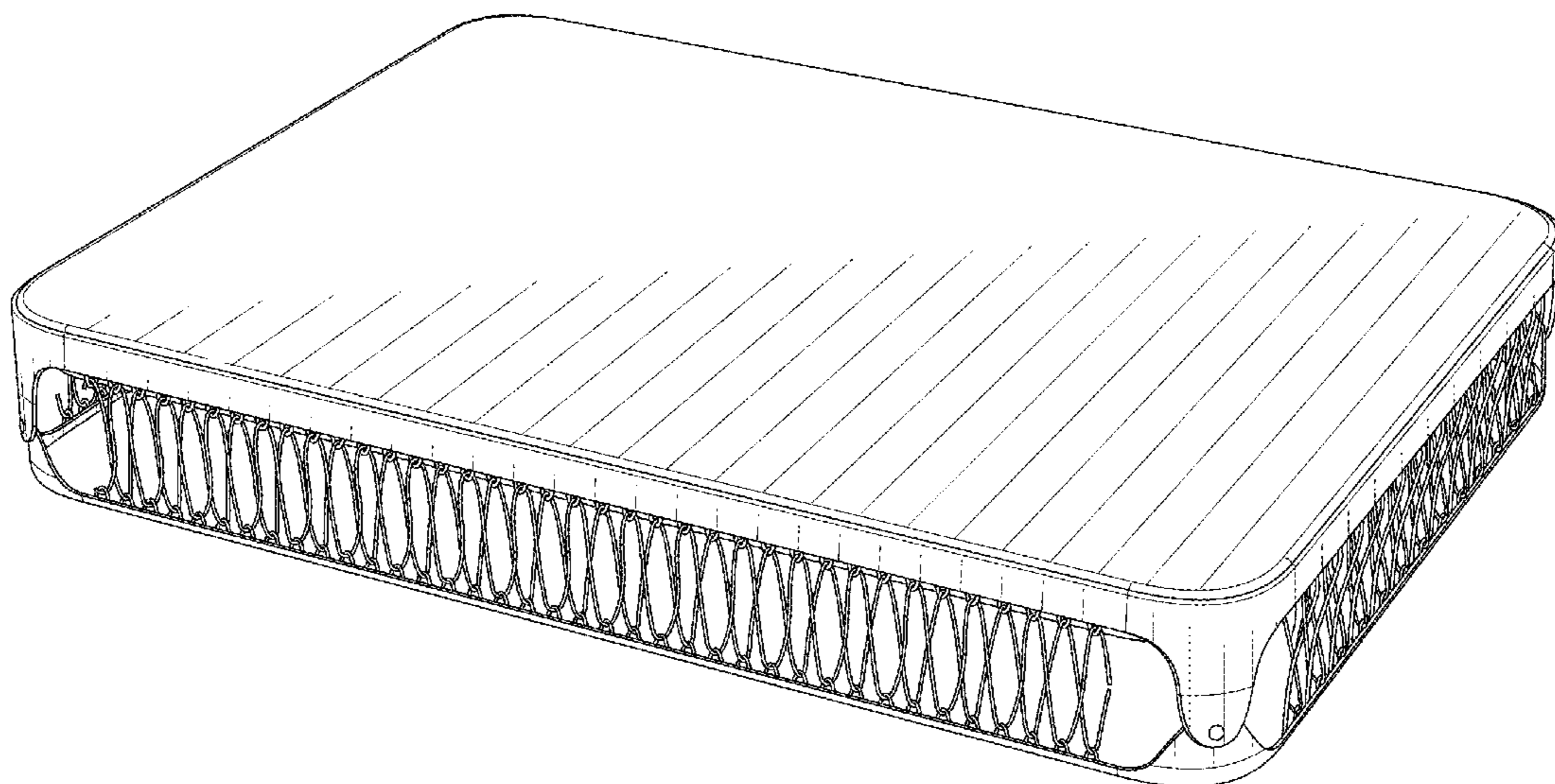
The ornamental design of a spring mattress, as shown and described.

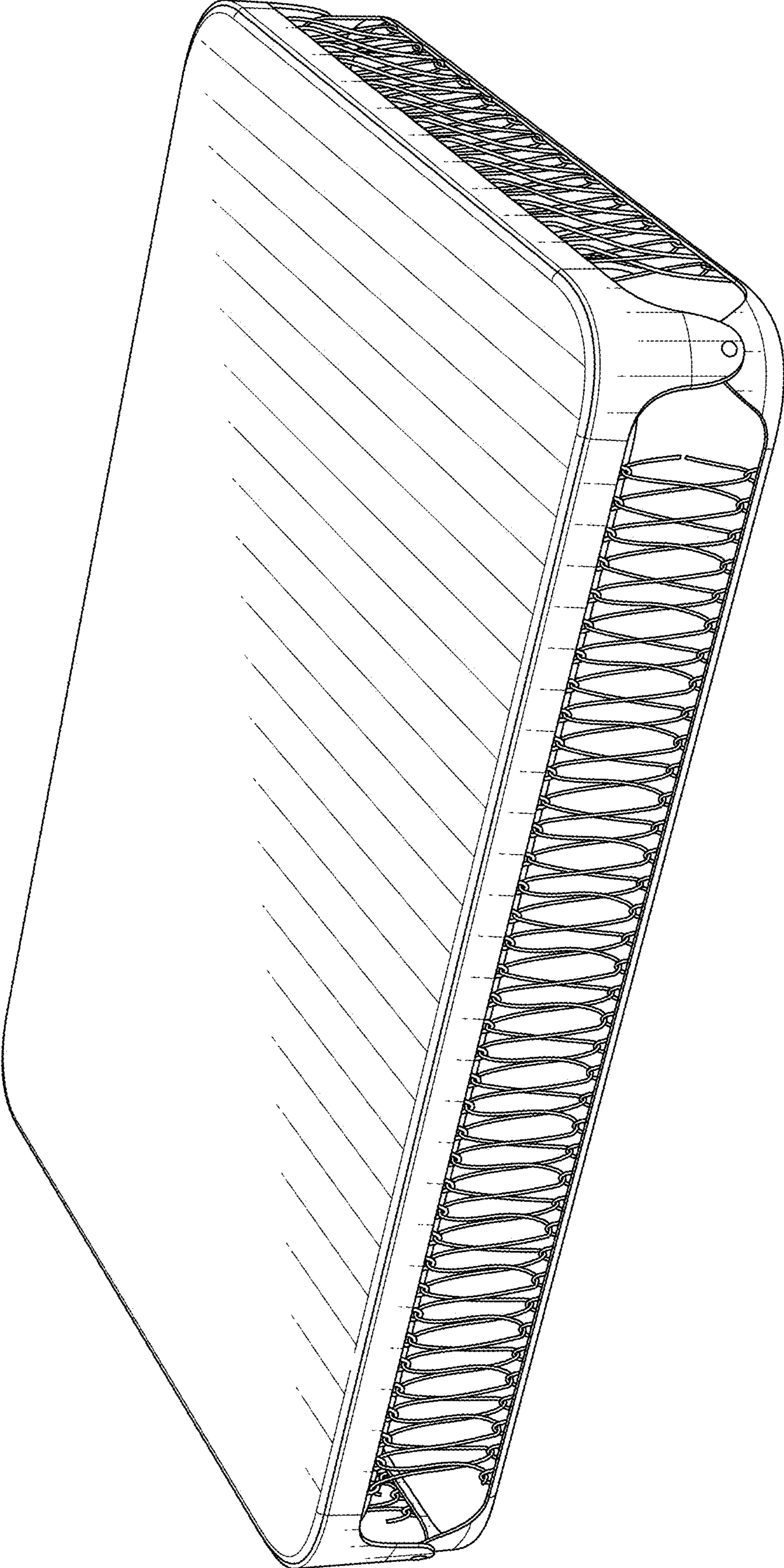
**DESCRIPTION**

FIG. 1 is a perspective view of a spring mattress showing my new design;  
FIG. 2 is a front view of the spring mattress shown in FIG. 1;  
FIG. 3 is a rear view of the spring mattress shown in FIG. 1;  
FIG. 4 is a left side view of the spring mattress shown in FIG. 1;  
FIG. 5 is a right side view of the spring mattress shown in FIG. 1; and,  
FIG. 6 is a top plan view of the spring mattress shown in FIG. 1.

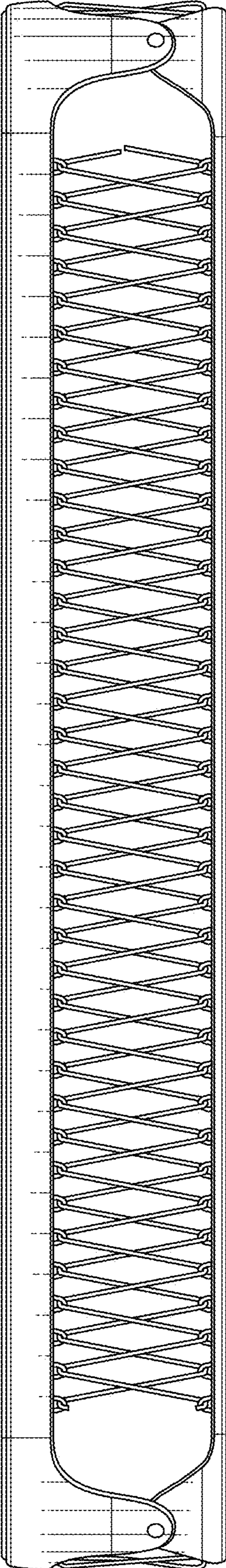
The bottom view is omitted as forming no part of the claimed design.

**1 Claim, 6 Drawing Sheets**

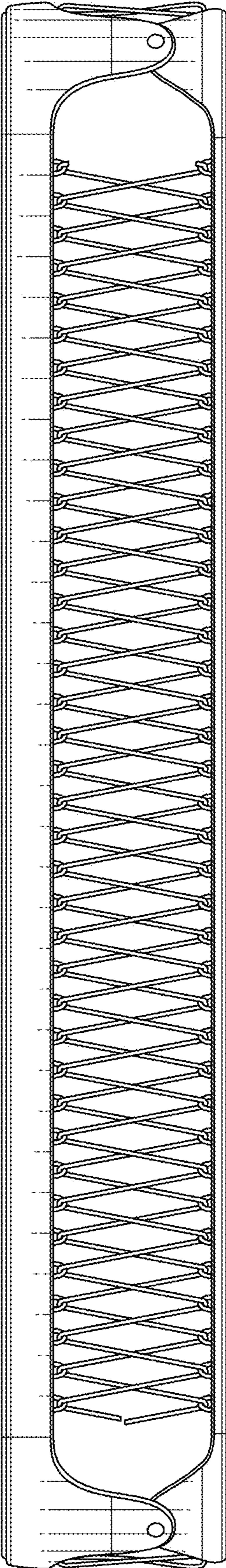




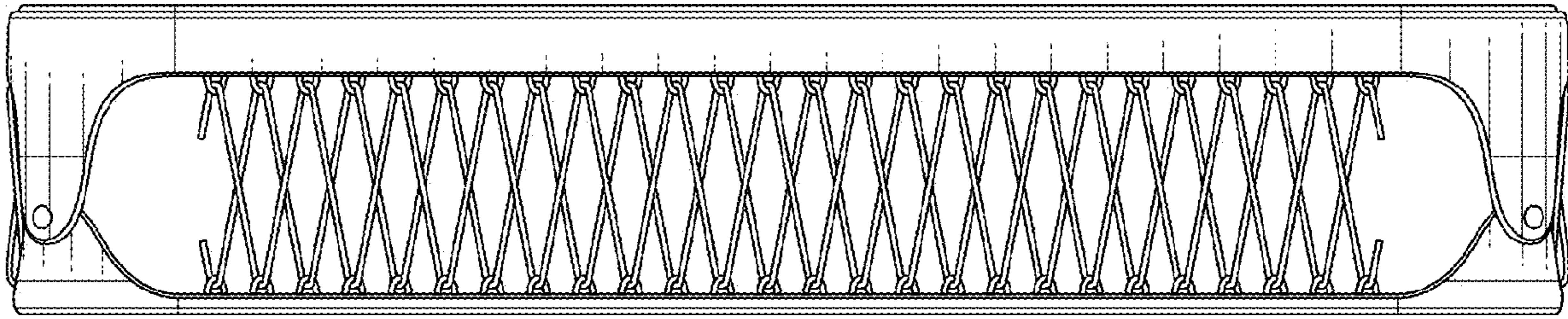
**FIG. 1**



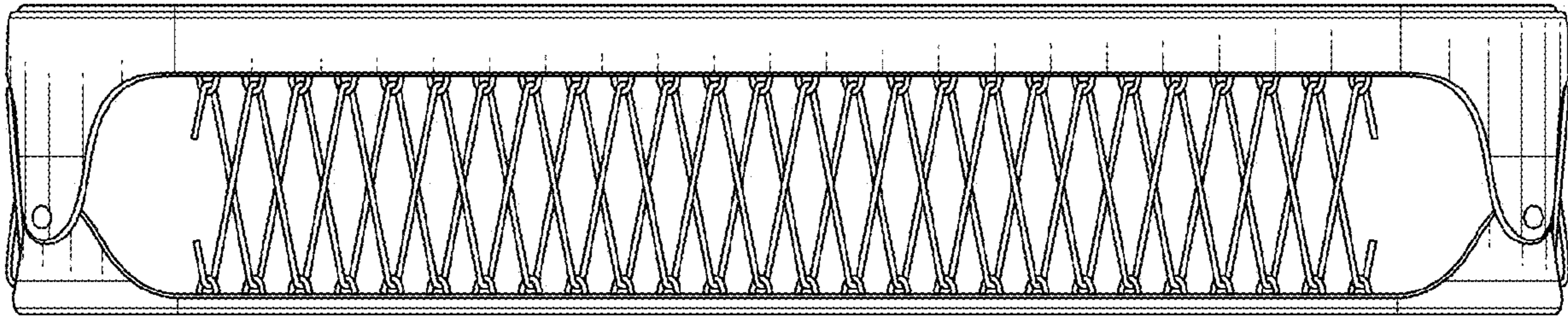
**FIG. 2**



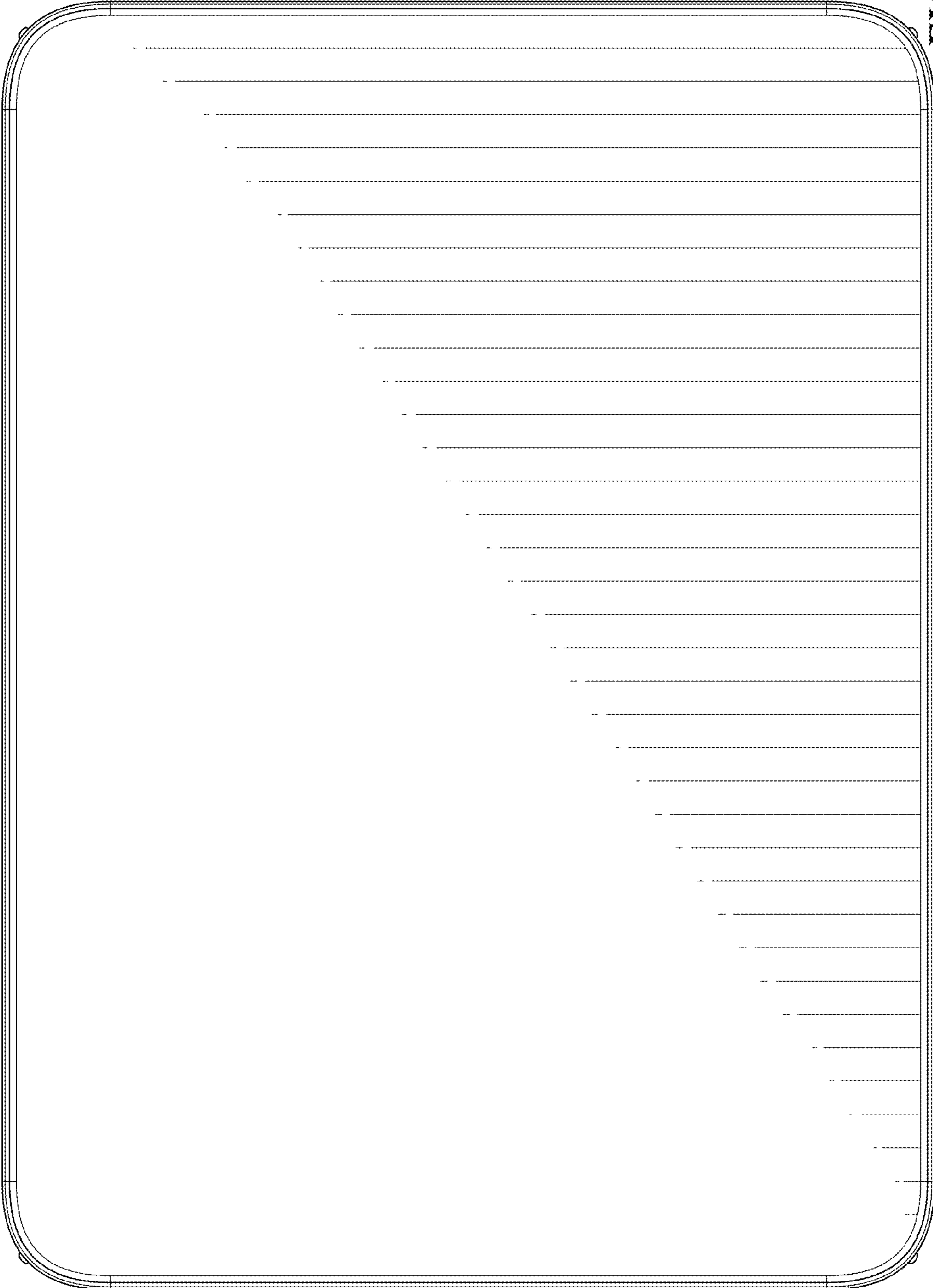
**FIG. 3**



**FIG. 4**



**FIG. 5**



**FIG. 6**