



US00D953071S

(12) **United States Design Patent** (10) **Patent No.:** **US D953,071 S**  
**Parson et al.** (45) **Date of Patent:** **\*\* \*May 31, 2022**

- (54) **MATTRESS**
- (71) Applicants: **Ken Parson**, Highland, CA (US); **Kim S. Parson**, Highland, CA (US)
- (72) Inventors: **Ken Parson**, Highland, CA (US); **Kim S. Parson**, Highland, CA (US)
- (\*) Notice: This patent is subject to a terminal disclaimer.
- (\*\*) Term: **15 Years**
- (21) Appl. No.: **29/749,026**
- (22) Filed: **Sep. 2, 2020**
- (51) **LOC (13) Cl.** ..... **06-09**
- (52) **U.S. Cl.**  
USPC ..... **D6/605**
- (58) **Field of Classification Search**  
USPC ..... D6/582-583, 587-592, 595-609, D6/617-622; D21/803-809; D24/183  
CPC ..... A47G 9/00; A47G 2009/001; A47G 2009/002; A47G 2009/003; A47G 2009/005; A47G 2009/006; A47G 9/02; A47G 9/0207; A47G 9/0215; A47G 9/0223; A47G 9/023; A47G 9/0238; A47G 9/0246; A47G 9/0253; A47G 9/0261; A47G 9/06; A47G 9/062; A47G 9/066; A47G 9/068; A47G 9/08; A47G 2009/0276; A47G 9/0284; A47G 9/0292; A47G 9/04; A47G 9/10  
See application file for complete search history.

5,720,061 A	2/1998	Giori et al.	
6,038,722 A	3/2000	Giori et al.	
D479,082 S *	9/2003	Daughtery	D6/596
D566,448 S *	4/2008	Ridder	D24/183
D659,459 S *	5/2012	Jung	D6/605
8,418,297 B2	4/2013	Mikkelsen et al.	
8,590,080 B1	11/2013	Staresinic	
D740,054 S *	10/2015	Oberwelz	D6/606
D744,768 S *	12/2015	Morrison	D6/605
9,433,302 B2	9/2016	Mojtabavi	
D784,733 S *	4/2017	Bell	D6/605
D787,234 S *	5/2017	Szpyt	D6/605
10,258,164 B2	4/2019	Shi	
D862,935 S *	10/2019	Pfister	D6/605
D864,617 S *	10/2019	Pfister	D6/605
10,448,746 B2	10/2019	Galloway	
D866,223 S *	11/2019	Williams	D6/605
D904,073 S *	12/2020	Zeilinger	A61G 7/05776 D6/596
D917,207 S *	4/2021	Yin	D6/605
D931,652 S *	9/2021	Zhou	D6/605

\* cited by examiner

*Primary Examiner* — Jennifer L Rempfer  
(74) *Attorney, Agent, or Firm* — Cramer Patent & Design, PLLC; Aaron R. Cramer

(57) **CLAIM**

The ornamental design for a mattress, as shown and described.

**DESCRIPTION**

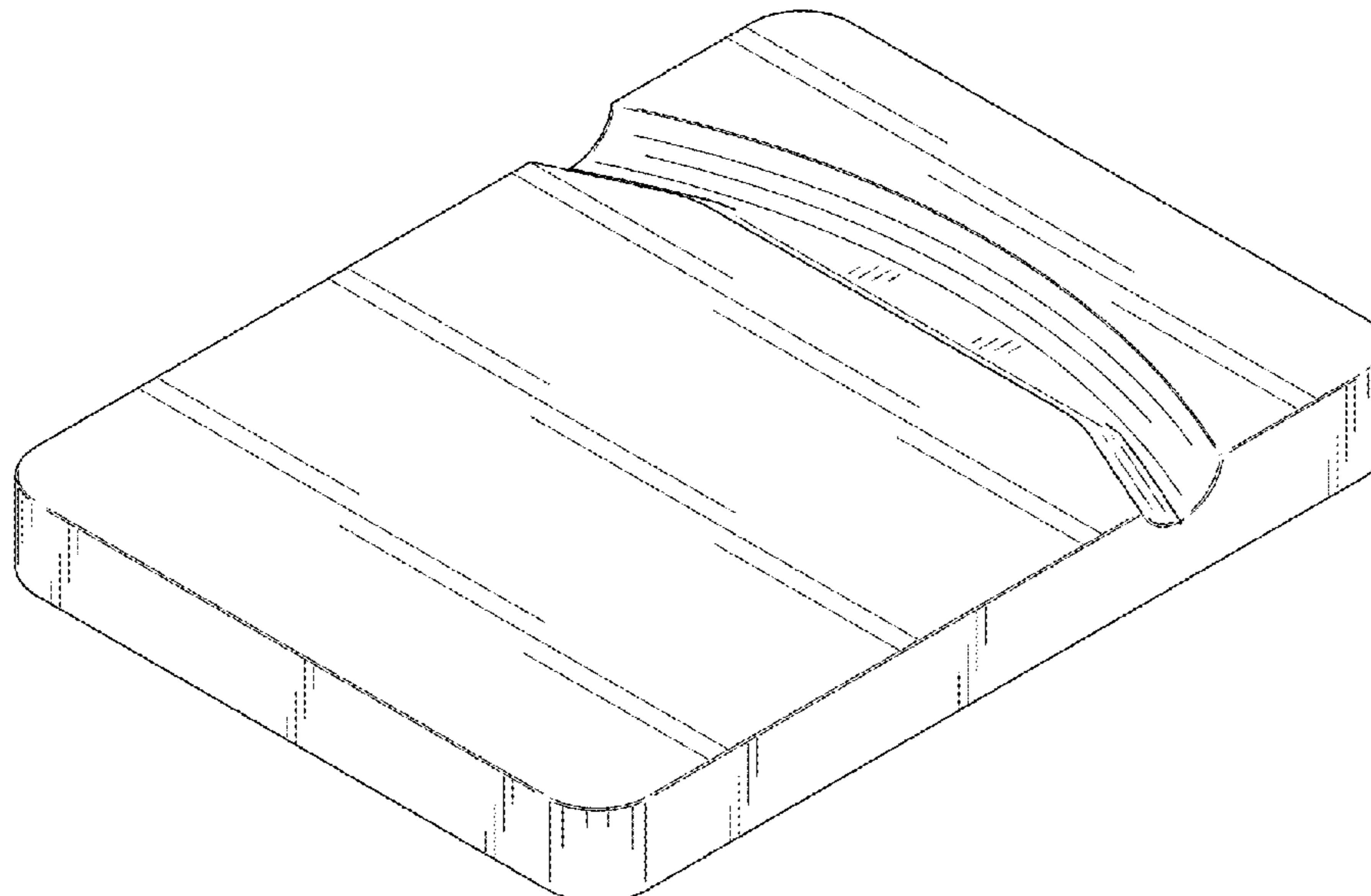
FIG. 1 is a perspective top front right view of a mattress, according to our new design;  
FIG. 2 is a perspective top rear left view thereof;  
FIG. 3 is a front elevation view thereof;  
FIG. 4 is a rear elevation view thereof;  
FIG. 5 is a left elevation view thereof;  
FIG. 6 is a right elevation view thereof;  
FIG. 7 is a top plan view thereof; and,  
FIG. 8 is a bottom plan thereof.

**1 Claim, 6 Drawing Sheets**

(56) **References Cited**

**U.S. PATENT DOCUMENTS**

5,081,728 A	1/1992	Skinner	
D337,686 S *	7/1993	Parker	D6/605
D346,923 S *	5/1994	Holm	5/421
D357,595 S *	4/1995	Roschacher	5/706



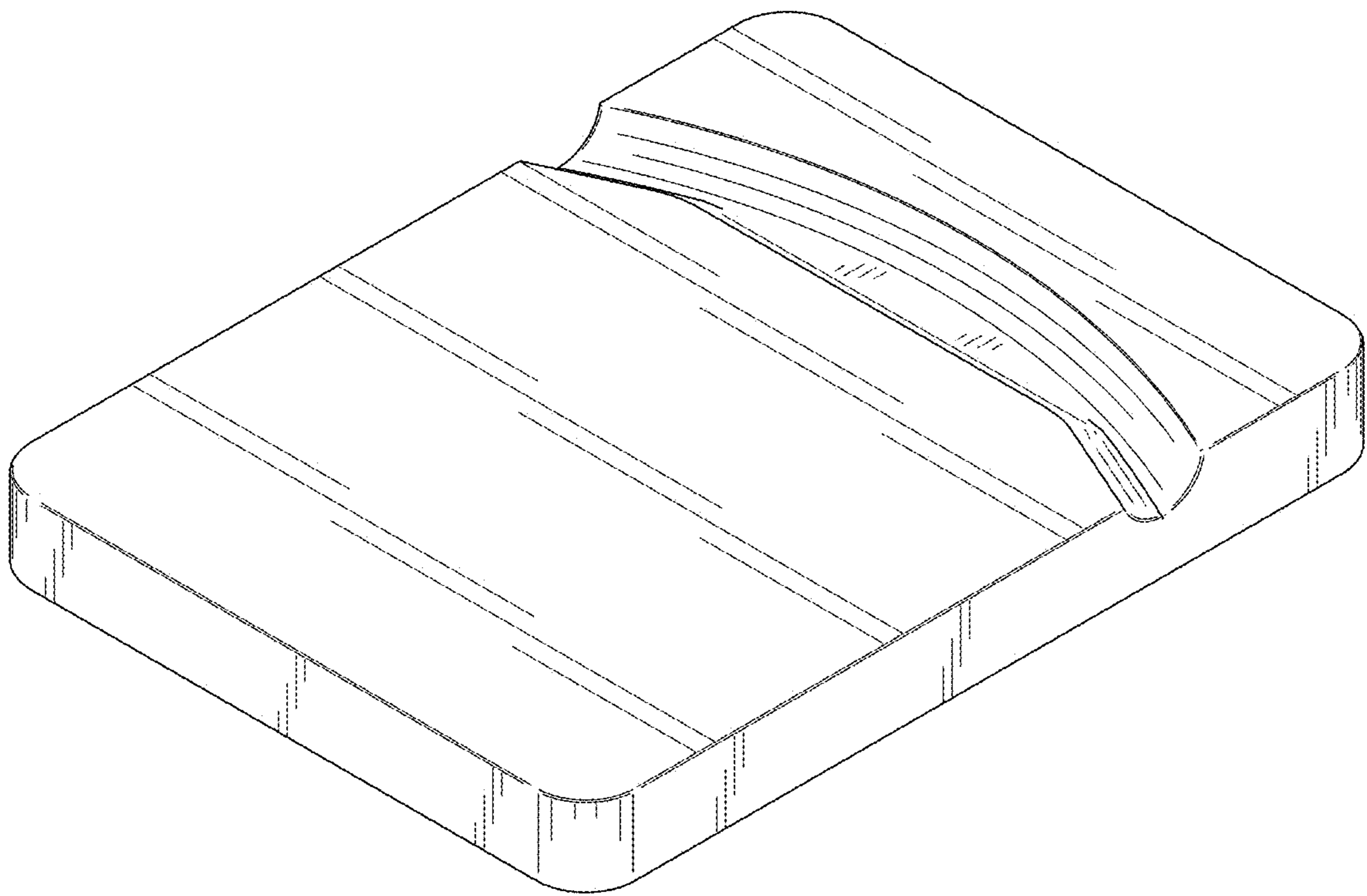


FIG. 1

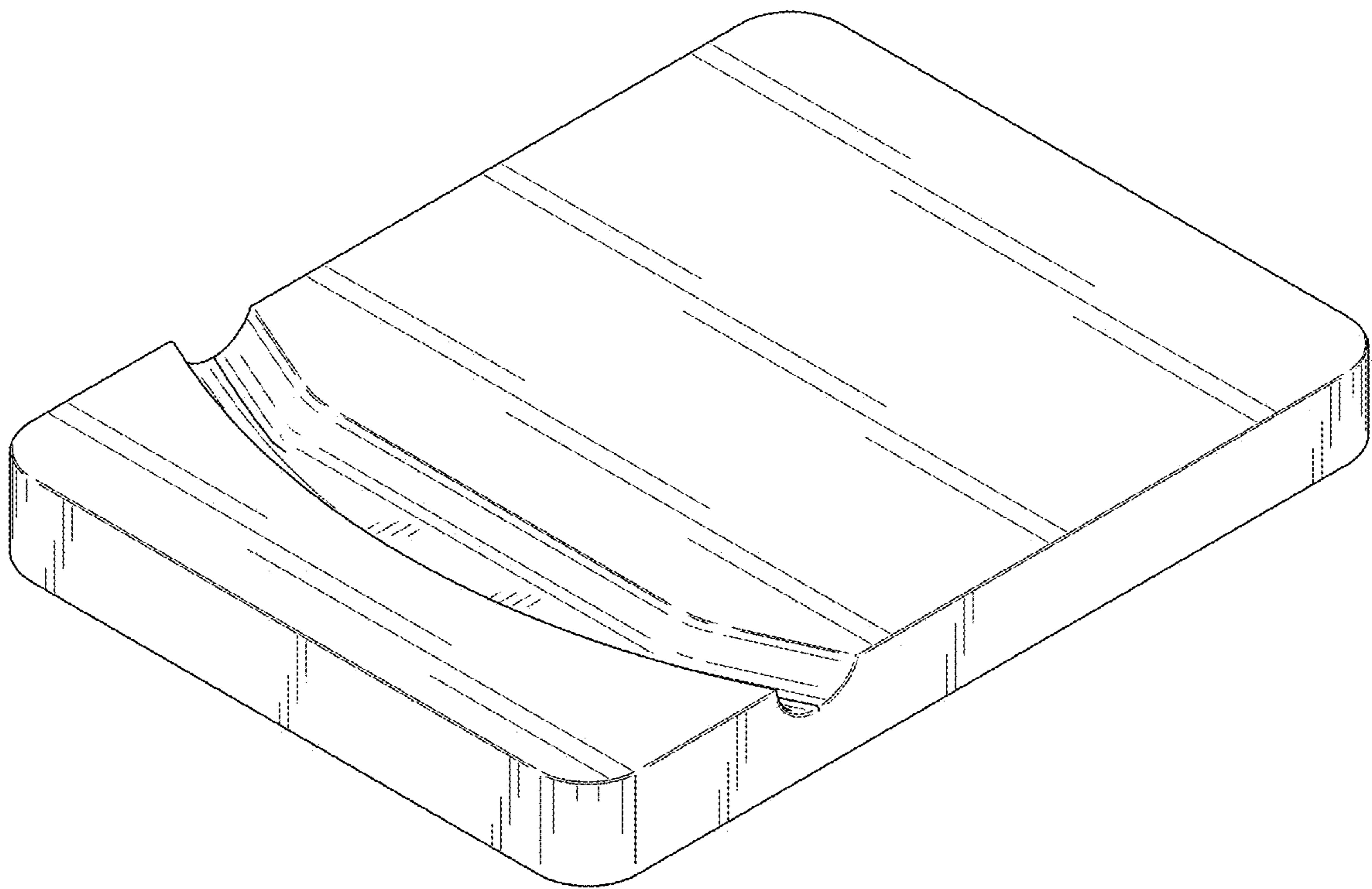


FIG. 2

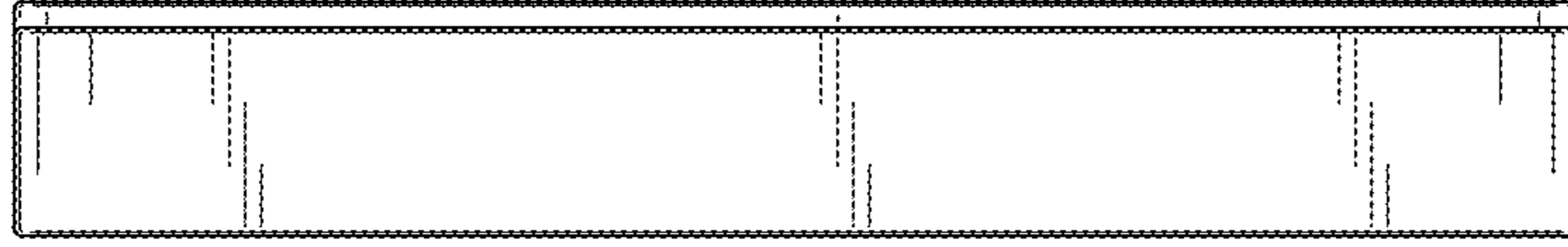


FIG. 3

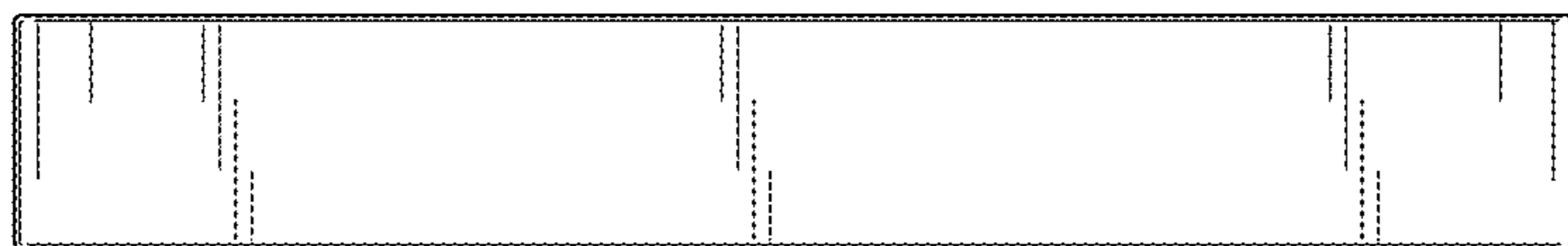


FIG. 4

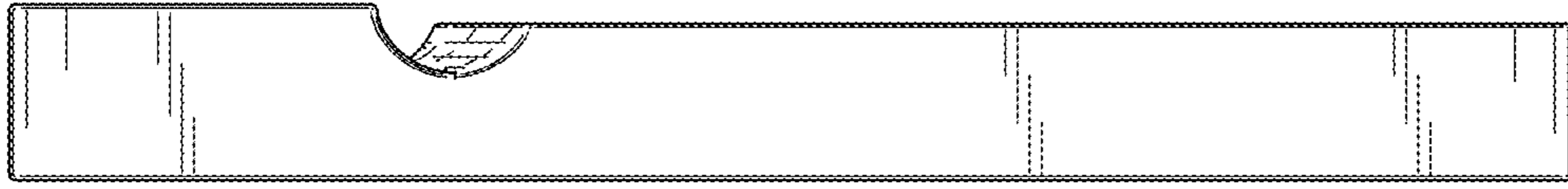


FIG. 5

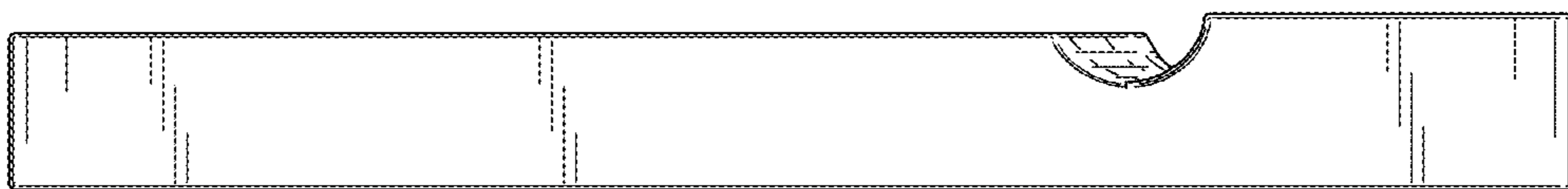


FIG. 6

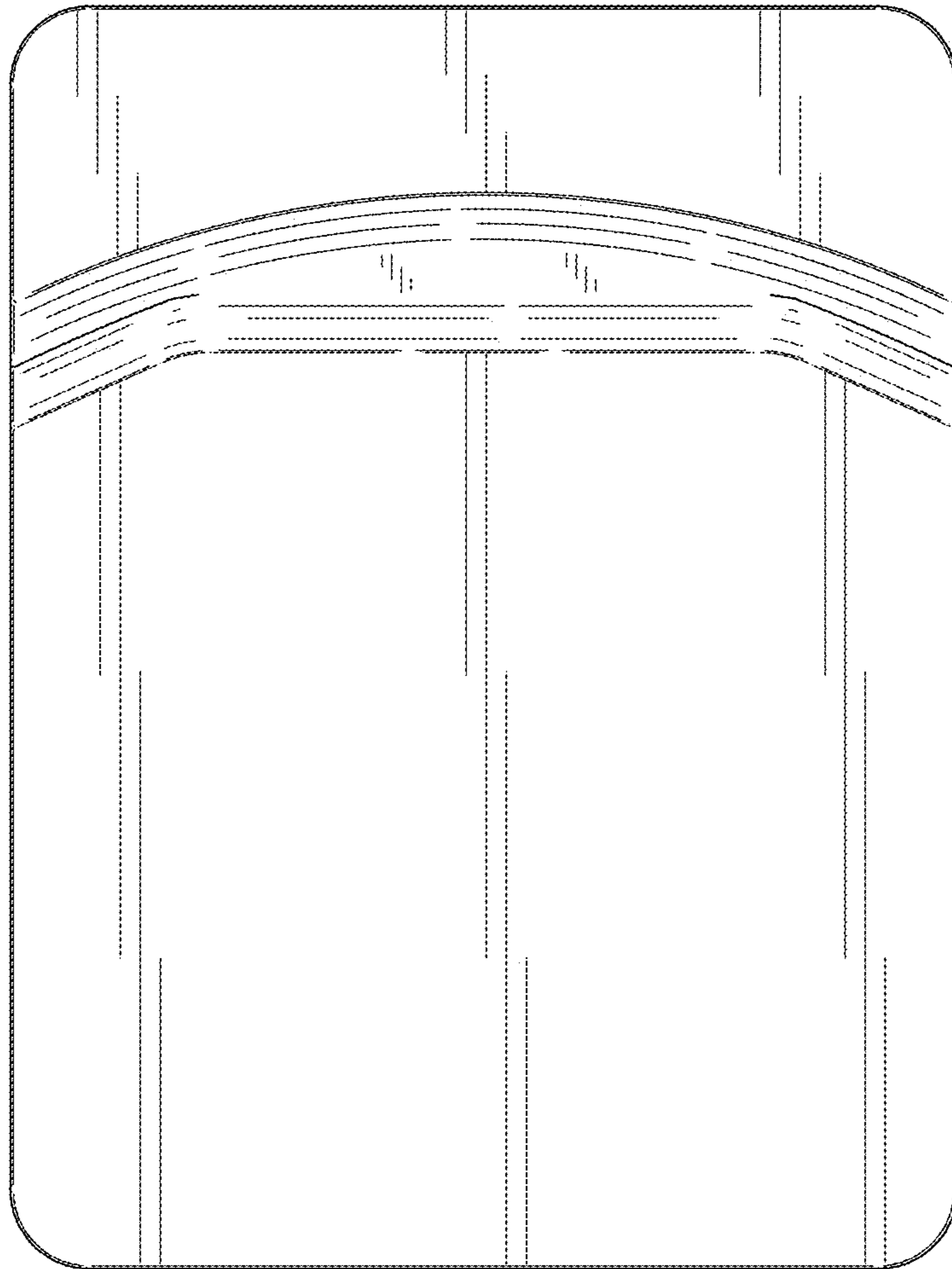


FIG. 7

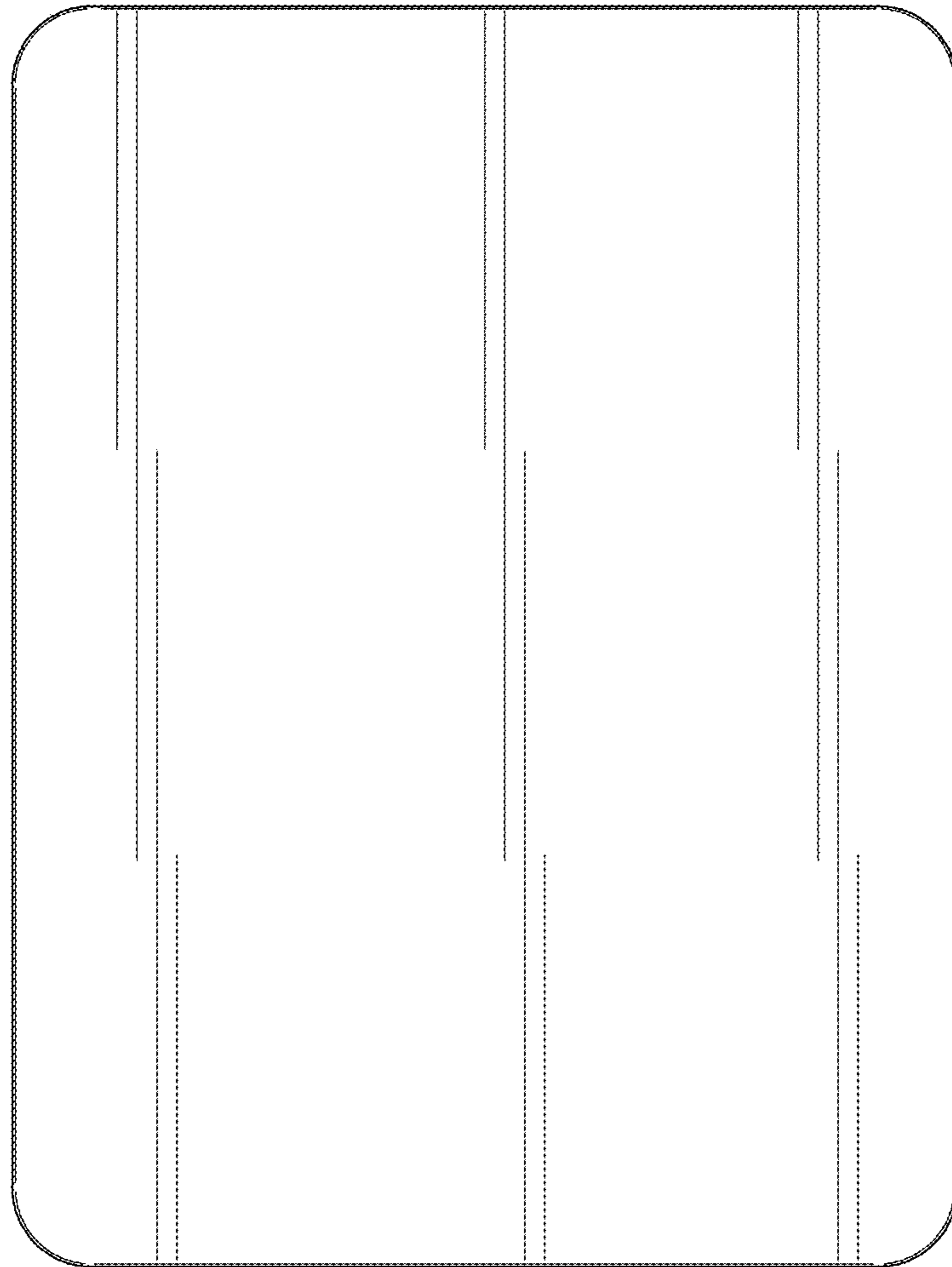


FIG. 8