



US00D953068S

(12) **United States Design Patent** (10) **Patent No.:** **US D953,068 S**
Wendling (45) **Date of Patent:** **** May 31, 2022**

(54) **CORNER DEVICE FOR A FLOOR COVERING**

(71) Applicant: **Just Fur Love LLC**, Boston, MA (US)

(72) Inventor: **Allan Wendling**, New Lothrop, MI (US)

(73) Assignee: **Just Fur Love, LLC**, Boston, MA (US)

(**) Term: **15 Years**

(21) Appl. No.: **29/777,866**

(22) Filed: **Apr. 8, 2021**

1,509,047 A	9/1924	Lindhorst
1,526,261 A	2/1925	Wachs
1,573,828 A	2/1926	Hamilton
1,598,127 A	8/1926	Fleming
2,042,692 A	6/1936	Wurzburg
2,236,465 A	3/1941	Carlson
4,681,786 A	7/1987	Brown
RE32,929 E *	5/1989	Ewing C09J 7/0275 206/460
4,853,268 A	8/1989	Hansen (Continued)

OTHER PUBLICATIONS

Super Grip Hairpiece Wig Tape. Amazon.com. Feb. 26, 2021. Accessed on Jan. 15, 2022. (Year: 2021).*

(Continued)

Primary Examiner — Kevin K Rudzinski
Assistant Examiner — Clare Ann Gannon
(74) *Attorney, Agent, or Firm* — Wolf, Greenfield & Sacks, P.C.

Related U.S. Application Data

(60) Division of application No. 29/723,518, filed on Feb. 7, 2020, now Pat. No. Des. 917,204, which is a continuation-in-part of application No. 29/709,677, filed on Oct. 16, 2019, now Pat. No. Des. 906,010, which is a continuation-in-part of application No. 29/678,684, filed on Jan. 30, 2019, now Pat. No. Des. 873,050.

(51) **LOC (13) Cl.** **06-11**

(52) **U.S. Cl.**
USPC **D6/592**

(58) **Field of Classification Search**
USPC D6/582–585, 587–588, 592
CPC A47G 27/0206; A47G 27/0225; A47G 27/0231
See application file for complete search history.

(57) **CLAIM**

The ornamental design for a corner device for a floor covering, as shown and described.

DESCRIPTION

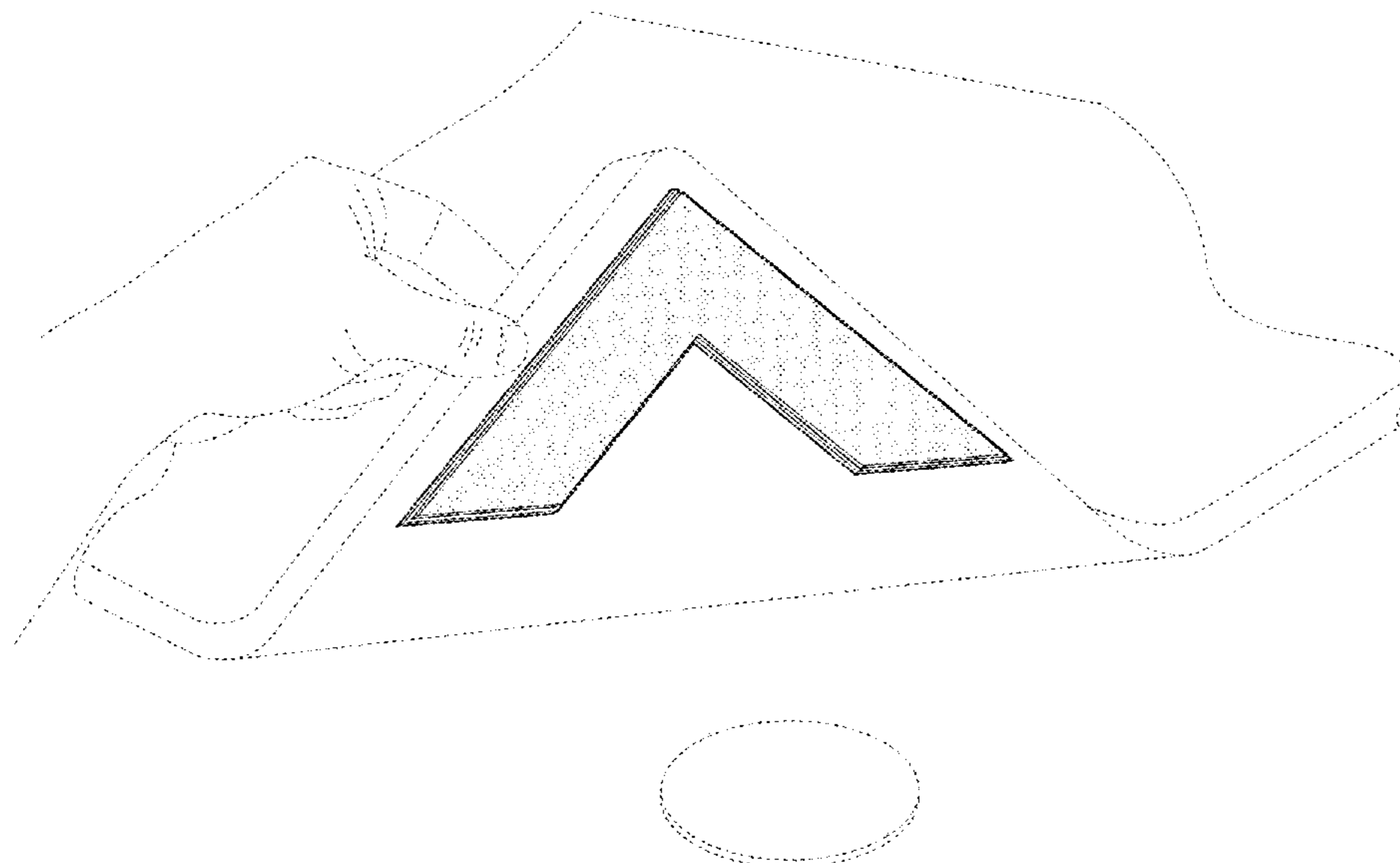
FIG. 1 is a perspective view of the corner device for a floor covering showing my new design in a position of use on an environmental floor covering, which is shown pulled back by a user;
FIG. 2 is a bottom view thereof;
FIG. 3 is a top plan view thereof;
FIG. 4 is a front elevation view thereof;
FIG. 5 is a right elevation view thereof;
FIG. 6 is a bottom plan view thereof; and,
FIG. 7 is a top plan view thereof.
The broken lines in the drawings depict environment of the corner device that forms no part of the claim.

(56) **References Cited**

U.S. PATENT DOCUMENTS

632,911 A	9/1899	Berry
882,859 A	3/1908	Ammerman
922,703 A	5/1909	Knapp
1,182,764 A	5/1916	Harral
1,430,981 A	10/1922	Goldthwaite

1 Claim, 6 Drawing Sheets



(56)

References Cited

U.S. PATENT DOCUMENTS

4,998,319 A 3/1991 Ford
 D351,694 S * 10/1994 Evans D30/161
 5,875,557 A * 3/1999 Ueki G01B 3/02
 33/494
 5,996,293 A * 12/1999 Anderson E06B 1/006
 249/39
 D420,658 S 2/2000 Eyler
 6,022,617 A 2/2000 Calkins
 6,124,017 A 9/2000 Sokol, Jr. et al.
 6,216,315 B1 4/2001 Fuzzell
 6,230,446 B1 5/2001 Chalich
 6,385,812 B1 5/2002 Iverson
 6,558,786 B1 5/2003 Jupina
 D616,020 S * 5/2010 Hoppus D19/9
 8,276,285 B1 * 10/2012 Bennett B43L 1/00
 33/429
 8,485,112 B1 7/2013 Madden
 D753,983 S 4/2016 Toye
 D798,781 S * 10/2017 Adkins D12/177
 10,345,090 B2 * 7/2019 Ostachowski G01B 3/563
 D873,050 S * 1/2020 Wendling G01B 3/563
 D6/592
 10,538,125 B1 * 1/2020 Smith E04G 21/1891
 D884,094 S * 5/2020 Huneau B43L 1/00
 D21/686
 D917,204 S * 4/2021 Wendling D6/582
 D917,925 S * 5/2021 Wendling E06B 1/006
 D6/582
 D926,493 S * 8/2021 Lagun D6/582
 D932,799 S * 10/2021 Wendling C09J 7/0275
 D6/582
 2001/0044964 A1 11/2001 Phillips
 2004/0068830 A1 4/2004 Sandeman
 2004/0093687 A1 5/2004 Bushey
 2004/0123421 A1 7/2004 Bushey
 2005/0257341 A1 11/2005 Chen et al.
 2008/0152860 A1 6/2008 Meyer

2008/0229501 A1 9/2008 Hutchison
 2009/0250367 A1 10/2009 Murdoch et al.
 2011/0059830 A1 3/2011 Reese
 2012/0073081 A1 3/2012 Crenshaw, Sr.
 2012/0285613 A1 11/2012 Bongiovanni et al.
 2014/0068858 A1 3/2014 Wambeke
 2015/0013065 A1 1/2015 Ketcham
 2016/0037944 A1 2/2016 Savignano
 2016/0135633 A1 5/2016 Wendling
 2019/0313825 A1 * 10/2019 Wendling A47G 27/045
 2019/0358482 A1 * 11/2019 Huneau A63B 22/20
 2021/0186245 A1 * 6/2021 Wendling A47G 27/04

OTHER PUBLICATIONS

Vienne Braided Burgundy Area Rug. Wwayfair.com. Aug. 13, 2018. Accessed on Jan. 15, 2022. <https://www.wayfair.com/August-Grove%C2%AE--Vienne-Braided-Burgundy-Area-Rug-BHUH5256-L167-K~AGTG4145.html> (Year: 2018).
 U.S. Appl. No. 29/723,518, filed Feb. 7, 2020, Allan Wendling.
 U.S. Appl. No. 29/709,677, filed Oct. 16, 2019, Allan Wendling.
 U.S. Appl. No. 29/678,684, filed Jan. 30, 2019, Allan Wendling.
 Rug Grippers by Befayoo. Amazon.com. Jul. 25, 2018. <<https://www.amazon.com/dp/B07FY1C72Z/>>. Accessed on Apr. 30, 2019. (Year:2018), 6 pages.
 Rug Pads for Hardwood Floors & Outdoor Rugs by Dageda. Amazon.com. Feb. 22, 2019. <<https://www.amazon.com/dp/B07P2G4QYB/>>. Accessed on Apr. 30, 2019, 6 pages.
 NeverCurl's Best V Shape Design to Instantly Stops Rug Corner Curling by iPrimio. Amazon.com. Dec. 25, 2014. <<https://www.amazon.com/NeverCurl-Instantly-Curling-floors-anti-slip/dp/BOOPBQ7EA2/>>. Accessed on Apr. 30, 2019, 7 pages.
 Rug Anchors Carpet Hook and Loop Non-slip Mat Anti-skid Stickers by Yorwe. Amazon.com Dec. 19, 2016. <<https://www.amazon.com/dp/B01N36UYZP/>>. Accessed on Apr. 30, 2019, 5 pages.

* cited by examiner

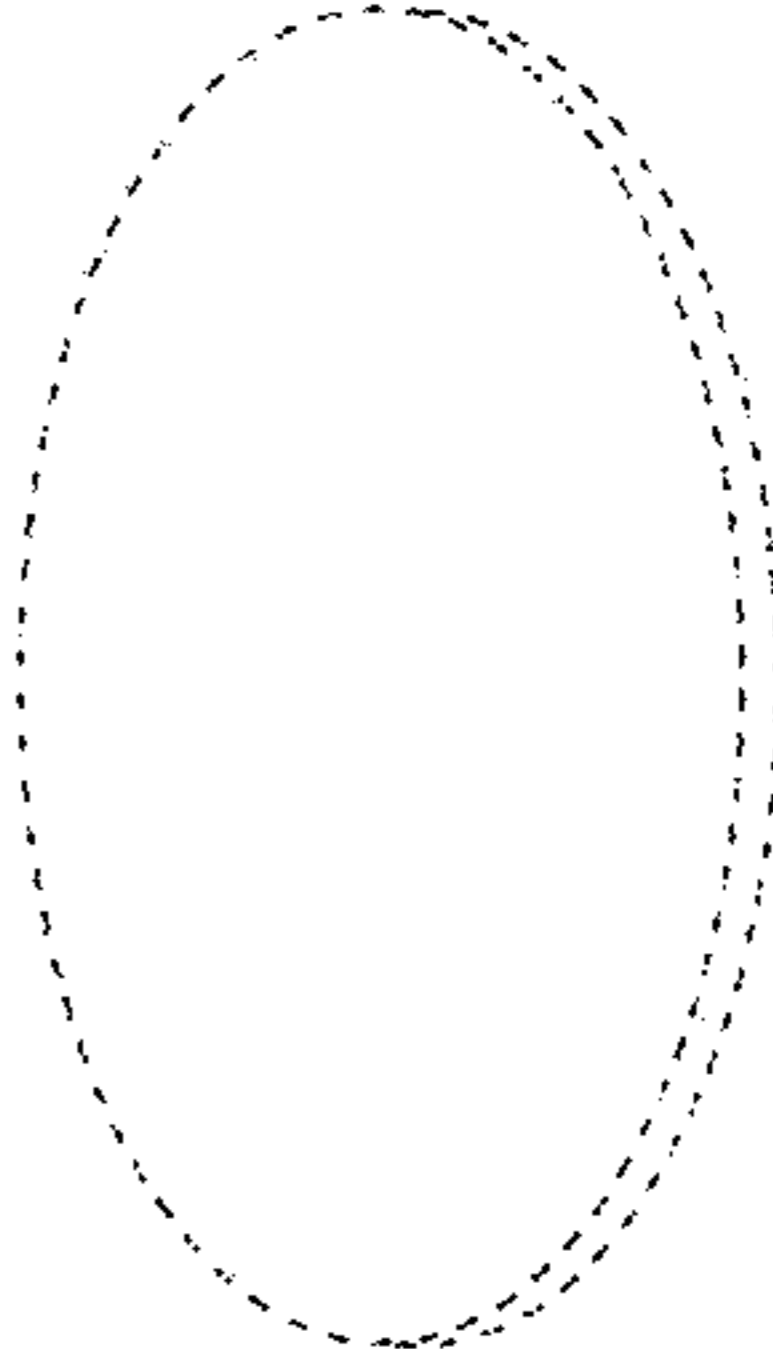
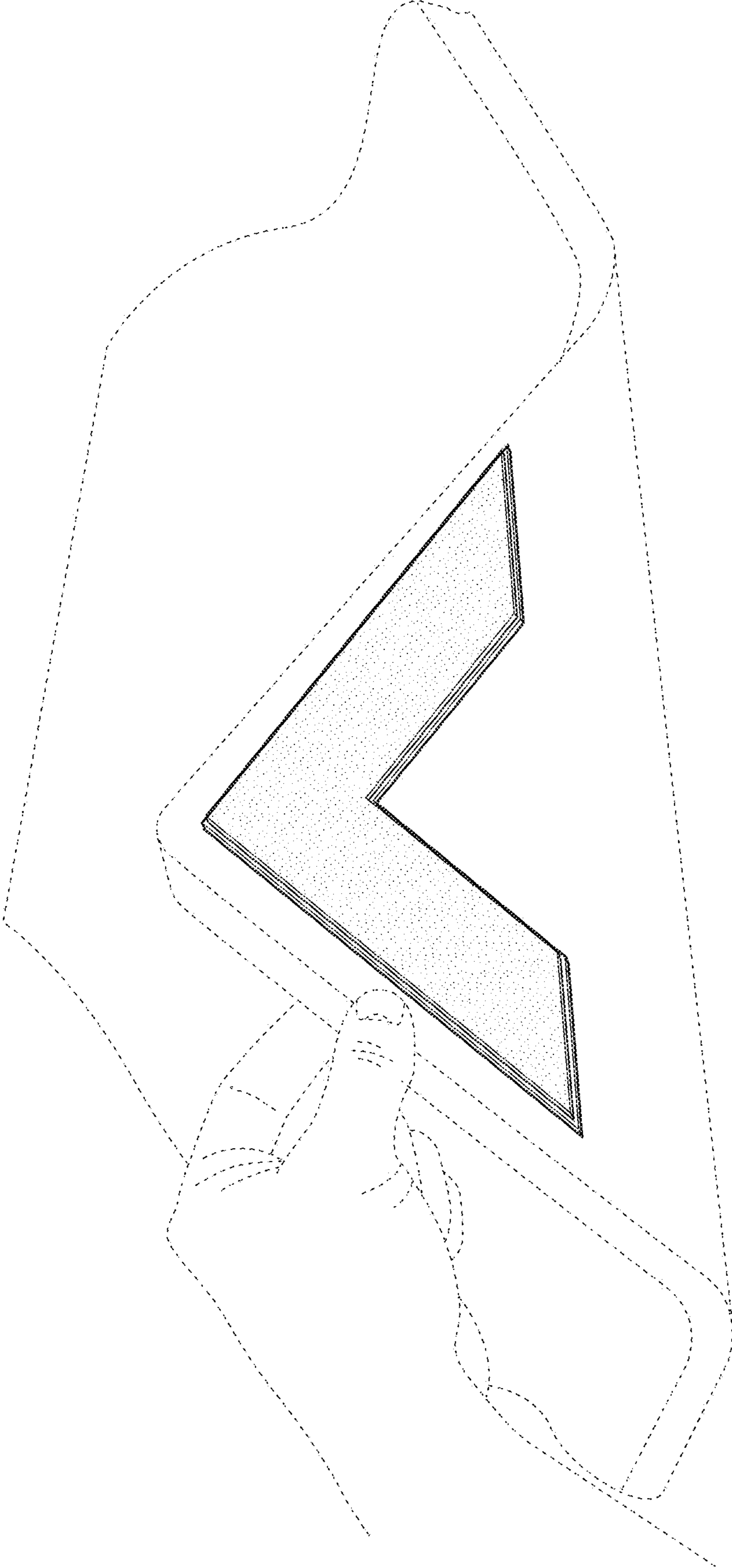


FIG. 1

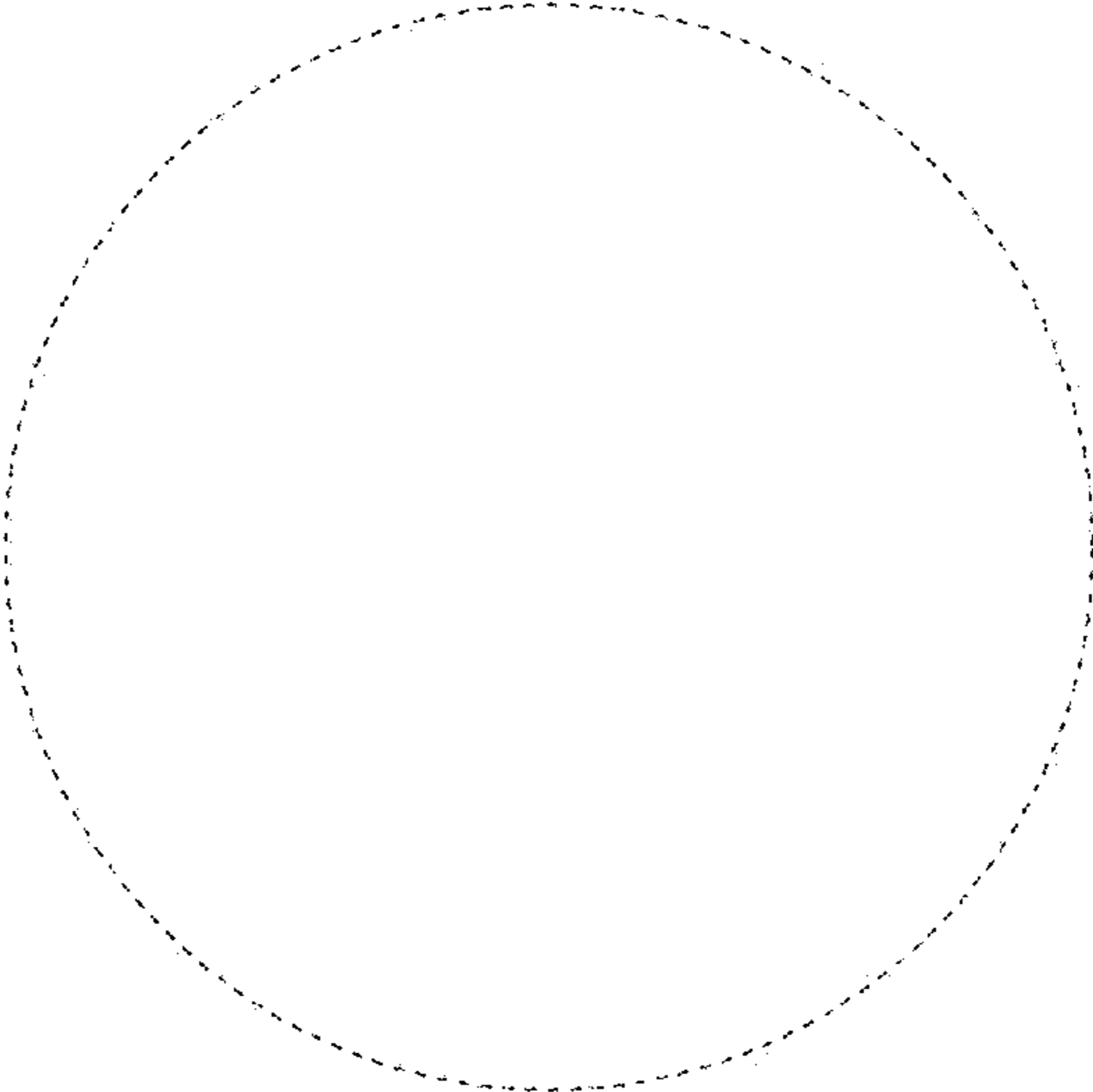
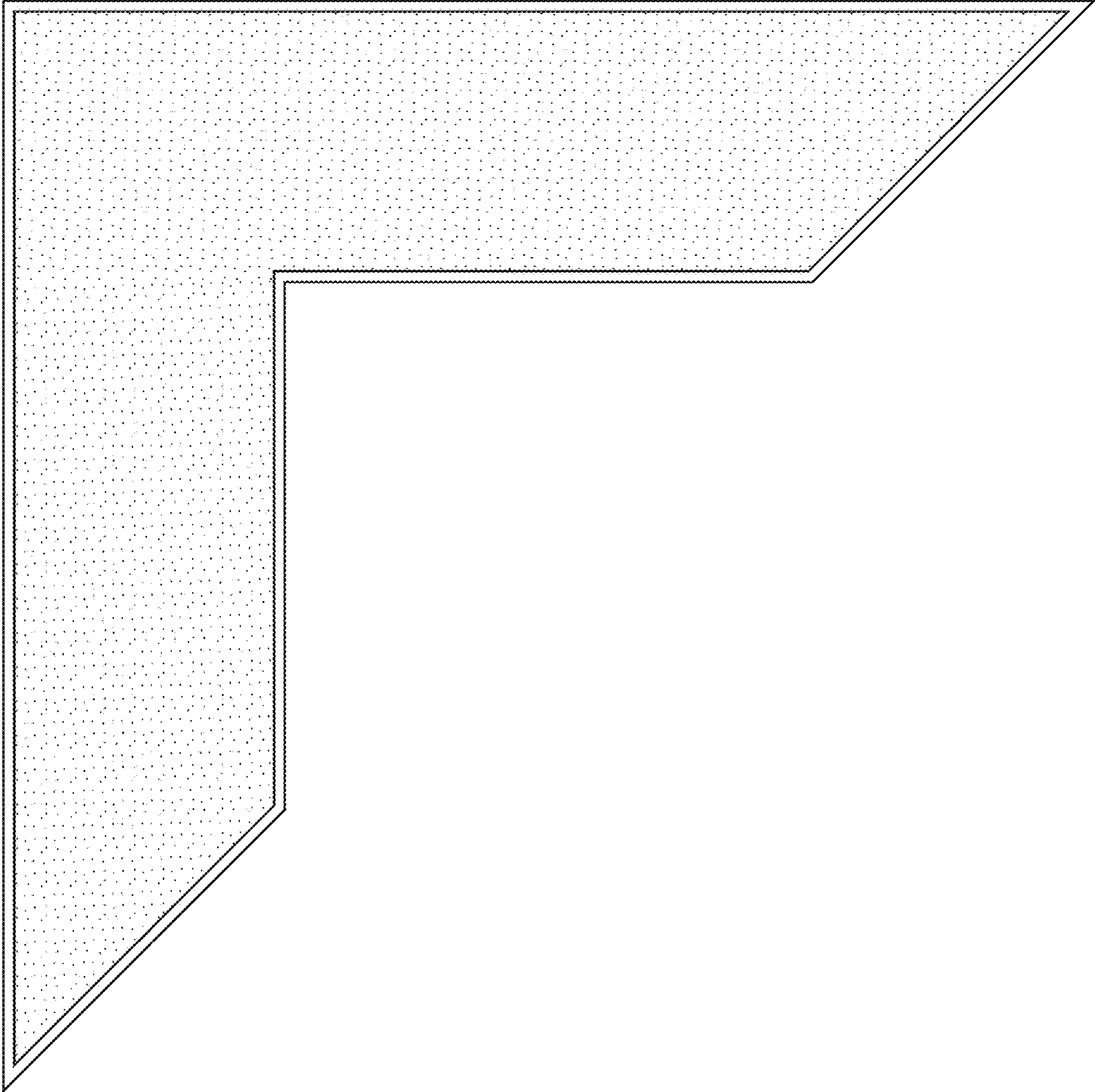


FIG. 2

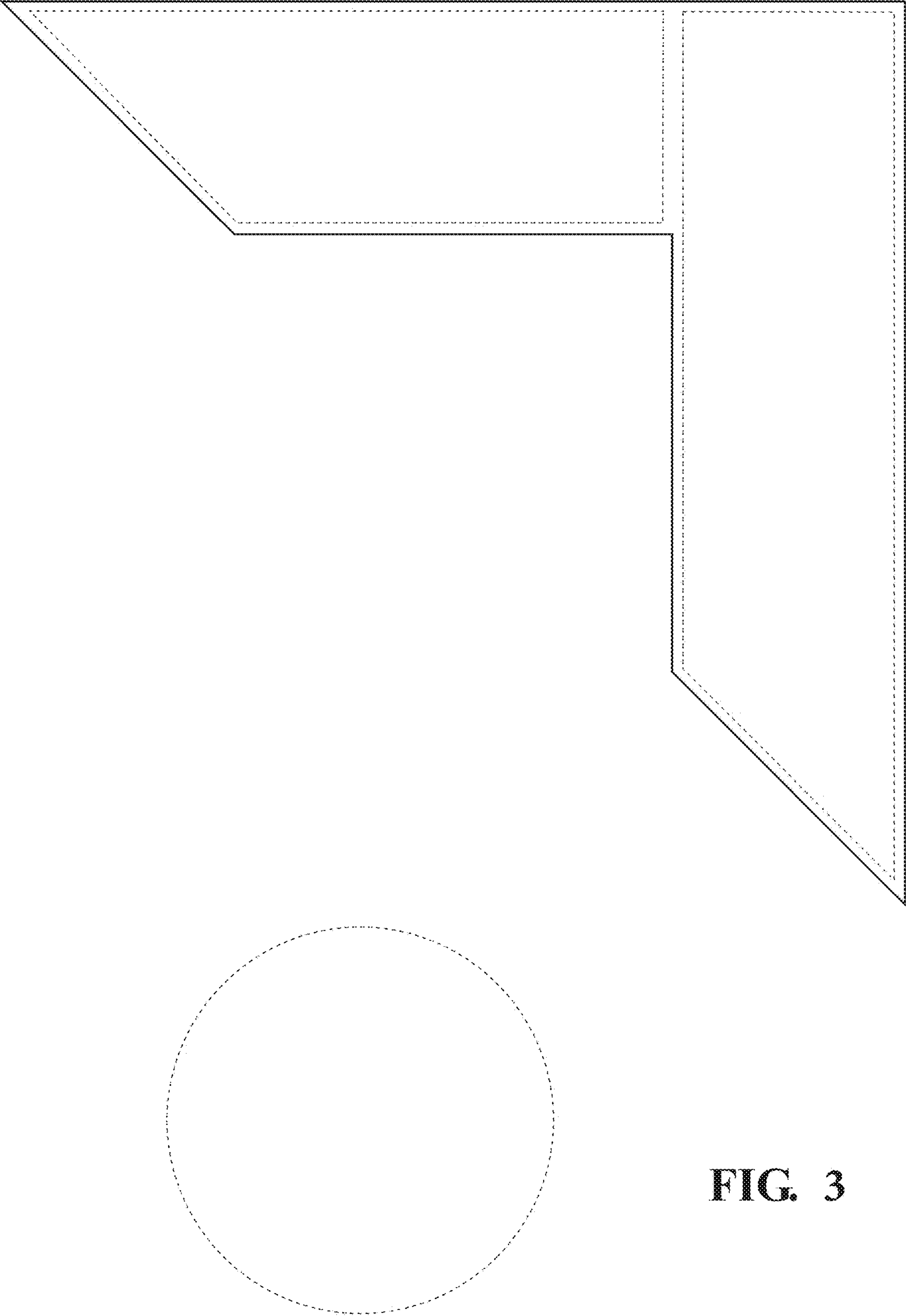


FIG. 3

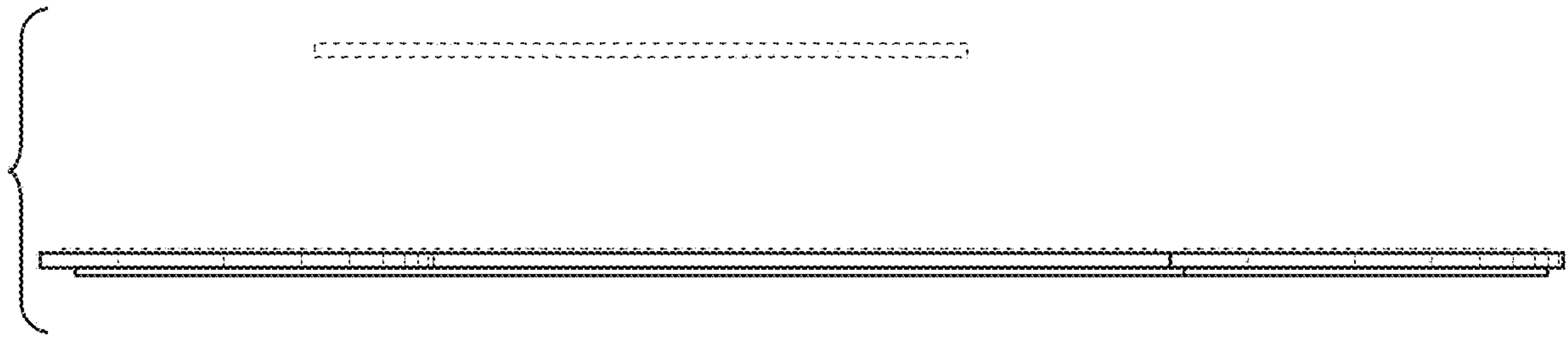


FIG. 4

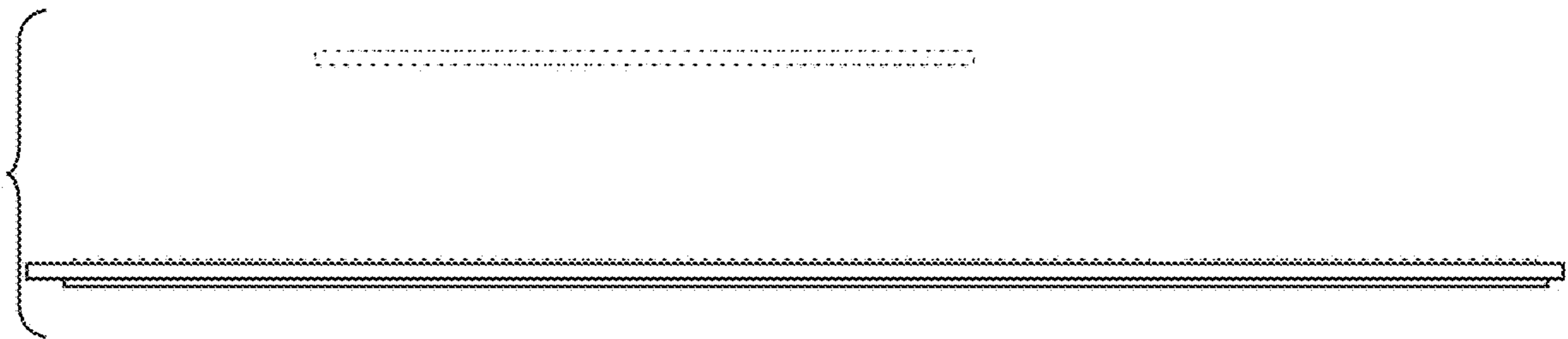


FIG. 5

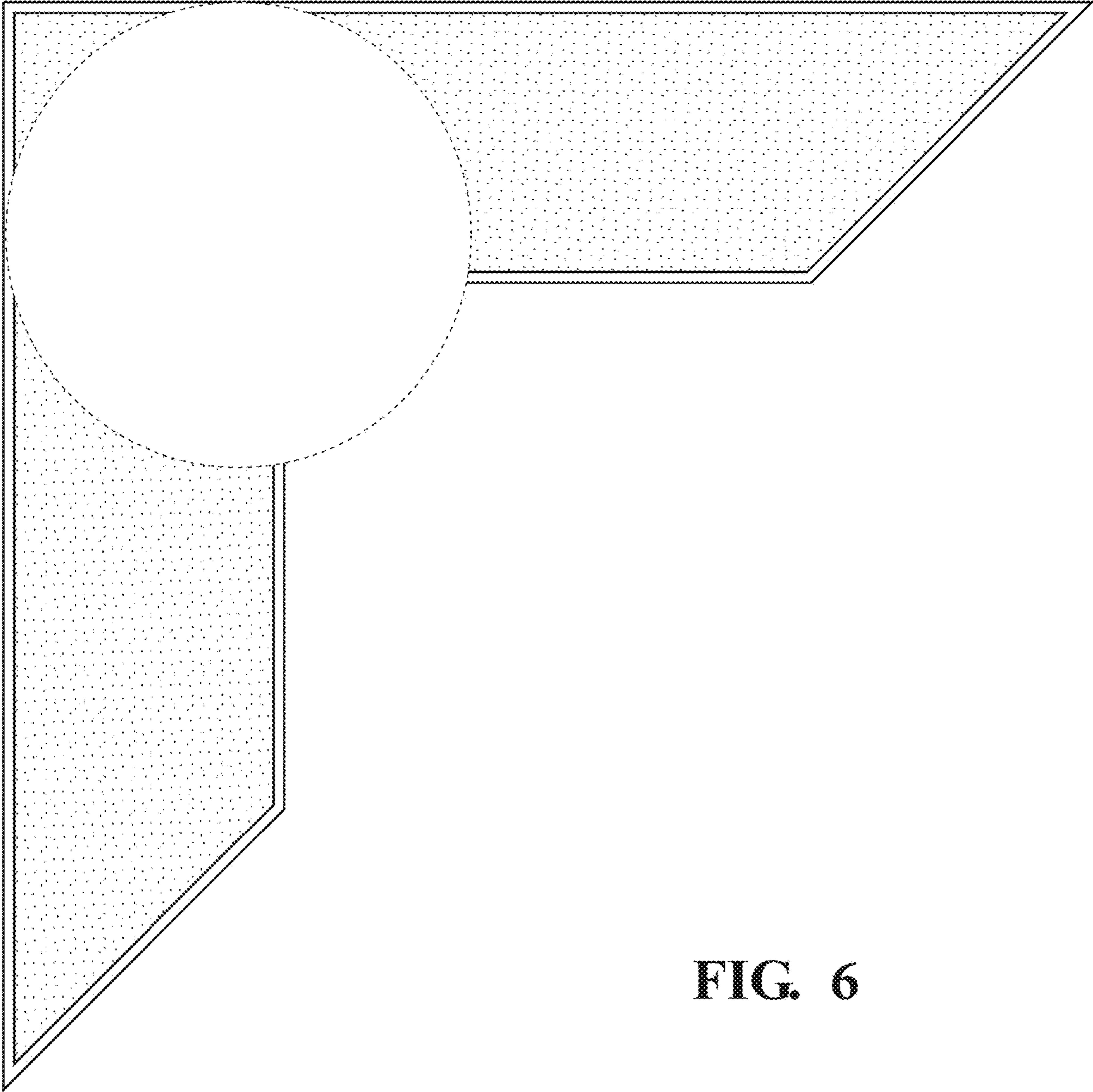


FIG. 6

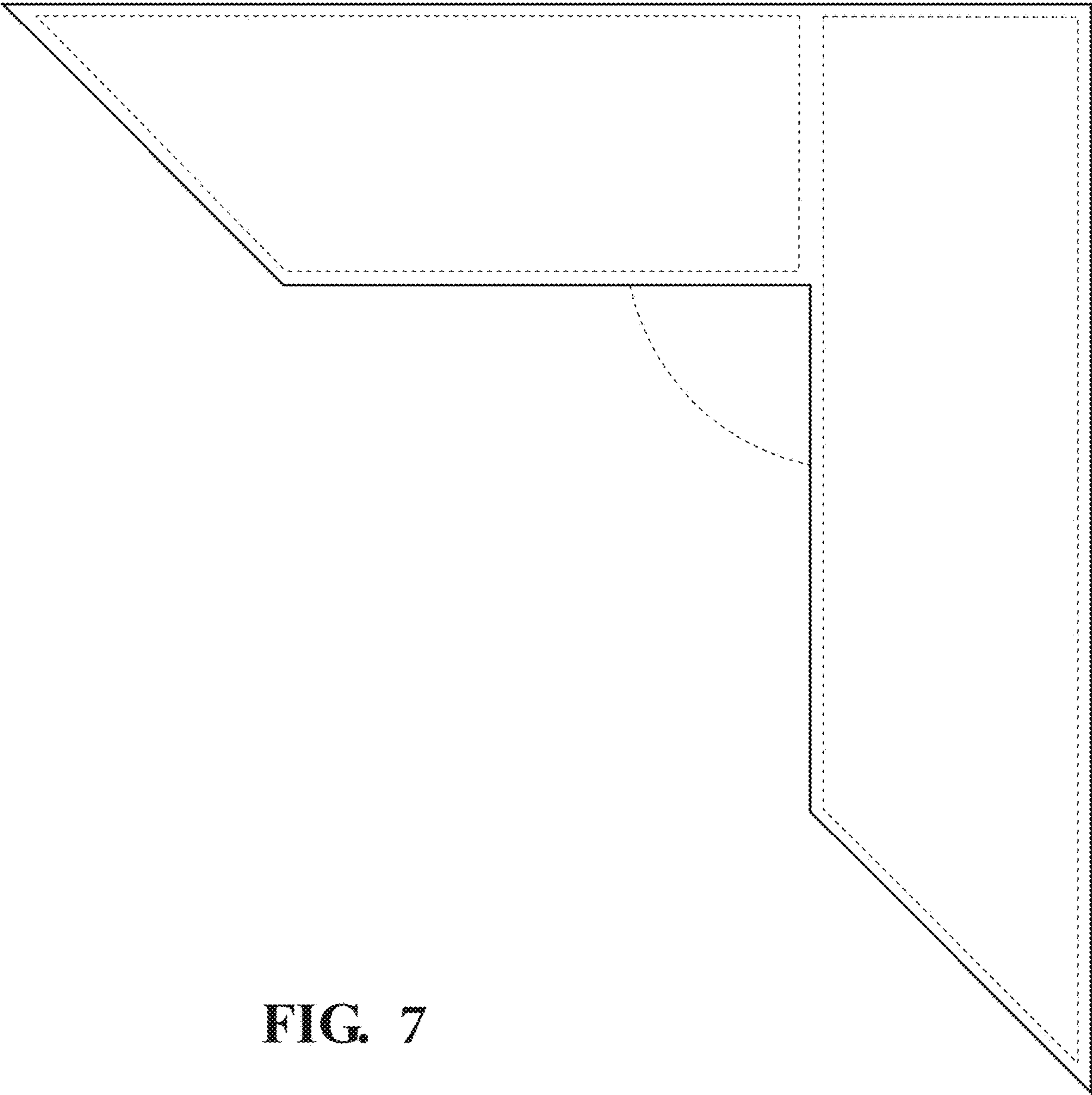


FIG. 7