



US00D953067S

(12) **United States Design Patent**
Maxcy

(10) **Patent No.:** **US D953,067 S**
(45) **Date of Patent:** **** May 31, 2022**

- (54) **OPERATING ROOM FLOOR MAT**
- (71) Applicant: **Colleen S. Maxcy**, Tampa, FL (US)
- (72) Inventor: **Colleen S. Maxcy**, Tampa, FL (US)
- (**) Term: **15 Years**
- (21) Appl. No.: **29/796,525**
- (22) Filed: **Jun. 24, 2021**

Related U.S. Application Data

- (62) Division of application No. 29/692,863, filed on May 20, 2019, now Pat. No. Des. 928,530.
- (51) **LOC (13) Cl.** **06-11**
- (52) **U.S. Cl.**
USPC **D6/588**
- (58) **Field of Classification Search**
USPC D6/331, 582, 583, 585-589, 591, 592;
D8/394; D12/203, 608; D19/9, 10, 37,
D19/113; D21/686, 780; D23/261, 310,
D23/361; D25/156; D30/161; D32/57
CPC A47G 27/02; A47G 27/0206; A47G
27/0212; A47G 27/0218; A47G 27/0225;
A47G 27/0231; A47G 27/0237; A47G
27/0275; A47G 27/0293; A47G 9/062;
A47K 3/002; A63B 6/00; A63B 21/4037
See application file for complete search history.

(56) **References Cited**

U.S. PATENT DOCUMENTS

- 227,115 A 5/1880 Lawrence
- 249,317 A 11/1881 De Young
- 902,573 A * 11/1908 Fleck A43B 3/0031
36/1
- 2,473,877 A * 6/1949 Goldstein A43B 23/24
36/1
- 2,843,868 A * 7/1958 Borgstrom A47L 23/266
15/215

- 3,330,053 A * 7/1967 Hendrix G09B 19/02
434/188
- 3,518,428 A * 6/1970 Jack H01F 7/0215
378/165
- 3,619,611 A * 11/1971 Hall G03B 42/047
378/165
- 4,035,653 A * 7/1977 Karasko G09F 3/0291
378/165
- 4,127,774 A * 11/1978 Gillen G03B 42/047
378/162
- D316,119 S * 4/1991 McDermott D14/494
- D369,936 S * 5/1996 Halcomb D6/596
- D401,101 S * 11/1998 Shanley, Jr. D6/583
- D406,000 S * 2/1999 Hartranft D6/583
- 6,219,876 B1 * 4/2001 Blum G09F 19/22
15/215
- D840,717 S * 2/2019 Lu A47L 23/266
D6/582

D878,497 S 3/2020 Miles
(Continued)

Primary Examiner — Kevin K Rudzinski
Assistant Examiner — Clare Ann Gannon
(74) *Attorney, Agent, or Firm* — Evan Law Group LLC

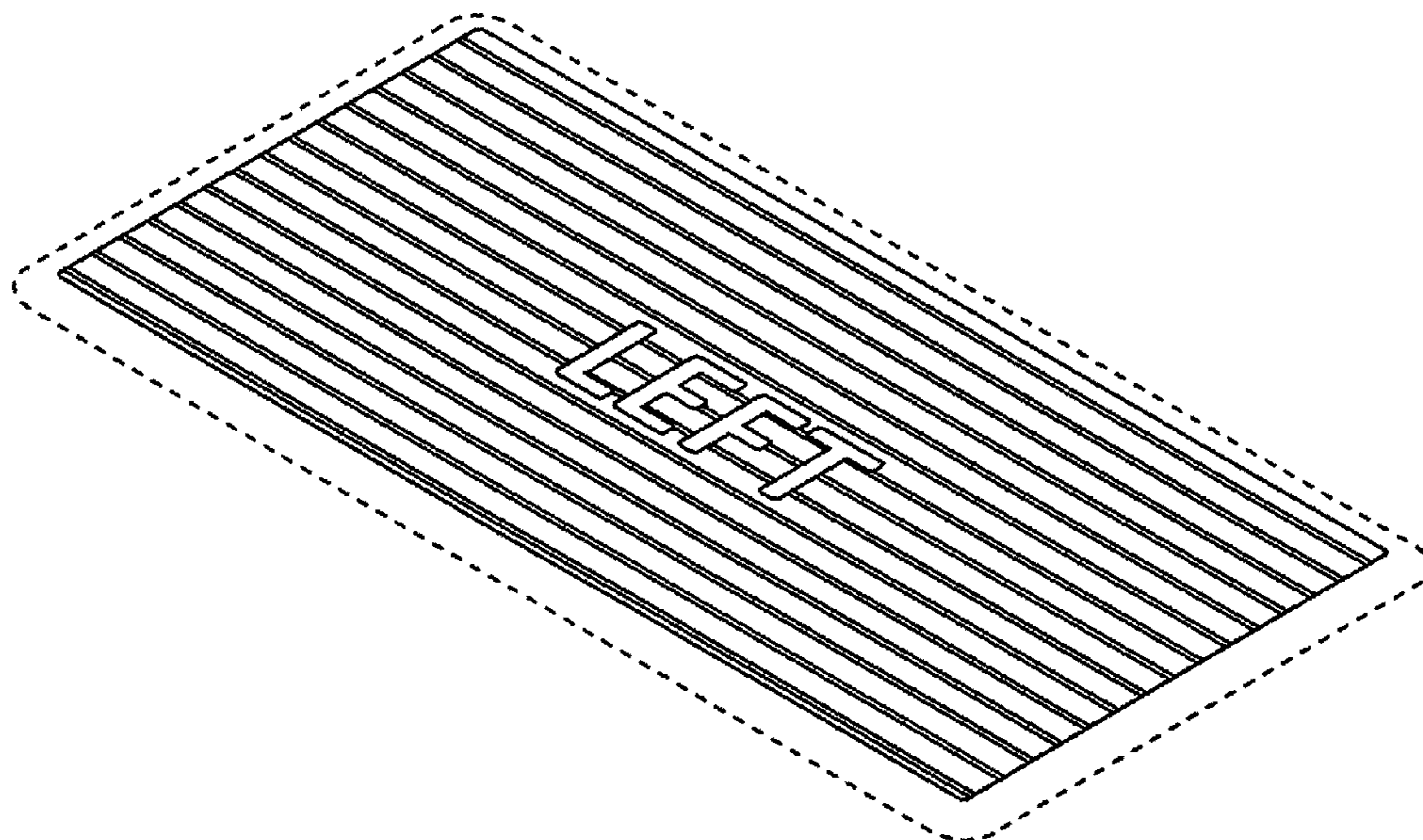
(57) **CLAIM**

The ornamental design for an operating room floor mat, as shown and described.

DESCRIPTION

FIG. 1 is a front, top, and side perspective view of an operating room floor mat, showing my design;
FIG. 2 is a top plan view thereof;
FIG. 3 is a bottom plan view thereof;
FIG. 4 is a front elevational view thereof; the opposite side being a mirror image; and,
FIG. 5 is a side elevational view thereof, the opposite side being a mirror image.
The broken lines shown represent portions of the operating room floor mat that form no part of the claimed design.

1 Claim, 2 Drawing Sheets



(56)

References Cited

U.S. PATENT DOCUMENTS

D883,346 S * 5/2020 Pier H01F 7/0215
D15/32
10,959,599 B1 * 3/2021 Gunter A47G 27/0206
D922,286 S * 6/2021 Fang A43B 23/24
D12/203
D924,515 S * 7/2021 Levi A43B 3/0031
D32/57
D928,530 S * 8/2021 Maxcy A47L 23/266
D6/582
D929,679 S * 8/2021 Elliott A47L 23/266
D30/161
D936,319 S * 11/2021 Khan D32/57
2002/0187315 A1 * 12/2002 Tanel A47L 23/266
428/204
2003/0044561 A1 * 3/2003 Kobayashi B32B 7/12
428/47
2014/0329044 A1 * 11/2014 Fantin B32B 3/18
428/71
2019/0117039 A1 * 4/2019 McKeown A47L 23/26
2021/0000562 A1 * 1/2021 Maxcy A61B 90/39

* cited by examiner

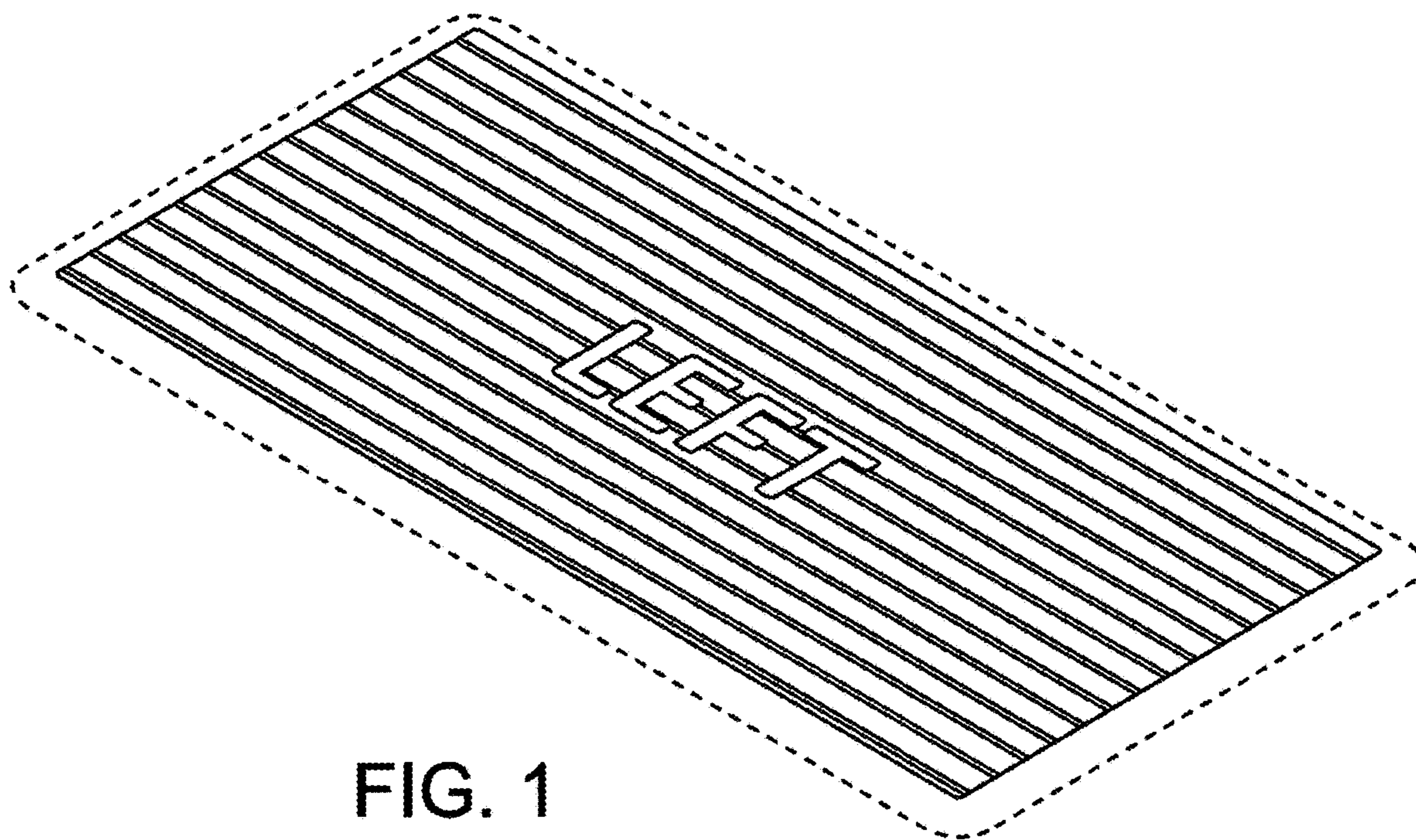


FIG. 1

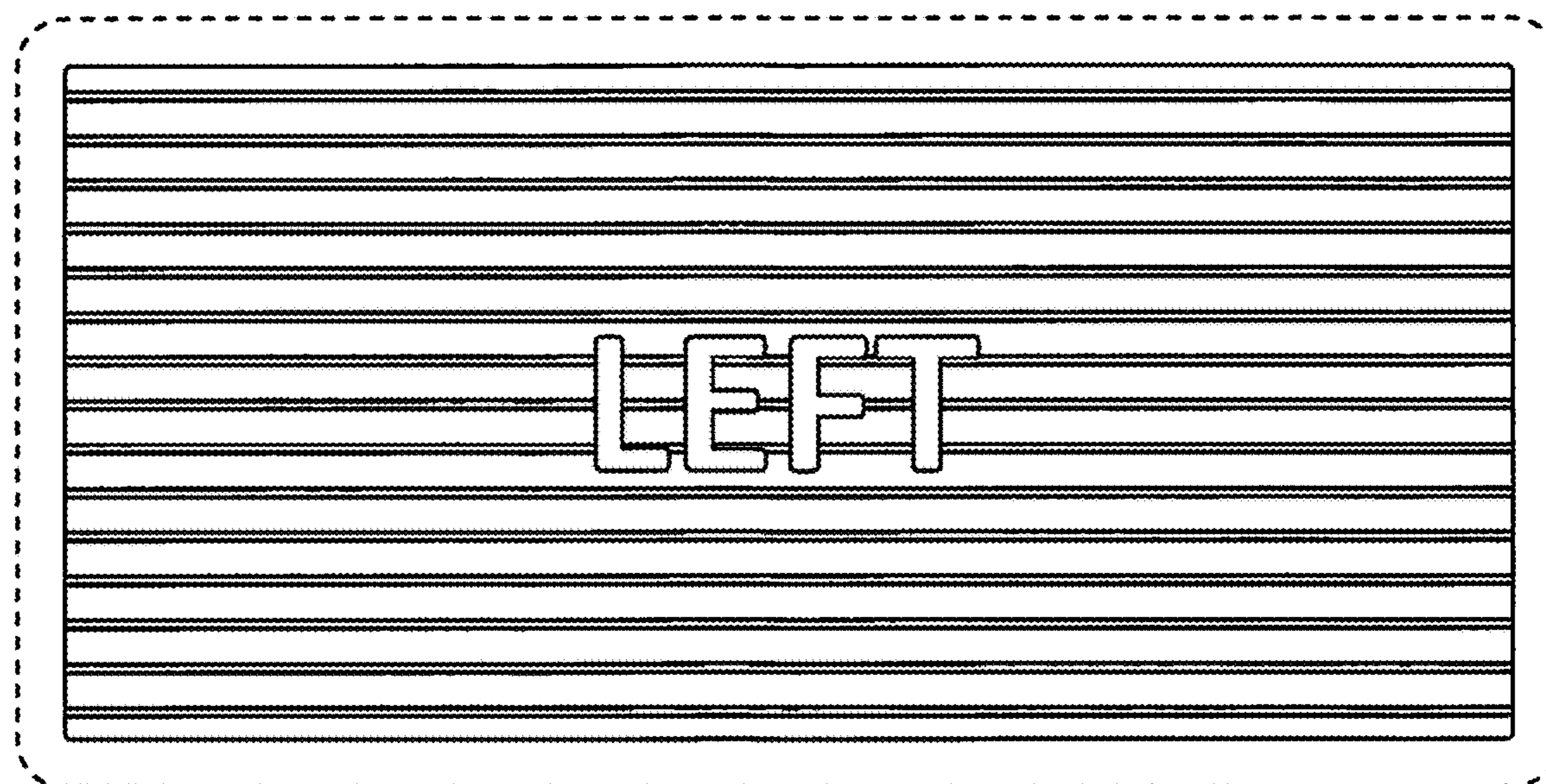


FIG. 2



FIG. 3



FIG. 4

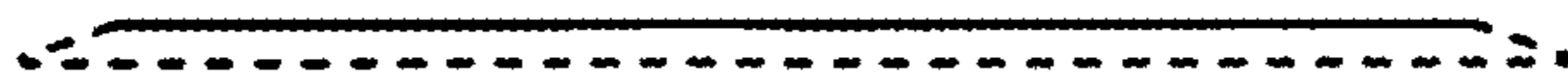


FIG. 5