



US00D953064S

(12) **United States Design Patent** (10) **Patent No.:** **US D953,064 S**
Allard et al. (45) **Date of Patent:** **** May 31, 2022**

(54) **DOUBLE TOWEL BAR**

D617,593 S * 6/2010 Cohen D6/548
D766,616 S * 9/2016 Citterio D6/549
D788,490 S * 6/2017 Klein D6/548

(71) Applicant: **Grohe AG**, Hemer (DE)

(72) Inventors: **Jochen Allard**, Duesseldorf (DE);
Michael Seum, Duesseldorf (DE)

(73) Assignee: **Grohe AG**, Hemer (DE)

(**) Term: **15 Years**

(21) Appl. No.: **29/732,337**

(22) Filed: **Apr. 23, 2020**

(30) **Foreign Application Priority Data**

Oct. 23, 2019 (EM) 007081724-0016

(51) **LOC (13) Cl.** **06-04**

(52) **U.S. Cl.**
USPC **D6/548**

(58) **Field of Classification Search**
USPC D6/546-550, 512-525; D8/300,
D8/315-321, 354, 363, 373, 380
CPC A47K 10/10; A47H 1/022
See application file for complete search history.

(56) **References Cited**

U.S. PATENT DOCUMENTS

D274,026 S * 5/1984 Boroch D6/548
D422,171 S * 4/2000 Mahlmann D6/548
D437,163 S * 2/2001 Fiegl D6/548
D450,510 S * 11/2001 Gottwald D6/548
D455,591 S * 4/2002 Zetsche D6/548
D571,592 S * 6/2008 Bickler D6/548
D576,830 S * 9/2008 Kristensen D6/548
D590,645 S * 4/2009 Weststrate D6/548
D613,540 S * 4/2010 Klein D6/548
D613,983 S * 4/2010 Klein D6/548

OTHER PUBLICATIONS

Amazon.com, Swivel towel bar brushed nickel, two arms wall mount towel hanger holder, Jul. 22, 2020, <https://www.amazon.com/Swivel-Brushed-Nickel-Bathroom-Organizer/dp/B081GMLZFM/> (Year: 2020).*

Amazon.com, Essentials 18 in. Double Towel Bar, Aug. 5, 2015, <https://www.amazon.com/Essentials-18-Double-Towel-Bar/dp/B013SJOVGI/> (Year: 2015).*

* cited by examiner

Primary Examiner — Nathan M Johnston

(74) *Attorney, Agent, or Firm* — Muncy, Geissler, Olds & Lowe, P.C.

(57) **CLAIM**

The ornamental design for a double towel bar, as shown and described.

DESCRIPTION

FIG. 1 is a front perspective view of a double towel bar according to the present invention.

FIG. 2 is a front view of the double towel bar of FIG. 1.

FIG. 3 is a rear view of the double towel bar of FIG. 1.

FIG. 4 is a left side view of the double towel bar of FIG. 1.

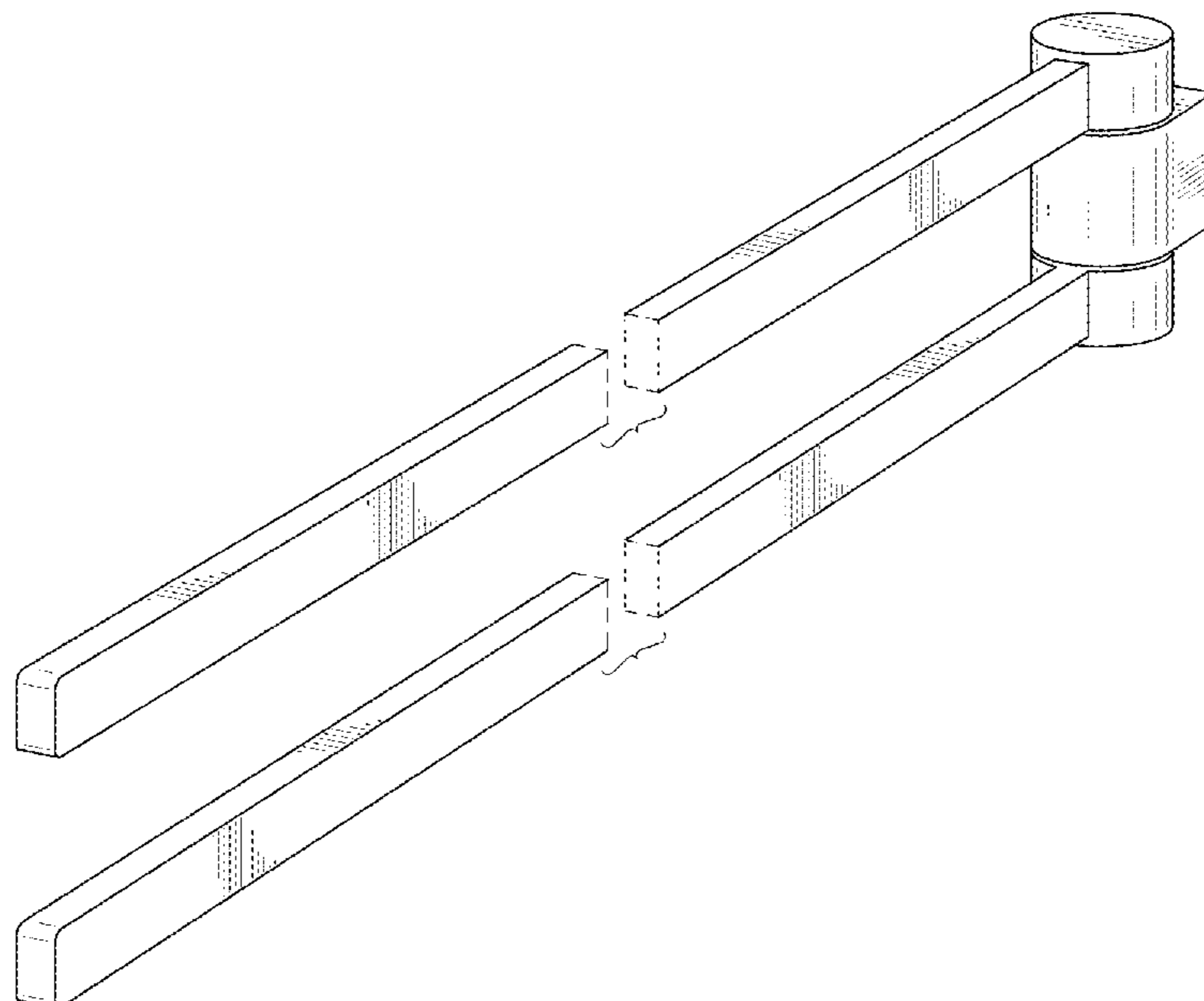
FIG. 5 is a right side view of the double towel bar of FIG. 1.

FIG. 6 is a top view of the double towel bar of FIG. 1; and, FIG. 7 is a bottom view of the double towel bar of FIG. 1.

The broken lines show portions of the double towel bar that form no part of the claimed design.

The double towel bar is shown with a symbolic break in its length. The appearance of any portion of the article between the break lines forms no part of the claimed design.

1 Claim, 7 Drawing Sheets



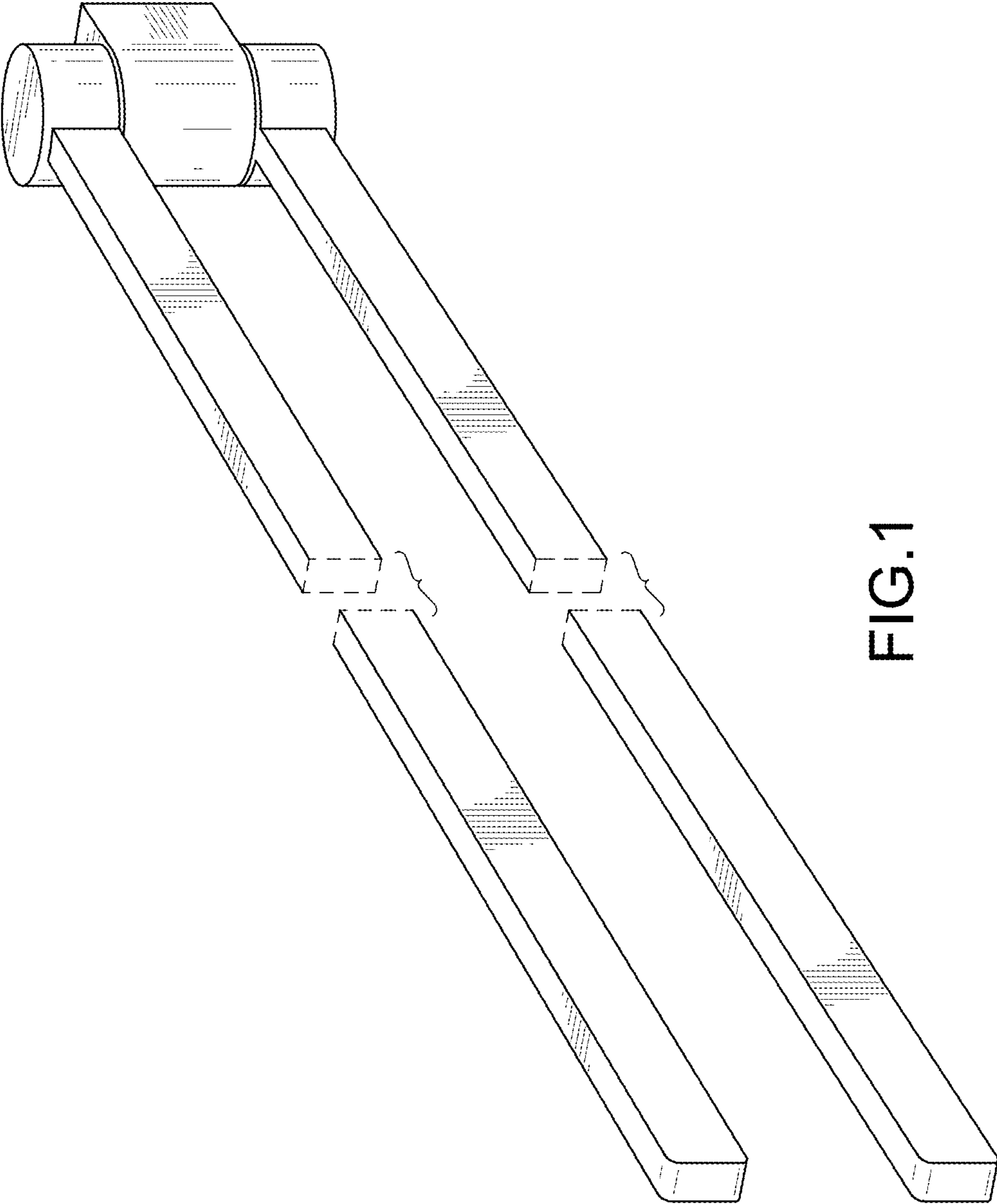


FIG.1

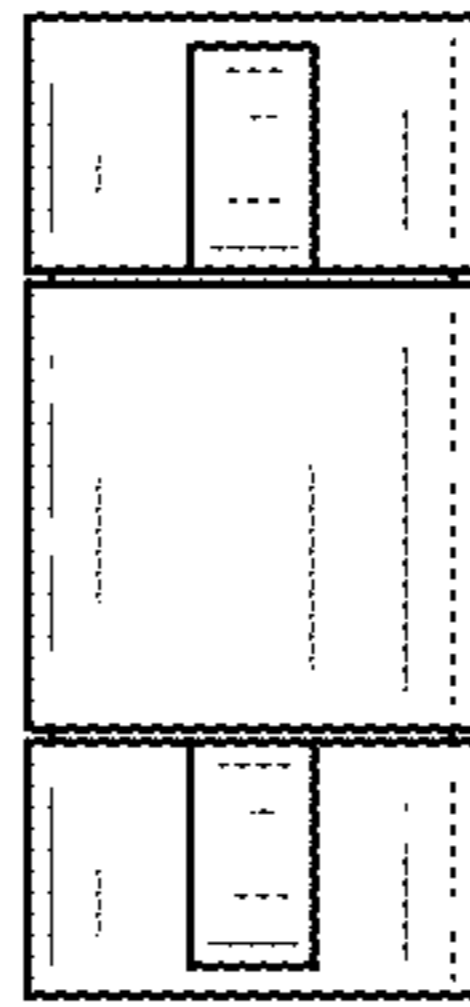


FIG.2

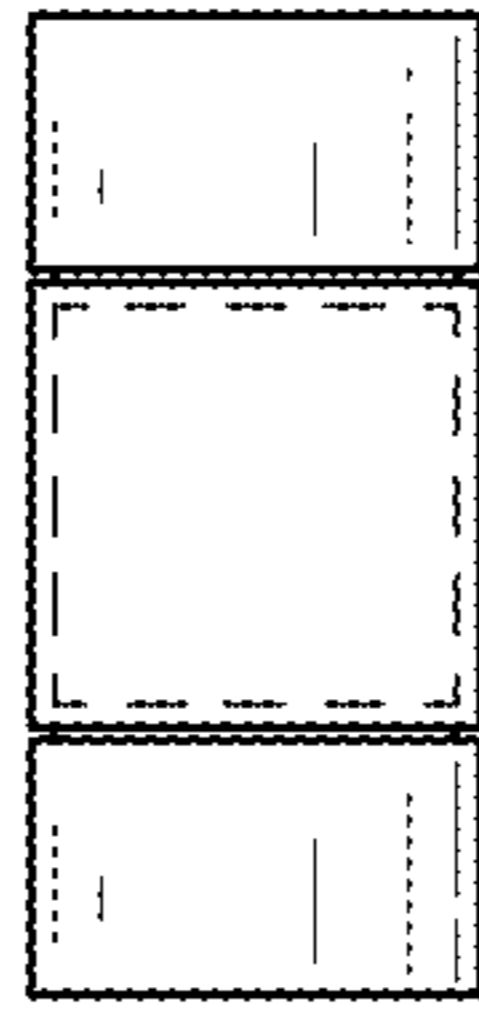


FIG.3

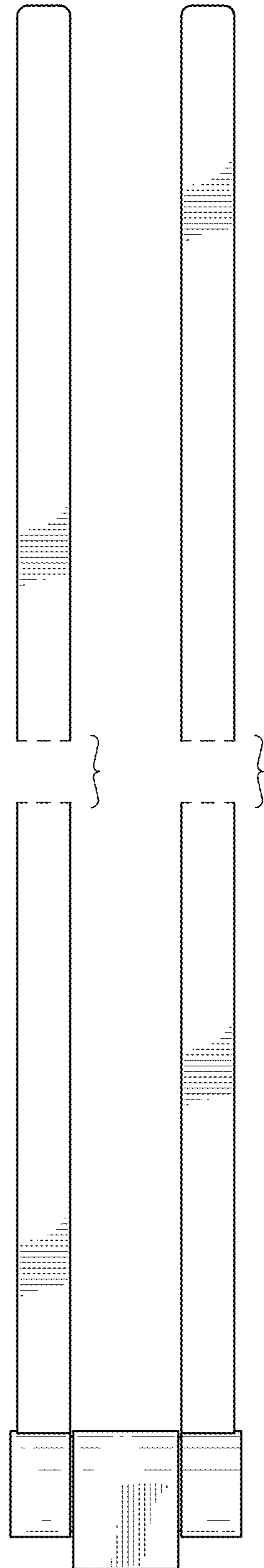


FIG.4

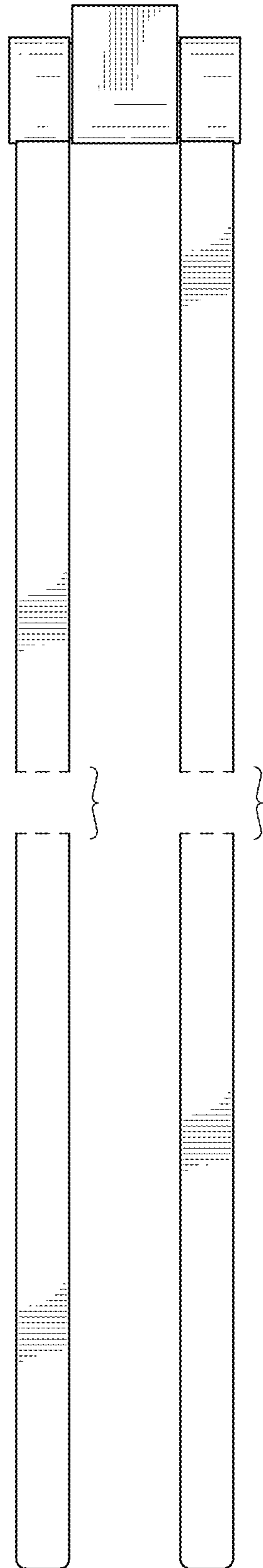


FIG.5

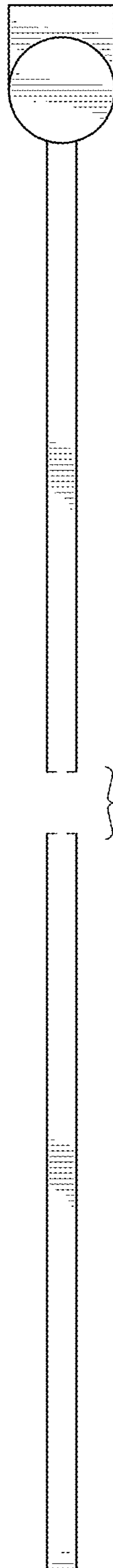


FIG.6

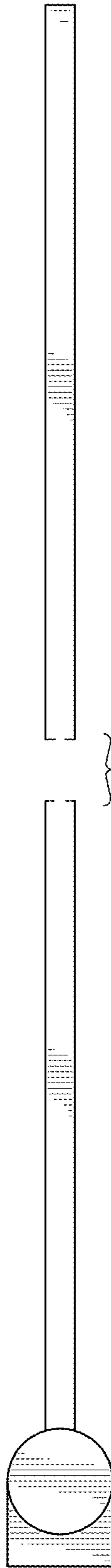


FIG.7