



US00D953061S

(12) **United States Design Patent** (10) **Patent No.:** **US D953,061 S**
Wei (45) **Date of Patent:** **** *May 31, 2022**

- (54) **WASHSTAND**
- (71) Applicant: **Yongjin Wei**, Wuzhou (CN)
- (72) Inventor: **Yongjin Wei**, Wuzhou (CN)
- (*) Notice: This patent is subject to a terminal disclaimer.
- (**) Term: **15 Years**
- (21) Appl. No.: **29/753,145**
- (22) Filed: **Sep. 30, 2020**
- (51) **LOC (13) Cl.** **06-04**
- (52) **U.S. Cl.**
USPC **D6/514**
- (58) **Field of Classification Search**
USPC D6/514, 315, 320, 327, 512, 513, 553,
D6/566, 567, 569, 531, 534, 540, 558;
D8/349, 354, 367, 372; D22/147;
211/13.1, 30, 32, 70.6, 56.01, 87.01,
211/181.1; 248/121, 175, 200, 301-304,
248/309.1, 309.2, 310, 312, 560;
D23/286; D15/150; D28/18, 38, 73
CPC .. A61K 9/0056; A61K 31/435; A61K 31/445;
A61K 31/4468; A61K 9/006
See application file for complete search history.

D294,530 S *	3/1988	Carluccio	D28/73
D406,715 S *	3/1999	Badillo	D6/567
D552,796 S *	10/2007	Petruccelli	D28/18
D598,525 S	8/2009	Ferris	
D608,577 S *	1/2010	Racanelli	D6/534
D637,851 S *	5/2011	Hsieh	D6/567
D639,097 S *	6/2011	Hayes	D6/567
D691,389 S	10/2013	Snider	
D790,249 S *	6/2017	Park	D6/540
D837,349 S	1/2019	Chung et al.	
D839,019 S *	1/2019	Spencer	D6/514

* cited by examiner

Primary Examiner — Wan Laymon
Assistant Examiner — Mark Booker

(74) *Attorney, Agent, or Firm* — True Shepherd LLC;
Andrew C. Cheng

(57) **CLAIM**

The ornamental design for a washstand, as shown and described.

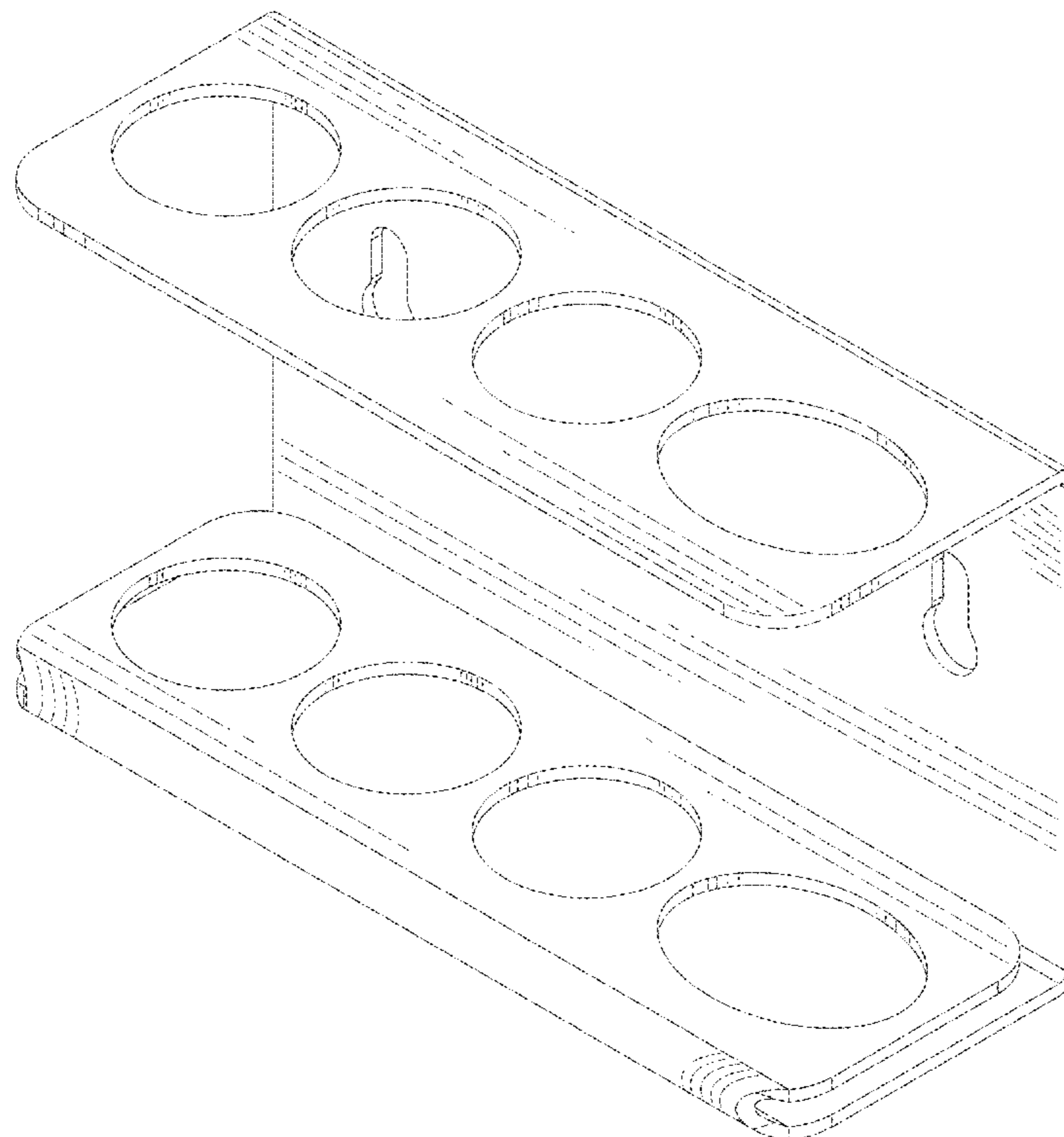
DESCRIPTION

FIG. 1 is a perspective view of a washstand showing my new design;
FIG. 2 is a front view thereof;
FIG. 3 is a rear view thereof;
FIG. 4 is a right side view thereof;
FIG. 5 is a left side view thereof;
FIG. 6 is a top plan view thereof; and,
FIG. 7 is a bottom plan, view thereof.

(56) **References Cited**
U.S. PATENT DOCUMENTS

D248,909 S *	8/1978	Frazian	D12/420
D257,458 S *	10/1980	Benoit	D6/531

1 Claim, 7 Drawing Sheets



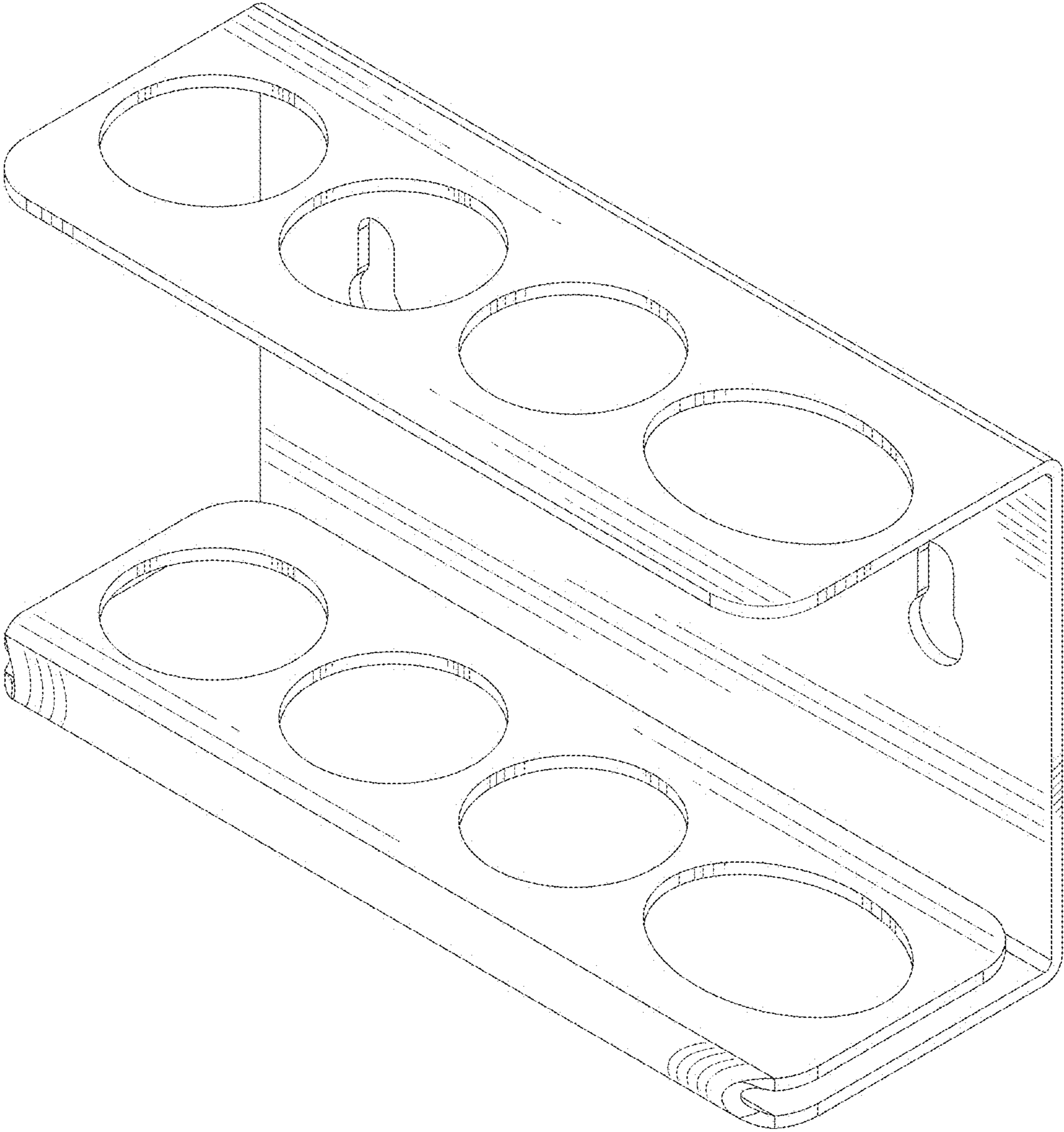


FIG.1

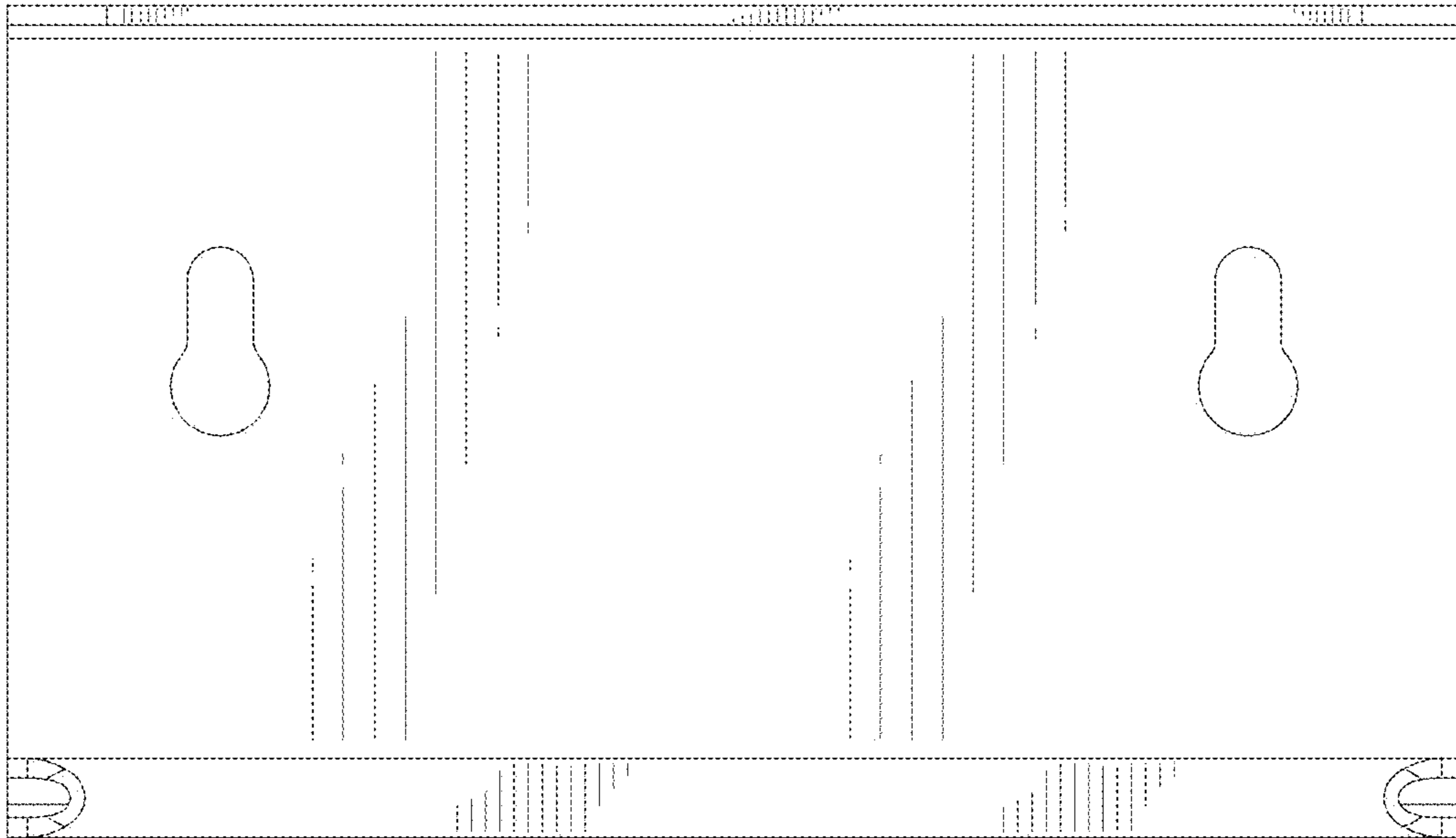


FIG.2

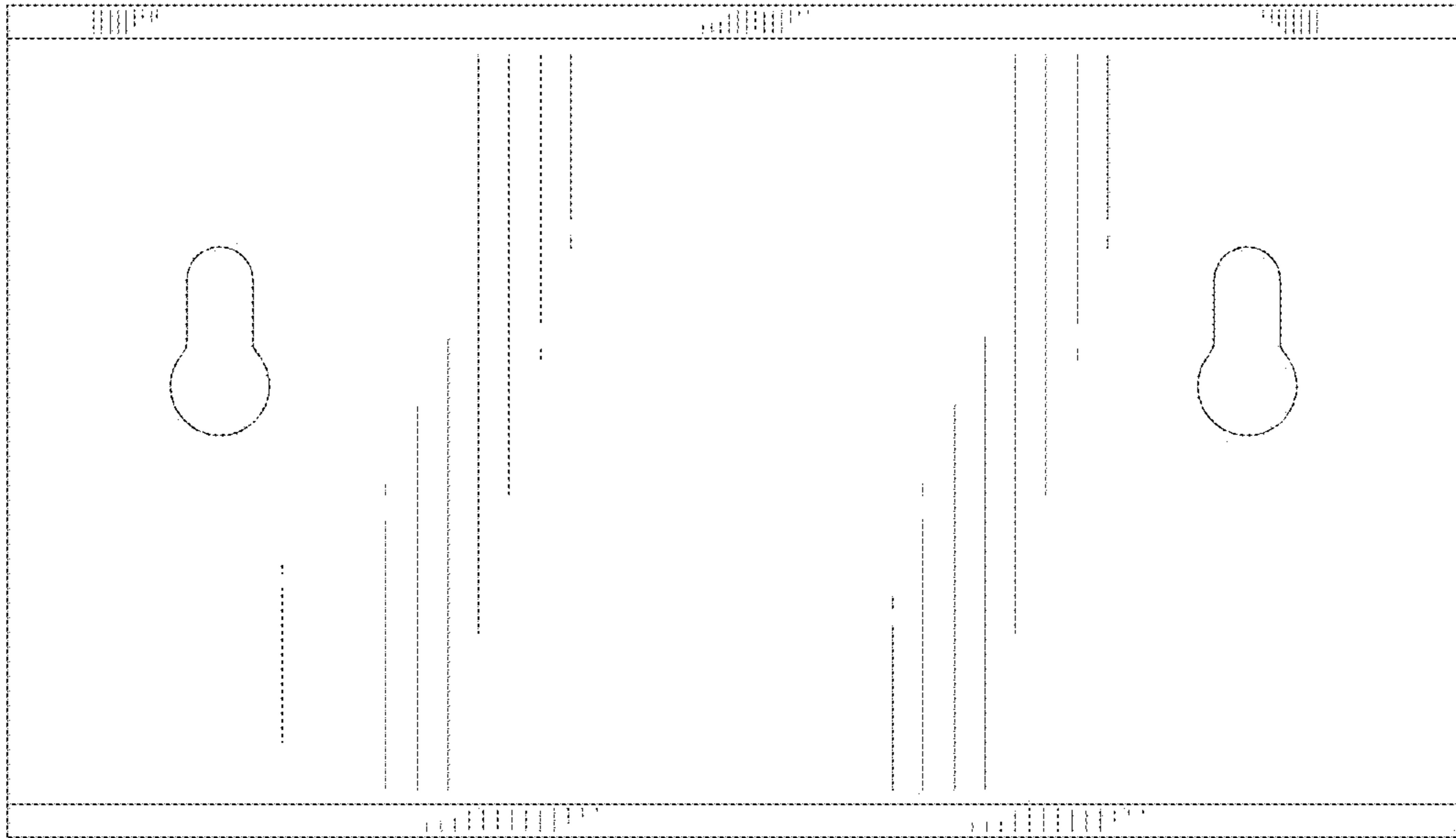


FIG.3



FIG.4

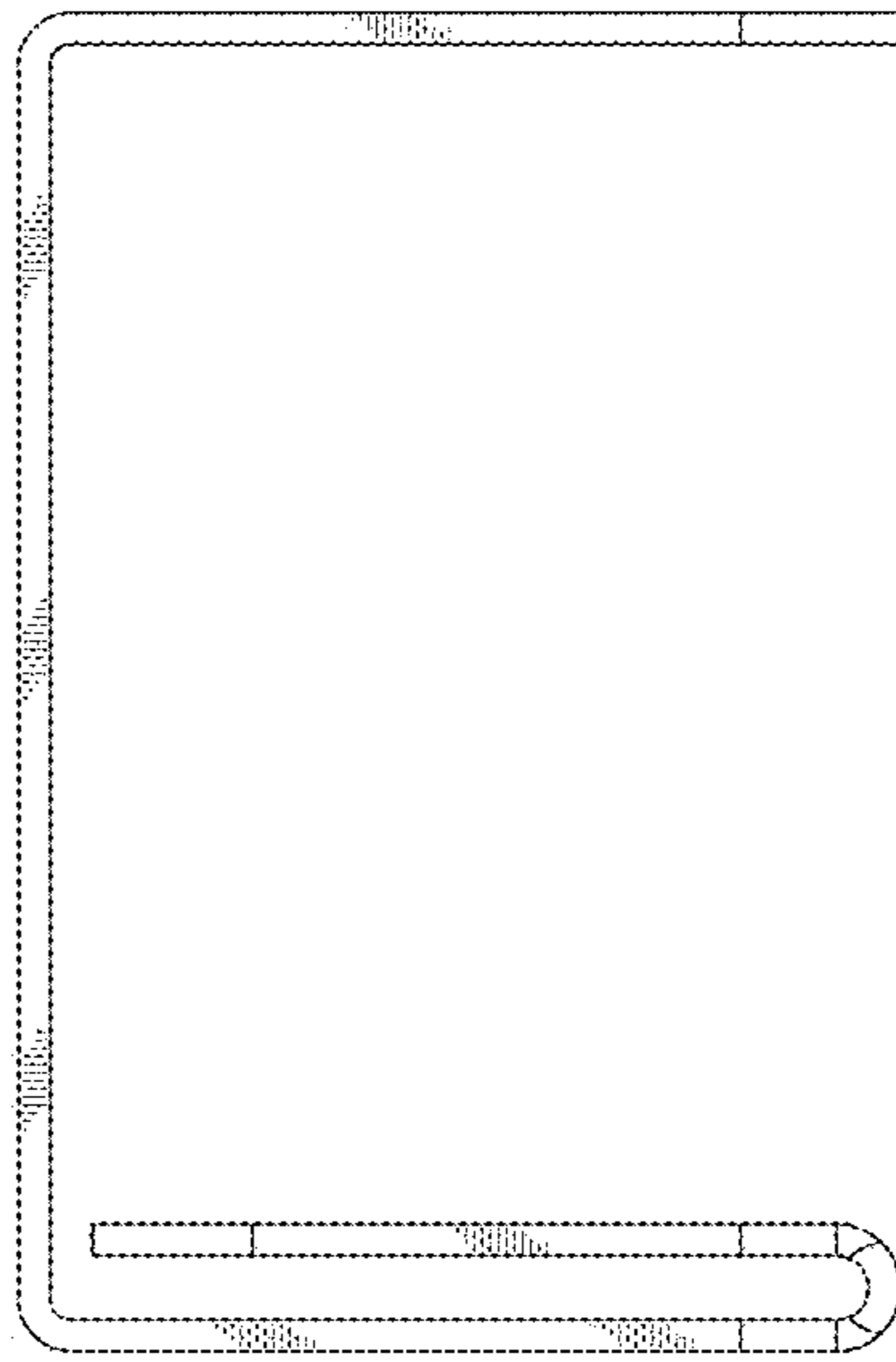


FIG.5

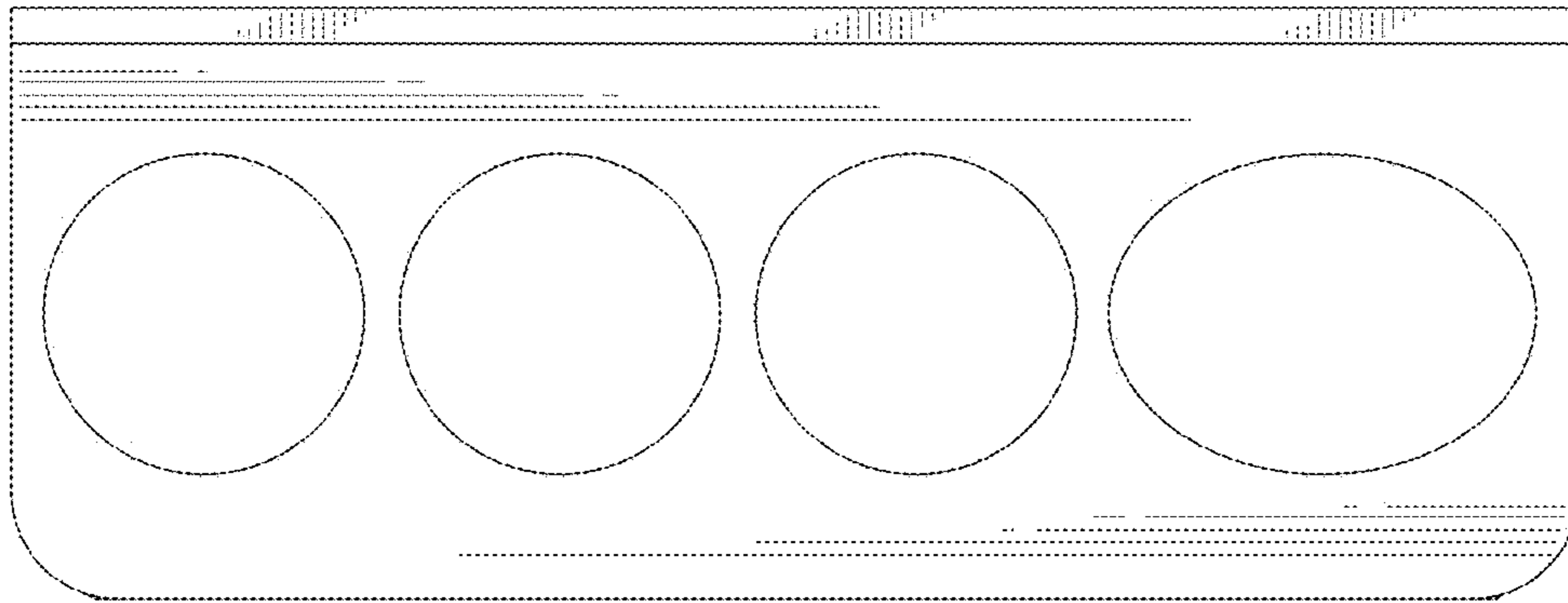


FIG.6

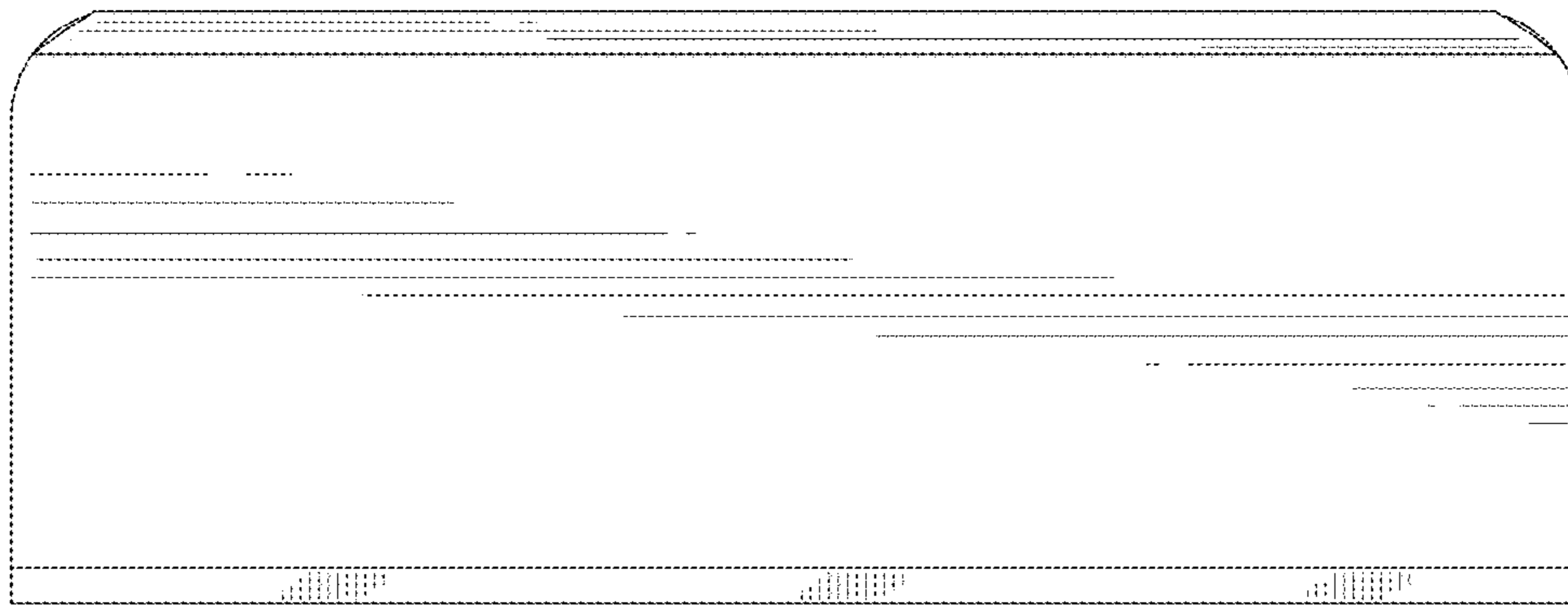


FIG.7