



US00D953057S

(12) **United States Design Patent**
Engesvik et al.

(10) **Patent No.:** **US D953,057 S**
(45) **Date of Patent:** **** May 31, 2022**

(54) **SOFA**

FOREIGN PATENT DOCUMENTS

(71) Applicant: **HAY ApS**, Horsens (DK)

GB 6138475 * 5/2021

(72) Inventors: **Andreas Engesvik**, Oslo (NO); **Daniel Rybakken**, Gothenburg (SE)

OTHER PUBLICATIONS

(73) Assignee: **HAY APS**, Horsens (DK)

Arbour sofa [online], [site visited Mar. 21, 2022]. Available from internet, URL: <<https://andreasengesvik.no/products/arbour-sofa/>> (Year: 2020).*

(**) Term: **15 Years**

Daniel Rybakken on Instagram post [online], [site visited Mar. 21, 2022]. Available from internet, URL: <<https://www.instagram.com/p/CDhLzJjK8J/>> (Year: 2020).*

(21) Appl. No.: **29/754,014**

(22) Filed: **Oct. 6, 2020**

* cited by examiner

(30) **Foreign Application Priority Data**

Jun. 24, 2020 (EM) 008020176-0002

(51) **LOC (13) Cl.** **06-01**

(52) **U.S. Cl.**
USPC **D6/381**

(58) **Field of Classification Search**
USPC D6/334-337, 349, 369, 374, 375, 377,
D6/381

CPC A47C 17/00; A47C 17/02; A47C 17/86
See application file for complete search history.

Primary Examiner — Cynthia Ramirez

Assistant Examiner — Xavier Marti-Santos

(74) *Attorney, Agent, or Firm* — Cantor Colburn LLP

(57) **CLAIM**

We claim, the ornamental design for a sofa, as shown and described.

DESCRIPTION

FIG. 1 is a perspective view of a sofa, showing our new design;

FIG. 2 is a front view thereof;

FIG. 3 is a rear view thereof;

FIG. 4 is a side view thereof, the opposite side being a mirror image; and,

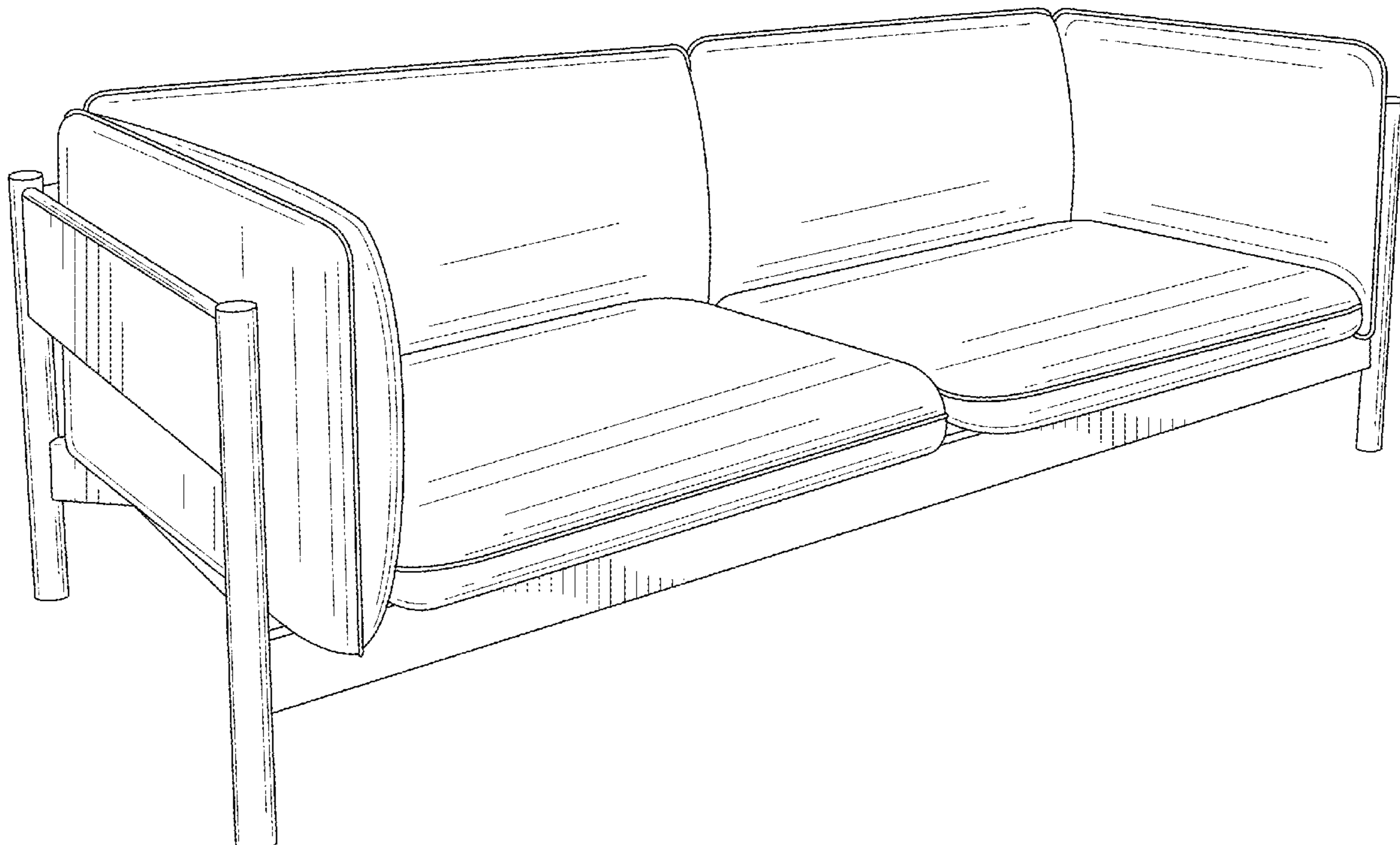
FIG. 5 is a top view thereof.

(56) **References Cited**

U.S. PATENT DOCUMENTS

D238,728 S *	2/1976	Nash	D6/381
D601,824 S *	10/2009	Dordoni	D6/381
D680,348 S *	4/2013	Lade	D6/381
D681,362 S *	5/2013	Citterio	D6/381
D694,546 S *	12/2013	George	D6/381
D889,877 S *	7/2020	Hale	D6/381

1 Claim, 5 Drawing Sheets



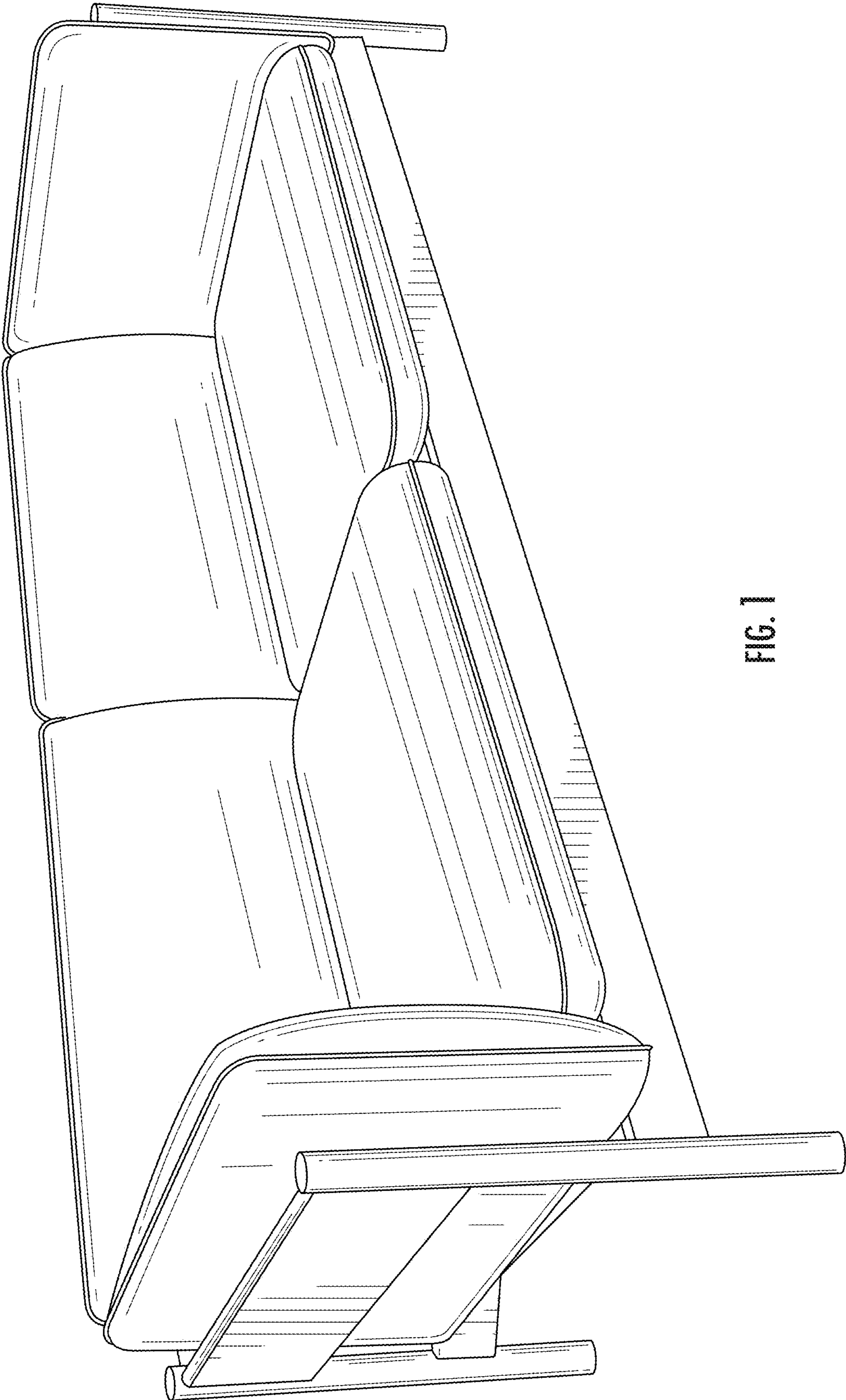


FIG. 1

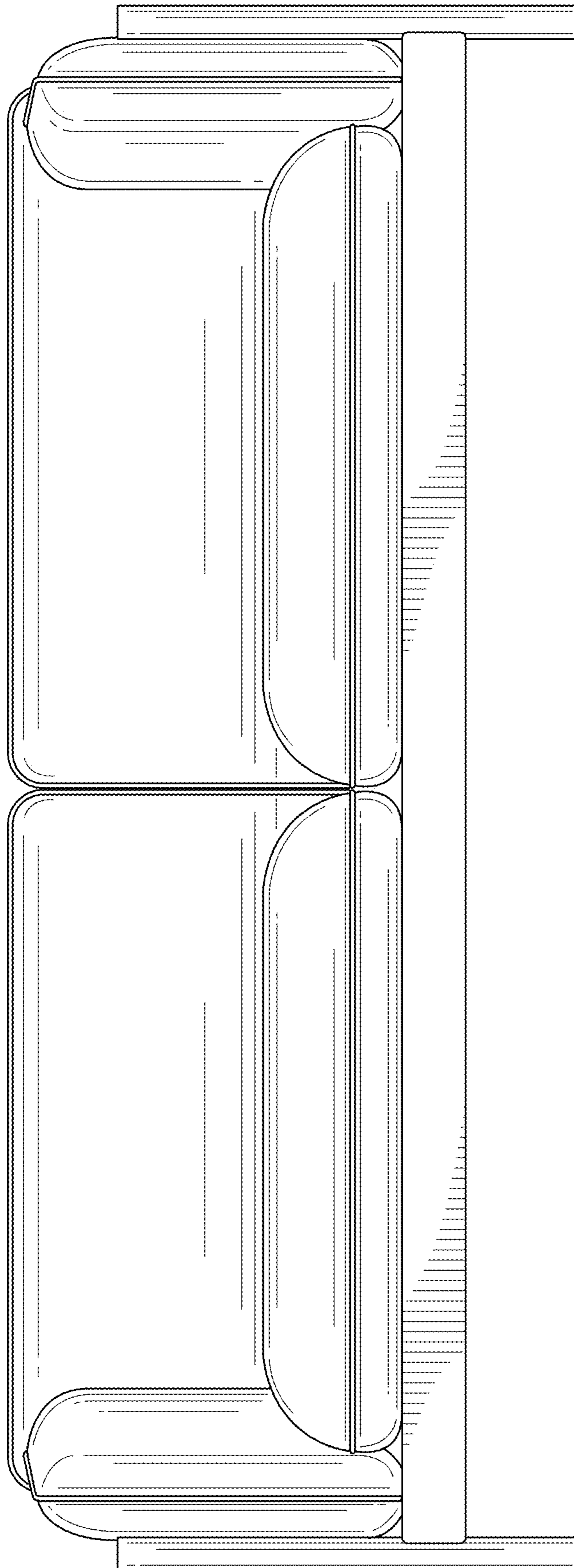


FIG. 2

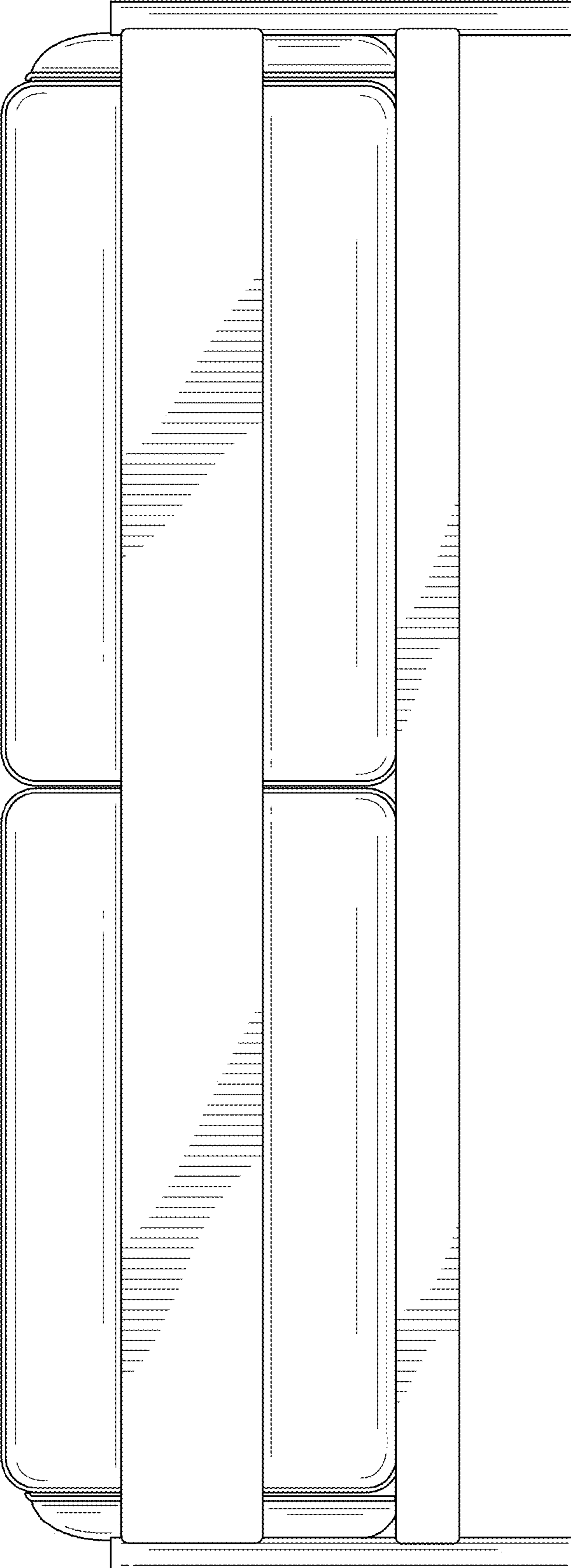


FIG. 3

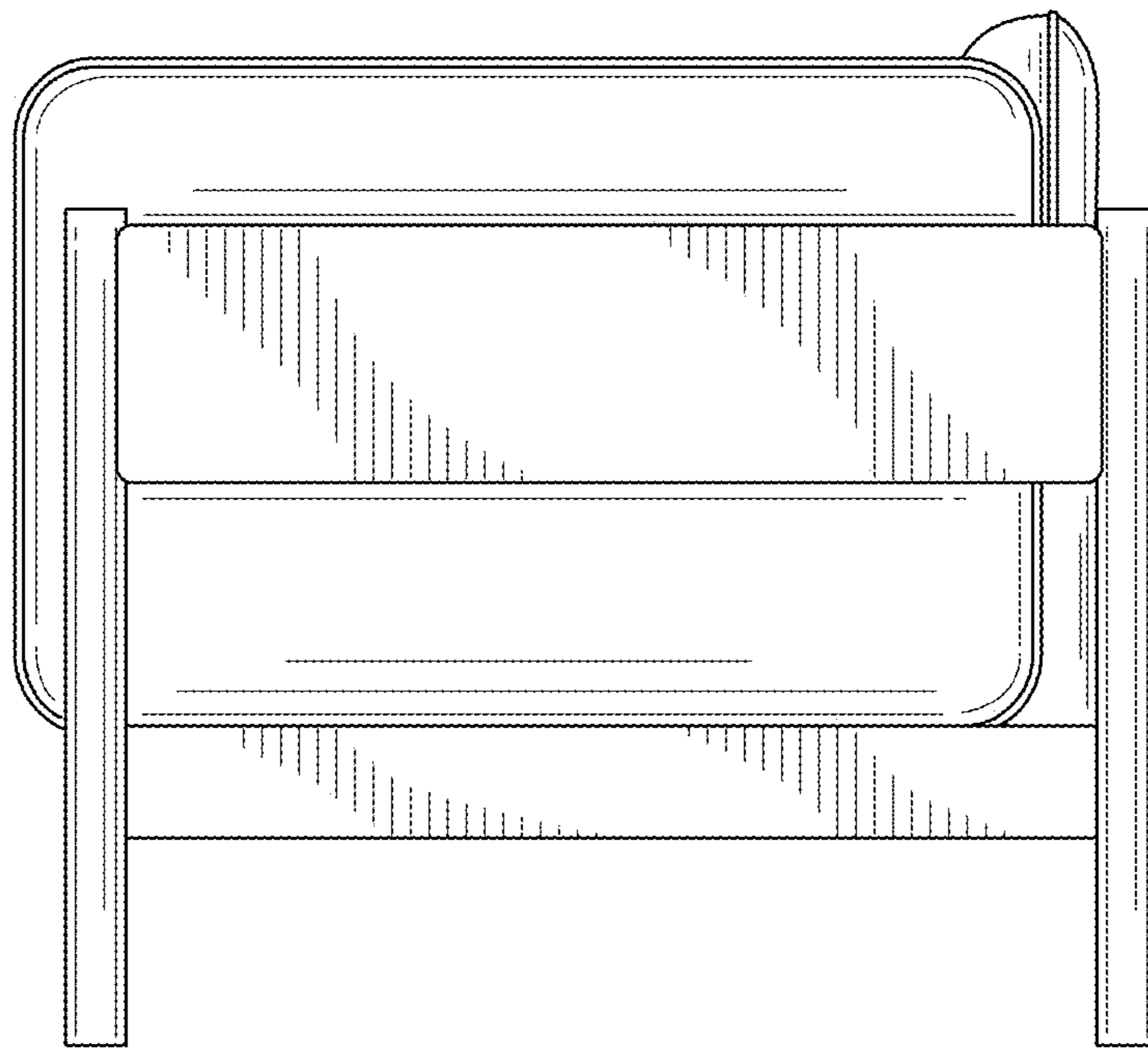


FIG. 4

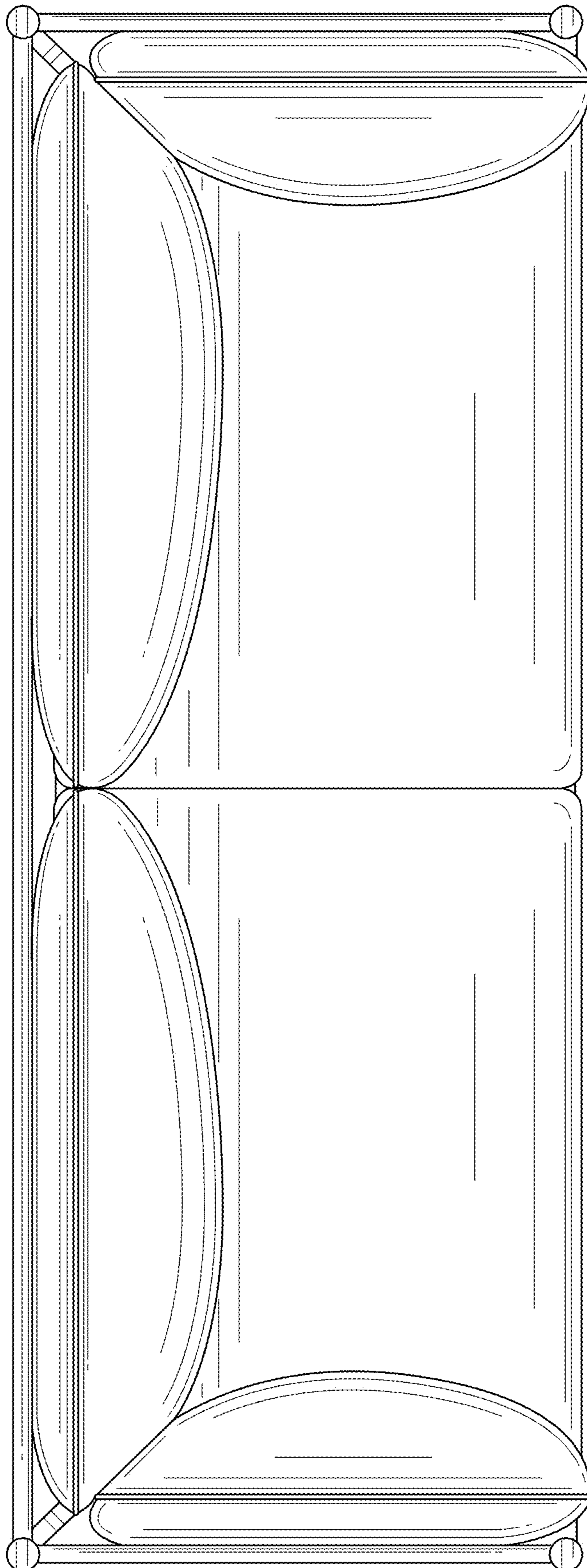


FIG. 5