



US00D953053S

(12) **United States Design Patent**
Gori

(10) **Patent No.:** **US D953,053 S**

(45) **Date of Patent:** **** May 31, 2022**

(54) **CHAIR**

(71) Applicant: **Beaufurn, LLC**, Advance, NC (US)

(72) Inventor: **Cristian Gori**, Colle di Val d' Elsa (IT)

(73) Assignee: **Beaufurn, LLC**, Advance, NC (US)

(**) Term: **15 Years**

(21) Appl. No.: **29/811,882**

(22) Filed: **Oct. 18, 2021**

Related U.S. Application Data

(63) Continuation of application No. 29/733,174, filed on Apr. 30, 2020, now Pat. No. Des. 936,989.

(51) **LOC (13) Cl.** **06-01**

(52) **U.S. Cl.**
USPC **D6/373**

(58) **Field of Classification Search**
USPC D6/334, 366, 367, 372, 373, 374, 379,
D6/380, 716.1, 716.4
CPC A47C 1/02; A47C 1/022; A47C 1/024;
A47C 3/12; A47C 3/18; A47C 3/026;
A47C 7/18; A47C 7/36; A47C 7/40;
A47C 7/46

See application file for complete search history.

(56) **References Cited**

U.S. PATENT DOCUMENTS

D180,138 S 4/1957 Futorian
D232,879 S 9/1974 Samhammer
D549,971 S * 9/2007 Jourdan D6/344
D579,224 S * 10/2008 Fancelli D6/372
D585,206 S * 1/2009 Mourgue D6/373

D587,911 S * 3/2009 Pearson D6/334
D660,054 S 5/2012 Kane
D730,074 S * 5/2015 Lievore D6/373
D766,640 S * 9/2016 Kubryk D6/716
D811,757 S * 3/2018 Moscheri D6/334
D828,063 S 9/2018 Yuglich
D871,788 S 1/2020 Gori
D885,073 S 5/2020 Wang
D886,484 S 6/2020 Li
D899,121 S 10/2020 Yang
D905,990 S 12/2020 Li
D907,933 S 1/2021 Li
D911,729 S 3/2021 Kubryk
D912,427 S 3/2021 Li
D913,006 S * 3/2021 Li D6/375
D921,385 S * 6/2021 Li D6/366
D921,386 S * 6/2021 Li D6/366
D936,989 S * 11/2021 Gori D6/373

* cited by examiner

Primary Examiner — R. Johnson

(74) *Attorney, Agent, or Firm* — MacCord Mason PLLC

(57) **CLAIM**

The ornamental design for a chair, as shown and described.

DESCRIPTION

FIG. 1 is a front perspective view of a chair, showing my new design;

FIG. 2 is a front elevation view thereof;

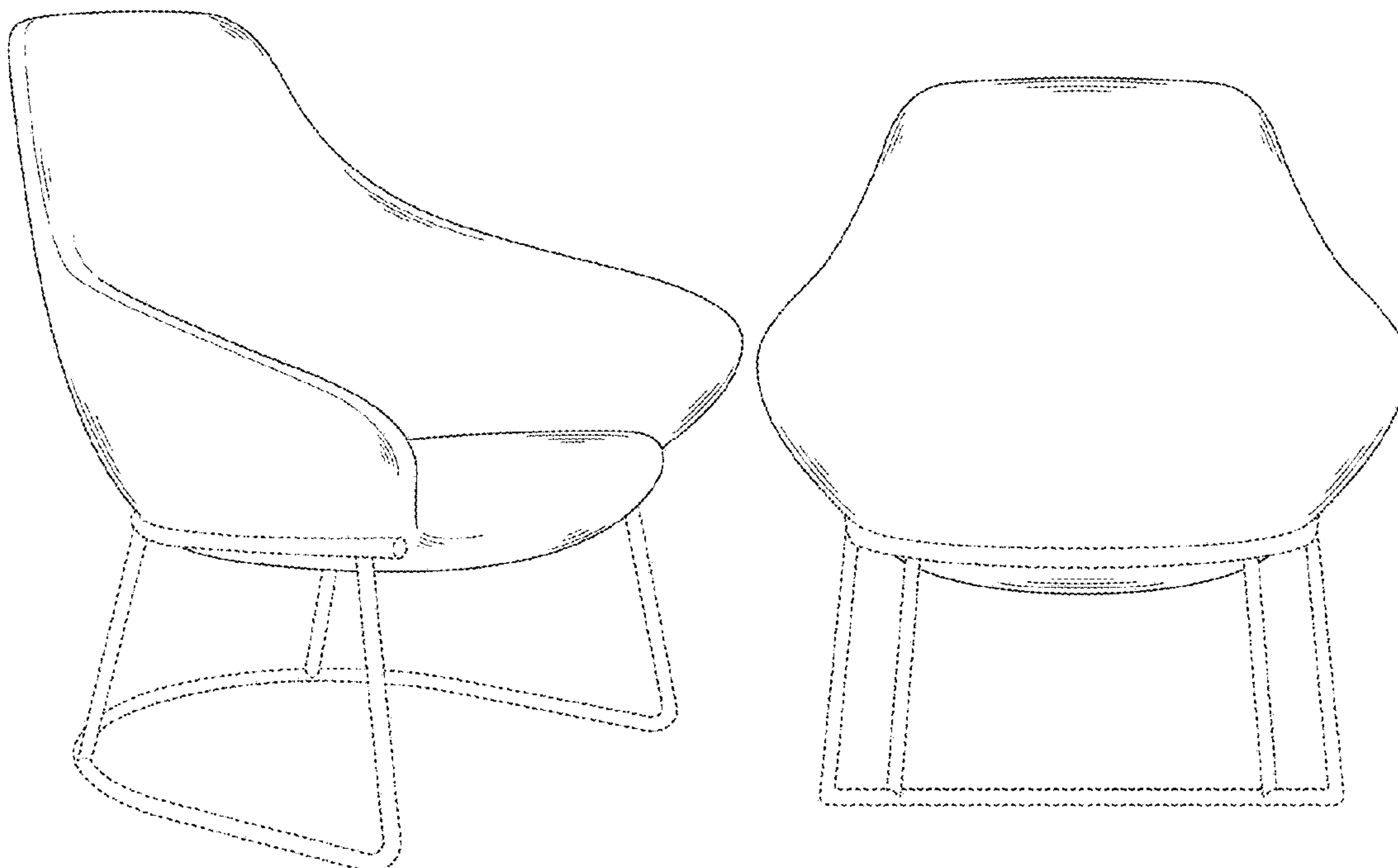
FIG. 3 is a right side elevation view thereof, the opposite side elevation view being a mirror image thereof;

FIG. 4 is a rear elevation view thereof; and,

FIG. 5 is a top plan view thereof.

The broken lines illustrating the base of a chair depict environment and form no part of the claimed design.

1 Claim, 5 Drawing Sheets



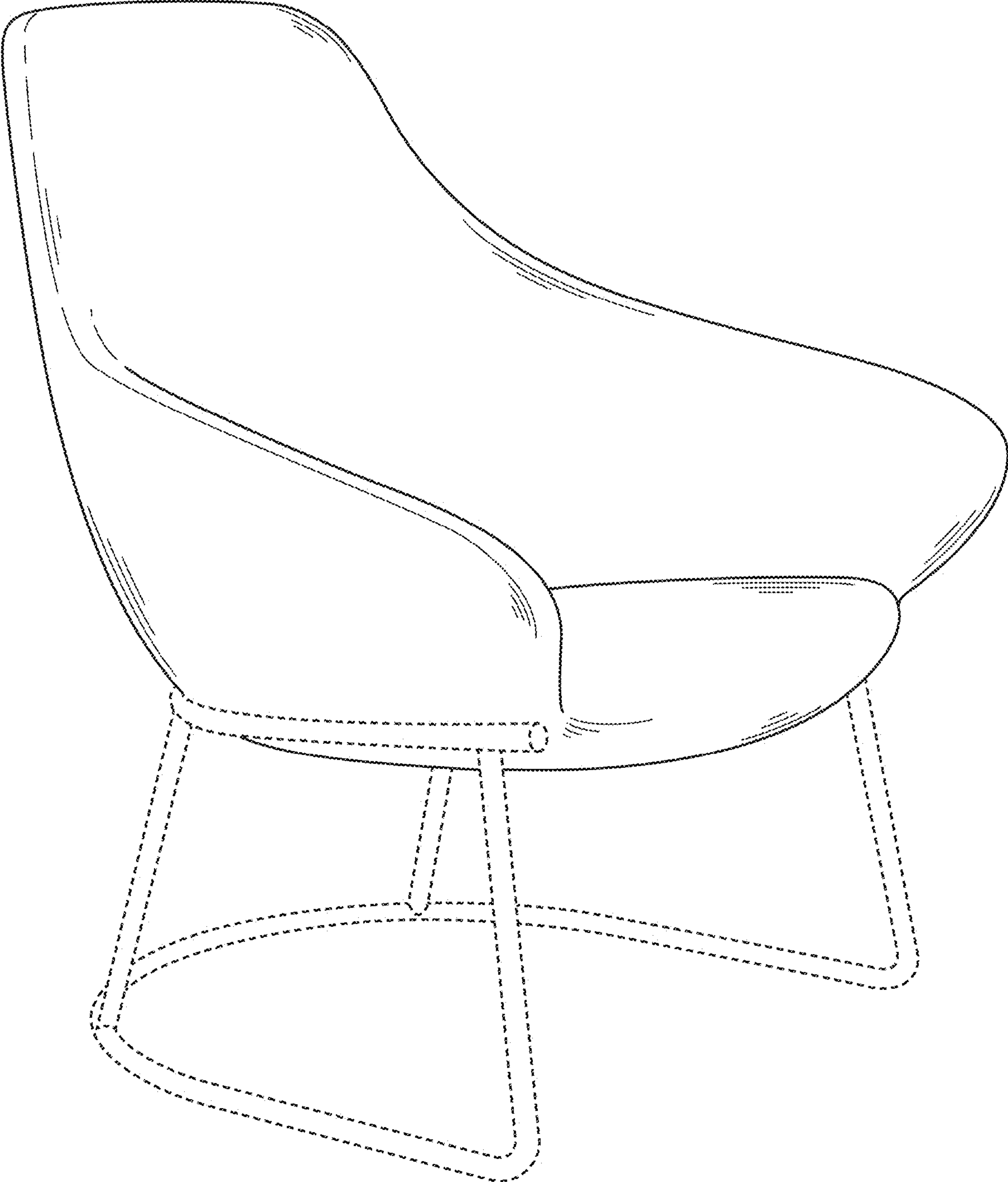


FIG. 1

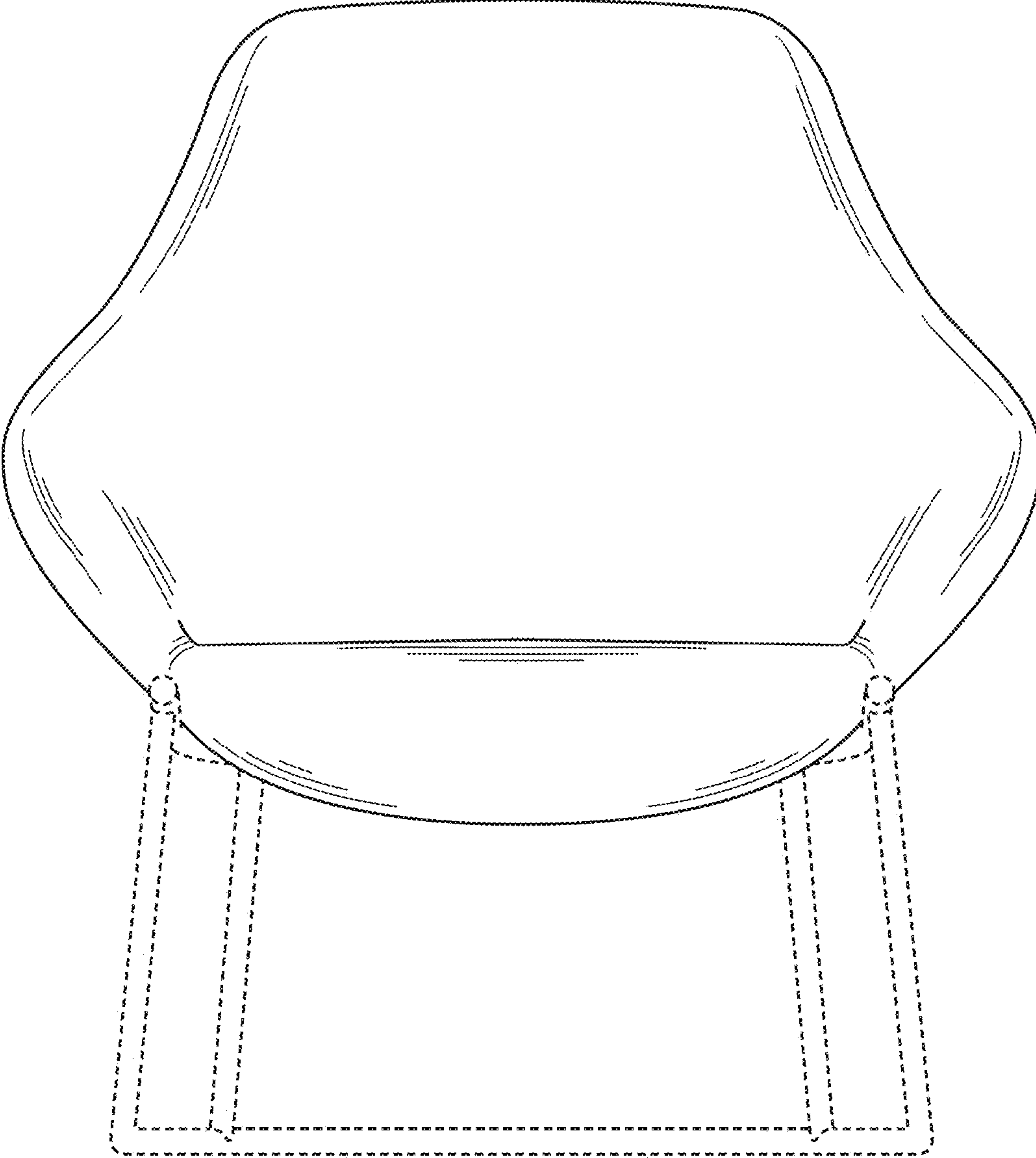


FIG. 2

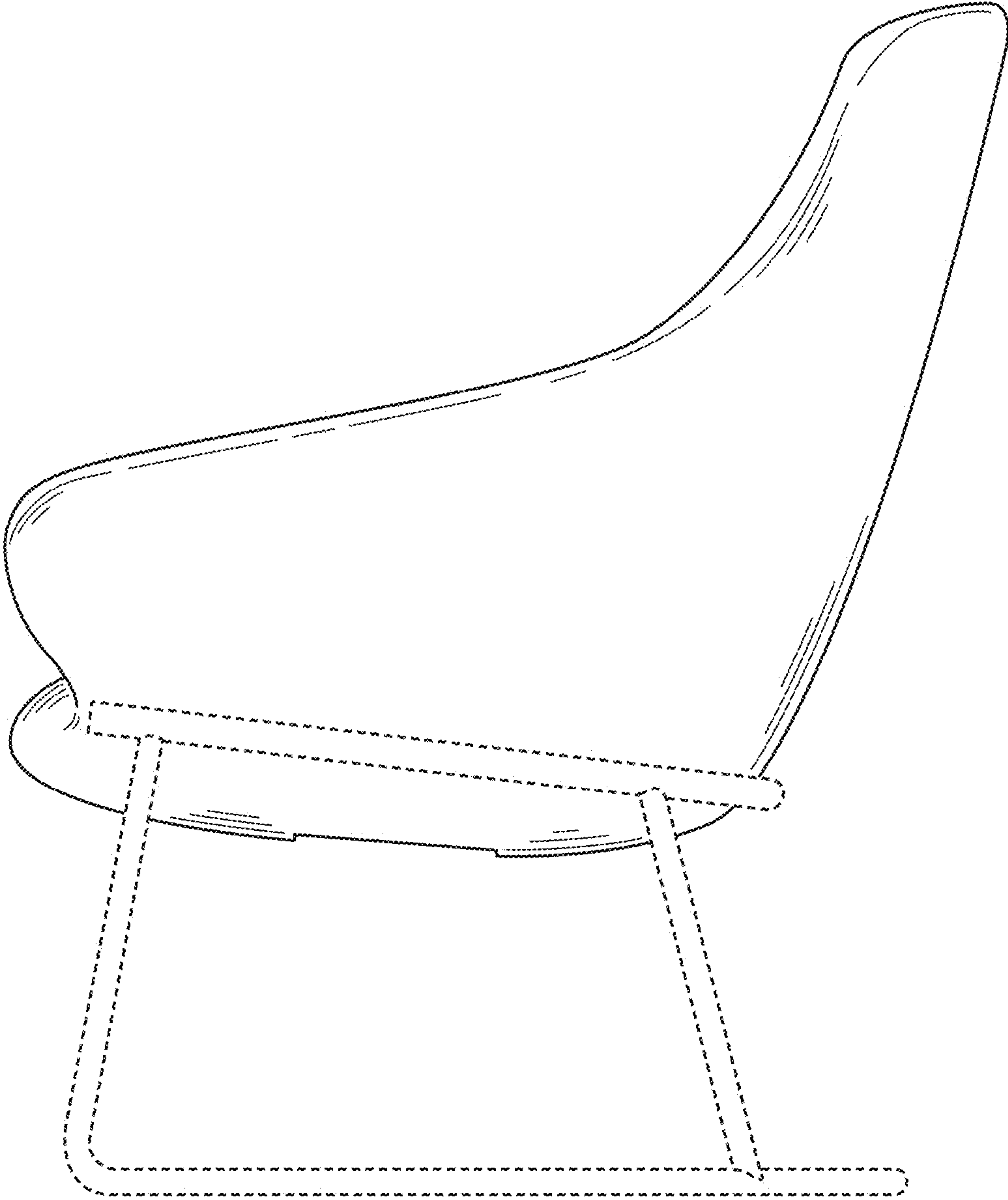


FIG. 3

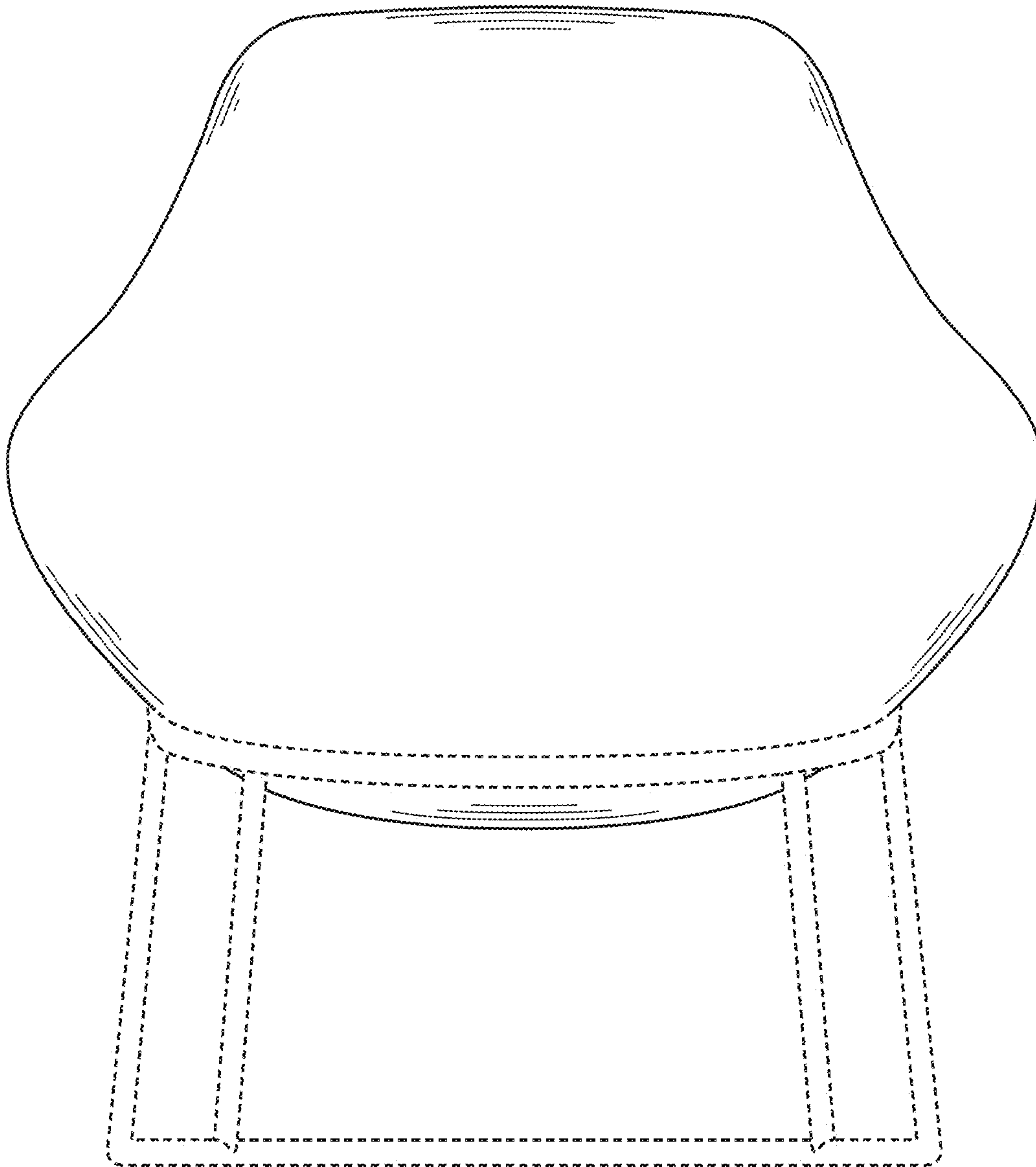


FIG. 4

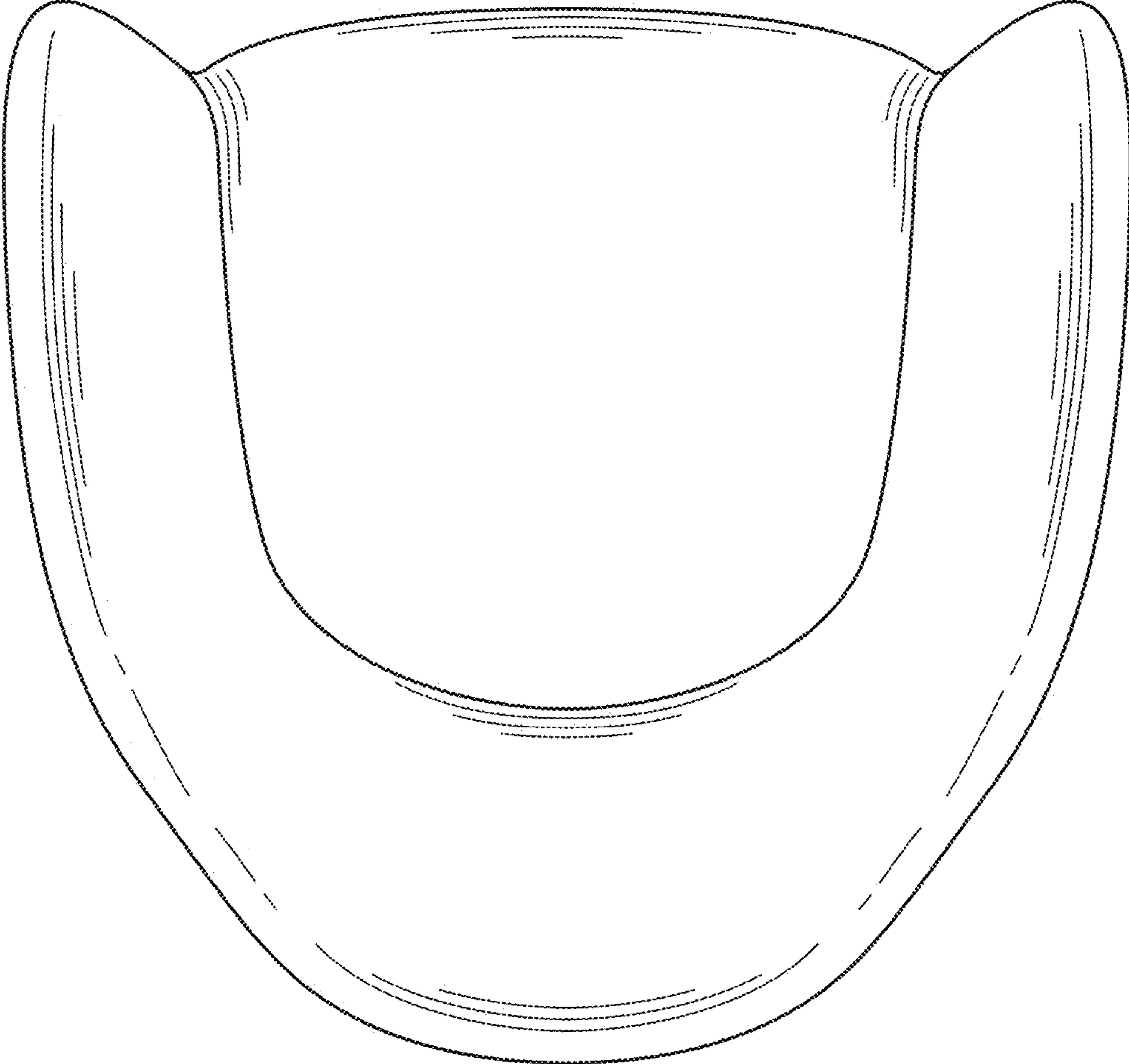


FIG. 5