



US00D953052S

(12) **United States Design Patent** (10) **Patent No.:** **US D953,052 S**
Wu (45) **Date of Patent:** **** May 31, 2022**

(54) **GAMING CHAIR**

(71) Applicant: **Wudi Industrial (Shanghai) Co., Ltd.**,
Shanghai (CN)

(72) Inventor: **Peng Wu**, Shanghai (CN)

(73) Assignee: **WUDI INDUSTRIAL (SHANGHAI)
CO., LTD.**, Shanghai (CN)

(**) Term: **15 Years**

(21) Appl. No.: **29/777,121**

(22) Filed: **Apr. 2, 2021**

(51) **LOC (13) Cl.** **06-01**

(52) **U.S. Cl.**
USPC **D6/366**

(58) **Field of Classification Search**

USPC D6/356, 364, 365, 366, 367, 379, 716,
D6/716.4, 716.7, 360, 380; D21/521, 695
CPC A47C 1/03294; A47C 1/034; A47C 1/032;
A47C 1/031; A47C 1/023; A47C 3/029;
A47C 3/027; A47C 3/04; A47C 3/02;
A47C 3/12; A47C 4/03; A47C 4/04;
A47C 5/12; A47C 7/029; A47C 7/02;
A47C 7/18; A47C 7/28; A47C 7/32;
A47C 7/38; A47C 7/40; A47C 7/44;
A47C 7/46; A47C 7/54; A47C 7/425;
A47C 7/445; A47C 31/023; A47C 31/04;
B60R 2/0284; B60R 2/062; B60R 22/001;
B60R 22/24; B60R 22/28; B60R 22/58;
B60R 22/64; B60R 22/68; B60R 22/80;
B60R 22/99; B60R 22/245; B60R 22/643;
B60R 22/646; B60R 22/665; B60R
22/686; B60R 22/688; B60R 22/803;
B60R 22/986; B60R 22/914; B60R
22/995; F16B 2/08; F16B 45/00; Y10S
297/01; A47D 13/10

See application file for complete search history.

(56) **References Cited**

U.S. PATENT DOCUMENTS

D700,449 S	3/2014	Romane	
D811,793 S *	3/2018	Palma	D6/716
D847,526 S *	5/2019	Wang	D6/366
D854,846 S *	7/2019	Shen	D6/366
D856,698 S *	8/2019	Shen	D6/366
D878,785 S *	3/2020	Qi	D6/366
D905,993 S *	12/2020	Wu	D6/366
D911,055 S *	2/2021	Wang	D6/366
D933,984 S *	10/2021	Wu	D6/366
D935,821 S *	11/2021	Wang	D6/716

* cited by examiner

Primary Examiner — Kevin K Rudzinski

Assistant Examiner — Paul D Bohannon

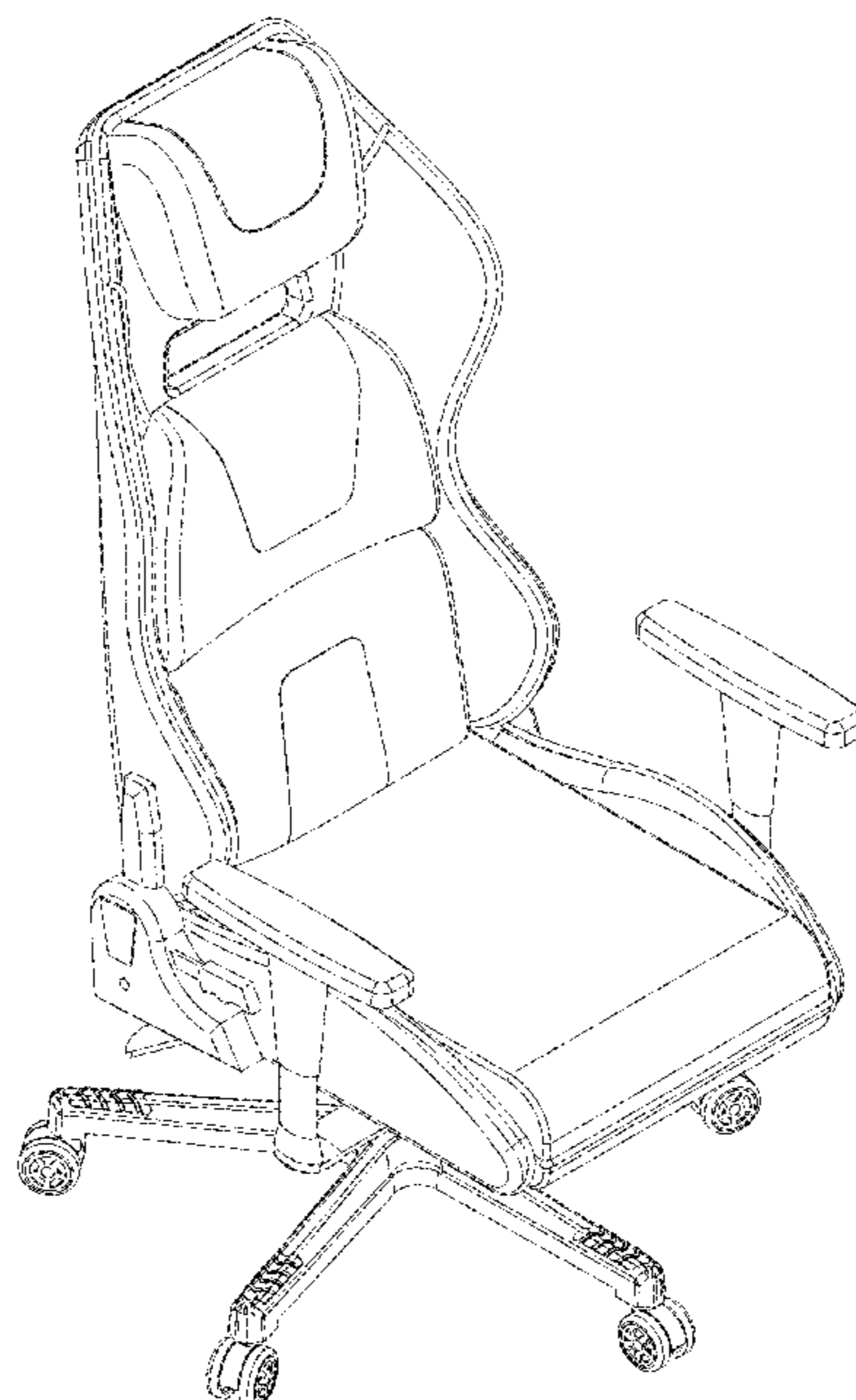
(57) **CLAIM**

The ornamental design for a gaming chair, as shown and described.

DESCRIPTION

FIG. 1 is a front elevational view a gaming chair showing our new design;
FIG. 2 is a left side elevational view of thereof;
FIG. 3 is a rear elevational view thereof;
FIG. 4 is a right side elevational view thereof;
FIG. 5 is a top plan view thereof;
FIG. 6 is a bottom plan view thereof;
FIG. 7 is a left perspective view thereof; and,
FIG. 8 is a right perspective view thereof.
The broken lines shown in the drawings are for the purpose of illustrating portions of the article and form no part of the claimed design.

1 Claim, 8 Drawing Sheets



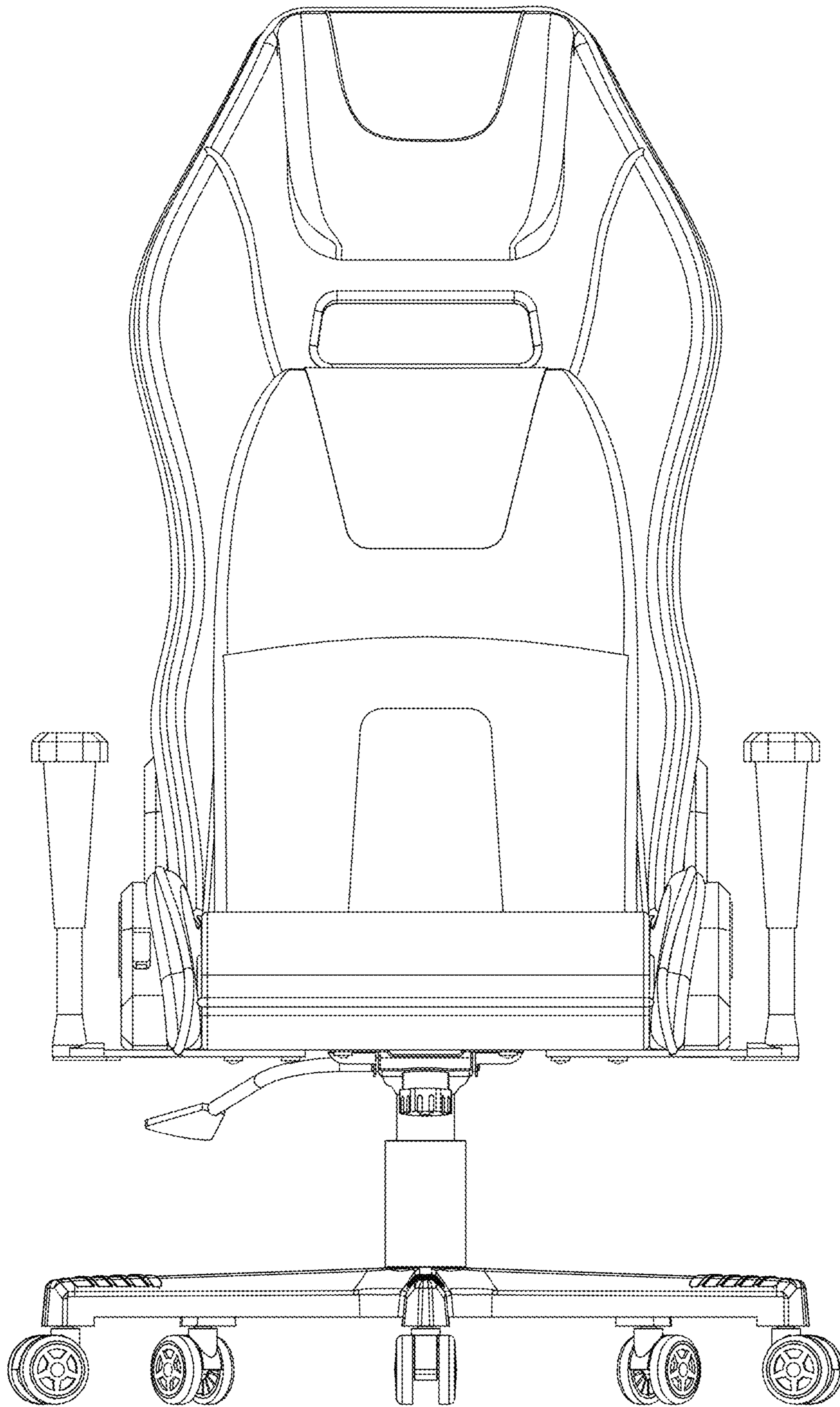


FIG. 1

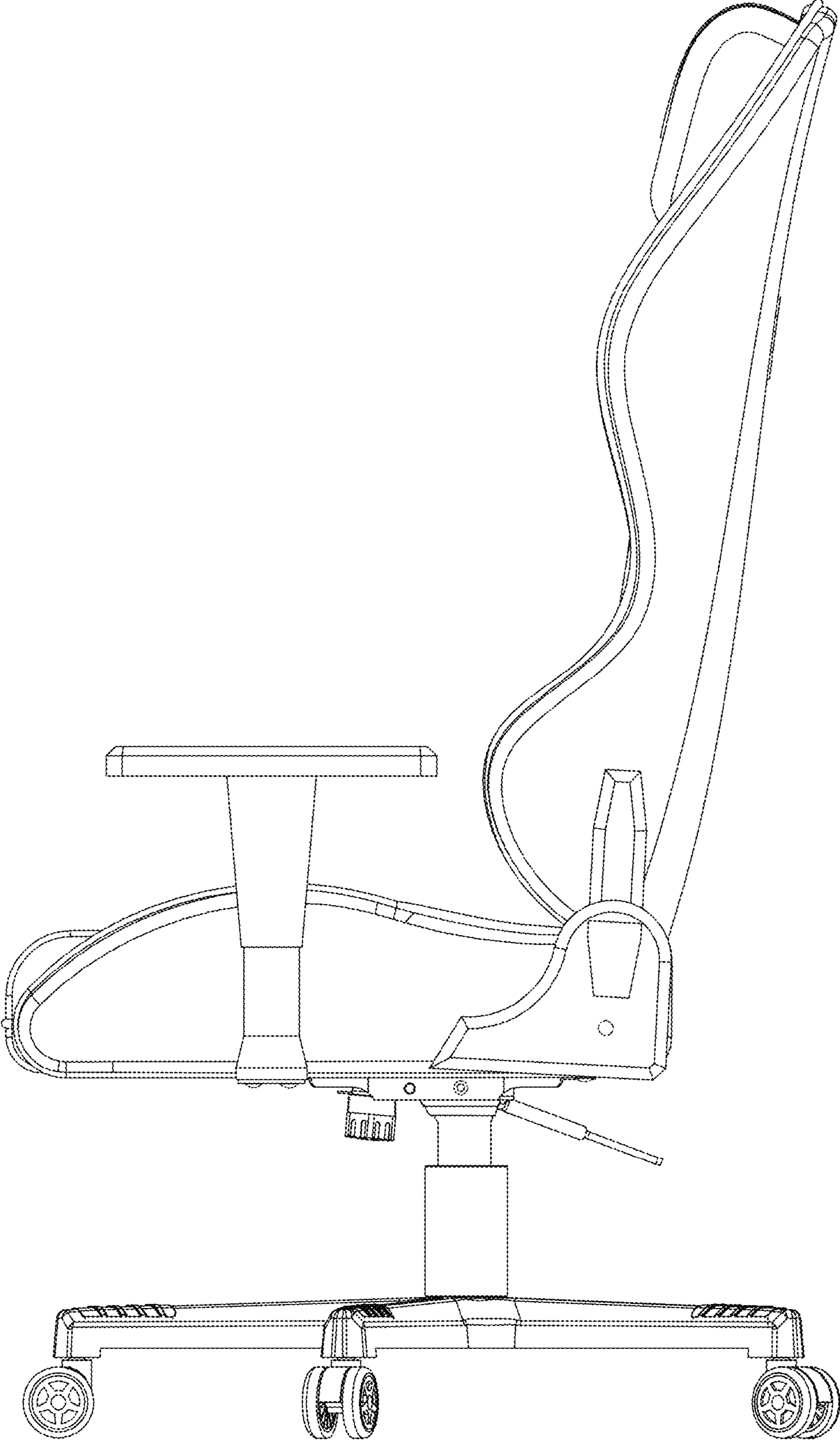


FIG. 2

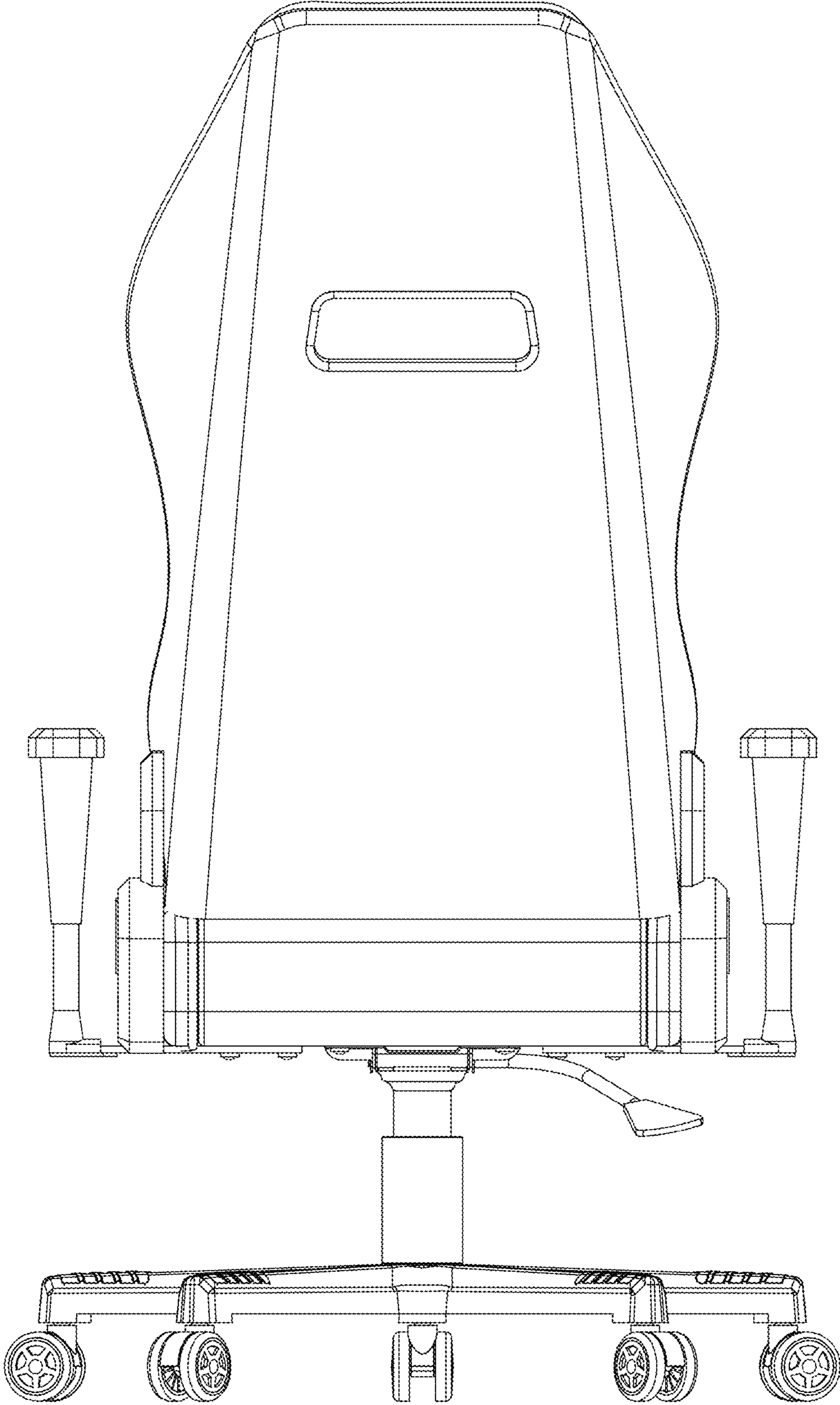


FIG.3

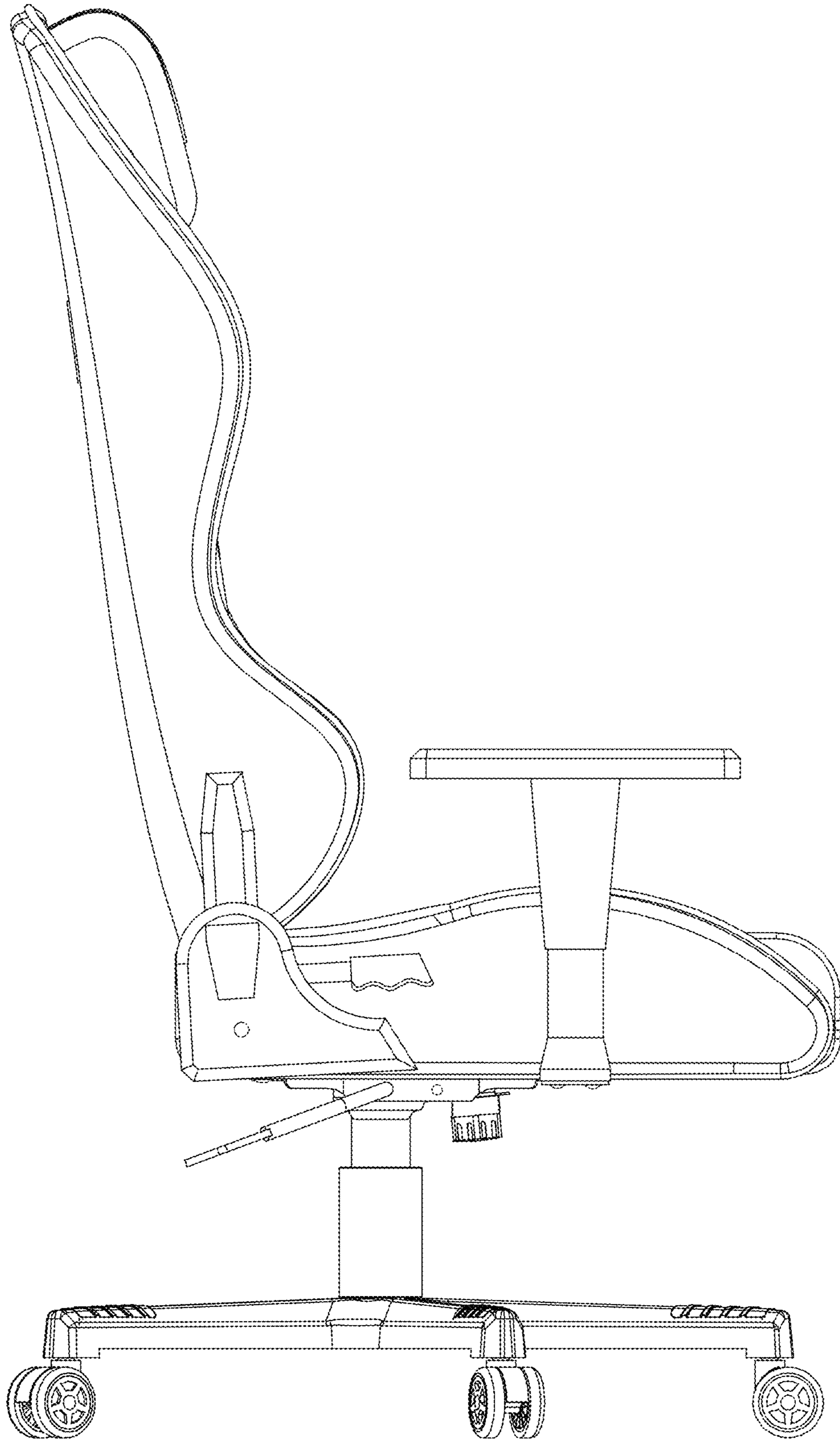


FIG. 4

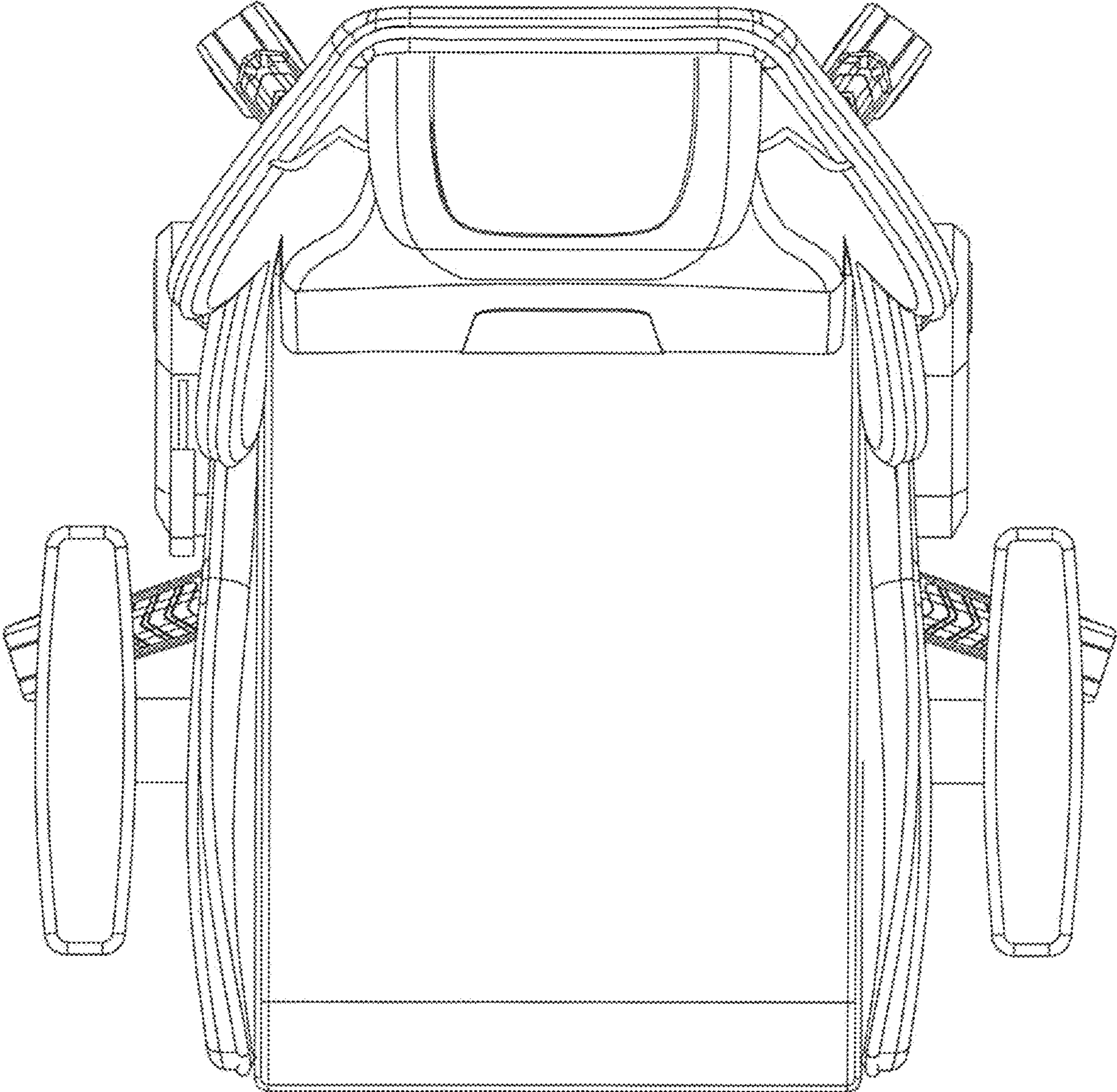


FIG. 5

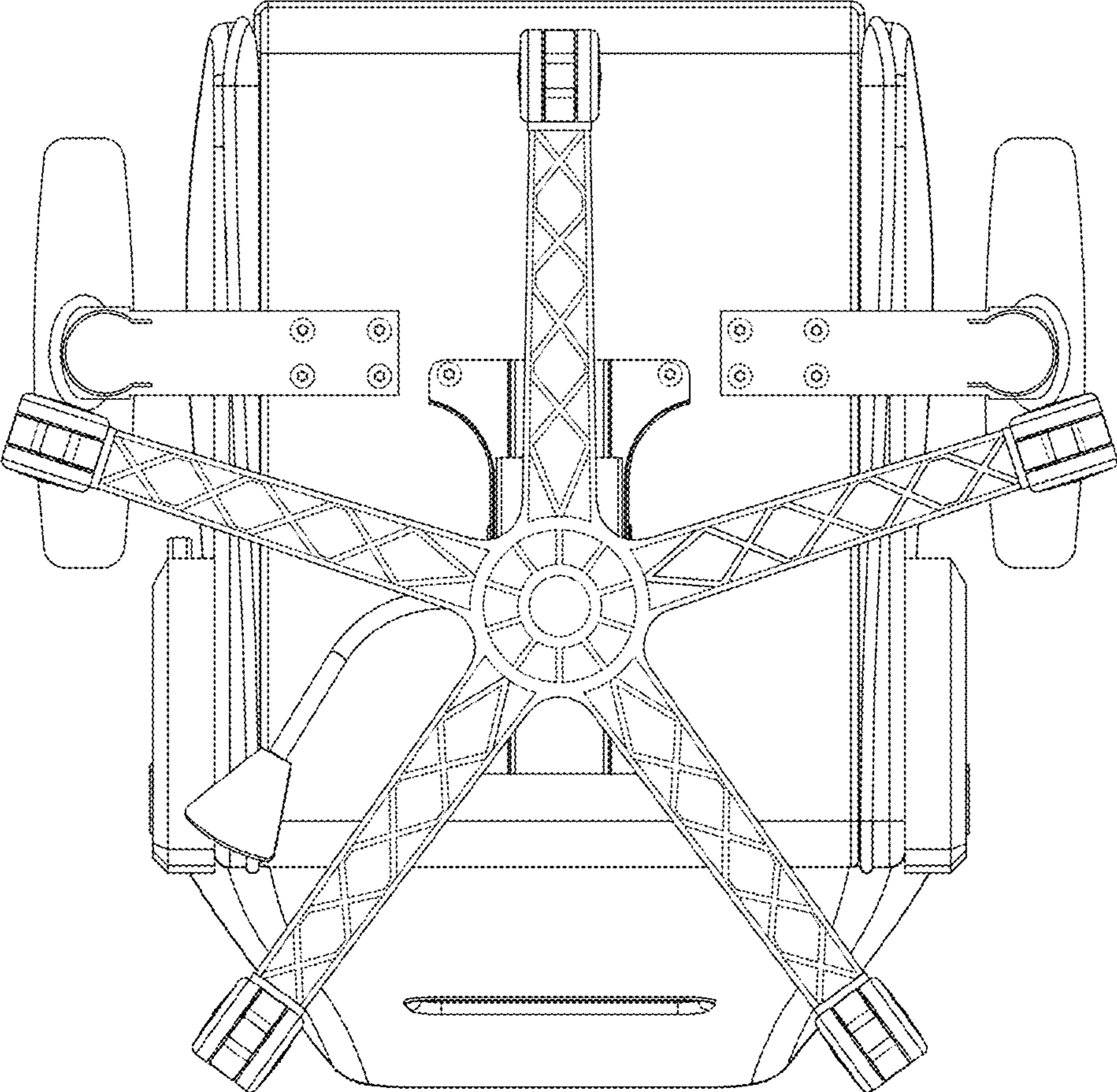


FIG. 6



FIG. 7



FIG. 8