



US00D953051S

(12) **United States Design Patent** (10) **Patent No.:** **US D953,051 S**
Lei (45) **Date of Patent:** **** May 31, 2022**

(54) **CHAIR**

(71) Applicant: **Anji Rongtai Furniture Factory**, Anji (CN)

(72) Inventor: **Shurong Lei**, Huzhou (CN)

(73) Assignee: **Anji Rongtai Furniture Factory**, Zhejiang (CN)

(**) Term: **15 Years**

(21) Appl. No.: **29/755,526**

(22) Filed: **Oct. 21, 2020**

(30) **Foreign Application Priority Data**

Jul. 16, 2020 (CN) 202030386892.X

(51) **LOC (13) Cl.** **06-01**

(52) **U.S. Cl.**
USPC **D6/366**

(58) **Field of Classification Search**

USPC D6/356, 364, 365, 366, 367, 379, 716, D6/716.4, 716.7, 360, 380; D21/521, 695

CPC A47C 1/03294; A47C 1/034; A47C 1/032; A47C 1/031; A47C 1/023; A47C 3/029; A47C 3/027; A47C 3/04; A47C 3/02; A47C 3/12; A47C 4/03; A47C 4/04; A47C 5/12; A47C 7/029; A47C 7/02; A47C 7/18; A47C 7/28; A47C 7/32; A47C 7/38; A47C 7/40; A47C 7/44; A47C 7/46; A47C 7/54; A47C 7/425; A47C 7/445; A47C 31/023; A47C 31/04; B60R 2/0284; B60R 2/062; B60R 22/001; B60R 22/24; B60R 22/28; B60R 22/58; B60R 22/64; B60R 22/68; B60R 22/80; B60R 22/99; B60R 22/245; B60R 22/643; B60R 22/646; B60R 22/665; B60R 22/686; B60R 22/688; B60R 22/803; B60R 22/986; B60R 22/914; B60R 22/995; F16B 2/08; F16B 45/00; Y10S 297/01; A47D 13/10

See application file for complete search history.

(56) **References Cited**

U.S. PATENT DOCUMENTS

4,840,426 A * 6/1989 Vogtherr A47C 1/03266
297/300.5
D667,232 S * 9/2012 Yang D6/366
D695,537 S * 12/2013 Geelen D6/366
D702,977 S * 4/2014 Bonneywell D6/716
D718,949 S * 12/2014 Meda D6/366
D824,710 S * 8/2018 Geelen D6/716
D837,553 S * 1/2019 Meda D6/366
D881,621 S * 4/2020 Jin D6/716.1
D900,496 S * 11/2020 Shen D6/366

(Continued)

FOREIGN PATENT DOCUMENTS

CN 304268801 S 9/2017
CN 305463212 S 11/2019
CN 306063047 S 9/2020

Primary Examiner — Kevin K Rudzinski

Assistant Examiner — Paul D Bohannon

(74) *Attorney, Agent, or Firm* — Olive Law Group, PLLC

(57) **CLAIM**

The ornamental design for a chair, as shown and described.

DESCRIPTION

FIG. 1 is a front facing perspective view of a chair;

FIG. 2 is a front view thereof;

FIG. 3 is a rear view thereof;

FIG. 4 is a right side view thereof;

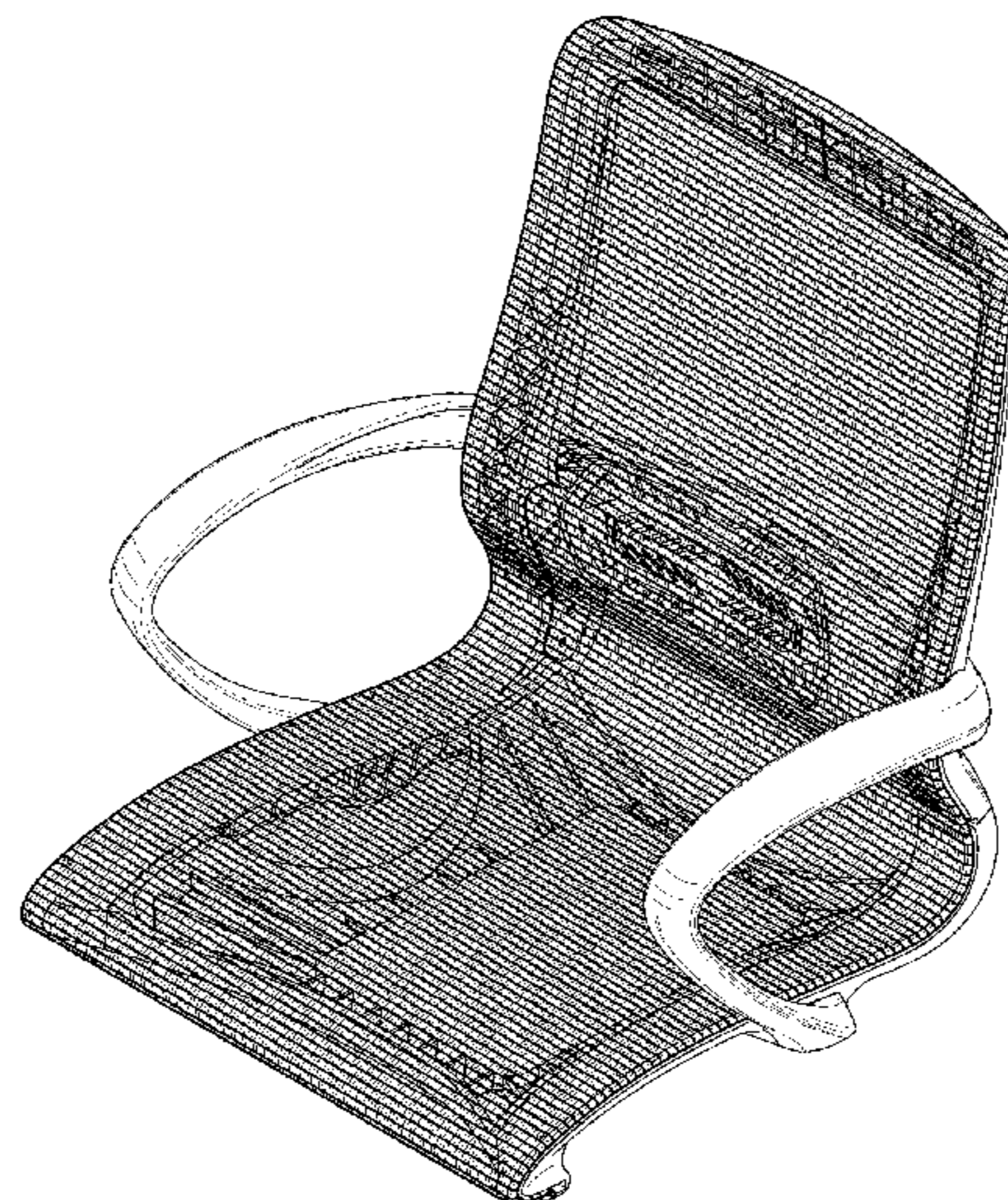
FIG. 5 is a left side view thereof;

FIG. 6 is a top view thereof; and,

FIG. 7 is a bottom view thereof.

The broken lines shown in the drawings are for the purpose of illustrating portions of the article and form no part of the claimed design.

1 Claim, 7 Drawing Sheets



(56)

References Cited

U.S. PATENT DOCUMENTS

D904,059 S * 12/2020 Tong D6/366
D909,084 S * 2/2021 Dai D6/366
D937,594 S * 12/2021 Tu D6/366
2021/0212468 A1* 7/2021 Ben A47C 3/0252

* cited by examiner

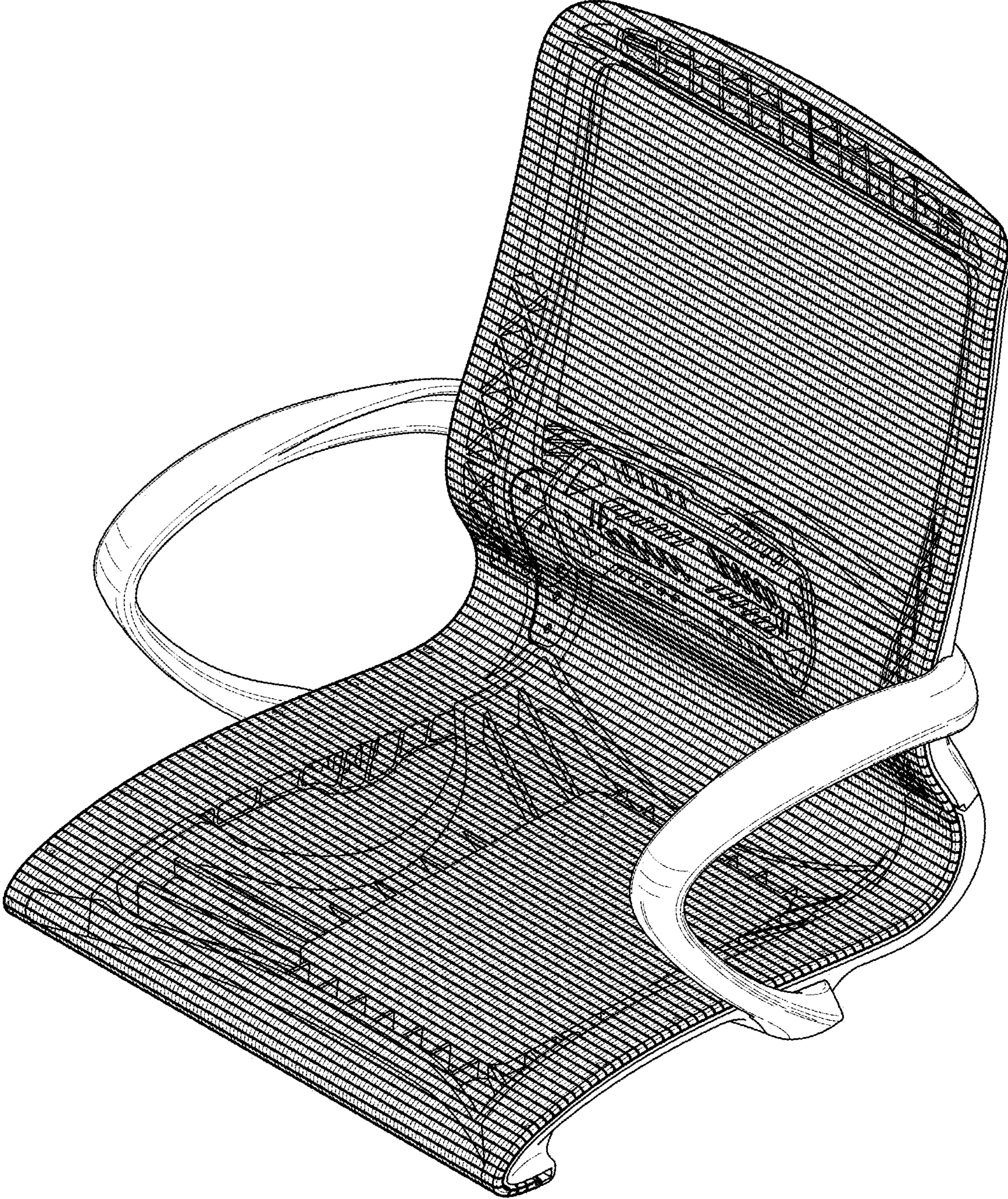


FIG. 1

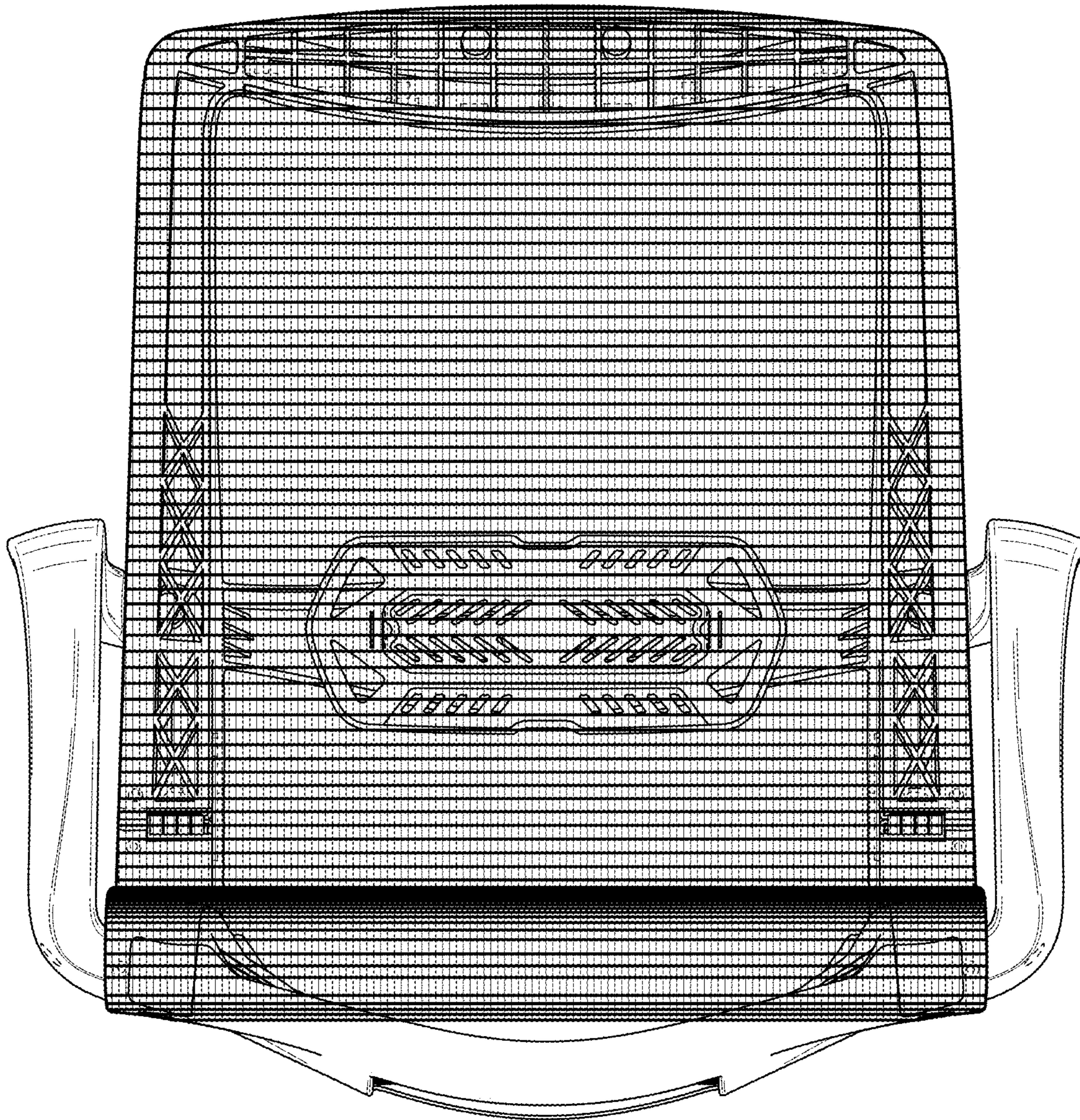


FIG. 2

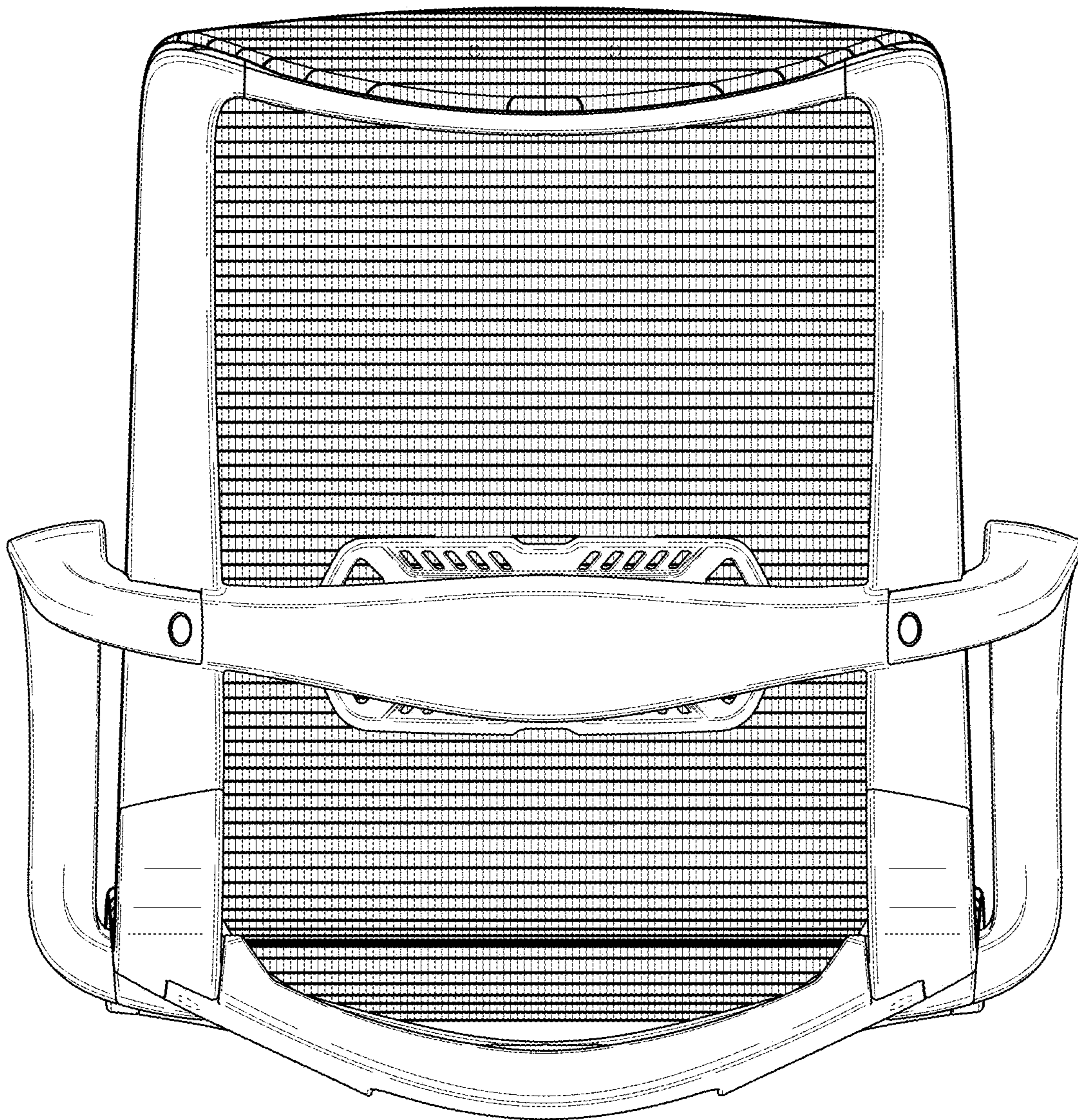


FIG. 3

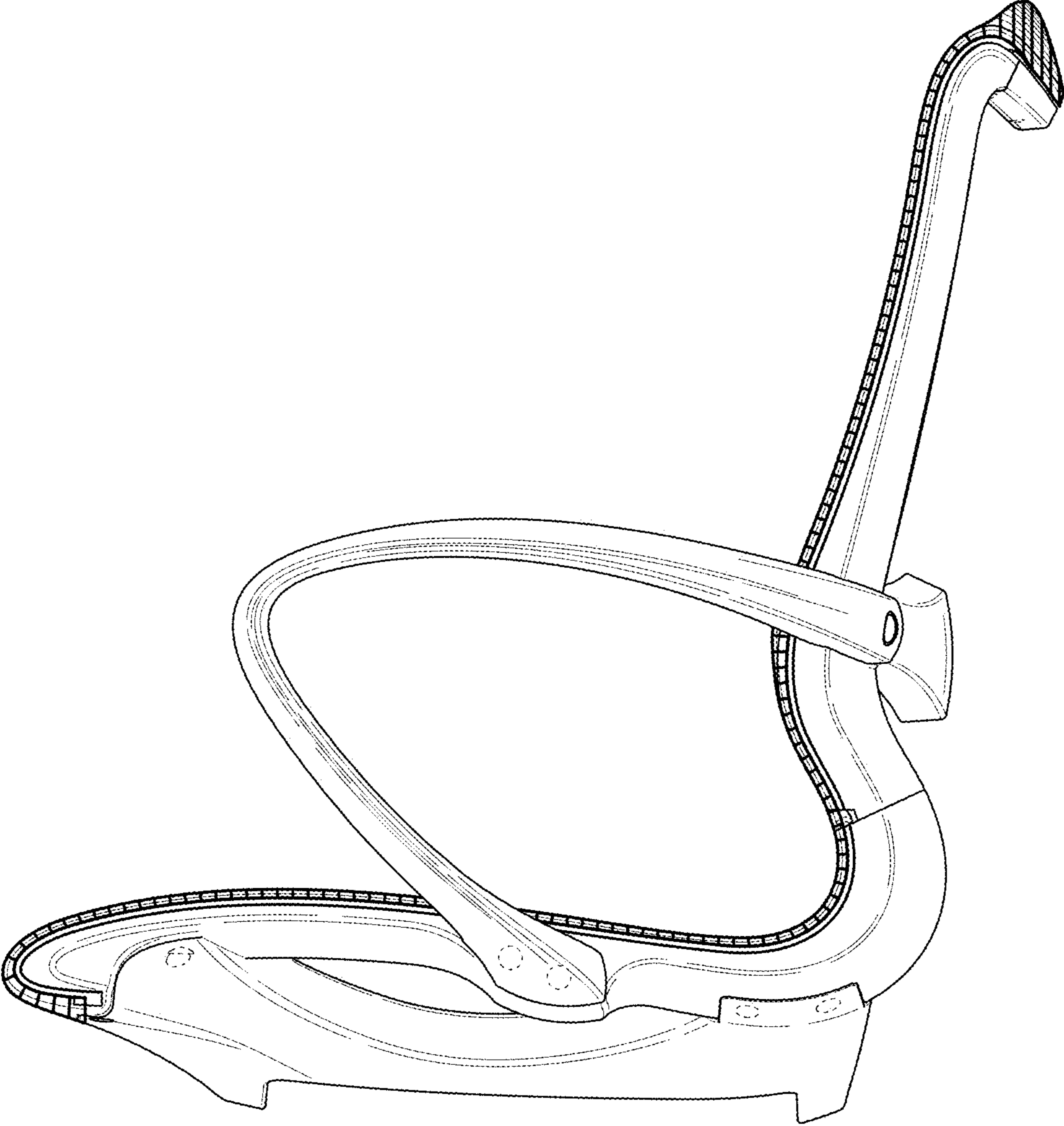


FIG. 4

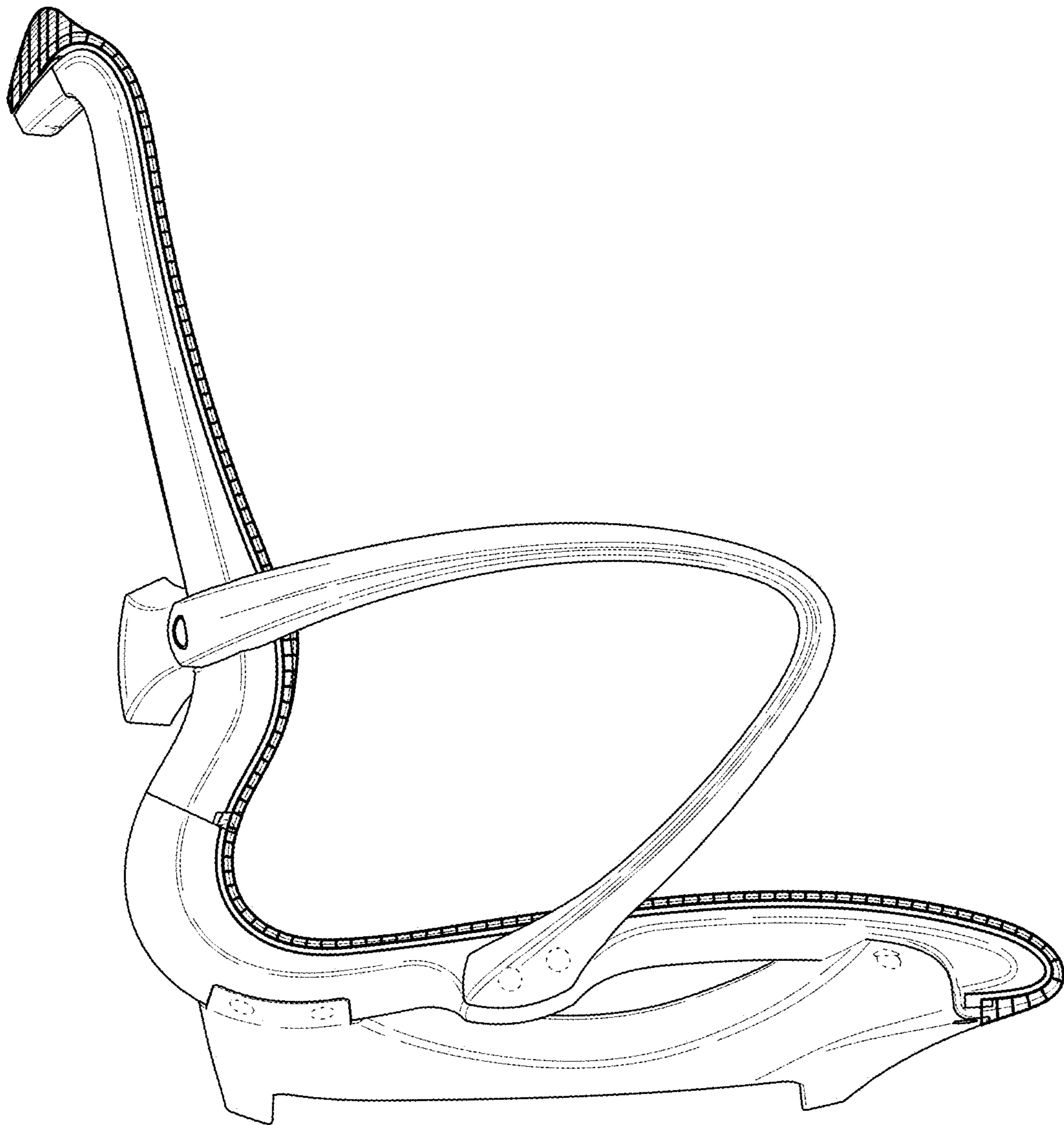


FIG. 5

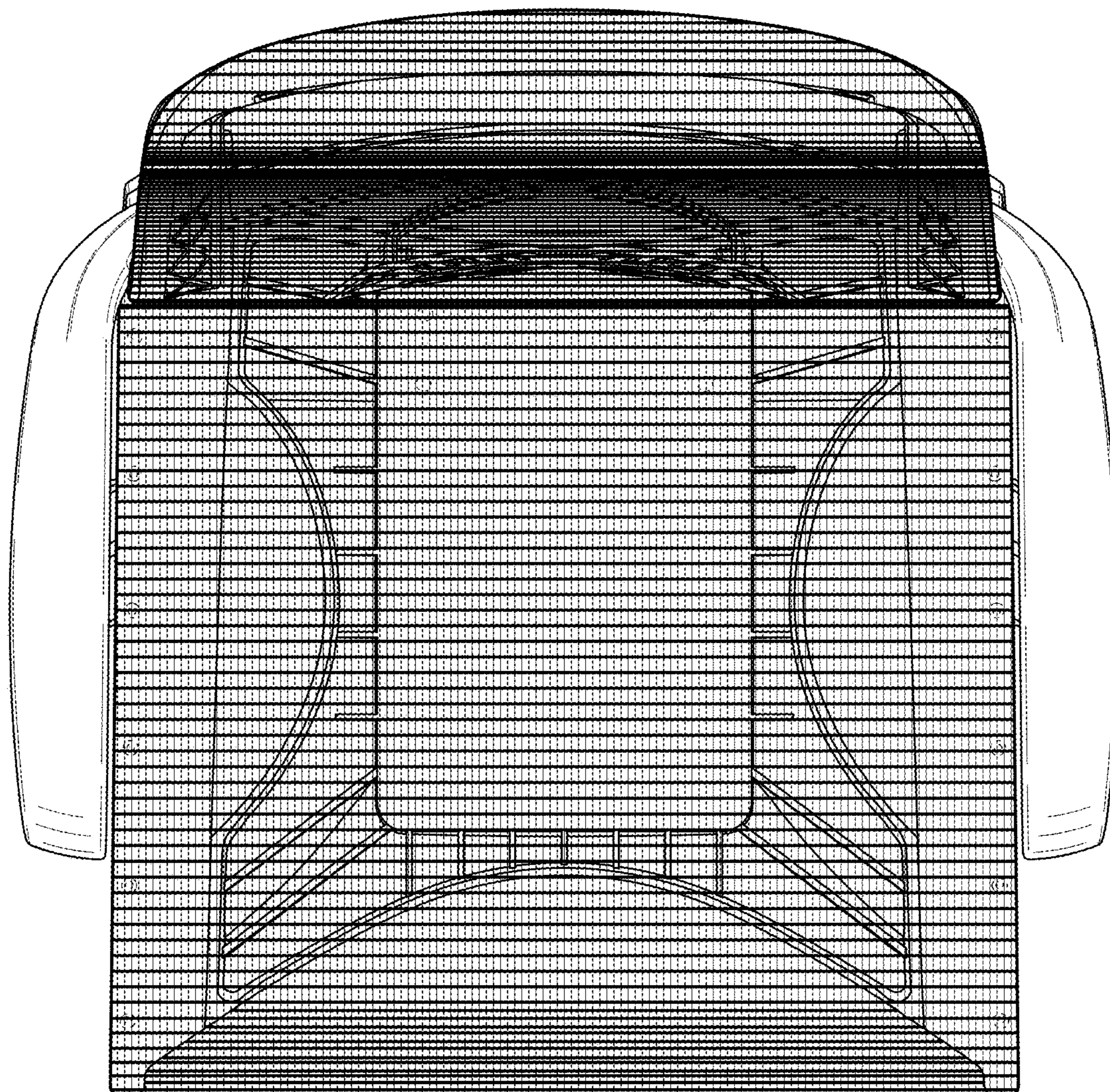


FIG. 6

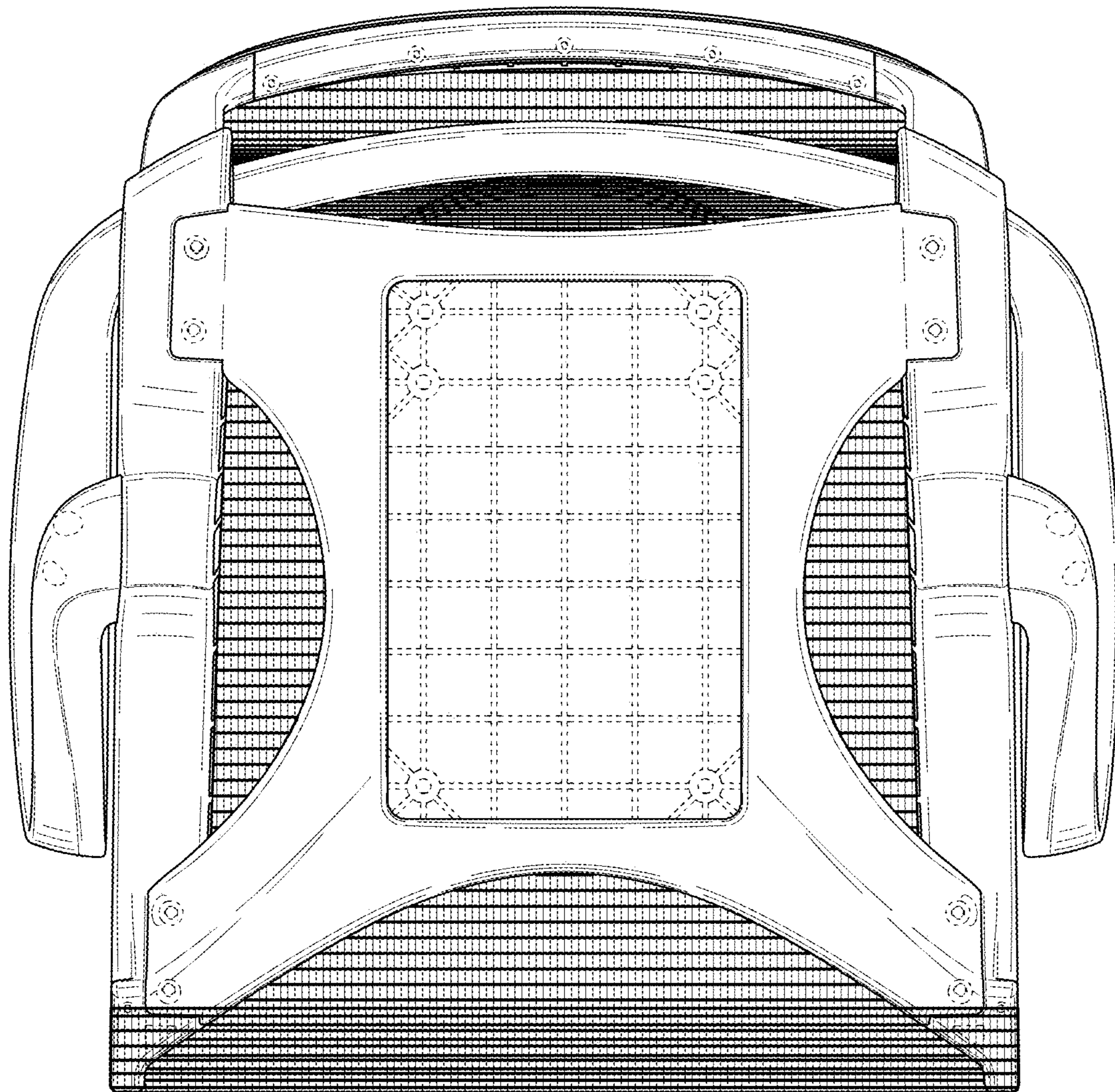


FIG. 7