



US00D953050S

(12) **United States Design Patent** (10) **Patent No.:** **US D953,050 S**
Bhakta (45) **Date of Patent:** **** May 31, 2022**

(54) **BACK AND SEAT FOR A CHAIR**
(71) Applicant: **Jayesh Bhakta**, Corona, CA (US)
(72) Inventor: **Jayesh Bhakta**, Corona, CA (US)
(**) Term: **15 Years**

D532,631 S * 11/2006 Egger D6/716
D543,395 S * 5/2007 Smith D6/366
D561,502 S * 2/2008 Egger D6/366
D566,437 S * 4/2008 Egger D6/366
D569,116 S * 5/2008 Tsai D6/366
D606,781 S * 12/2009 Hernandez D6/366
D614,895 S * 5/2010 Queally D6/716

(Continued)

(21) Appl. No.: **29/753,025**
(22) Filed: **Sep. 29, 2020**
(51) **LOC (13) Cl.** **06-01**
(52) **U.S. Cl.**
USPC **D6/366**
(58) **Field of Classification Search**
USPC D6/356, 364, 365, 366, 367, 379, 716,
D6/716.4, 716.7, 360, 380; D21/521, 695
CPC A47C 1/03294; A47C 1/034; A47C 1/032;
A47C 1/031; A47C 1/023; A47C 3/029;
A47C 3/027; A47C 3/04; A47C 3/02;
A47C 3/12; A47C 4/03; A47C 4/04;
A47C 5/12; A47C 7/029; A47C 7/02;
A47C 7/18; A47C 7/28; A47C 7/32;
A47C 7/38; A47C 7/40; A47C 7/44;
A47C 7/46; A47C 7/54; A47C 7/425;
A47C 7/445; A47C 31/023; A47C 31/04;
B60R 2/0284; B60R 2/062; B60R 22/001;
B60R 22/24; B60R 22/28; B60R 22/58;
B60R 22/64; B60R 22/68; B60R 22/80;
B60R 22/99; B60R 22/245; B60R 22/643;
B60R 22/646; B60R 22/665; B60R
22/686; B60R 22/688; B60R 22/803;
B60R 22/986; B60R 22/914; B60R
22/995; F16B 2/08; F16B 45/00; Y10S
297/01; A47D 13/10
See application file for complete search history.

OTHER PUBLICATIONS

“La-Z-Boy Delano Big and Tall ComfortCore Traditions Executive Office Chair—Chestnut (Brown)” Nov. 2, 2018, staples.com, site visited Dec. 15, 2021 <https://www.staples.com/La-Z-Boy-Delano-Big-and-Tall-ComfortCore-Traditions-Executive-Office-Chair-Chestnut-Brown/product_1922027?cid=NAR%3A1922027?cid=NAR%3A1922027&nrtv_cid=56ecf06c46e0582795a9be0f57a5e1c01ced8da9eb383ca184d2dcba17f6bbfd&nrtv_as_src=1&dclid=CNSns9q25vQCFc6lnwodslYBQw> (Year: 2018).*

Primary Examiner — Kevin K Rudzinski
Assistant Examiner — Paul D Bohannon
(74) *Attorney, Agent, or Firm* — Morland C. Fischer

(57) **CLAIM**

The ornamental design for a back and seat for a chair, as shown and described.

DESCRIPTION

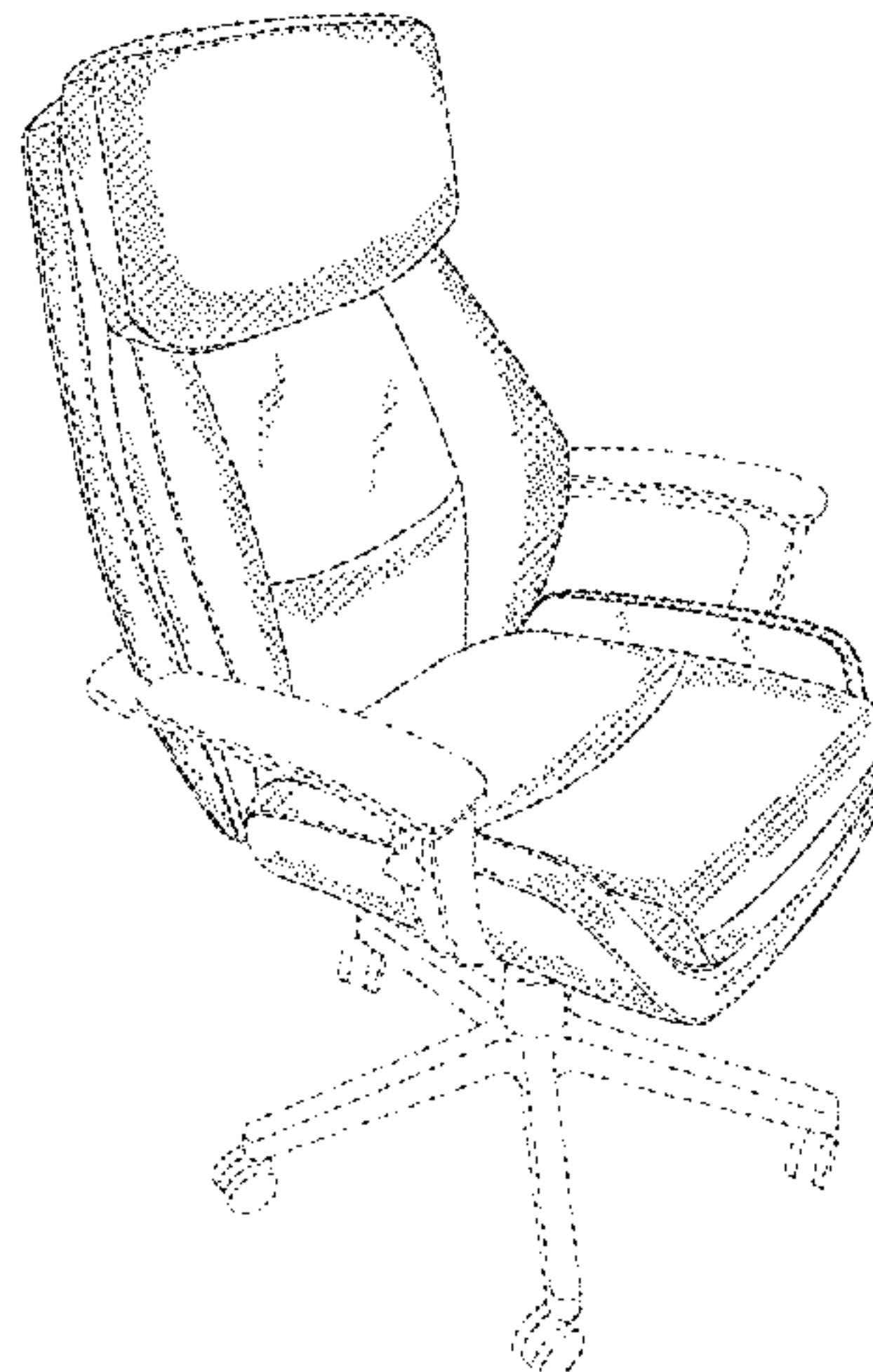
FIG. 1 is a perspective view showing the right side, top and front of a back and seat for a chair which forms my new design;
FIG. 2 is a perspective view showing the left side, top and rear thereof;
FIG. 3 is a front elevational view thereof;
FIG. 4 is a right side elevational view thereof;
FIG. 5 is a rear elevational view thereof;
FIG. 6 is a left side elevational view thereof;
FIG. 7 is a top plan view thereof; and,
FIG. 8 is a bottom plan view thereof.
The long broken lines in the figures depict portions of the back and seat for a chair that form no part of the claim.

(Continued)

(56) **References Cited**

U.S. PATENT DOCUMENTS

D463,692 S * 10/2002 Chi D6/366
D468,119 S * 1/2003 Zaidman D6/365
D495,168 S * 8/2004 True D6/366
D532,211 S * 11/2006 Su D6/366



The short broken lines in the figures are understood to represent stitching which form part of the claim.

1 Claim, 7 Drawing Sheets

(56)

References Cited

U.S. PATENT DOCUMENTS

D626,768	S	*	11/2010	Galati, Jr.	D6/716
D657,580	S	*	4/2012	Zhou	D6/366
D658,409	S	*	5/2012	Ping	D6/716
D706,048	S	*	6/2014	Wang	D6/366
D769,633	S	*	10/2016	Mezzera	D6/366
D769,636	S	*	10/2016	Mezzera	D6/366
D769,637	S	*	10/2016	Mezzera	D6/366
D770,820	S	*	11/2016	Mezzera	D6/716
D792,725	S	*	7/2017	Patir	D6/716
D809,841	S	*	2/2018	Mao	D6/716
D811,793	S	*	3/2018	Palma	D6/716
D879,492	S	*	3/2020	Wang	D6/366
D880,181	S	*	4/2020	Wang	D6/366
D902,615	S	*	11/2020	Palma	D6/366
D918,611	S	*	5/2021	Wang	D6/366
D935,251	S	*	11/2021	Bhakta	D6/716
D935,252	S	*	11/2021	Bhakta	D6/716
2018/0035805	A1	*	2/2018	Mezzera	A47C 4/021

* cited by examiner

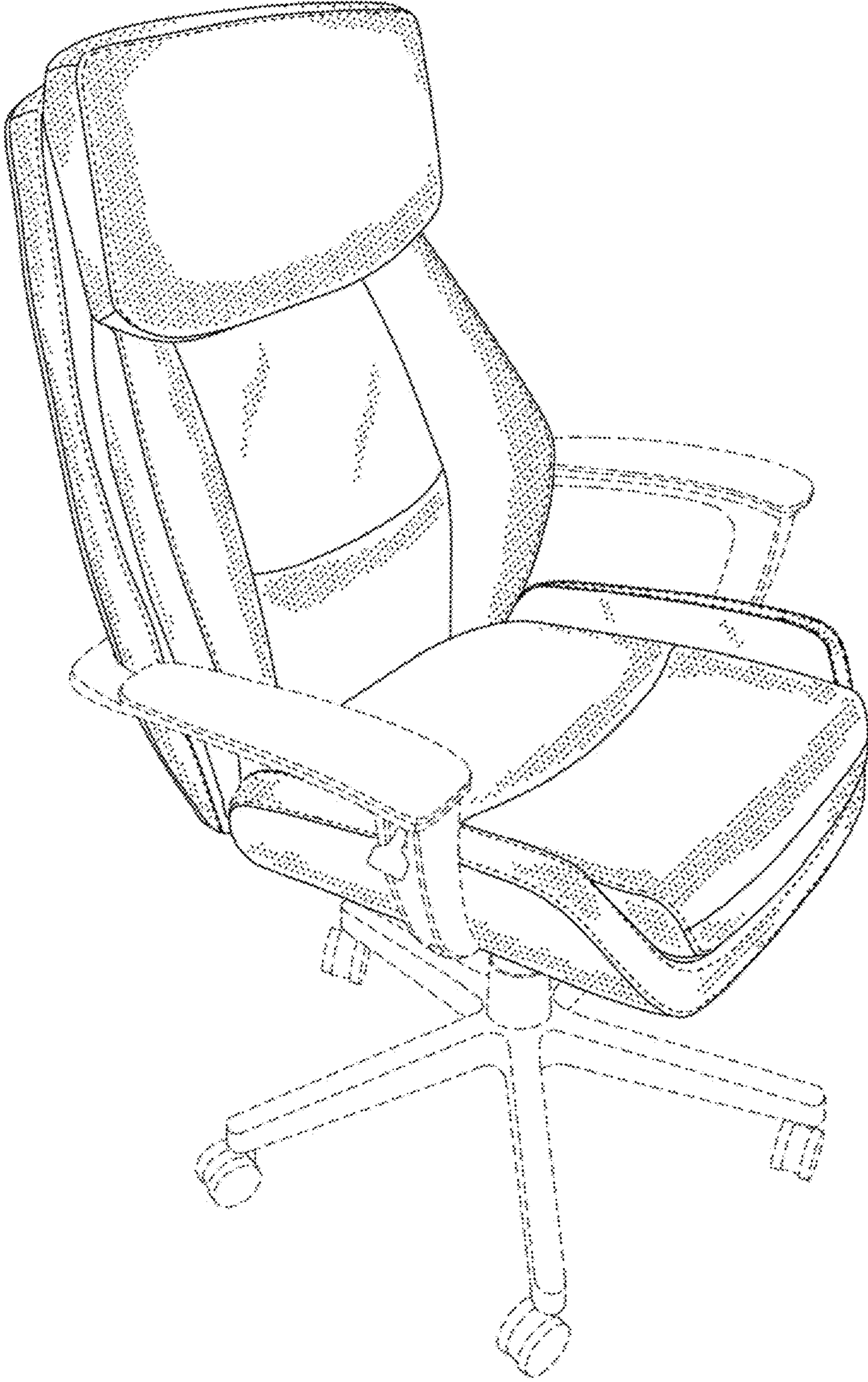


FIG. 1

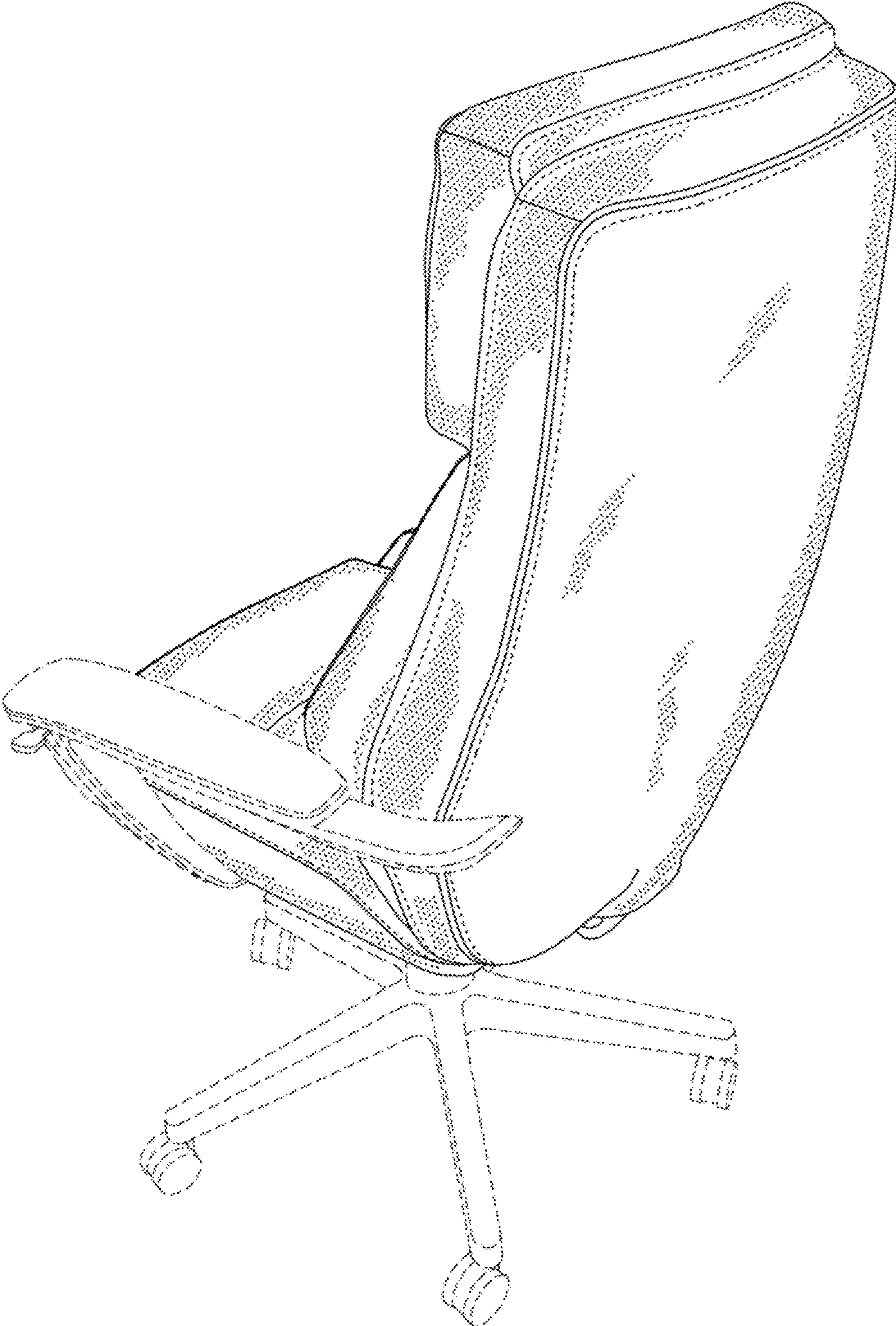


FIG. 2

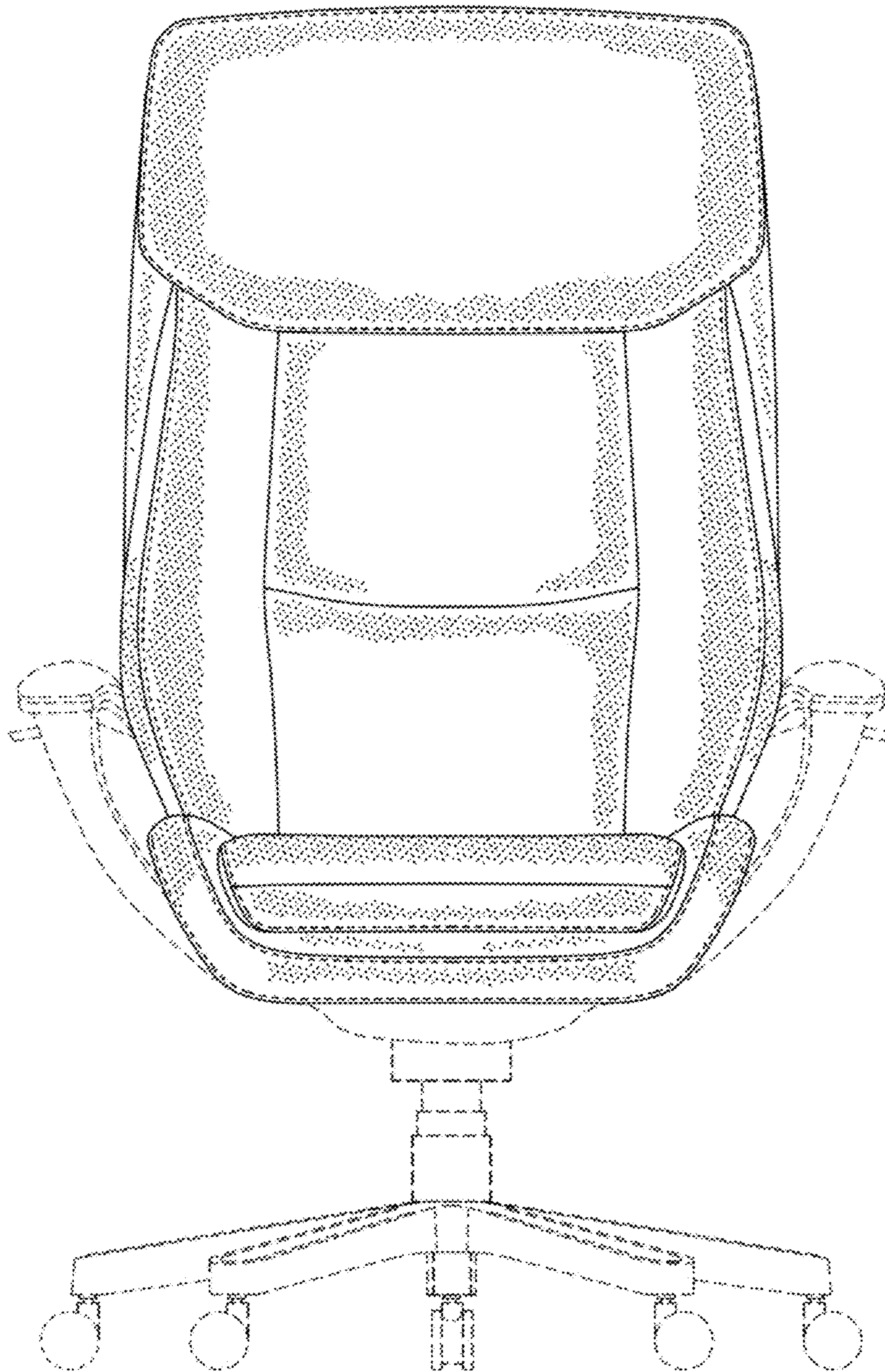


FIG. 3

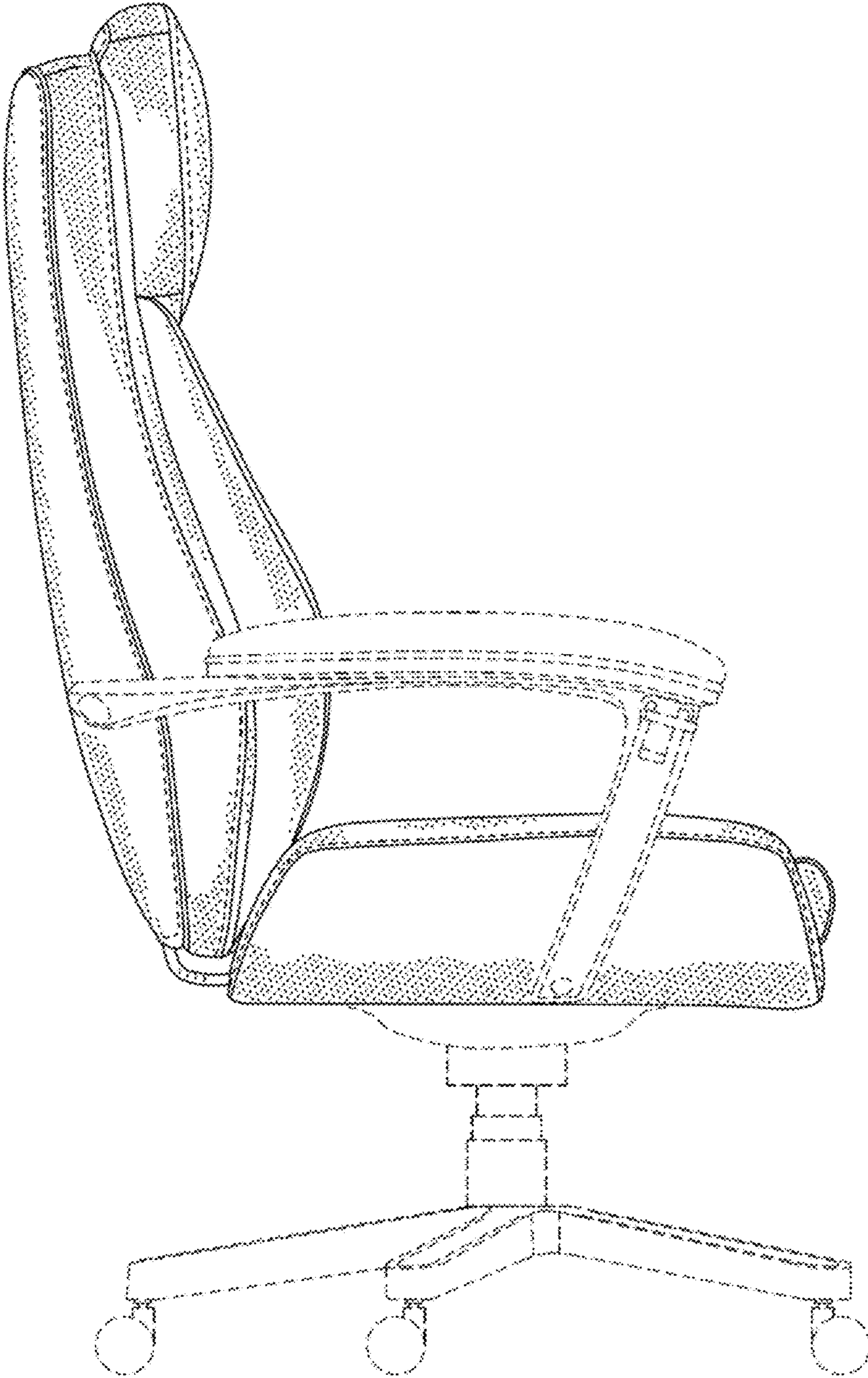


FIG. 4

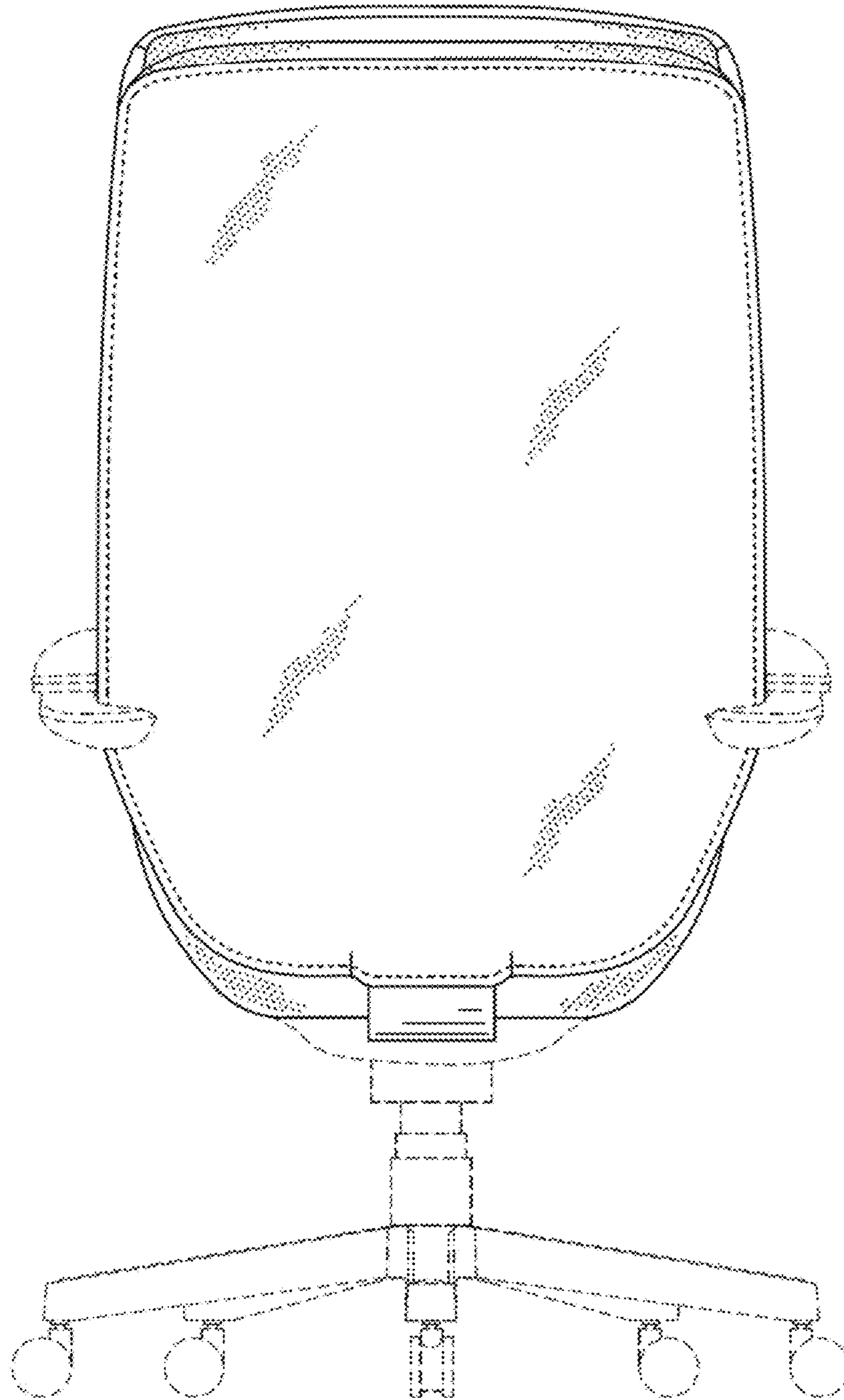


FIG. 5

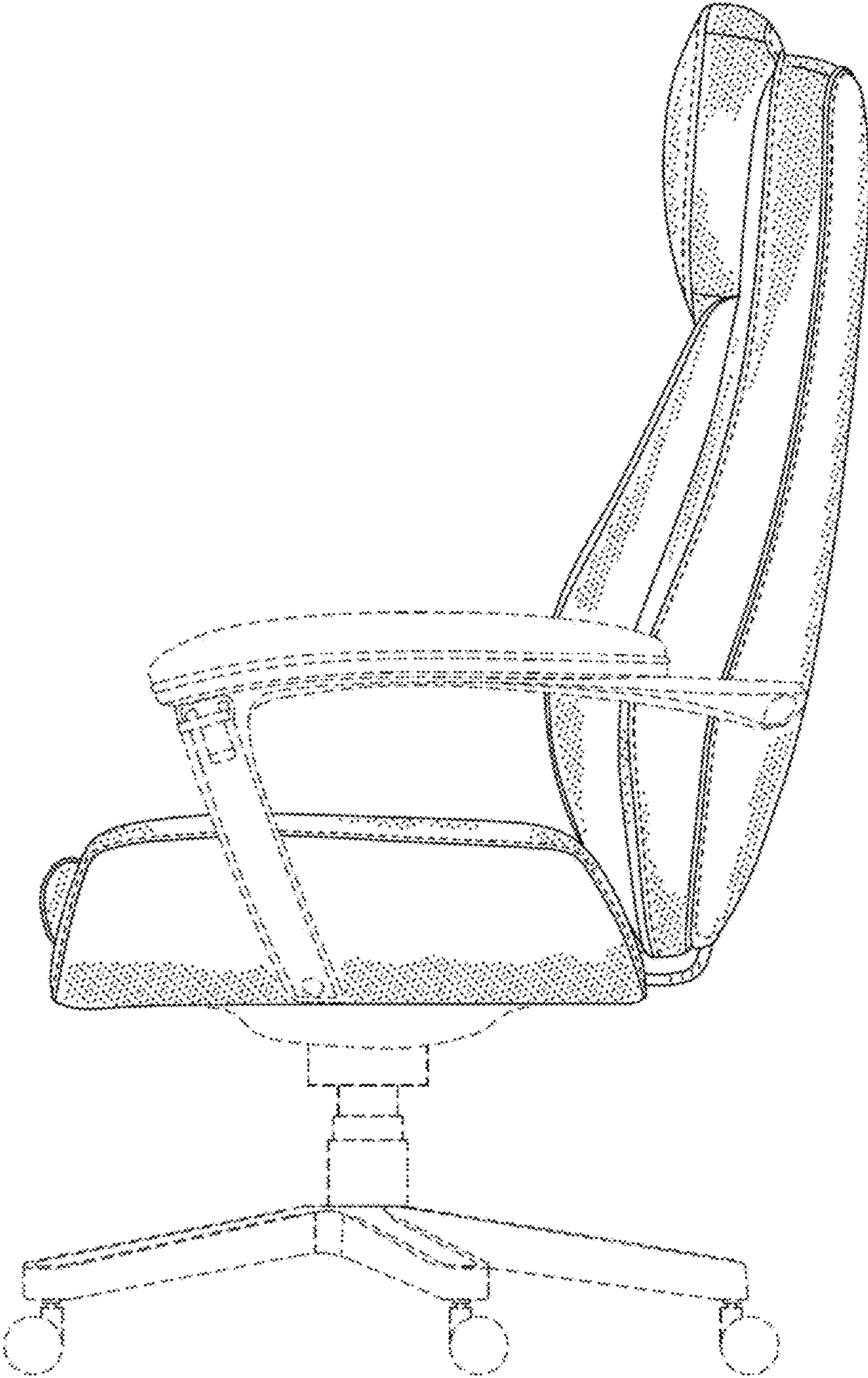


FIG. 6

FIG. 7

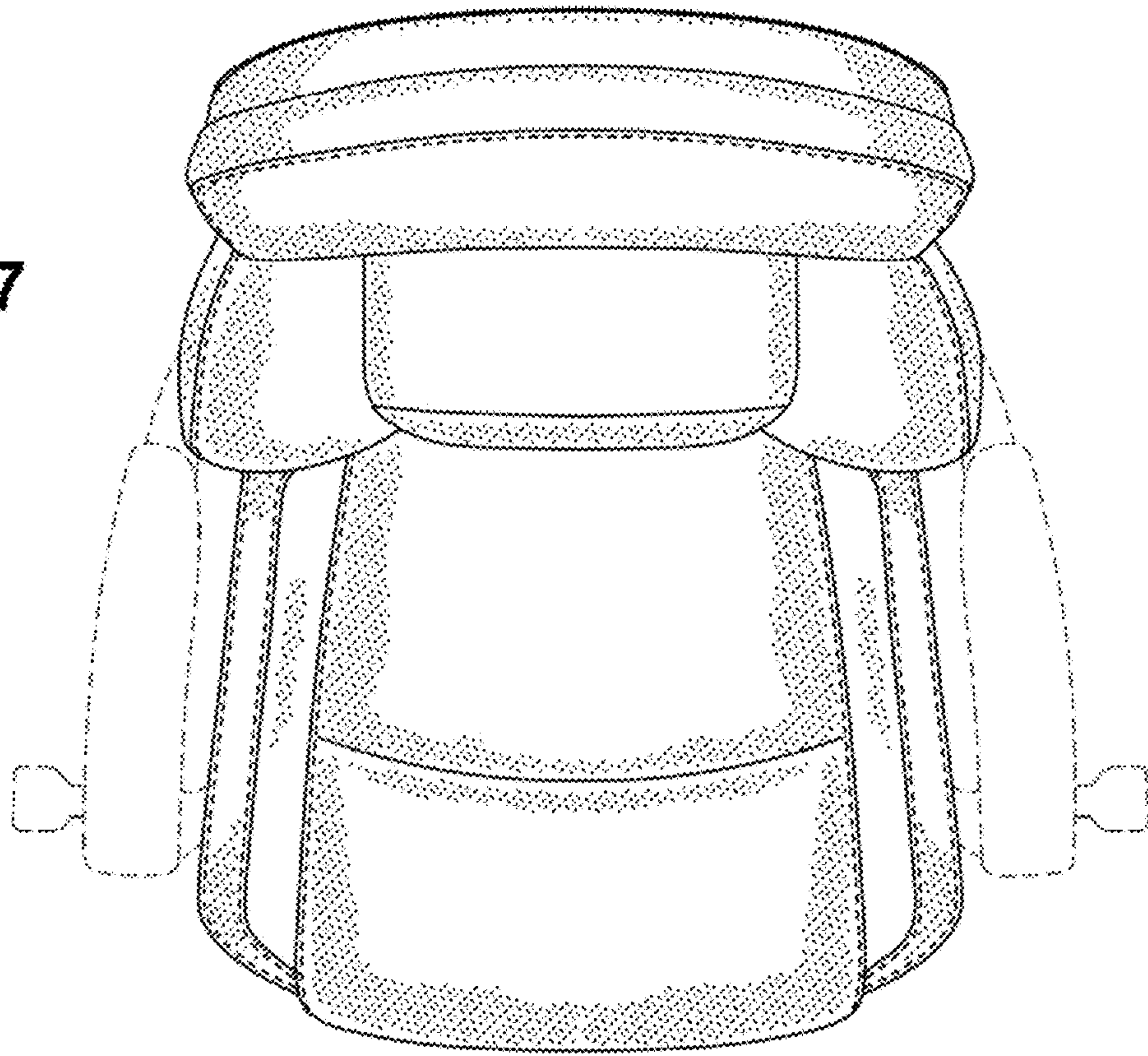


FIG. 8

