



US00D953049S

(12) **United States Design Patent** (10) **Patent No.:** **US D953,049 S**
Theesfeld et al. (45) **Date of Patent:** **** May 31, 2022**

(54) **CHAIR**

(71) Applicant: **Allseating Corporation**, Mississauga (CA)

(72) Inventors: **Jeffery T. Theesfeld**, East Greenville, PA (US); **Shaun J. Smith**, Harleysville, PA (US); **Timothy J. Weaver**, Boyertown, PA (US); **Aaron Duke**, Orangeville (CA)

(73) Assignee: **ALLSEATING CORPORATION**

(**) Term: **15 Years**

(21) Appl. No.: **29/738,749**

(22) Filed: **Jun. 19, 2020**

(51) **LOC (13) Cl.** **06-01**

(52) **U.S. Cl.**
USPC **D6/366**

(58) **Field of Classification Search**
USPC D6/334, 366, 367, 374, 375, 379, 380, D6/716, 716.1, 716.2, 716.4
CPC A47C 1/02; A47C 1/024; A47C 1/03255; A47C 3/18; A47C 3/20; A47C 7/18; A47C 7/24; A47C 7/36; A47C 7/38; A47C 7/40; A47C 7/46; A47C 7/54
See application file for complete search history.

(56) **References Cited**

U.S. PATENT DOCUMENTS

D456,626 S * 5/2002 Su D6/366
D457,739 S * 5/2002 Pearce D6/366
6,848,744 B1 * 2/2005 Raftery A47C 31/02
297/284.1
9,596,941 B1 * 3/2017 Romero A47C 7/402
10,556,529 B2 * 2/2020 Sei B60N 2/501

11,019,928 B2 * 6/2021 Takagi F16H 19/0645
2003/0164640 A1 * 9/2003 Battey A47C 1/03261
297/440.15
2009/0146476 A1 * 6/2009 Kan A47C 1/03272
297/284.4
2011/0018328 A1 * 1/2011 Ko A47C 7/40
297/452.18
2021/0204699 A1 * 7/2021 Deevers A47C 1/03255

FOREIGN PATENT DOCUMENTS

JP 2008104543 A * 5/2008

* cited by examiner

Primary Examiner — R. Johnson

(74) *Attorney, Agent, or Firm* — Lorelei G. Graham

(57) **CLAIM**

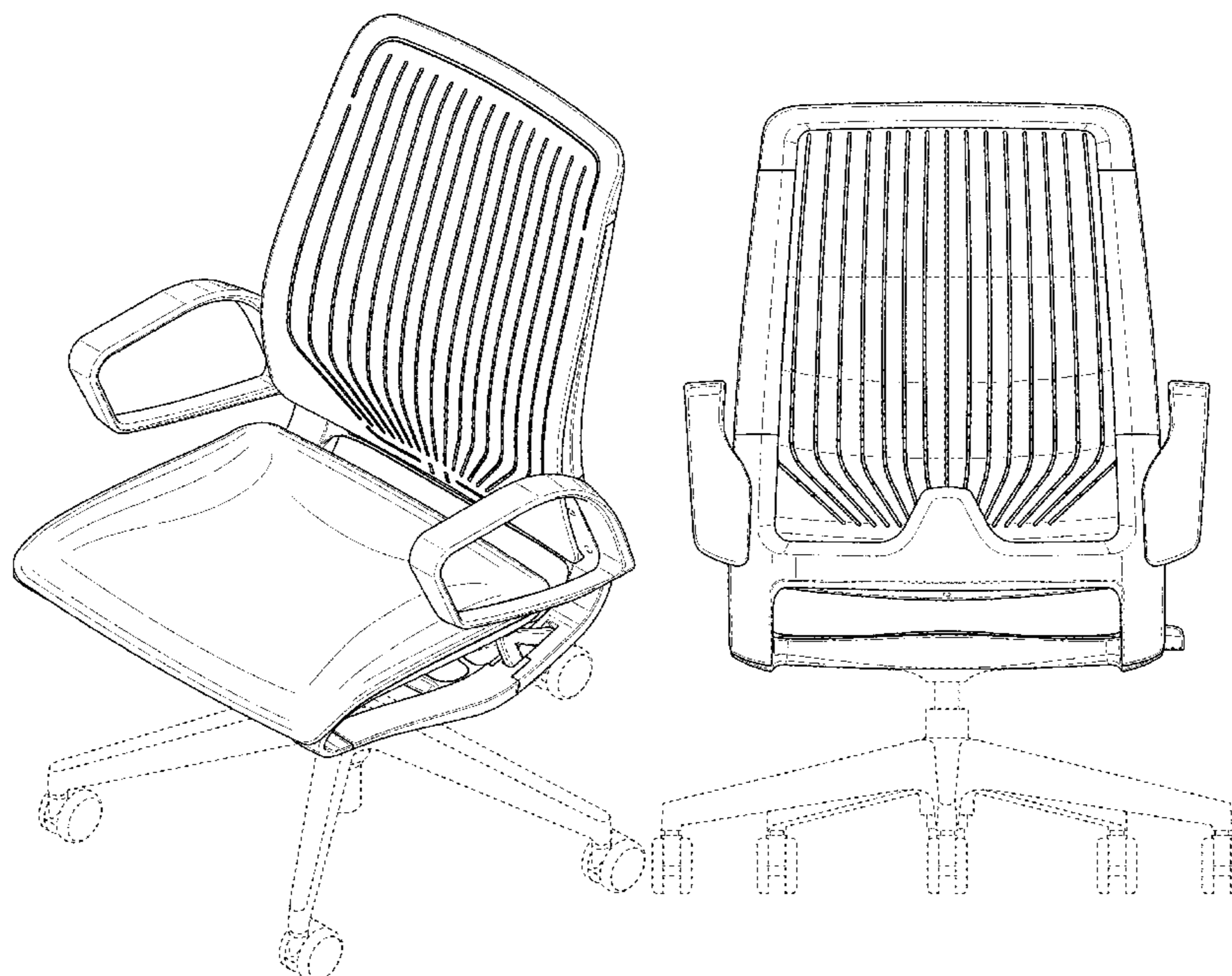
The ornamental design for a chair, as shown and described.

DESCRIPTION

FIG. 1 is a front perspective view of a chair showing our new design;
FIG. 2 is a bottom perspective view thereof;
FIG. 3 is a front view thereof;
FIG. 4 is a back view thereof;
FIG. 5 is a left side view thereof;
FIG. 6 is a right side view thereof;
FIG. 7 is a top view thereof; and,
FIG. 8 is a bottom view thereof.

The broken lines shown in the drawings are for the purpose of illustrating portions of the article that form no part of the claim design.

1 Claim, 8 Drawing Sheets



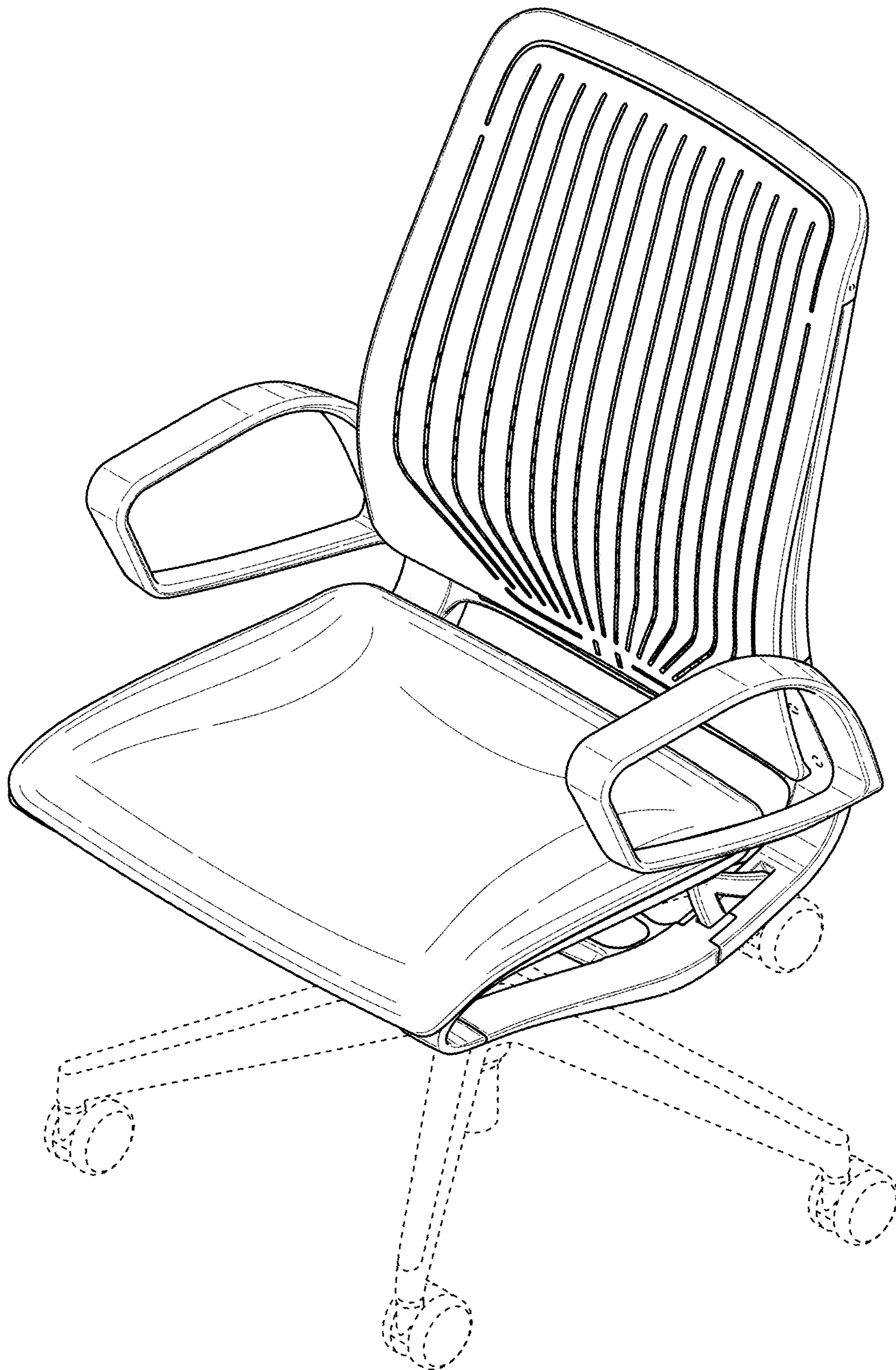


FIG. 1

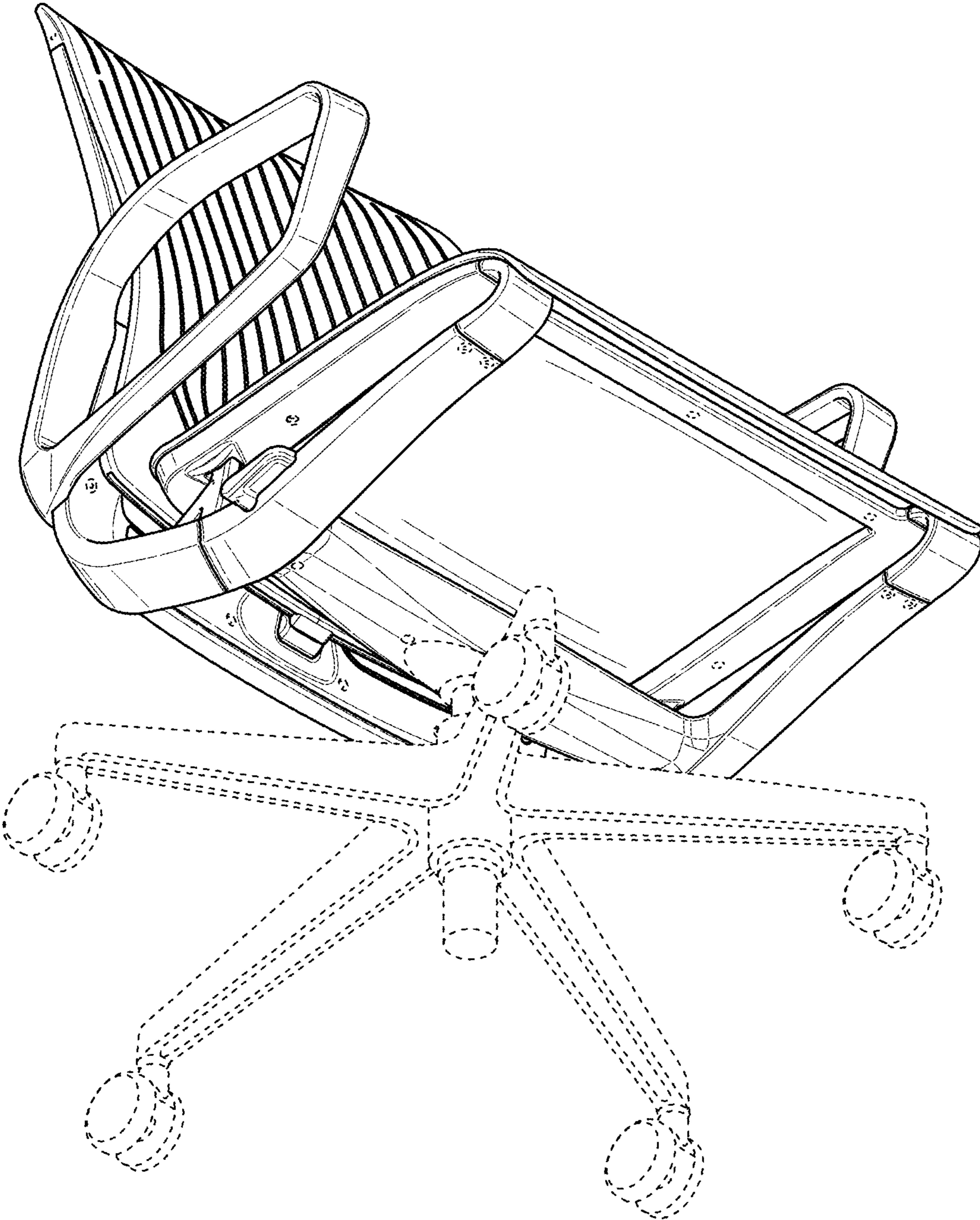


FIG. 2

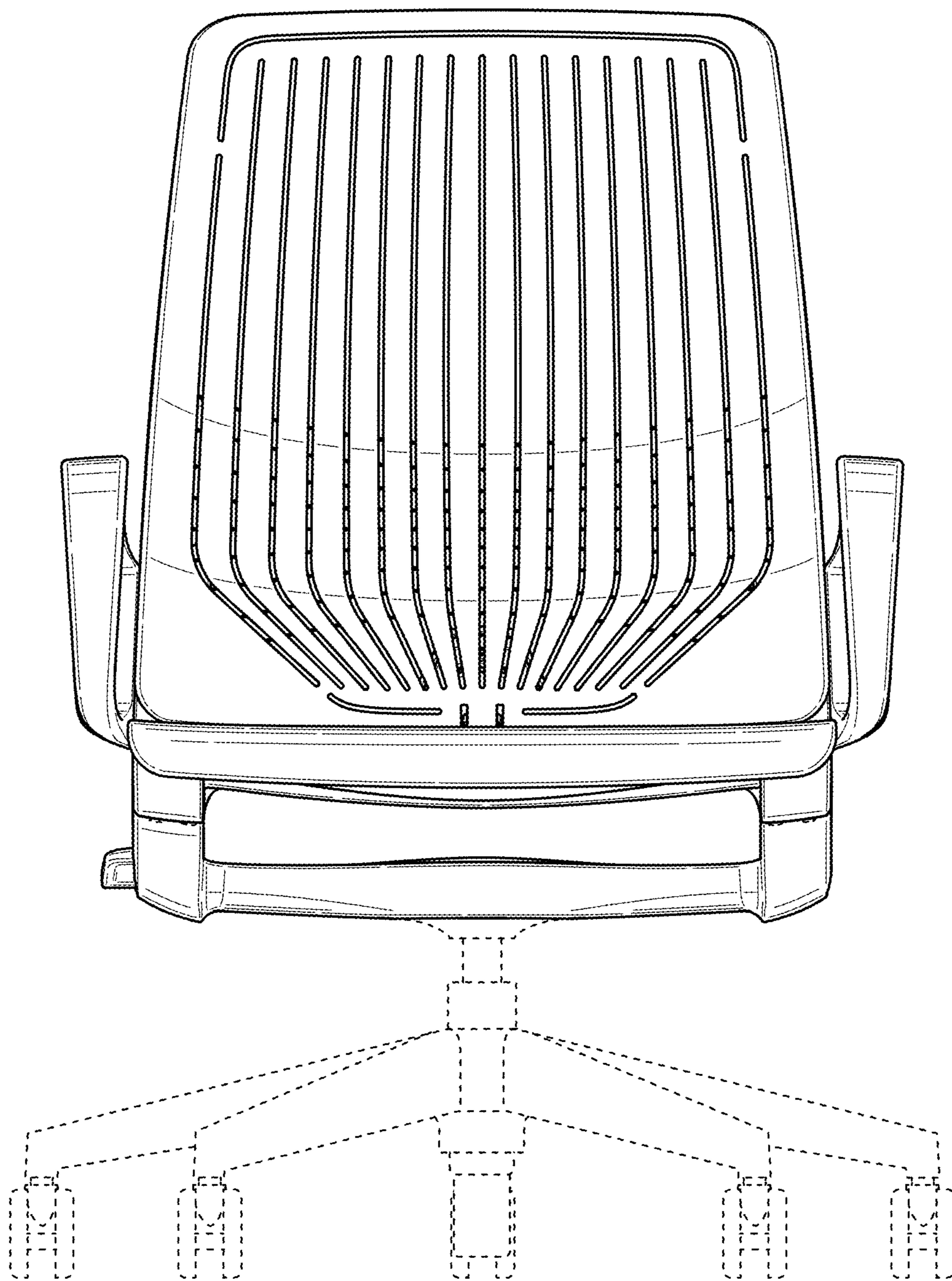


FIG. 3

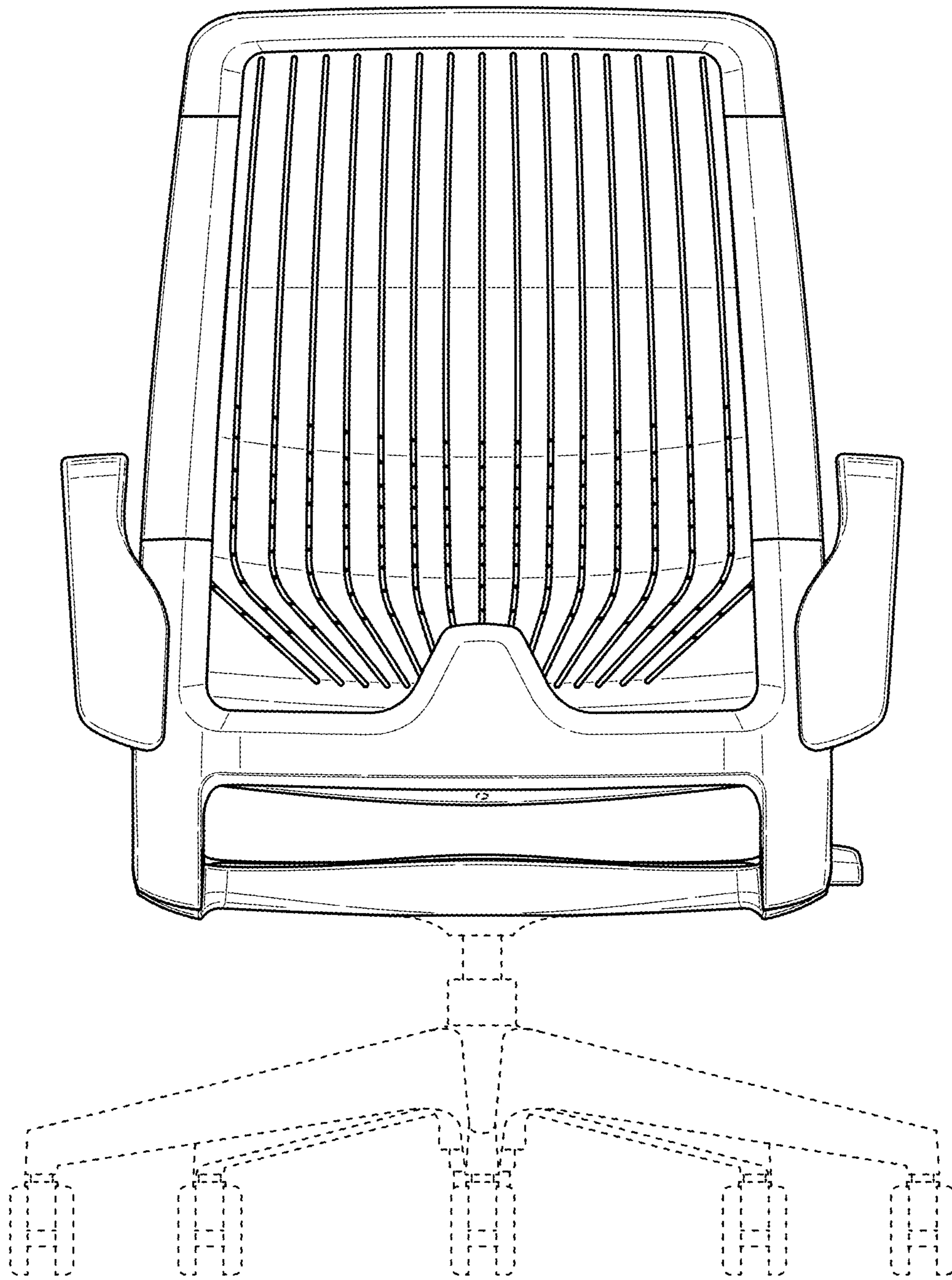


FIG. 4

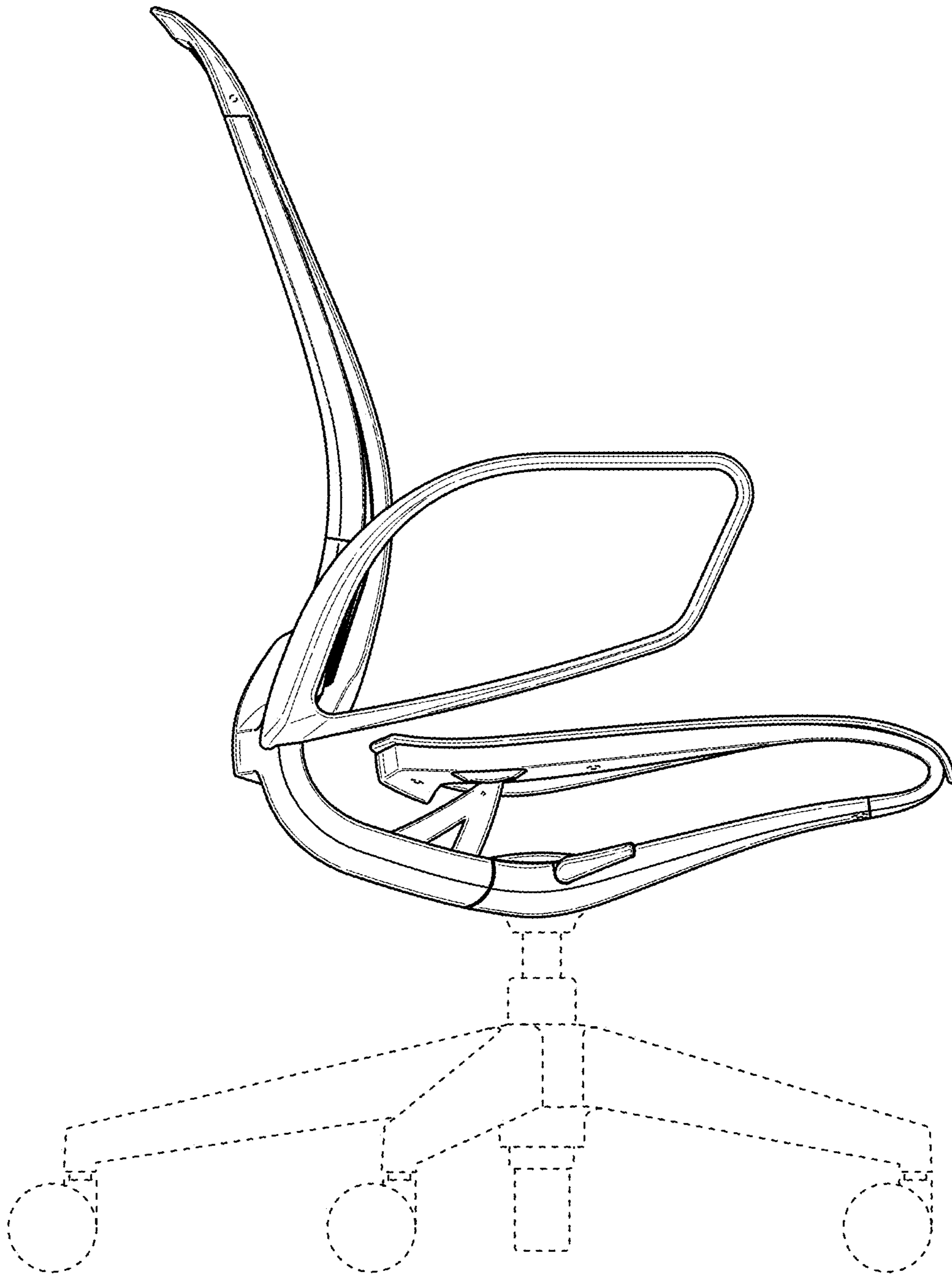


FIG. 5

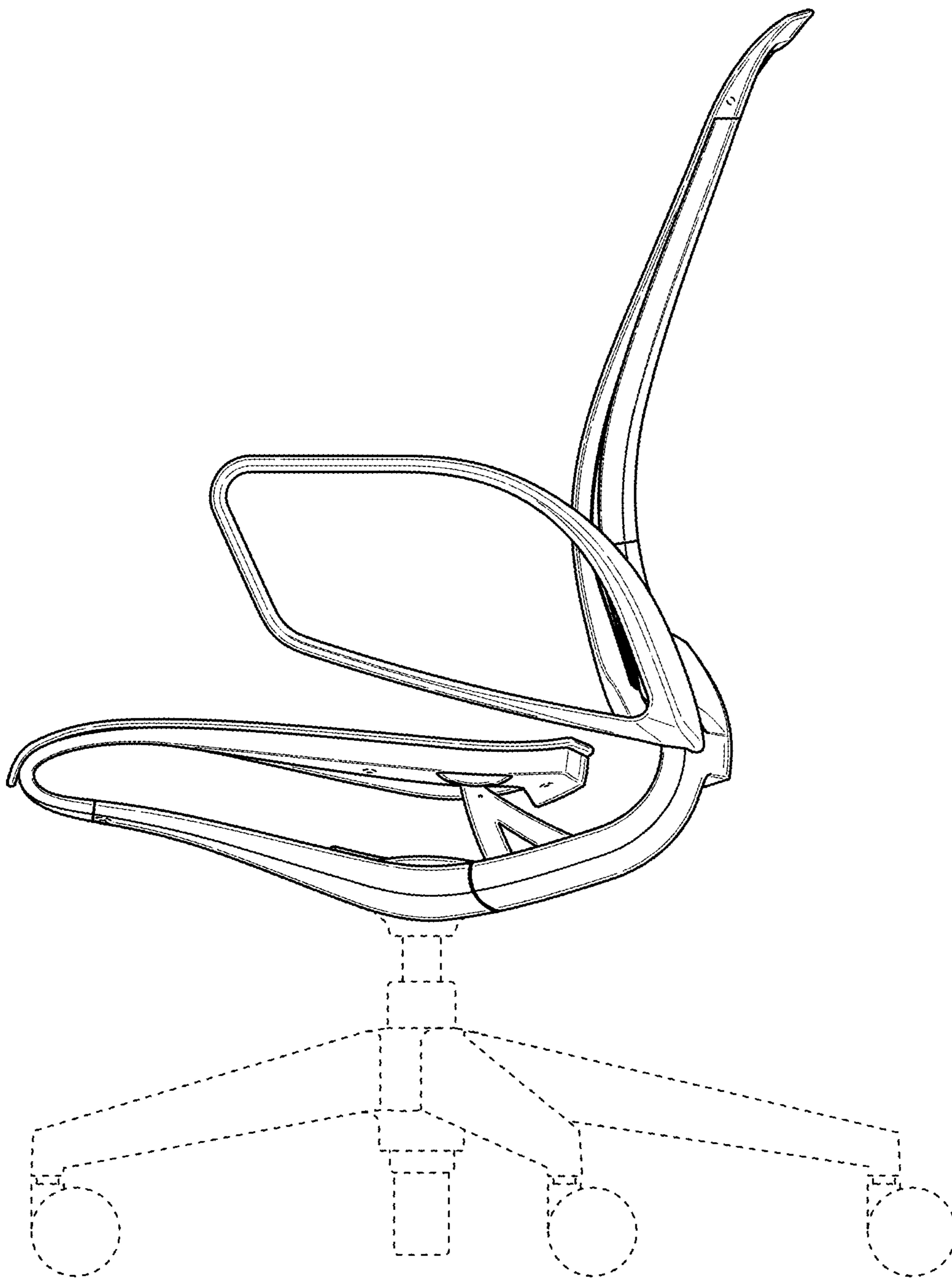


FIG. 6

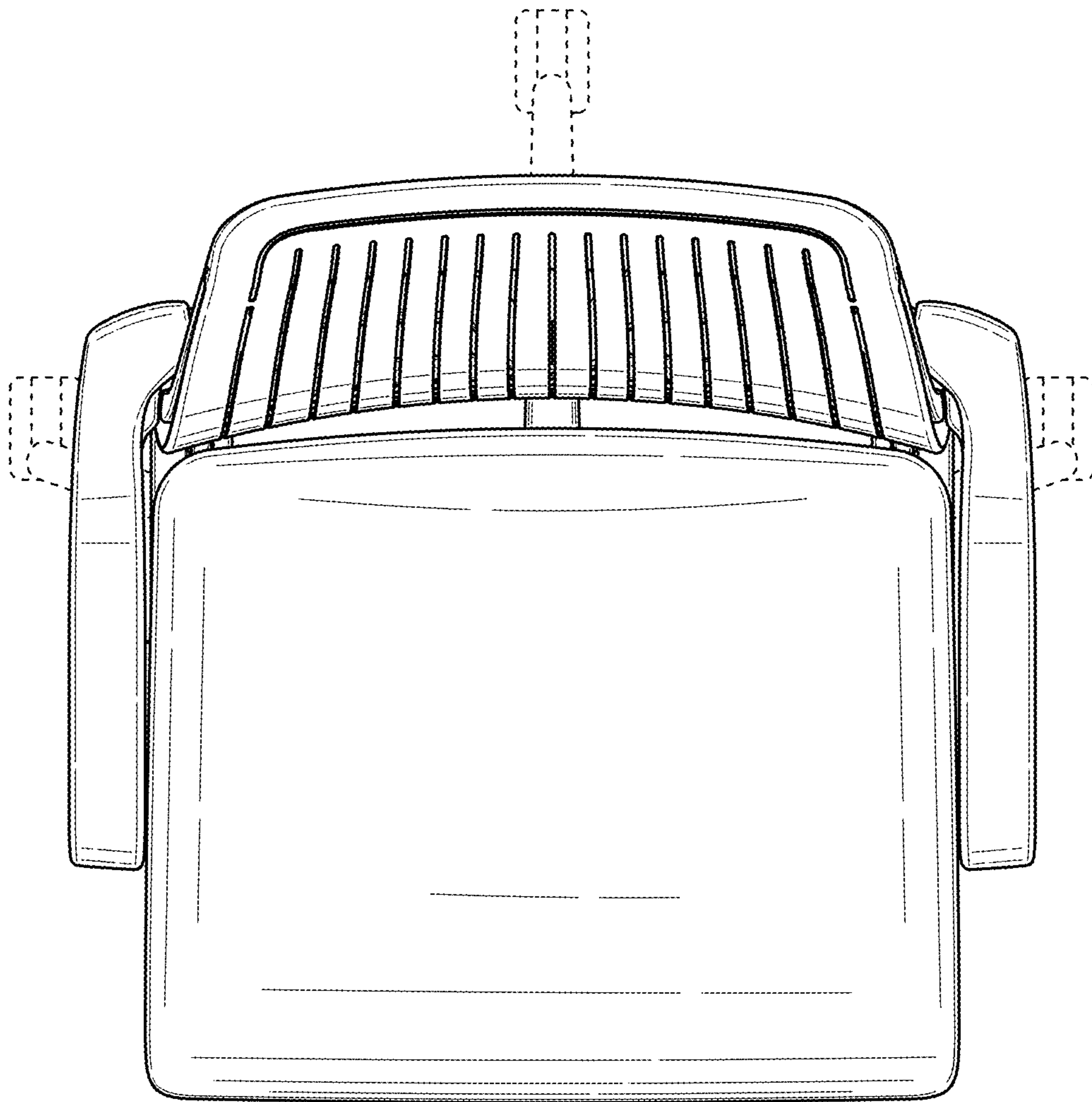


FIG. 7

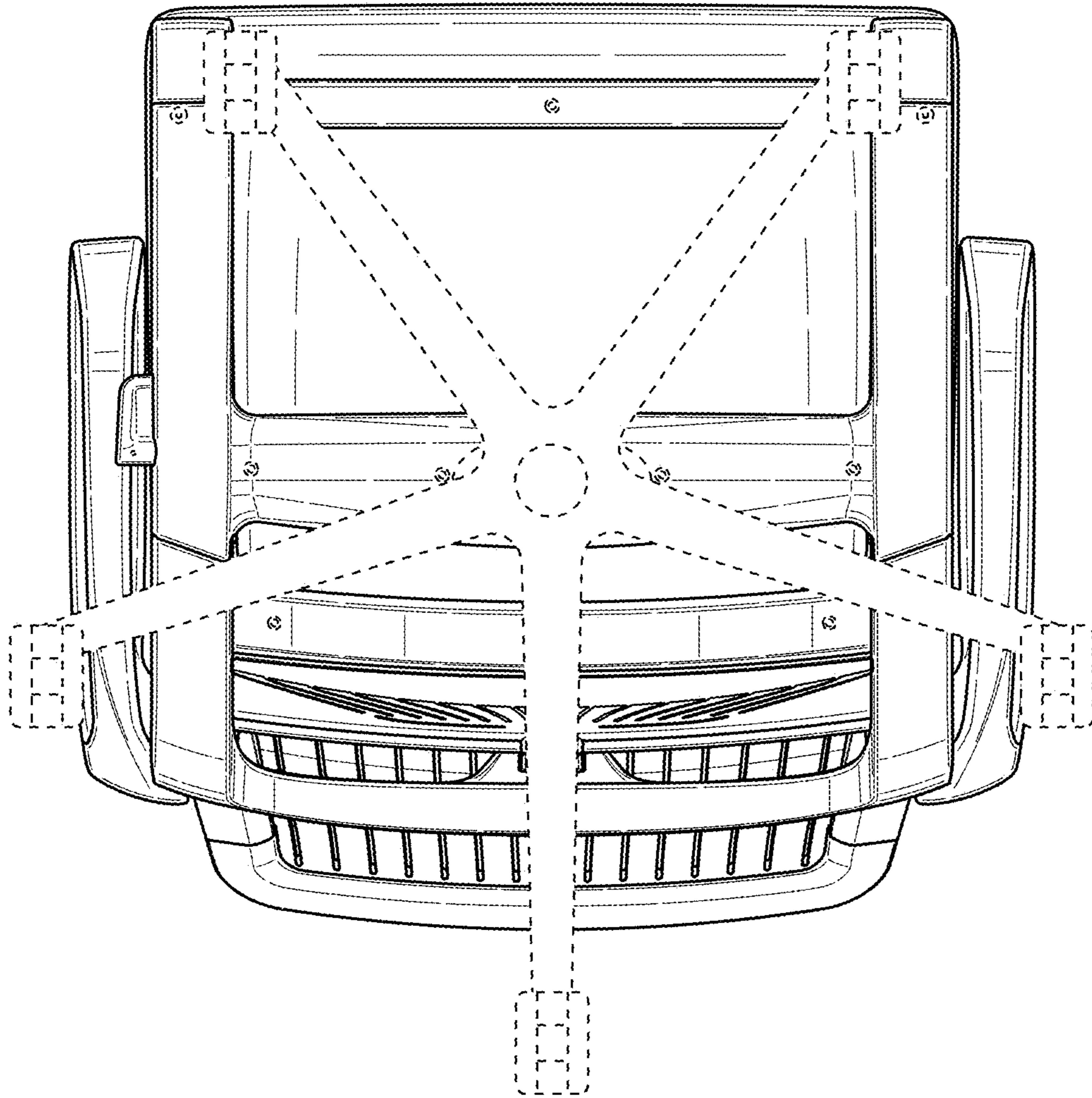


FIG. 8