



US00D953046S

(12) **United States Design Patent**
Zheng

(10) **Patent No.:** **US D953,046 S**

(45) **Date of Patent:** **** May 31, 2022**

(54) **WATER MAT**

D866,998 S * 11/2019 Zheng D6/333
D933,155 S * 10/2021 Hsu D21/803
D934,001 S * 10/2021 Ou D6/597

(71) Applicant: **Shen Zhen Pin Zheng Digital
Electronic Technology Co., Ltd.,
GuangDong (CN)**

* cited by examiner

(72) Inventor: **Allen Zheng, GuangDong (CN)**

Primary Examiner — Abraham Bahta
(74) *Attorney, Agent, or Firm* — Daniel M. Cohn;
Howard M. Cohn

(**) Term: **15 Years**

(21) Appl. No.: **29/784,609**

(57) **CLAIM**

(22) Filed: **May 20, 2021**

The ornamental design for a water mat, as shown and described.

(51) **LOC (13) Cl.** **06-01**

(52) **U.S. Cl.**

USPC **D6/333**

(58) **Field of Classification Search**

USPC D6/595–608, 522, 546, 583; D24/183,
D24/184, 185, 234; D21/903, 804, 805,
D21/809, 440

CPC A47G 2009/1018; A47G 2009/003; A47G
9/0253; A47G 9/10; A47G 9/1027; A47G
9/1036; A47G 9/1054; A47G 9/1063;
A47G 9/1072; A47G 9/1081; A47G
9/109; A45F 4/06; A47C 21/06; A47C
20/00; A47C 27/14; A47C 27/00

See application file for complete search history.

DESCRIPTION

FIG. 1 is a front, right, and top perspective view of a water mat, showing my design.

FIG. 2 is a rear, left, and bottom perspective view thereof.

FIG. 3 is a front elevation view thereof.

FIG. 4 is a rear elevation view thereof.

FIG. 5 is a left side elevation view thereof.

FIG. 6 is a right side elevation view thereof.

FIG. 7 is a top plan view thereof.

FIG. 8 is a bottom plan view thereof; and,

FIG. 9 is a partial enlarged view of an area labeled 9 in FIG. 1 comprising a protrusion.

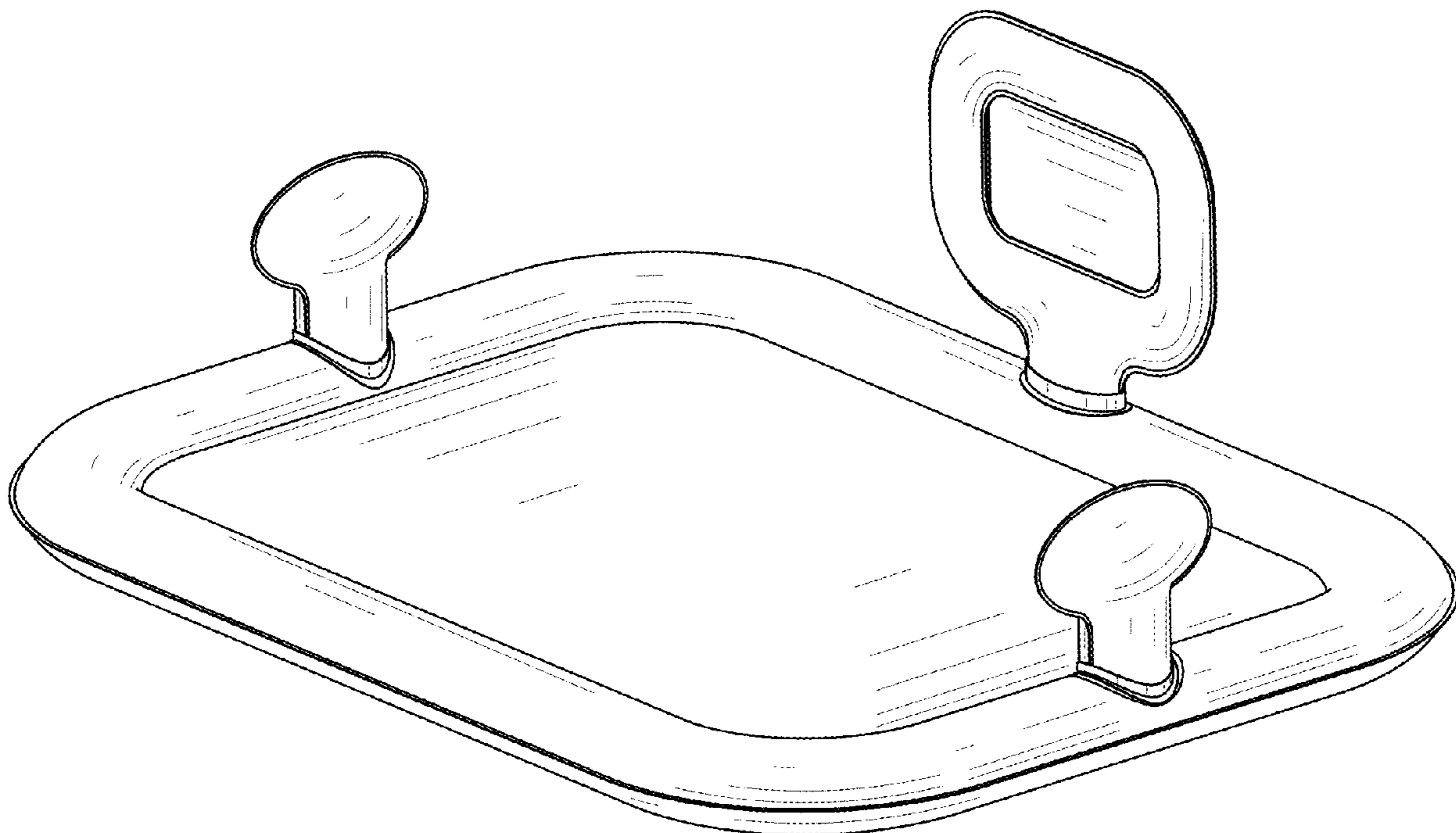
The broken lines framing portions of the claimed design that are illustrated for enlargements form no part of the claimed design.

(56) **References Cited**

U.S. PATENT DOCUMENTS

D308,789 S 6/1990 Hackwell
D313,722 S 1/1991 Axelson

1 Claim, 9 Drawing Sheets



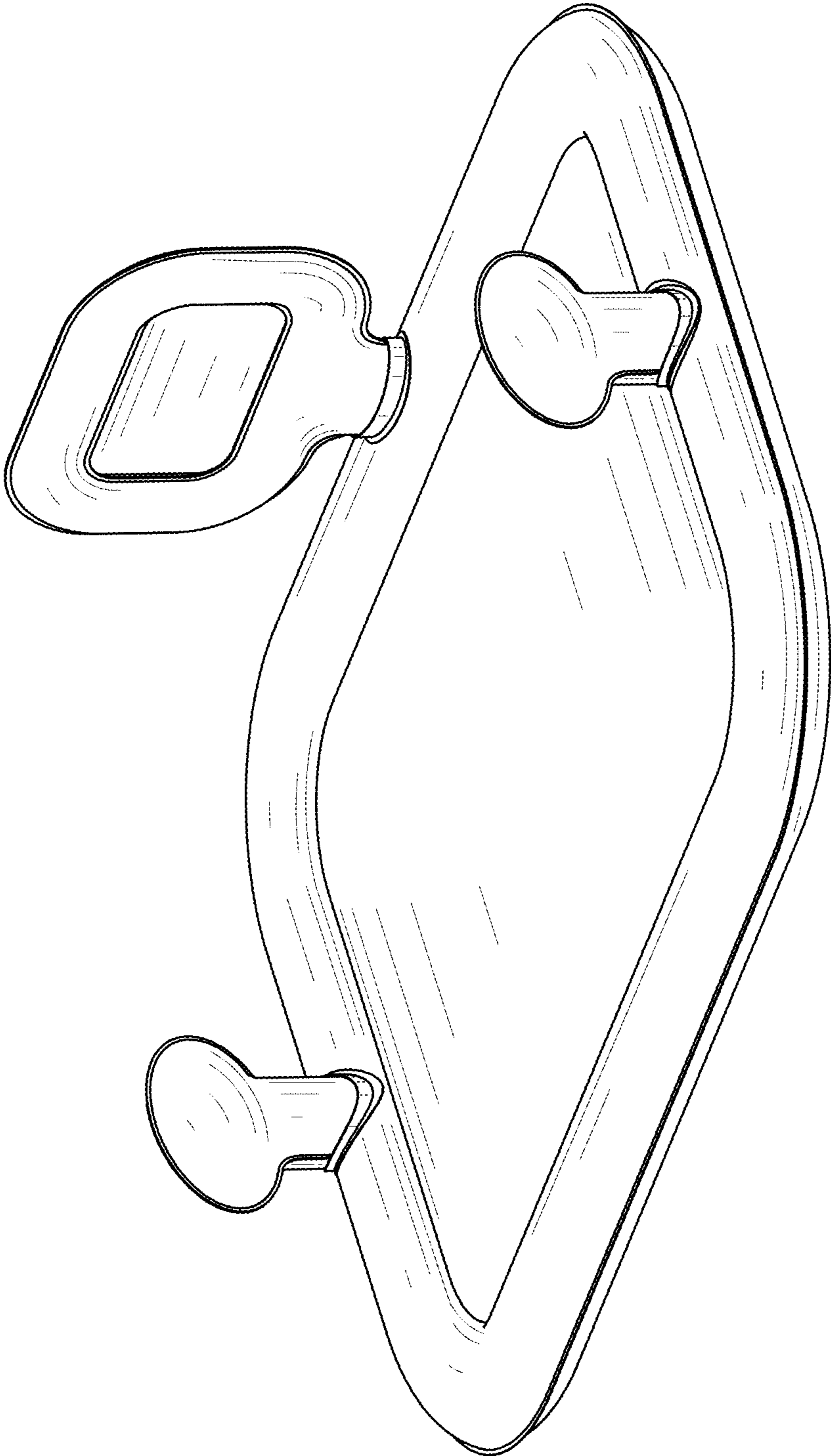


FIG. 1

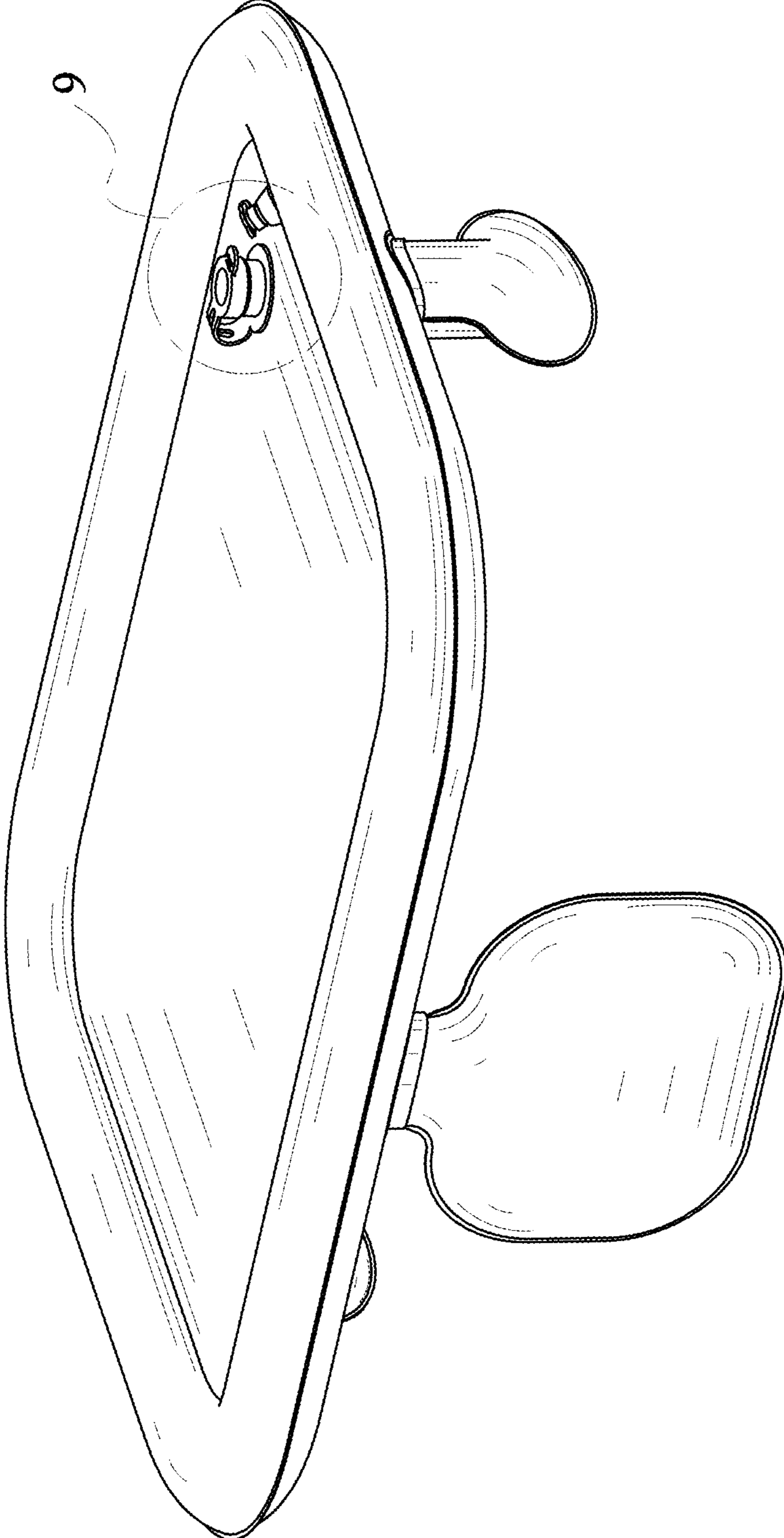


FIG. 2

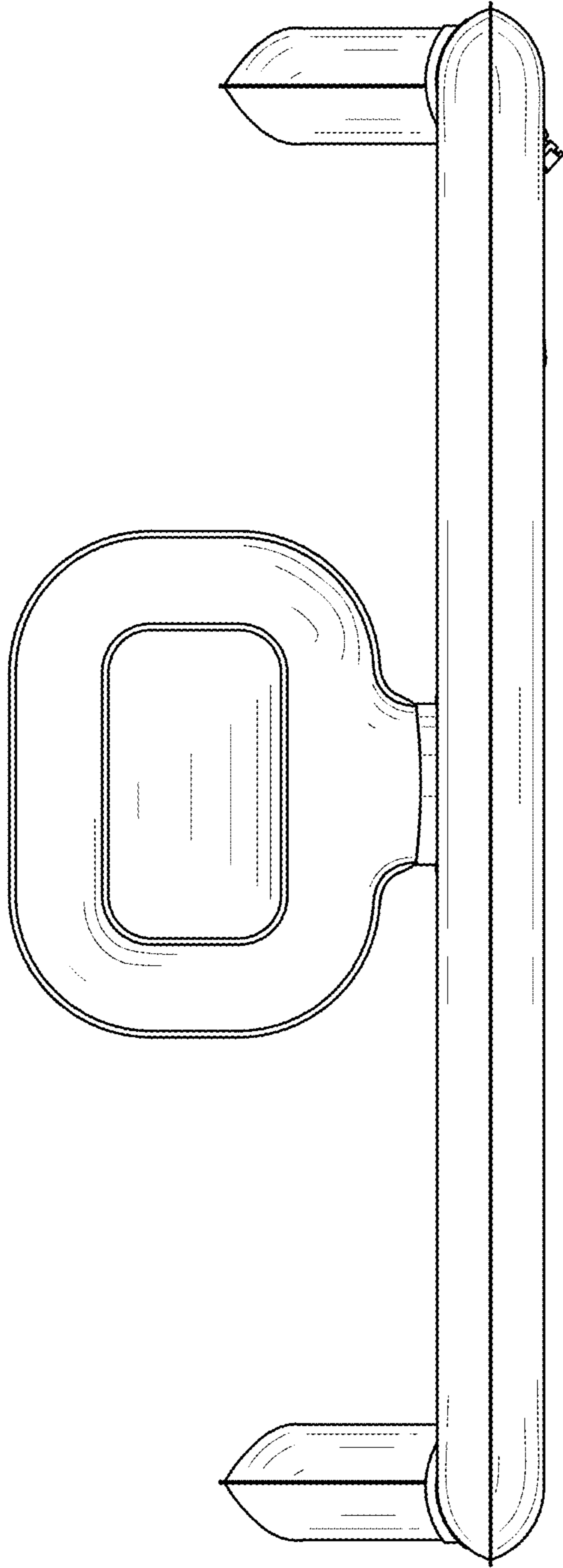


FIG. 3

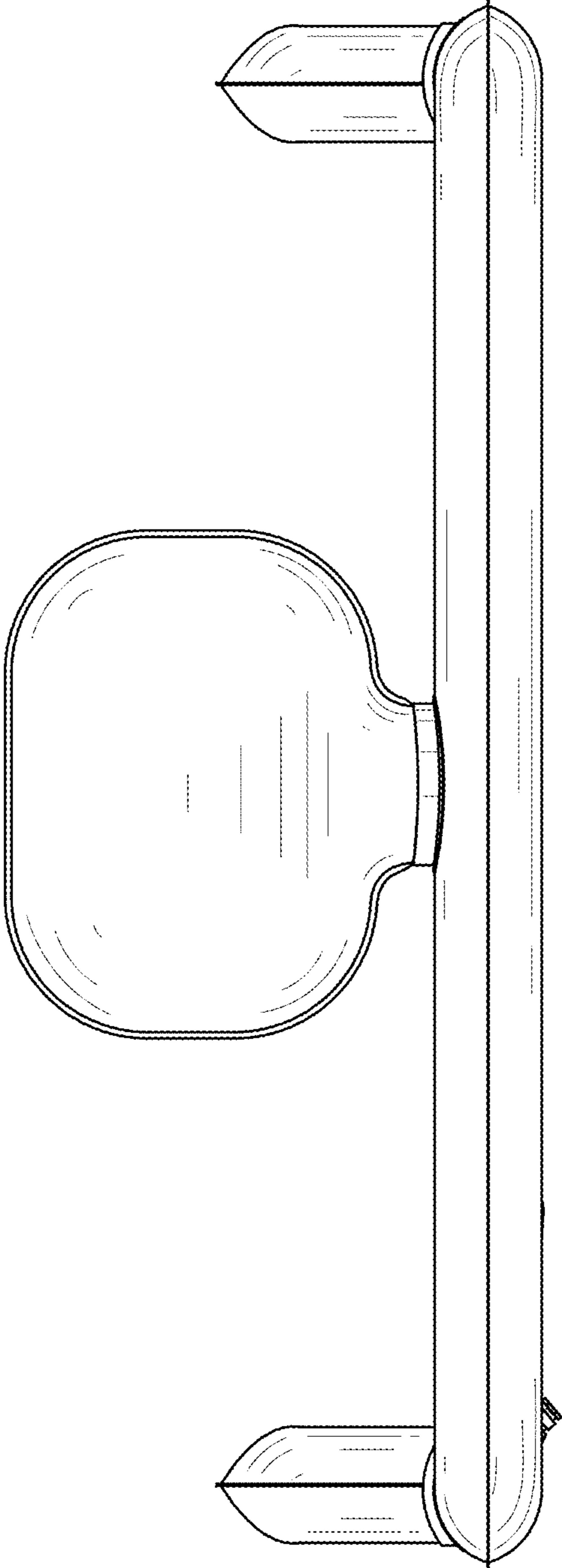


FIG. 4

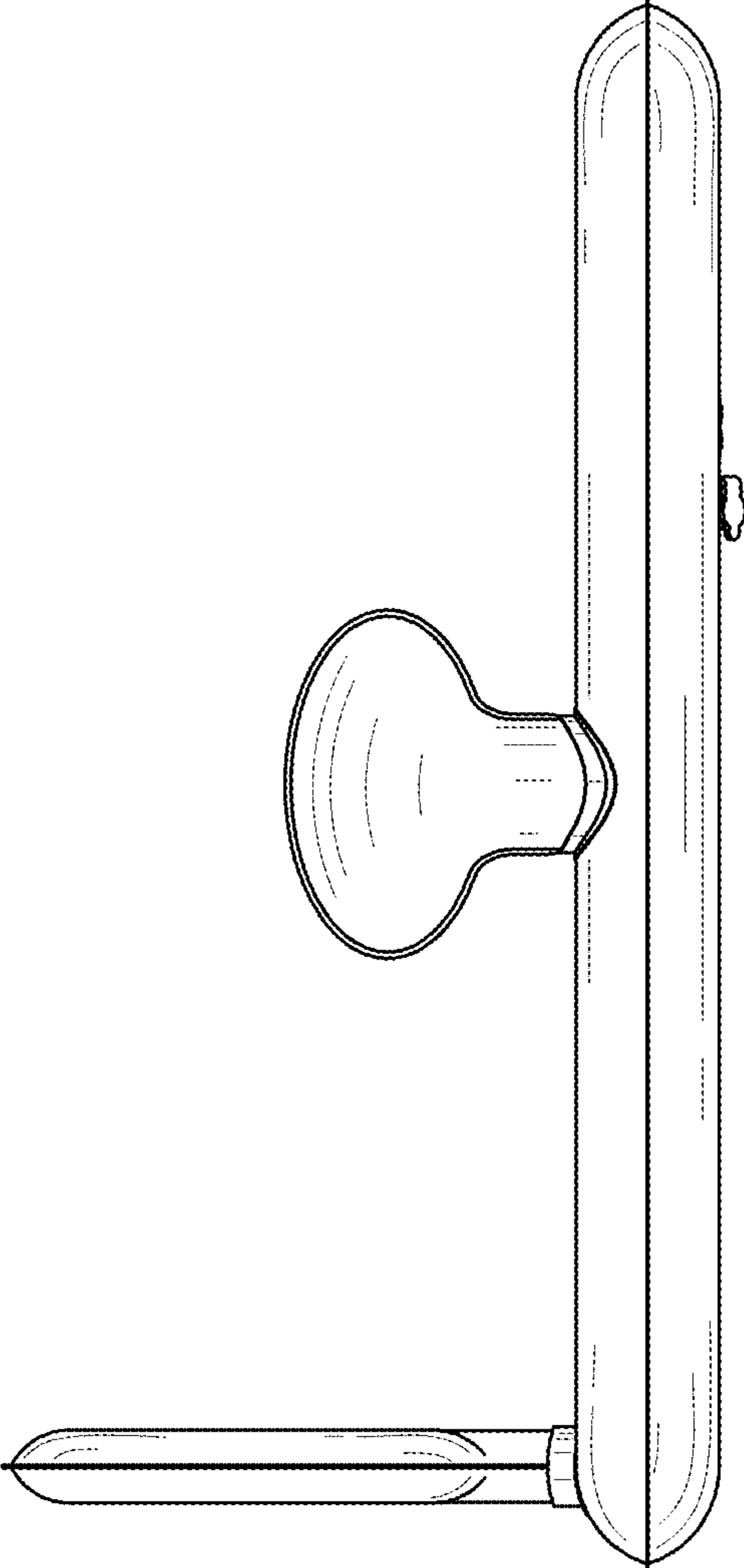


FIG. 5

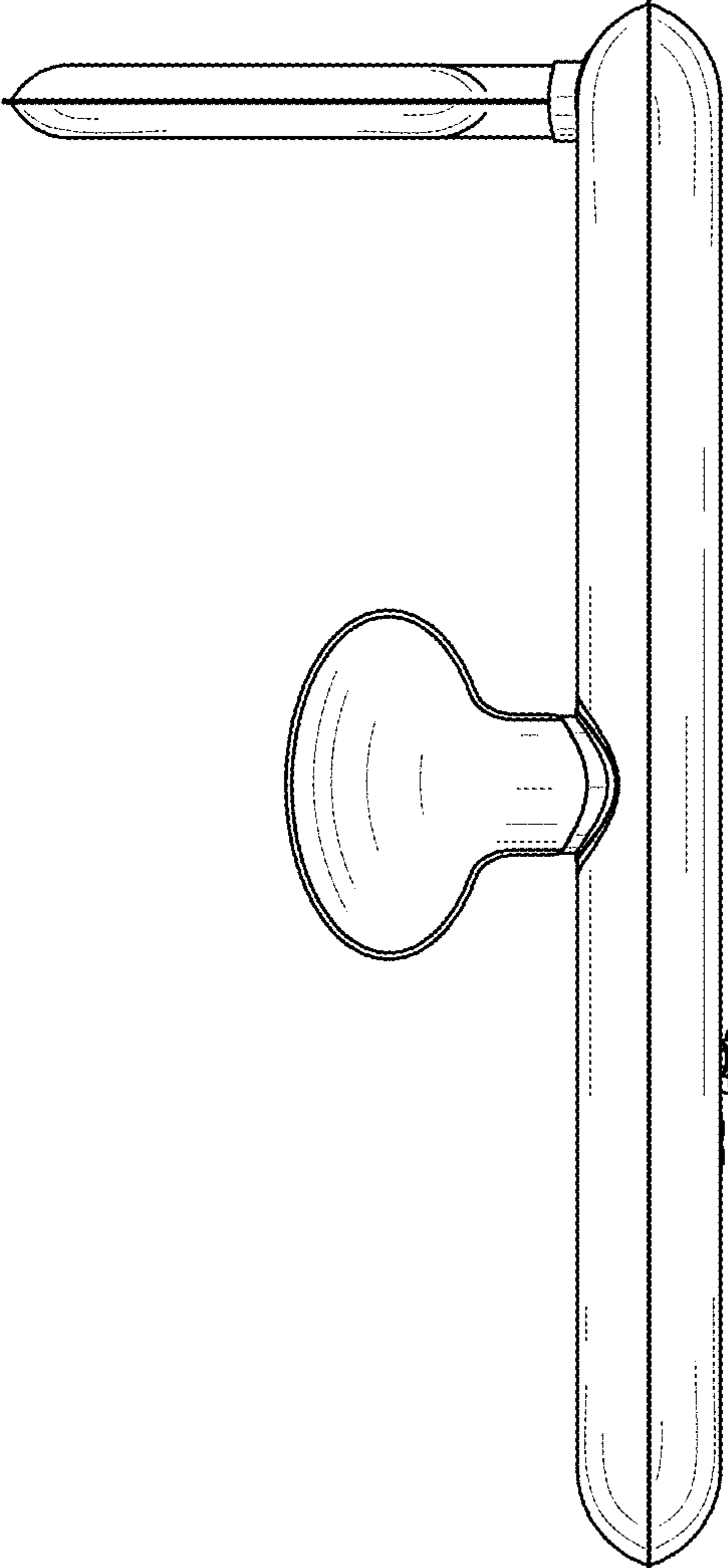


FIG. 6

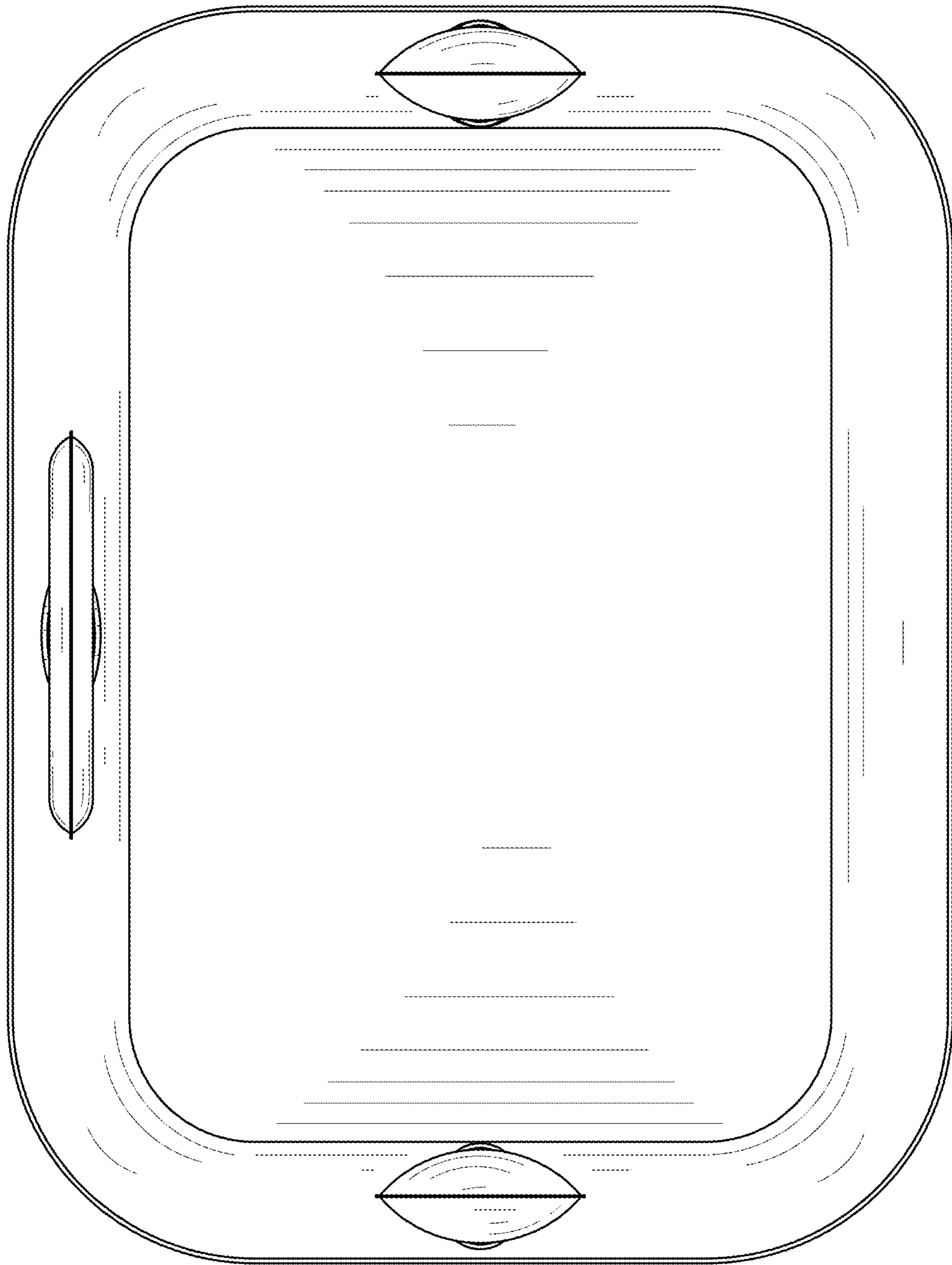


FIG. 7

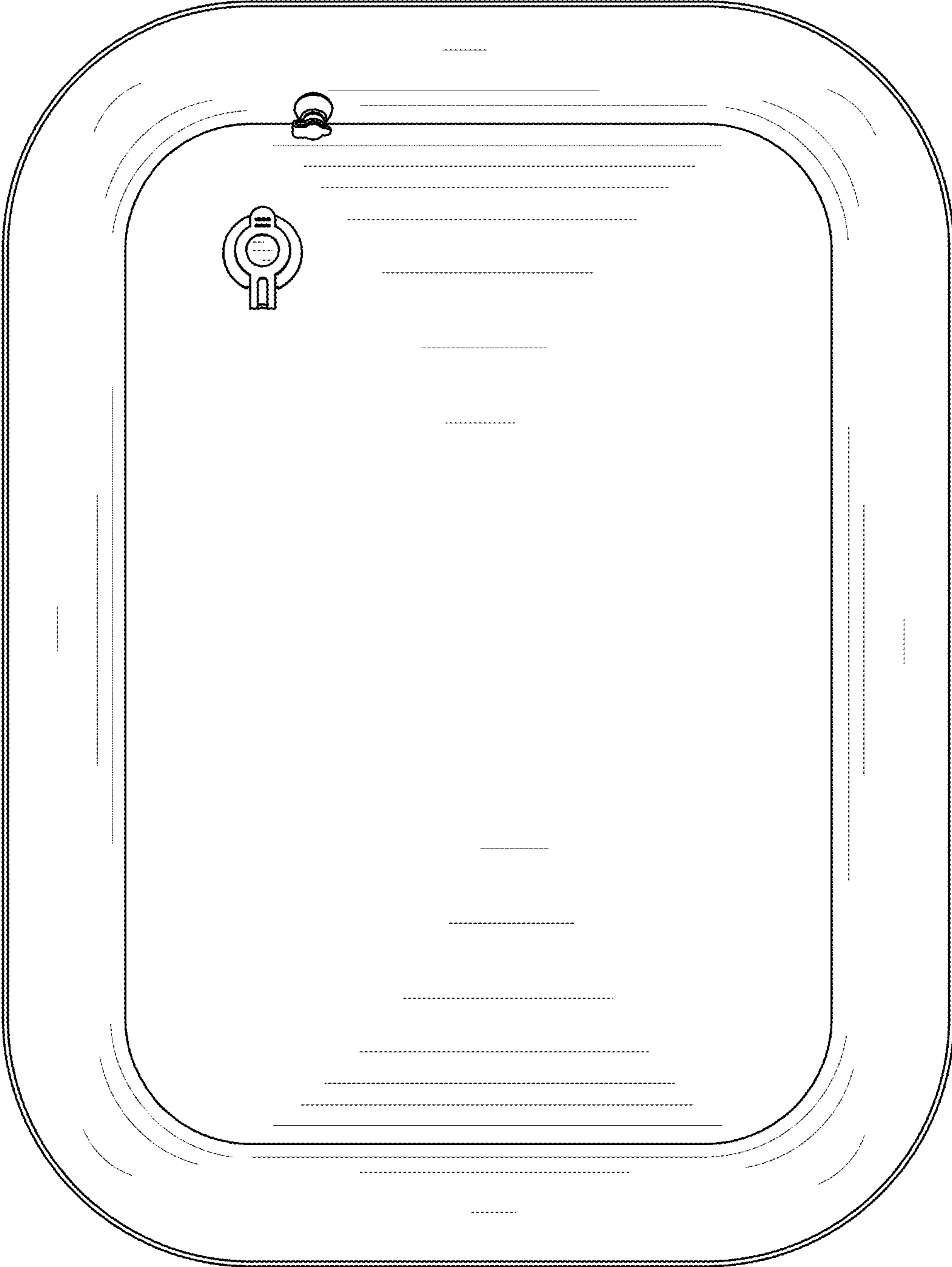


FIG. 8

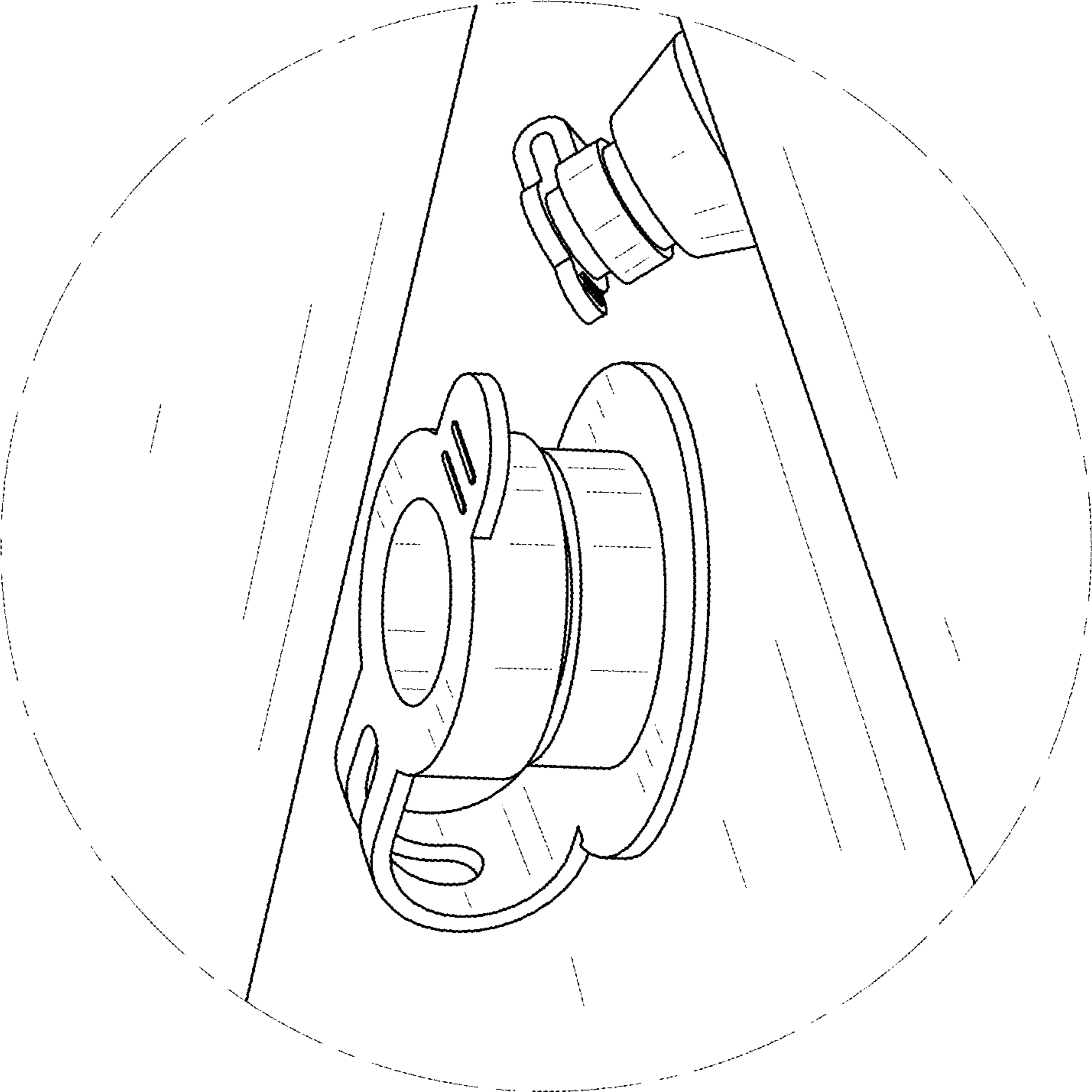


FIG. 9