



US00D953045S

(12) **United States Design Patent**
Ho et al.

(10) **Patent No.:** **US D953,045 S**
(45) **Date of Patent:** **** May 31, 2022**

- (54) **PLASTIC HOOK FOR PAPER HANGER**
- (71) Applicant: **Sourcing Solutions International Limited**, Kowloon (HK)
- (72) Inventors: **Leung Ho**, Kowloon (HK); **Chi Man Leung**, Kowloon (HK); **Michael W. Dezelon**, Paradise Valley, AZ (US)
- (73) Assignee: **Sourcing Solutions International Limited**, Kowloon (HK)
- (**) Term: **15 Years**
- (21) Appl. No.: **29/775,565**
- (22) Filed: **Mar. 24, 2021**
- (51) **LOC (13) Cl.** **06-08**
- (52) **U.S. Cl.**
USPC **D6/328**
- (58) **Field of Classification Search**
USPC D6/315-328; D9/455
CPC ... A47F 5/0006; A47F 5/0876; B65D 5/4208;
B65D 31/04; B65D 33/14; B65D 75/56
See application file for complete search history.

(56) **References Cited**

U.S. PATENT DOCUMENTS

- 3,310,272 A * 3/1967 Brunger B65D 85/18
211/113
- D245,748 S * 9/1977 Ostroll D6/315
- 4,943,026 A * 7/1990 Fildan B65D 25/22
24/561
- 5,085,358 A * 2/1992 Lam A47G 25/442
223/89
- 5,261,580 A * 11/1993 Smith A47G 25/483
223/DIG. 2
- 5,735,395 A * 4/1998 Lo B65D 33/1683
383/68
- 7,703,735 B2 * 4/2010 Fryer A47F 5/0006
24/372

- 8,302,926 B2 * 11/2012 Gouldson B65D 75/56
248/340
- D755,529 S * 5/2016 Schlang D8/367
- D798,695 S * 10/2017 Davison D8/367
- D839,614 S * 2/2019 Ho D6/328
- D885,909 S * 6/2020 Franzone, Jr. D9/455
- 11,019,951 B2 * 6/2021 Wright A47G 25/4023
- 2005/0018931 A1 * 1/2005 Shrader B65D 33/14
383/23
- 2011/0284597 A1 * 11/2011 Kaleta A47G 25/4023
223/85
- 2012/0026453 A1 * 2/2012 Norman A47F 7/0243
351/155
- 2013/0200113 A1 * 8/2013 Tashkin A47G 25/40
223/85
- 2014/0252048 A1 * 9/2014 Mainetti A47G 25/40
223/85

* cited by examiner

Primary Examiner — Lauren R Calve

(74) *Attorney, Agent, or Firm* — Schroeder Law PC

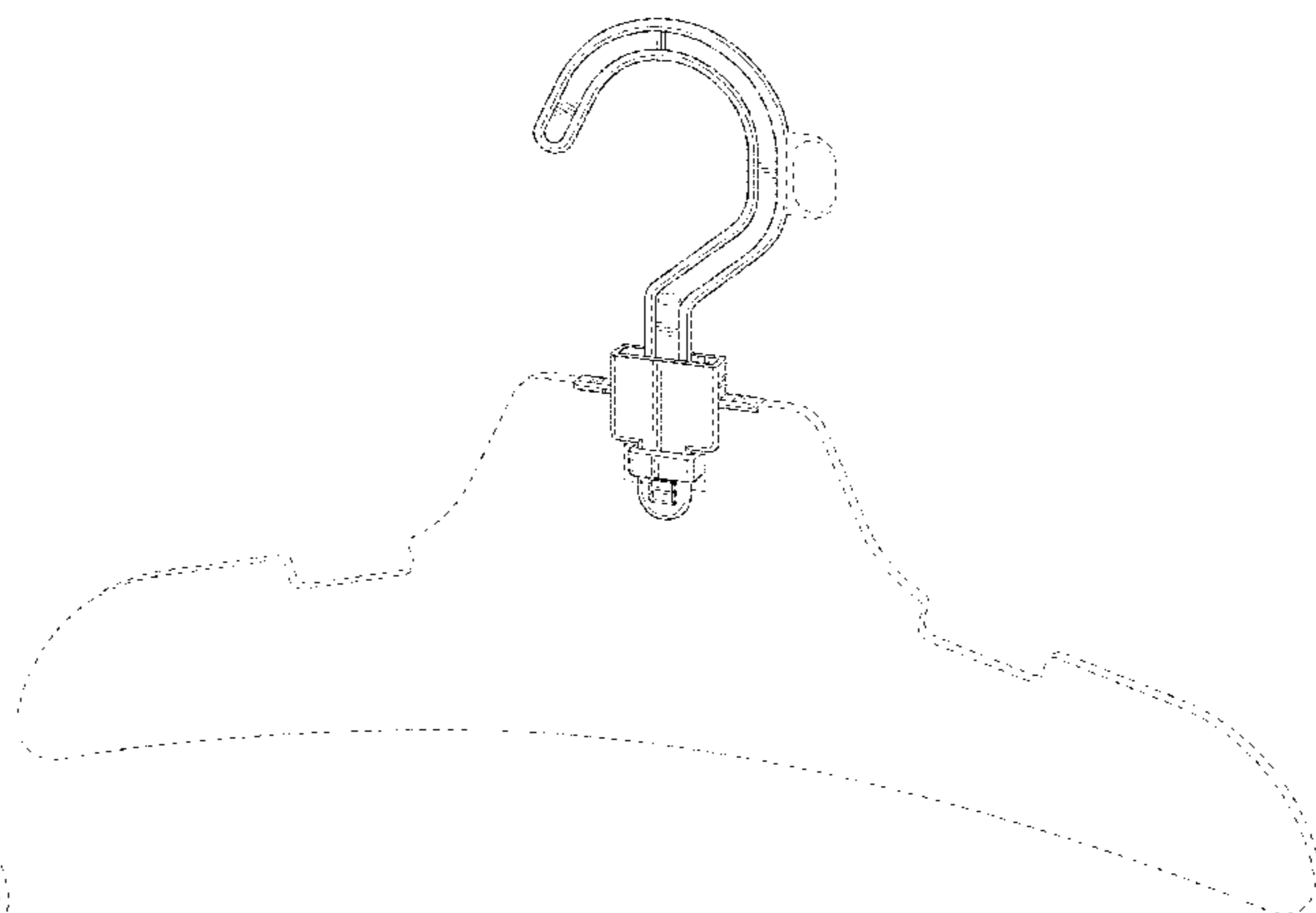
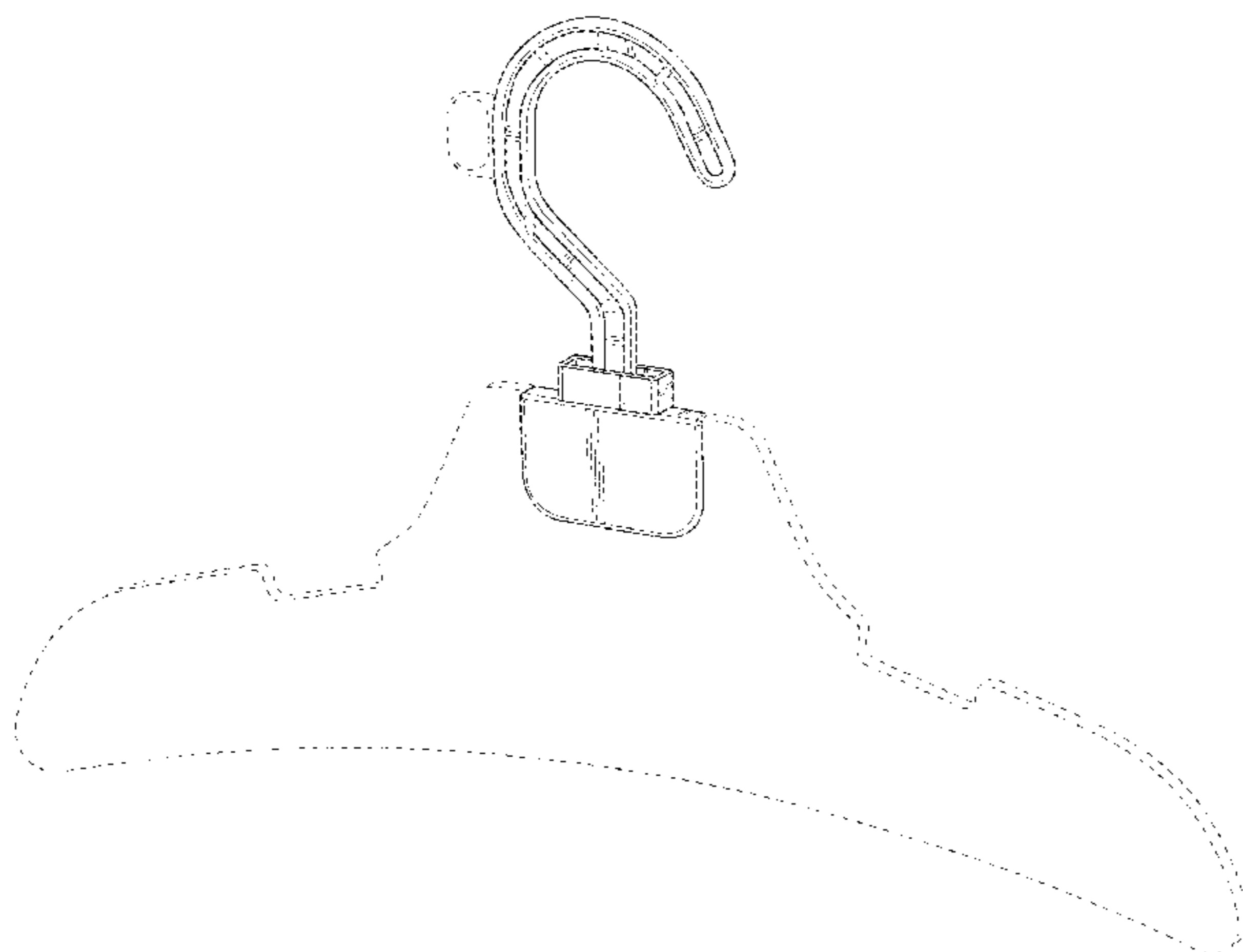
(57) **CLAIM**

The ornamental design for a plastic hook for paper hanger, as shown and described.

DESCRIPTION

FIG. 1 is a front perspective view of a plastic hook for paper hanger showing our new design;
 FIG. 2 is a rear perspective view thereof;
 FIG. 3 is an enlarged front elevation view thereof;
 FIG. 4 is an enlarged rear elevation view thereof;
 FIG. 5 is an enlarged right side elevation view thereof;
 FIG. 6 is an enlarged left side elevation view thereof;
 FIG. 7 is an enlarged top view thereof; and,
 FIG. 8 is an enlarged bottom view thereof.
 The broken lines shown represent portions of the plastic hook for paper hanger and environmental subject matter that form no part of the claimed design.

1 Claim, 6 Drawing Sheets



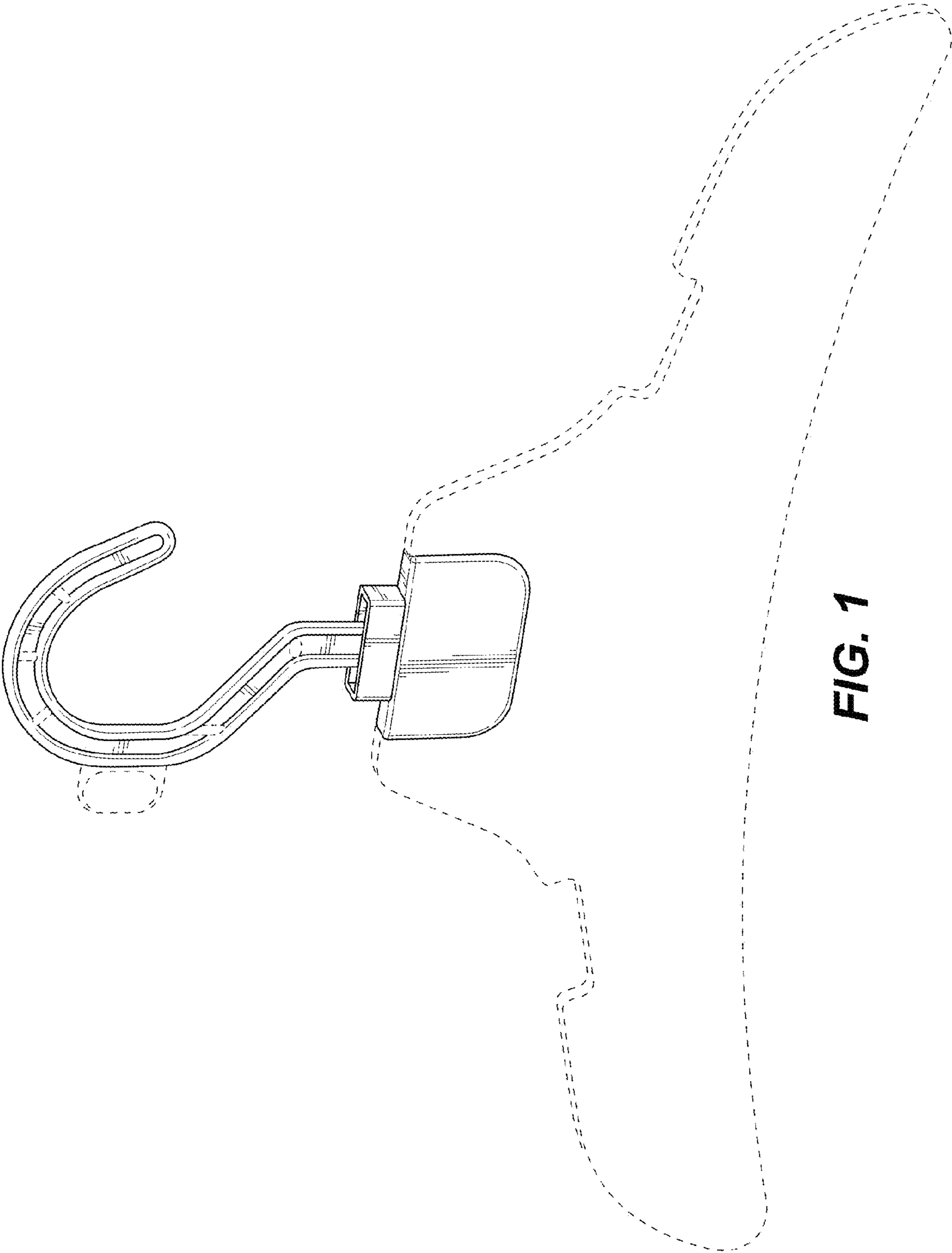


FIG. 1

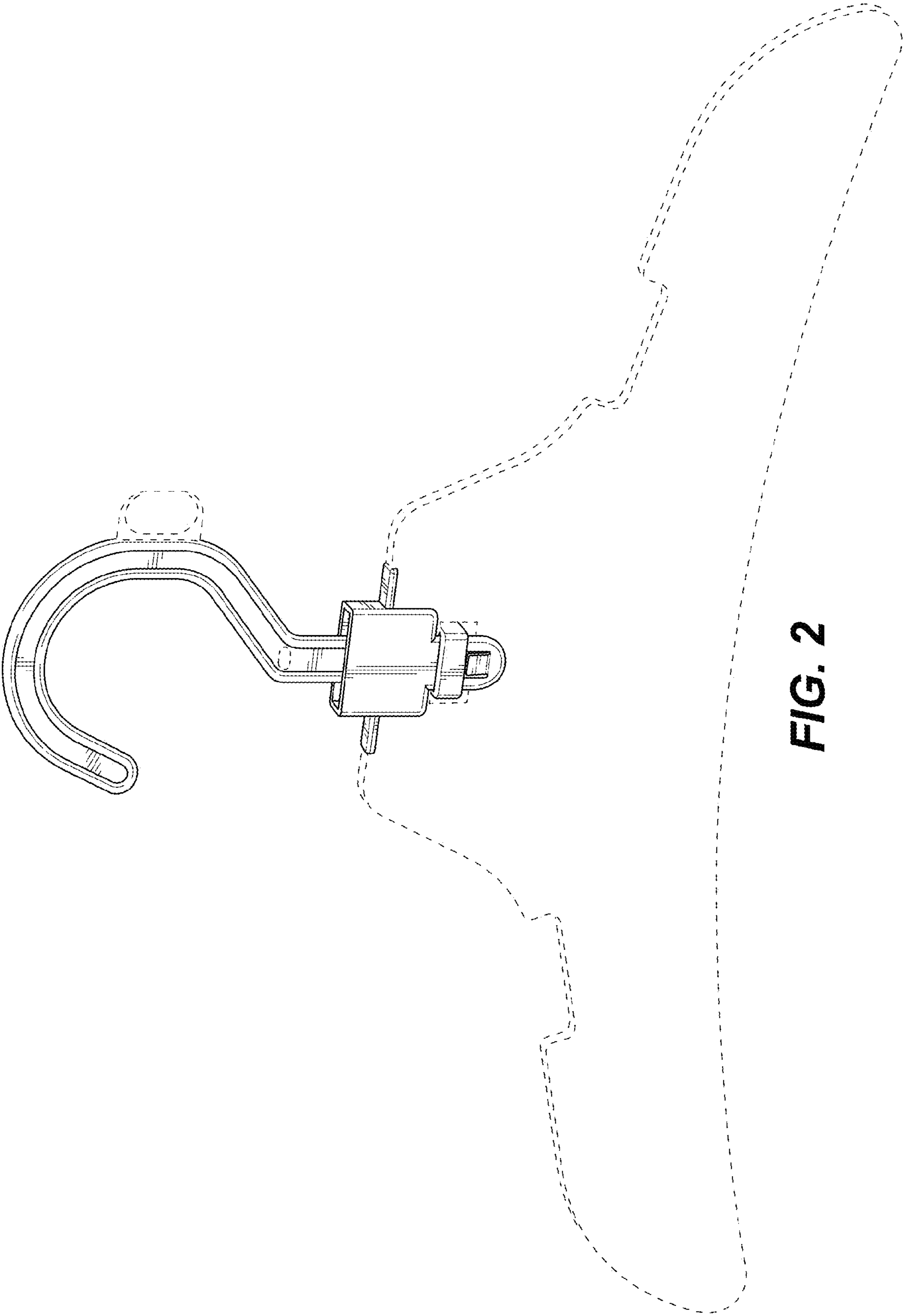


FIG. 2

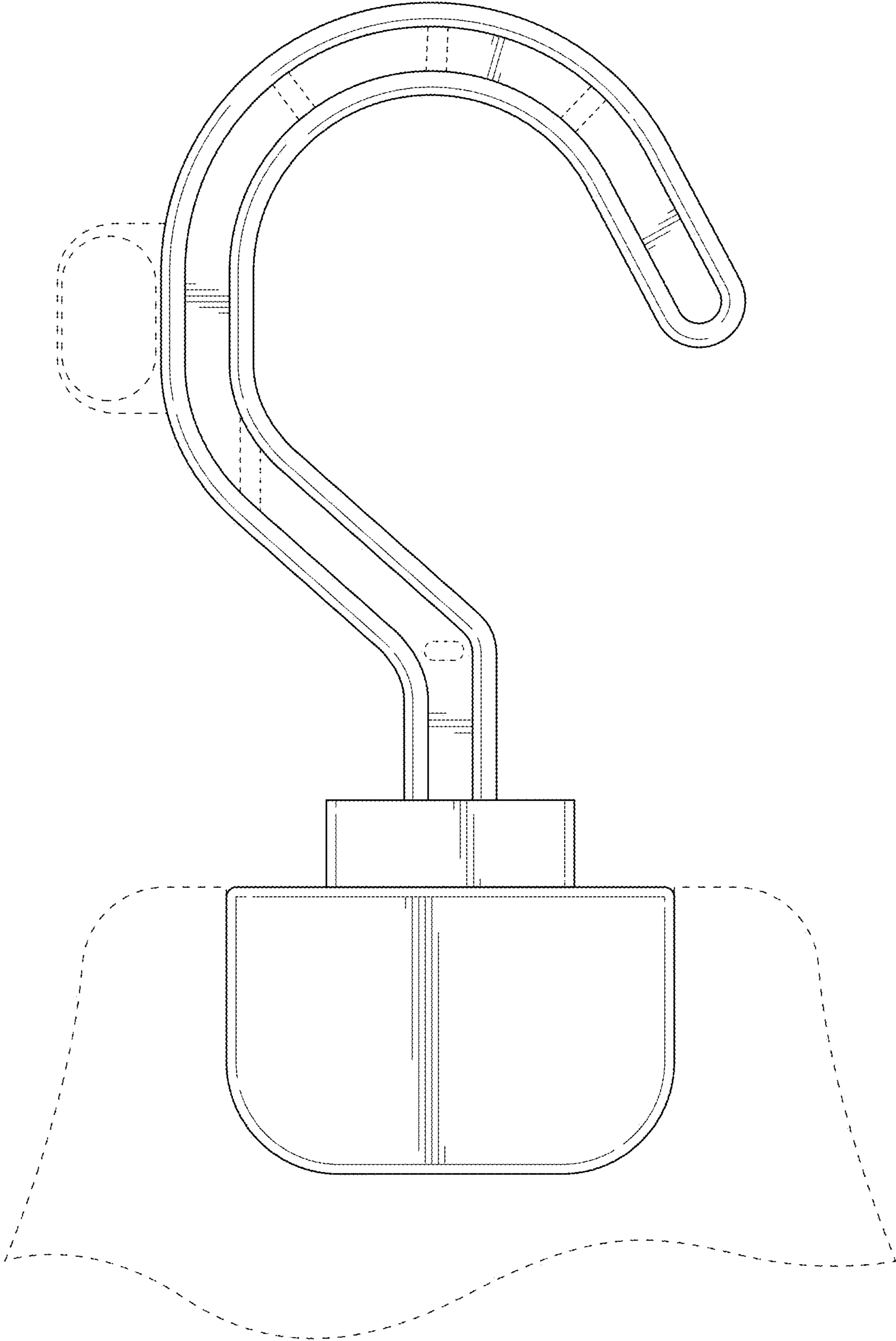


FIG. 3

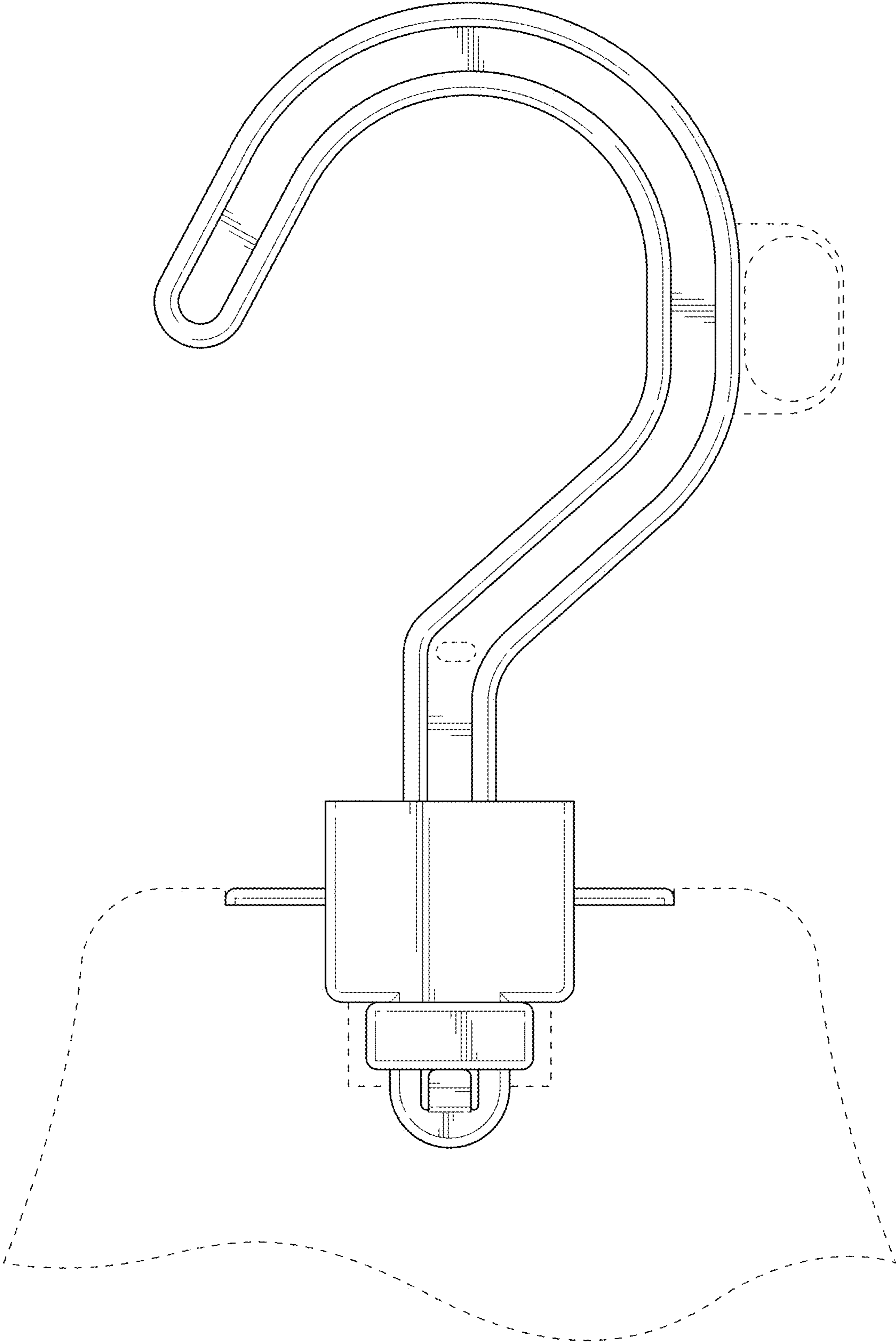


FIG. 4

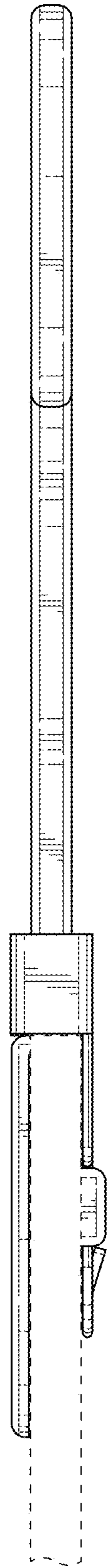


FIG. 5

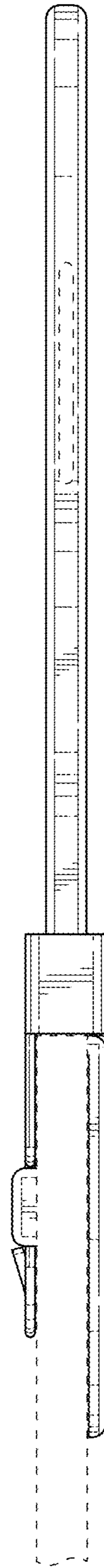


FIG. 6

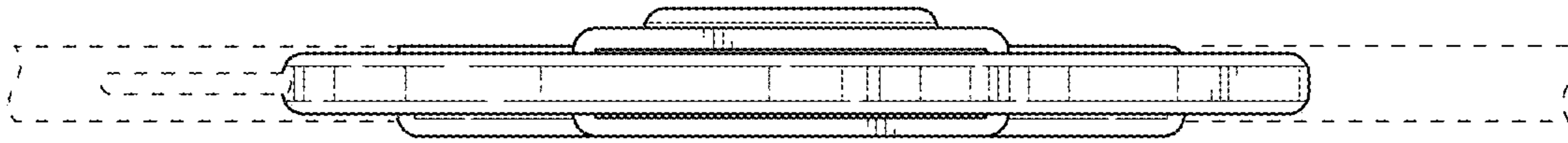


FIG. 7

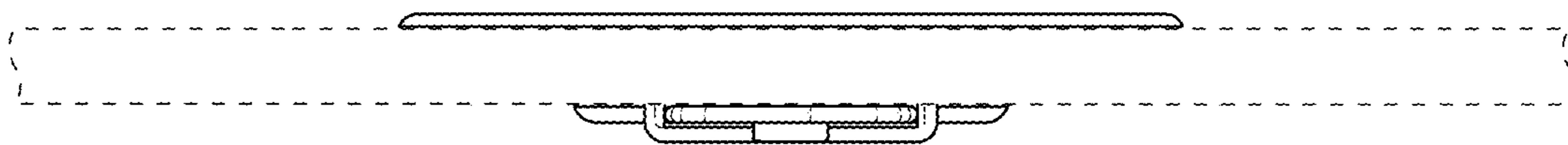


FIG. 8