



US00D953042S

(12) **United States Design Patent**
Kan

(10) **Patent No.:** **US D953,042 S**

(45) **Date of Patent:** **** May 31, 2022**

(54) **SILICONE FACE CLEANING BRUSH**

FOREIGN PATENT DOCUMENTS

(71) Applicant: **Lohas Silicone Rubber Co., Ltd,**
Shenzhen (CN)

CN 304680099 * 6/2018
CN 304780892 * 8/2018
CN 304823060 * 9/2018

(72) Inventor: **Guangmin Kan,** Mingguang (CN)

(**) Term: **15 Years**

OTHER PUBLICATIONS

(21) Appl. No.: **29/752,759**

Super Soft Silicone Face Scrubber by Lohas Silicone Rubbert Co., Ltd. [on-line]. [Original date of publication unknown.] [Retrieved from the Internet Nov. 6, 2021.] URL: >lohas-life.en.alibaba.com/product/1600210401863-806996542/Super_Soft_Silicone_Face_Scrubber_Clean_Brush_for_Exfoliate_Blackheads_Removing_Handheld_Sensitive_Delicate_Dry_Skin.html?spm=a2700.shop_plser.41413.31.25a36e94wn8nox (Year: 2021).*

(22) Filed: **Sep. 29, 2020**

(51) **LOC (13) Cl.** **04-02**

(52) **U.S. Cl.**
USPC **D4/120; D4/128**

(58) **Field of Classification Search**

USPC D4/100, 102, 121, 127, 126, 128, 129,
D4/130, 132, 133, 134, 135, 136, 138,
D4/199; D24/211, 214, 215; D30/158,
D30/159, 160; D32/35
CPC A46B 2200/1006; A46B 2200/102; A46B
2200/10

* cited by examiner

Primary Examiner — Karen E Eldridge Powers

See application file for complete search history.

(57) **CLAIM**

The ornamental design for a silicone face cleaning brush, as shown and described.

(56) **References Cited**

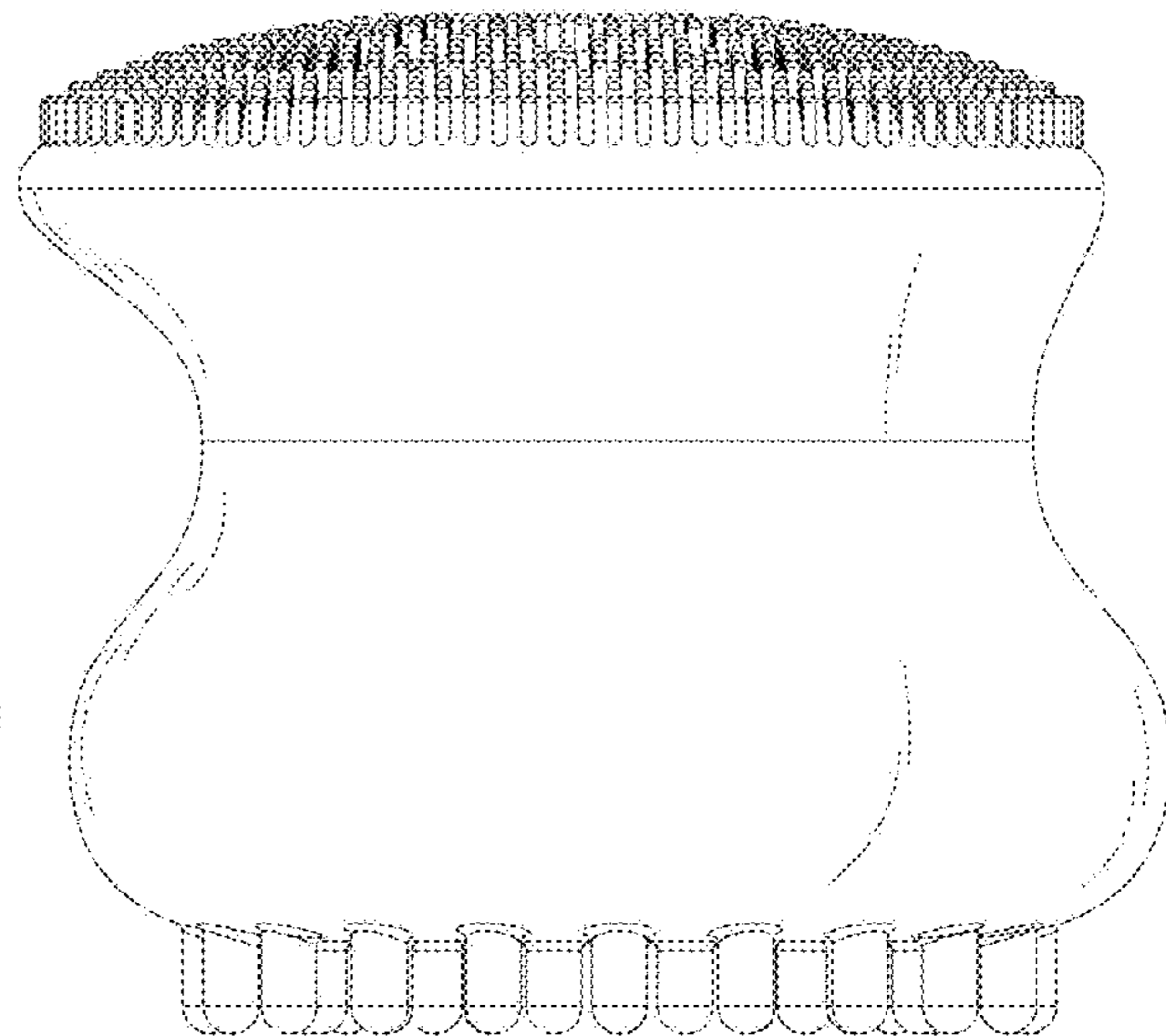
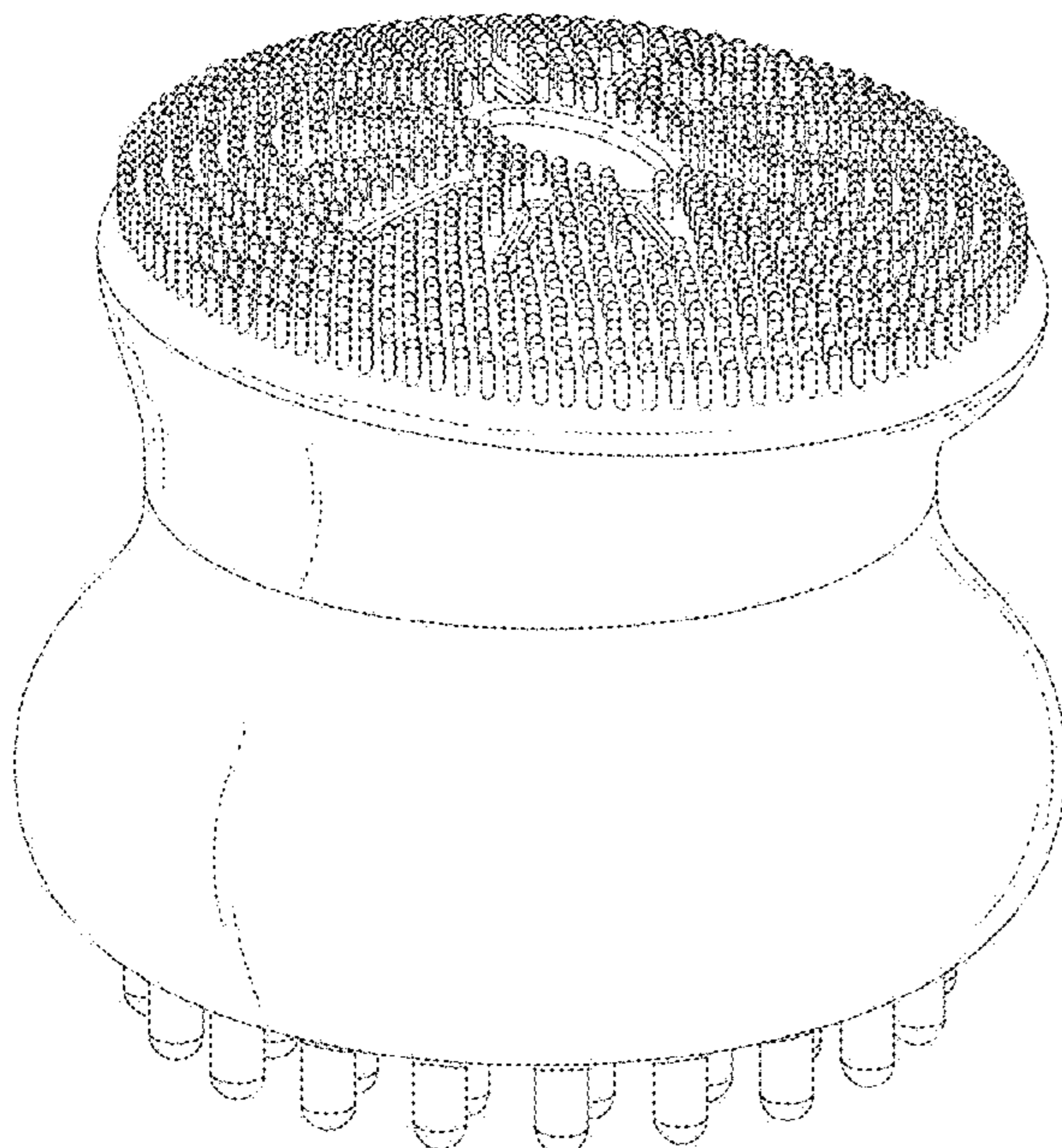
DESCRIPTION

U.S. PATENT DOCUMENTS

6,098,233	A *	8/2000	Chen	A46B 7/04
					15/110
7,500,282	B1 *	3/2009	Park	A47K 7/02
					15/160
D699,903	S *	2/2014	Singer	D30/159
9,125,481	B2 *	9/2015	Watanabe	A61H 7/003
D767,226	S *	9/2016	Albers	D32/35
D795,593	S *	8/2017	Huang	D4/127
D812,379	S *	3/2018	Ng	D4/120
D821,040	S *	6/2018	Loibl	D30/160
D849,263	S *	5/2019	Soutelo Gomes	D24/215
D882,273	S *	4/2020	Kling	D4/127
D897,688	S *	10/2020	Li	D4/128
D902,491	S *	11/2020	de la Cruz	D28/63

FIG. 1 is a perspective view of a silicone face cleaning brush showing my new design;
FIG. 2 is a front elevation view thereof;
FIG. 3 is a back elevation view thereof;
FIG. 4 is a left side elevation view thereof;
FIG. 5 is a right side elevation view thereof;
FIG. 6 is a top plan view thereof; and,
FIG. 7 is a bottom plan view thereof.
The broken-line circle shown in FIG. 7 illustrates a feature of the article of manufacture that forms no part of the claimed design.

1 Claim, 7 Drawing Sheets



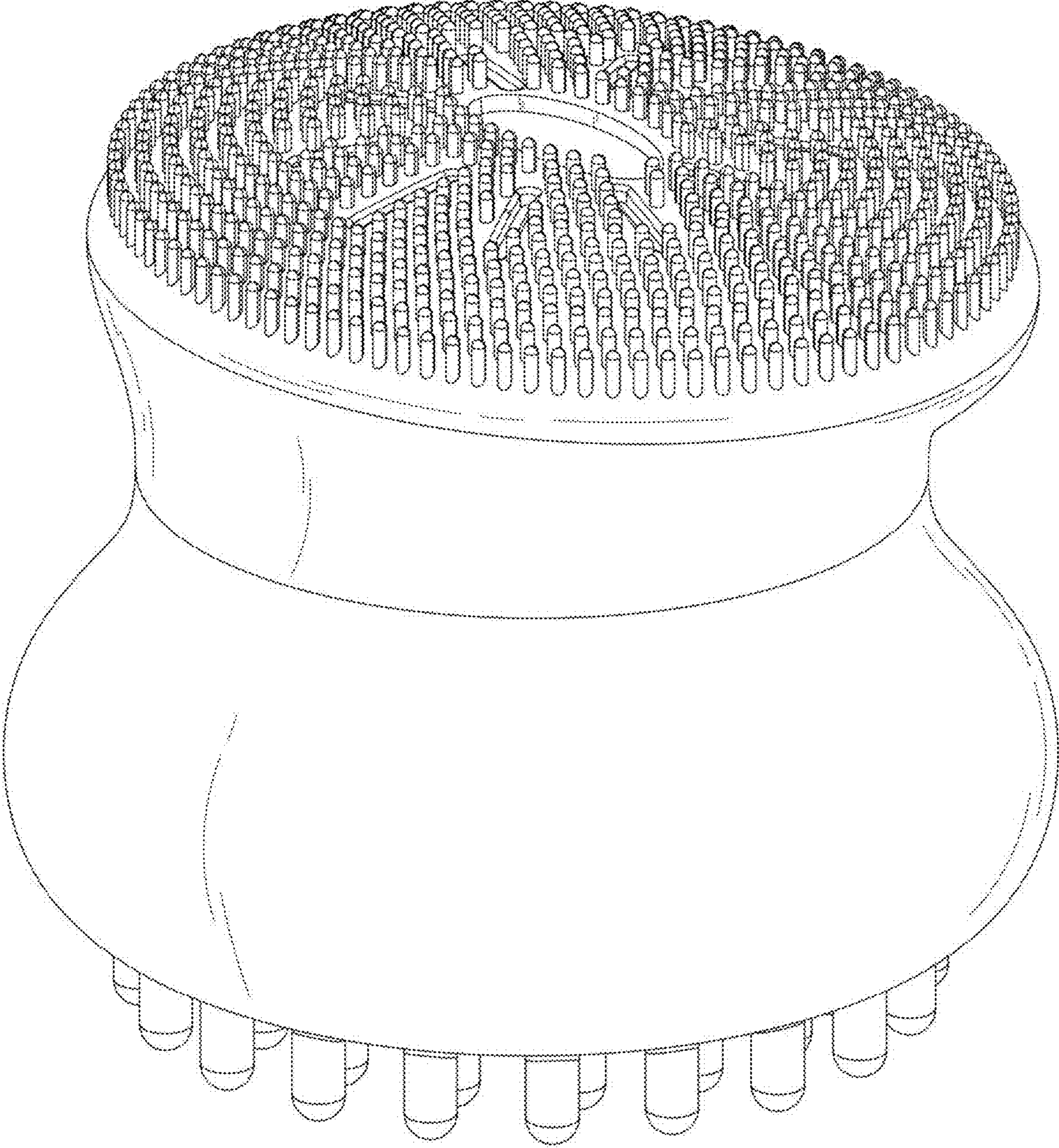


FIG.1

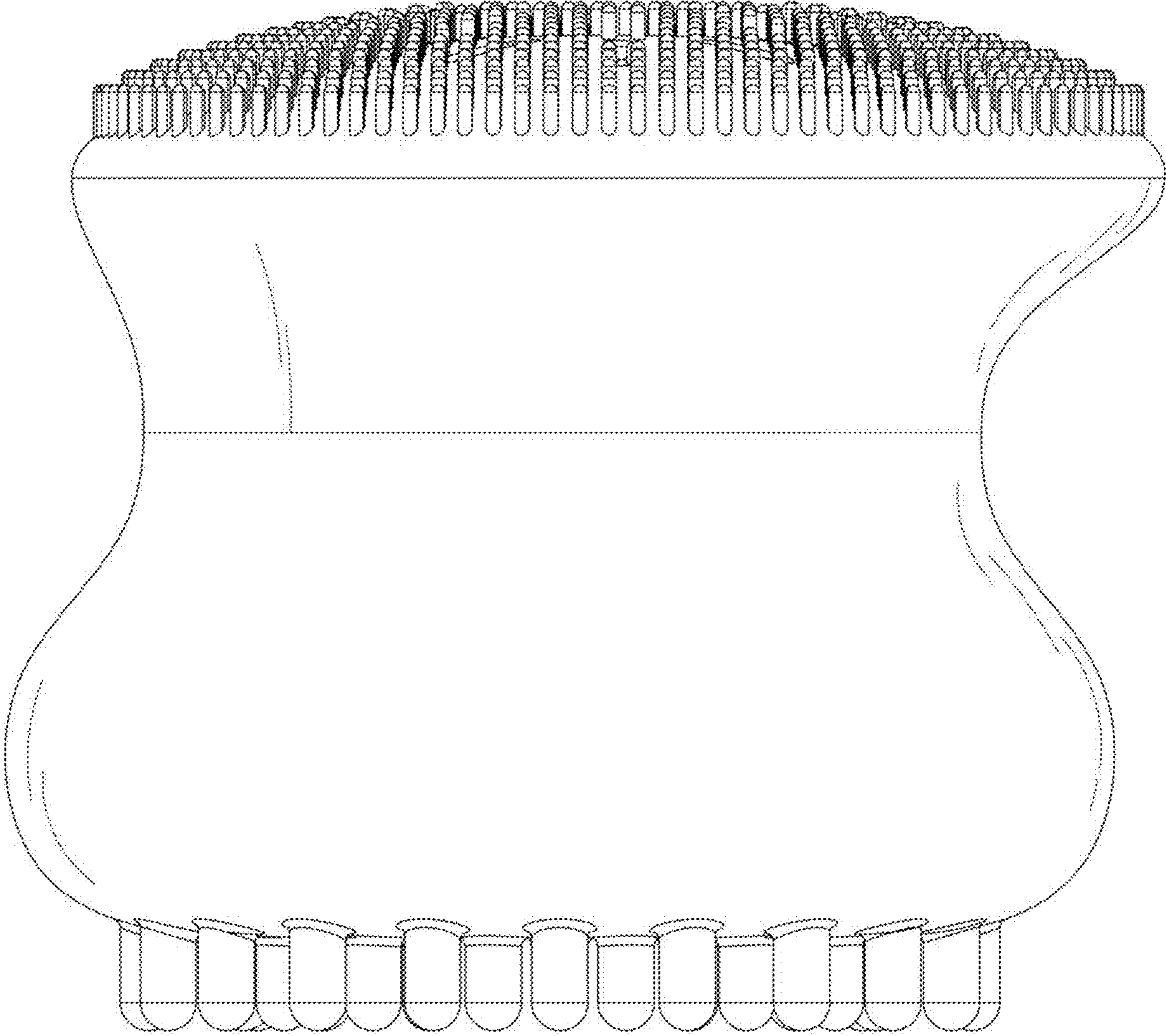


FIG.2

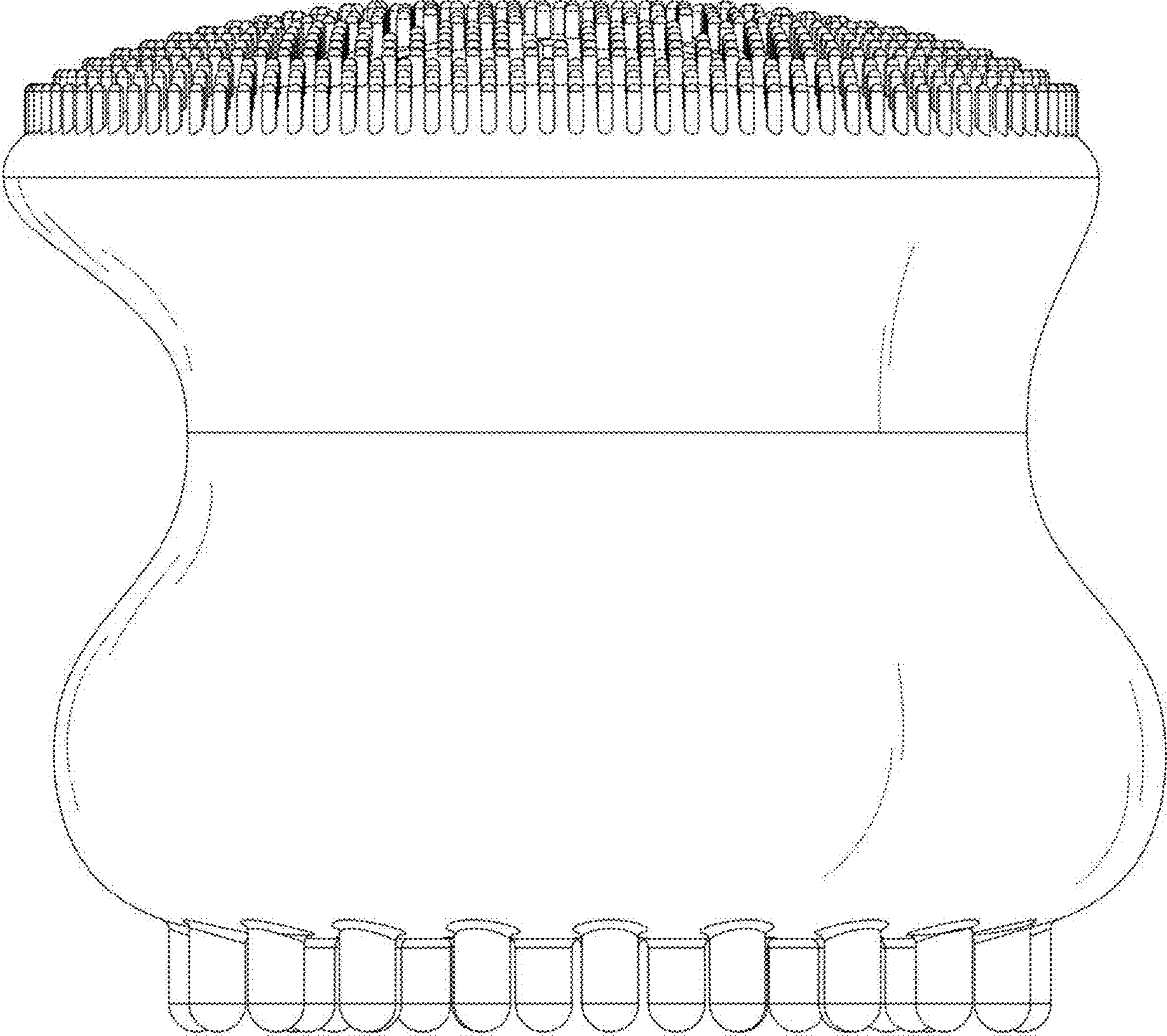


FIG. 3

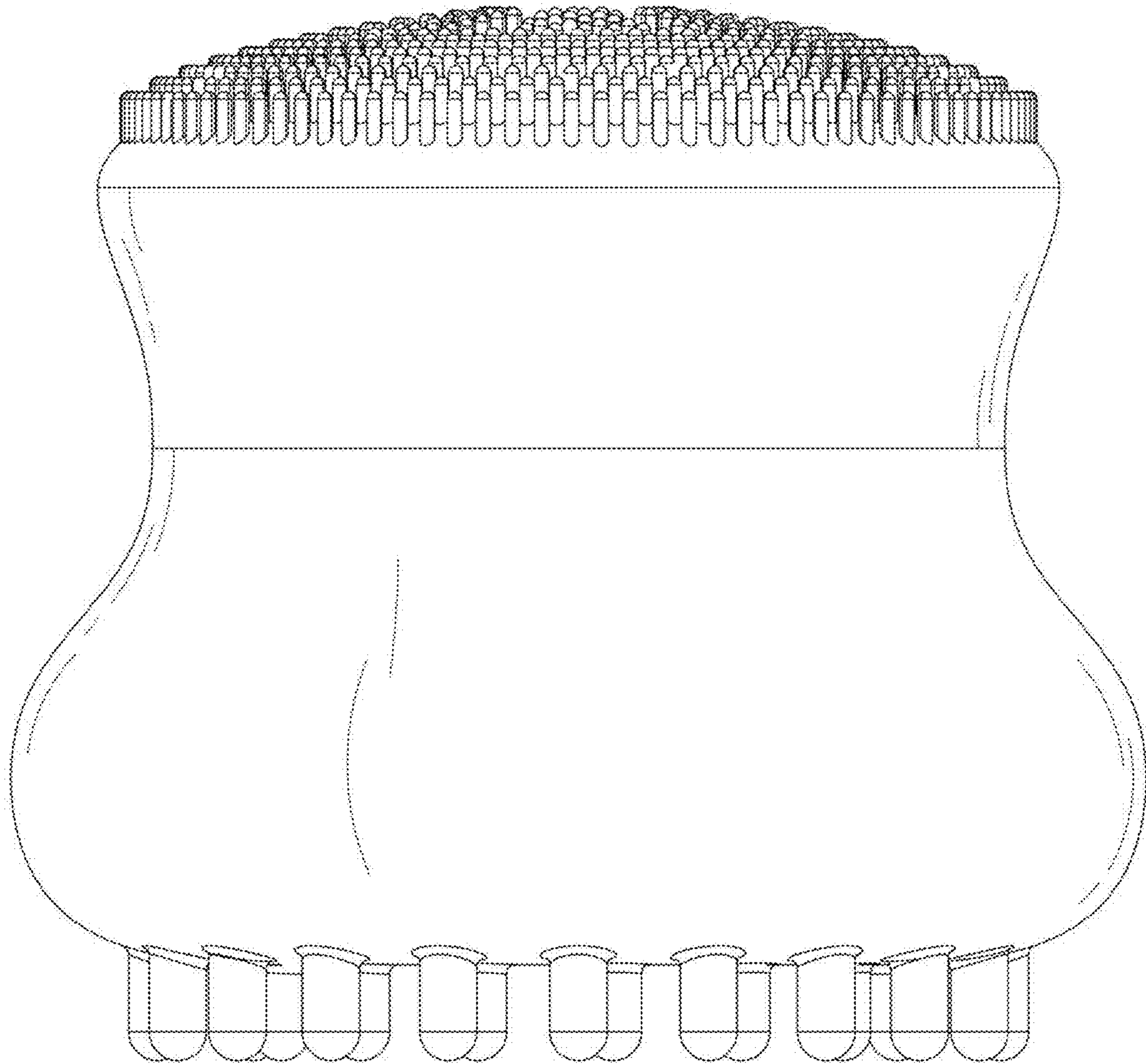


FIG. 4

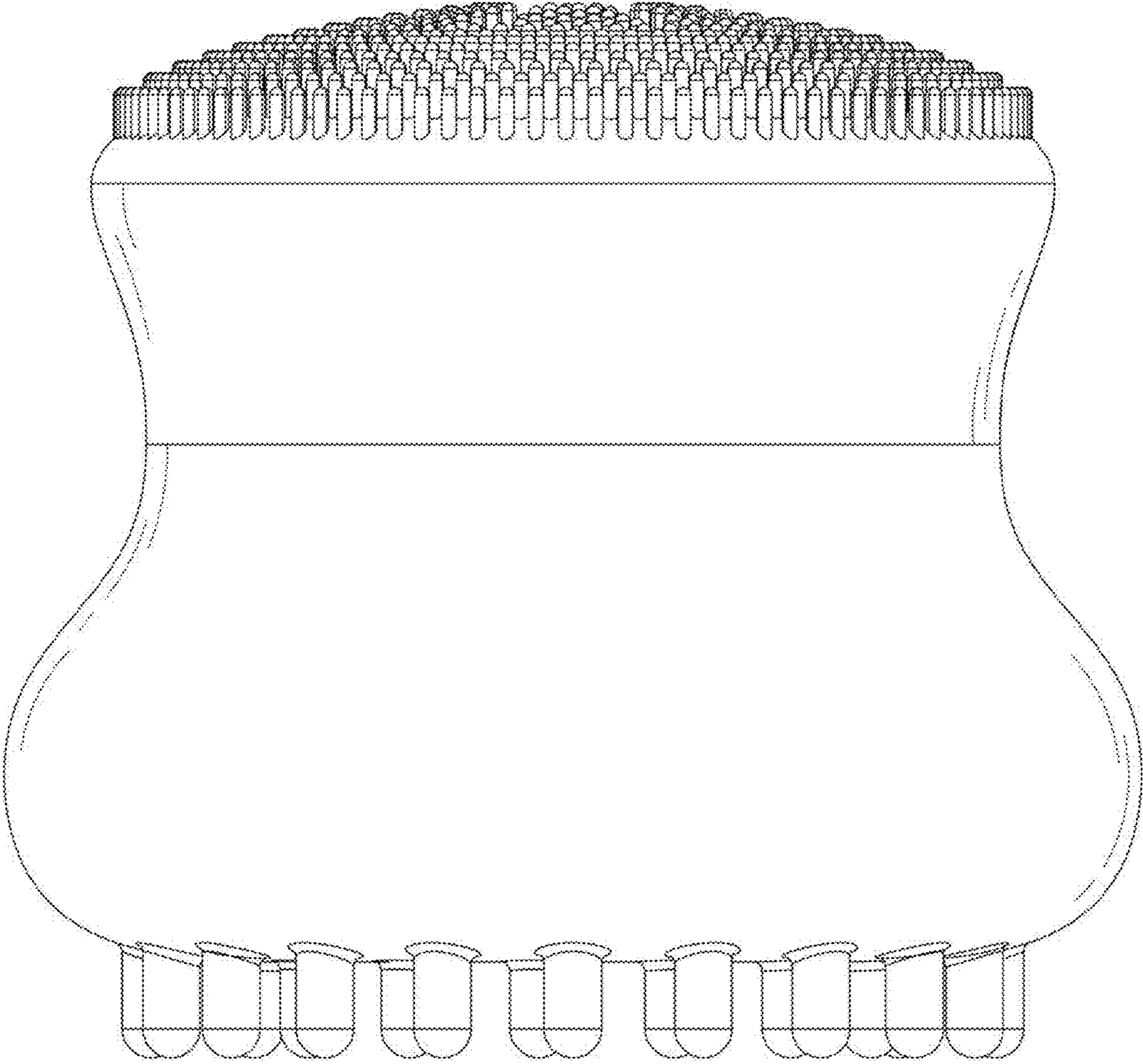


FIG. 5

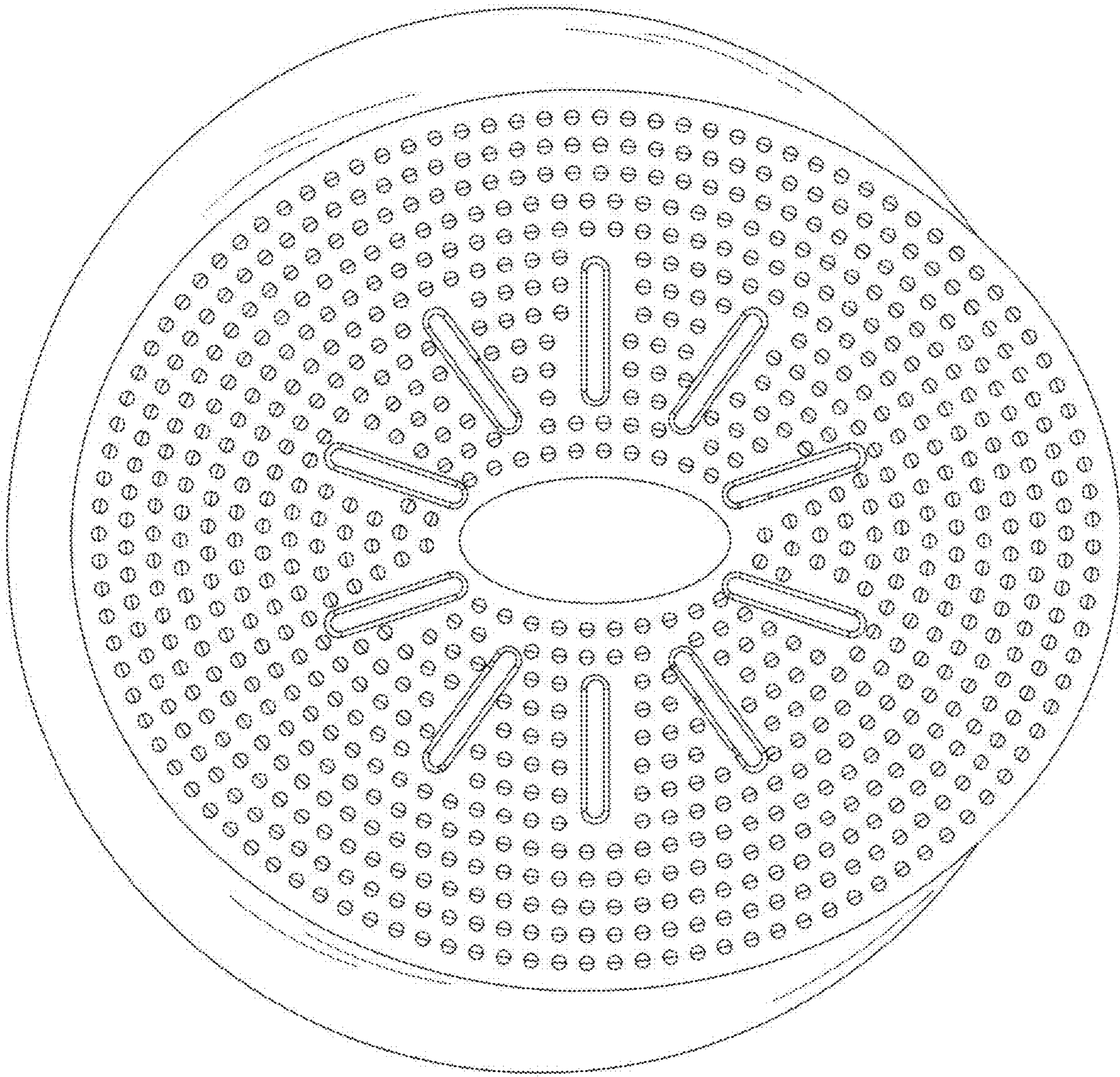


FIG.6

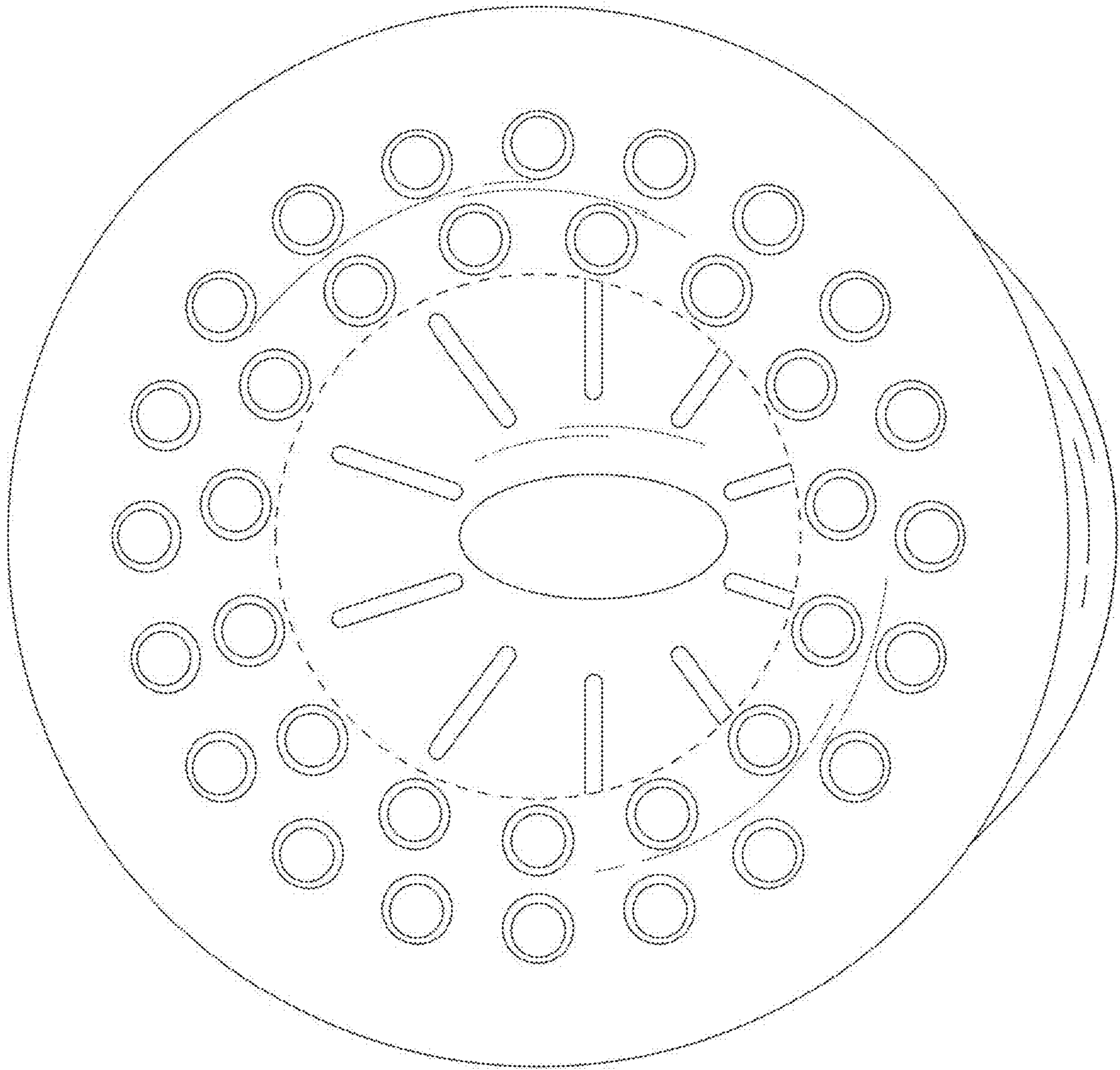


FIG. 7