



US00D953041S

(12) **United States Design Patent** (10) **Patent No.:** **US D953,041 S**
Chen (45) **Date of Patent:** **** May 31, 2022**

(54) **TOILET BRUSH**
(71) Applicant: **Shenzhen Qianhao Technology Co. Ltd, Guangdong (CN)**
(72) Inventor: **Lixin Chen, Guangdong (CN)**
(**) Term: **15 Years**
(21) Appl. No.: **29/802,585**
(22) Filed: **Aug. 6, 2021**
(51) **LOC (13) Cl.** **04-02**
(52) **U.S. Cl.**
USPC **D4/110**
(58) **Field of Classification Search**
USPC D4/104, 138, 128, 132, 134, 120, 102,
D4/100, 137, 111; D32/40; D28/63
CPC A61C 17/222; B25G 1/10; B08B 1/00;
A46B 5/00
See application file for complete search history.

D845,630 S * 4/2019 Sedic D4/100
D873,571 S * 1/2020 Stenson D4/120
D878,058 S * 3/2020 Luo D4/132
D878,768 S * 3/2020 Knudsen D4/138
D909,068 S * 2/2021 Dye D4/134
D912,991 S * 3/2021 Luo D4/102
2015/0121637 A1* 5/2015 Brenner B08B 1/00
15/104.94

OTHER PUBLICATIONS

“Silicone flex review . . . 2020” reference dated Aug. 27, 2020 found by RMS on the internet at: <https://www.youtube.com/watch?v=njosJlzAj4l>.*

* cited by examiner

Primary Examiner — Rhea Shields

(57) **CLAIM**

The ornamental design for a toilet brush, as shown and described.

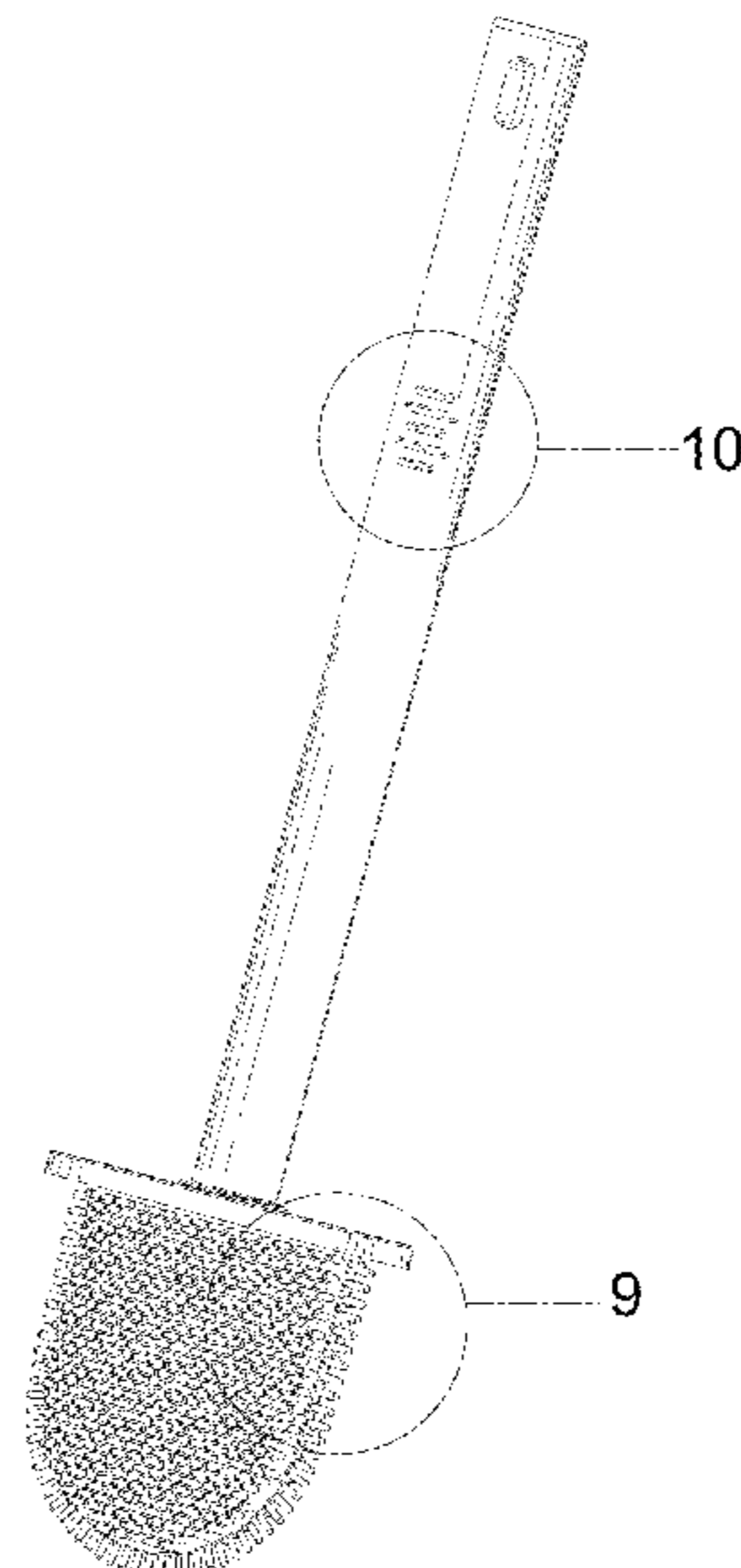
DESCRIPTION

FIG. 1 is a front and top perspective view of a toilet brush, showing my new design;
FIG. 2 is a rear and bottom perspective view thereof;
FIG. 3 is a front elevation view thereof;
FIG. 4 is a rear elevation view thereof;
FIG. 5 is a left side elevation view thereof;
FIG. 6 is a right side elevation view thereof;
FIG. 7 is a top plan view thereof;
FIG. 8 is a bottom plan view thereof;
FIG. 9 is an enlarged view of a portion indicated with numeric 9 in FIG. 1; and,
FIG. 10 is an enlarged view of a portion indicated with numeric 10 in FIG. 1.

The dash dot dash lines in FIGS. 1, 9 and 10 are for the purpose of depicting the boundary lines of the enlarged views and form no part of the claimed design.

1 Claim, 10 Drawing Sheets

(56) **References Cited**
U.S. PATENT DOCUMENTS
D266,035 S * 9/1982 Thompson D4/128
5,617,605 A * 4/1997 Hoerner B25G 1/10
15/160
6,845,539 B2 * 1/2005 Tubman A46B 5/00
15/159.1
6,895,624 B2 * 5/2005 Fischer A61C 17/222
15/160
D524,058 S * 7/2006 Tapp D4/138
D524,550 S * 7/2006 Nagoya D4/111
D560,914 S * 2/2008 Yang D4/128
8,763,616 B2 * 7/2014 Koptis B65D 73/0071
15/104.001
D779,831 S * 2/2017 De la Cruz D4/104
D804,191 S * 12/2017 Meyns D4/137
D804,757 S * 12/2017 Campbell, Jr. D32/40
D816,343 S * 5/2018 Tai D4/100
D832,590 S * 11/2018 Joseph D4/120
D838,045 S * 1/2019 Miller D28/63



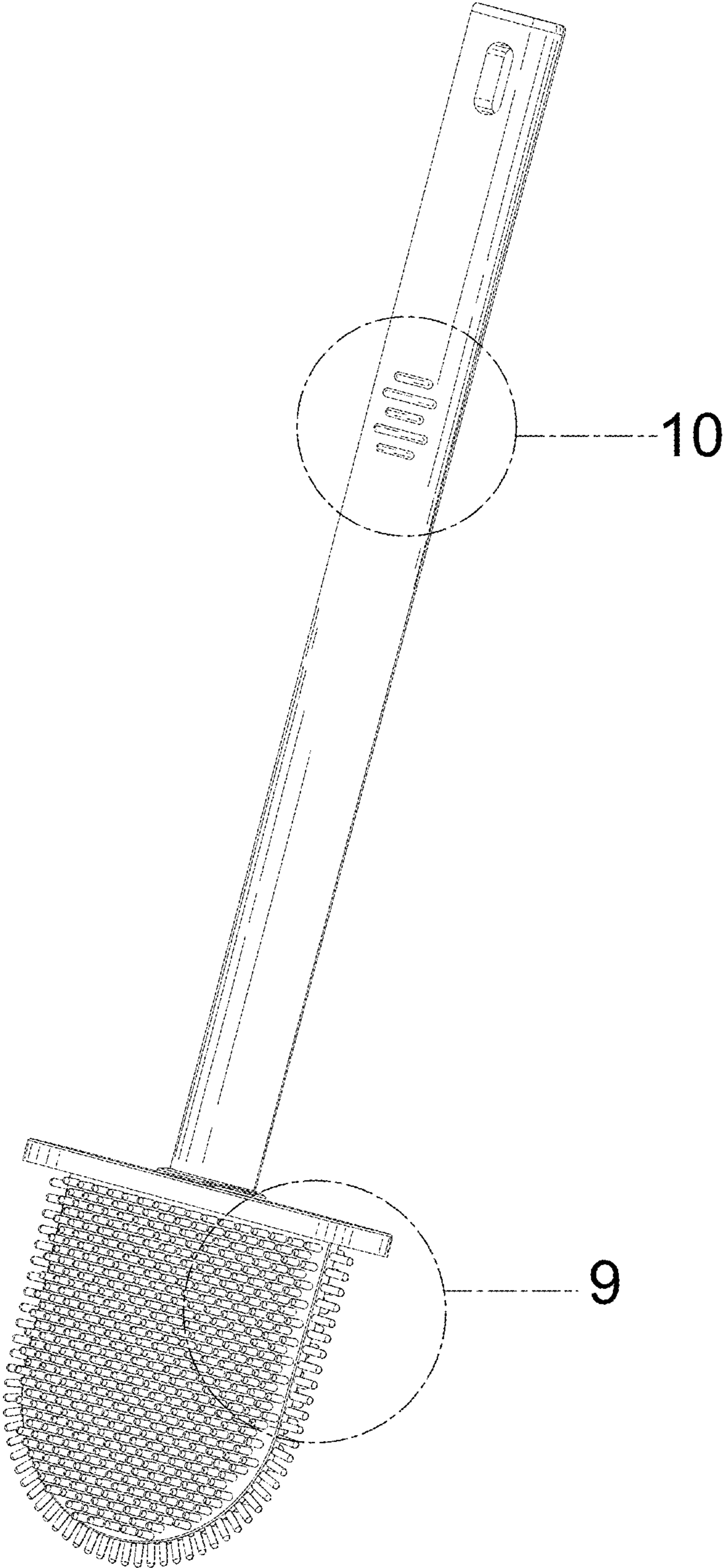


FIG. 1

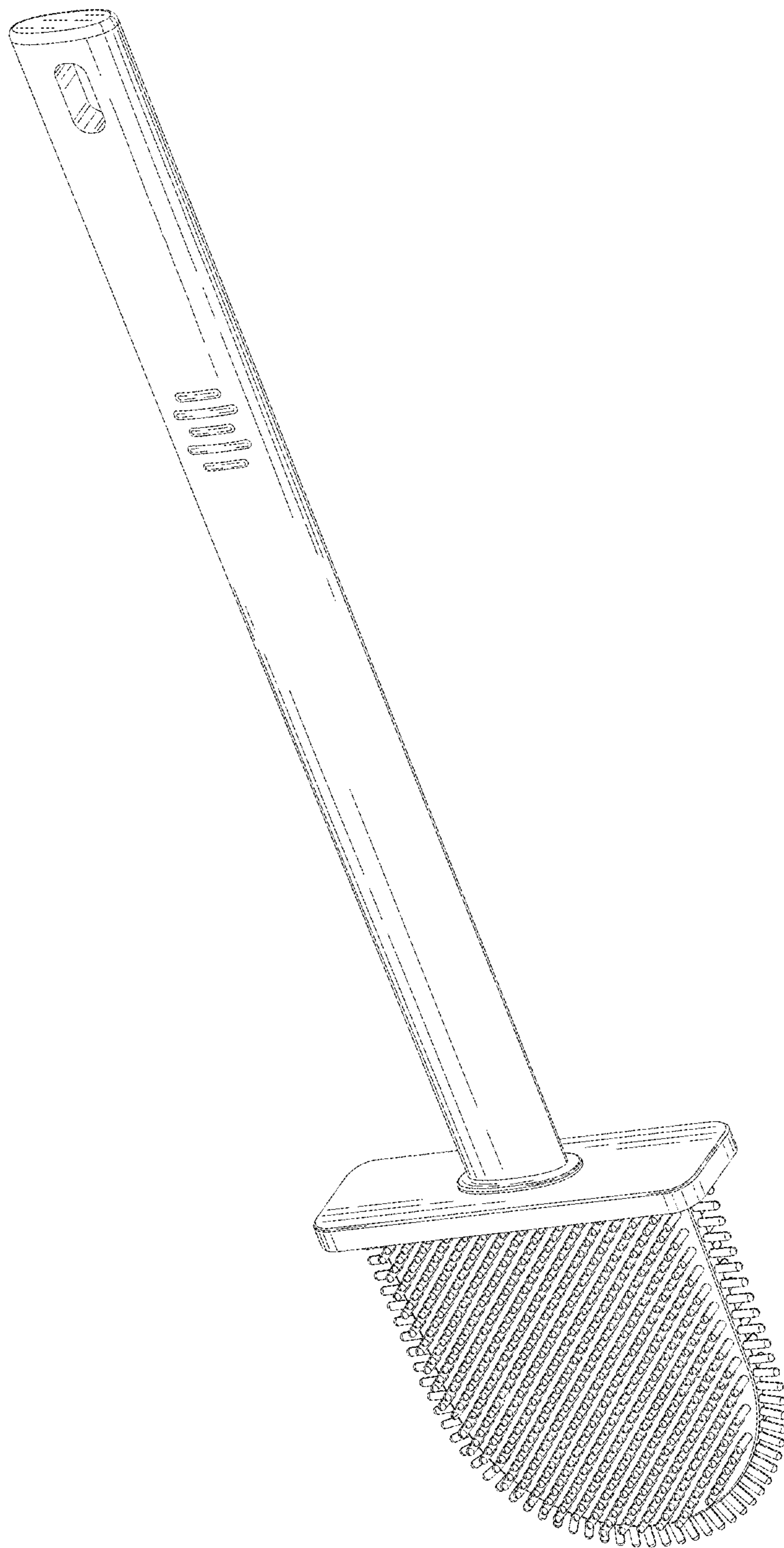


FIG. 2

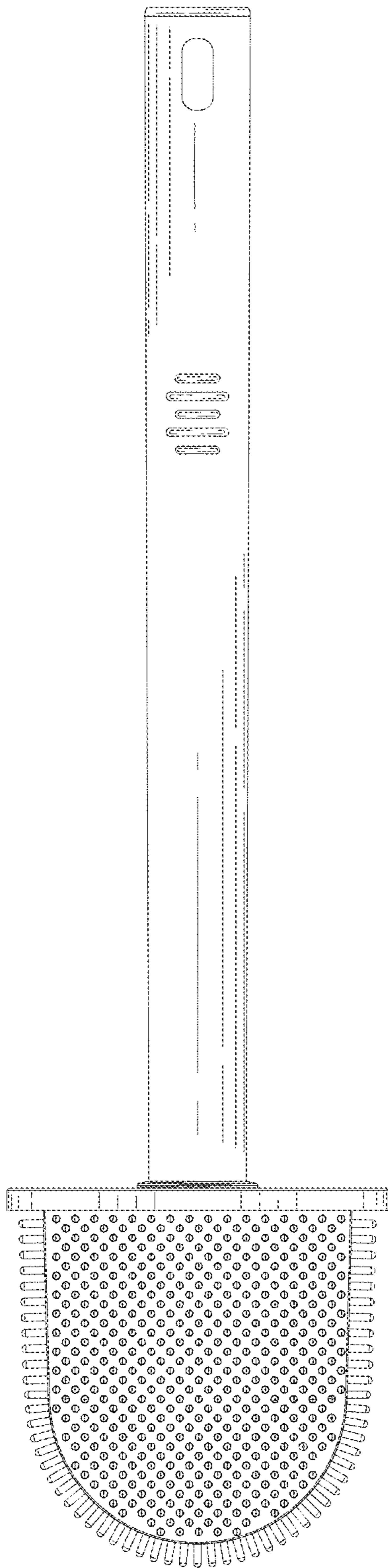


FIG. 3

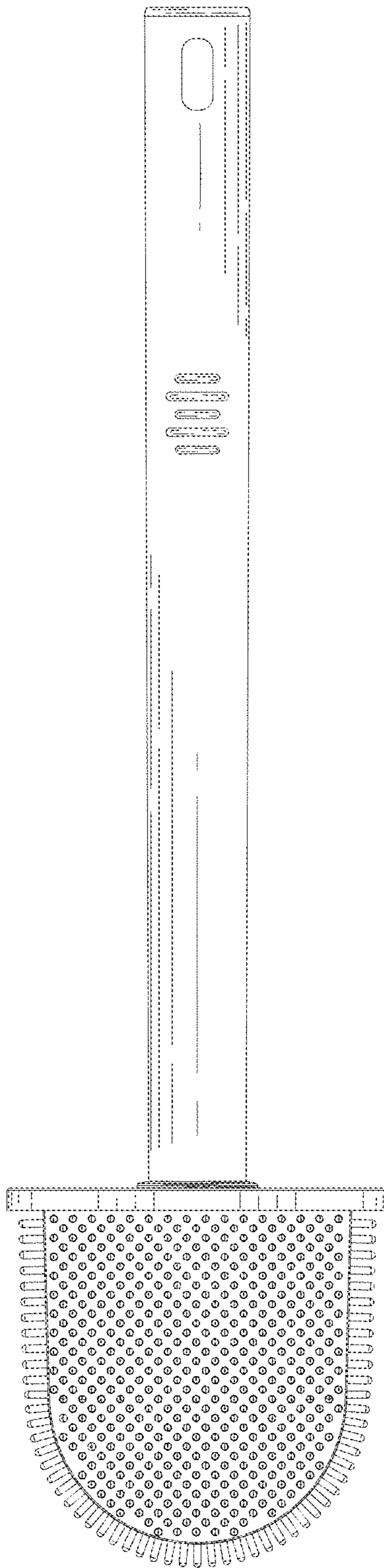


FIG. 4

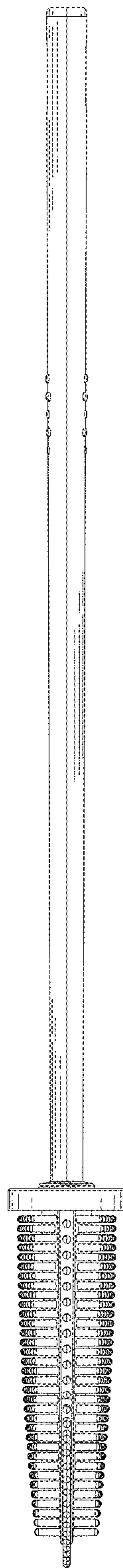


FIG. 5

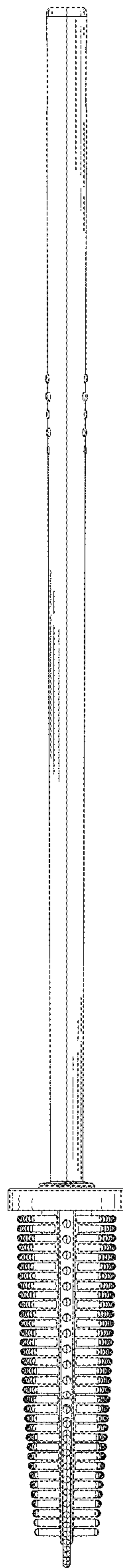


FIG. 6

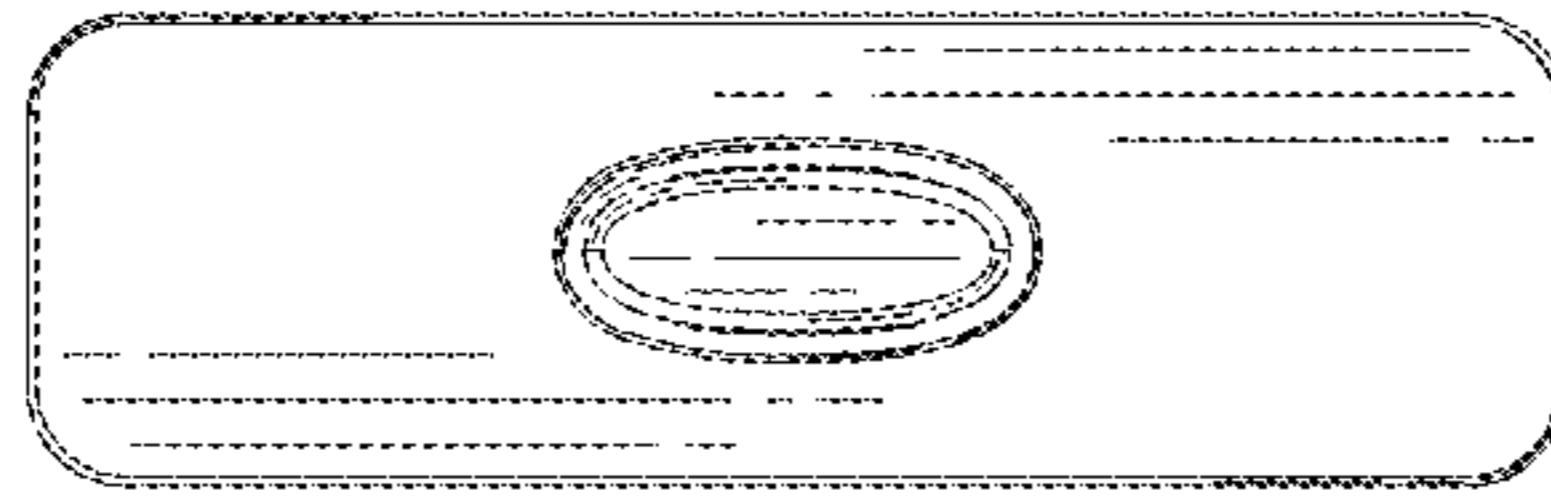


FIG. 7

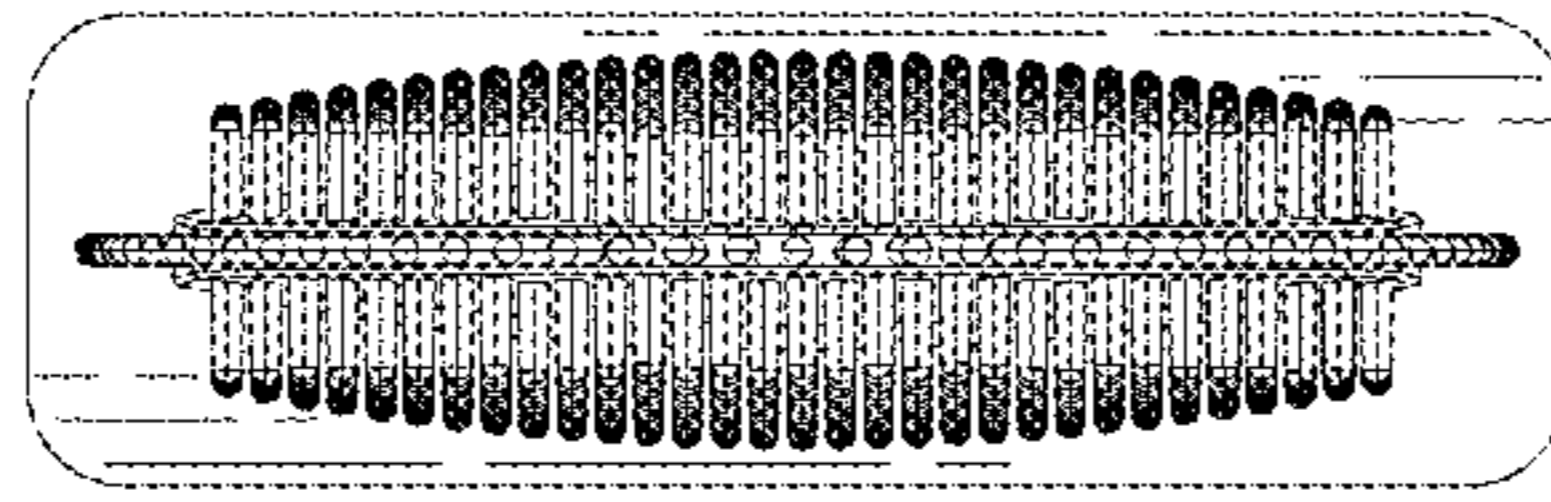


FIG. 8

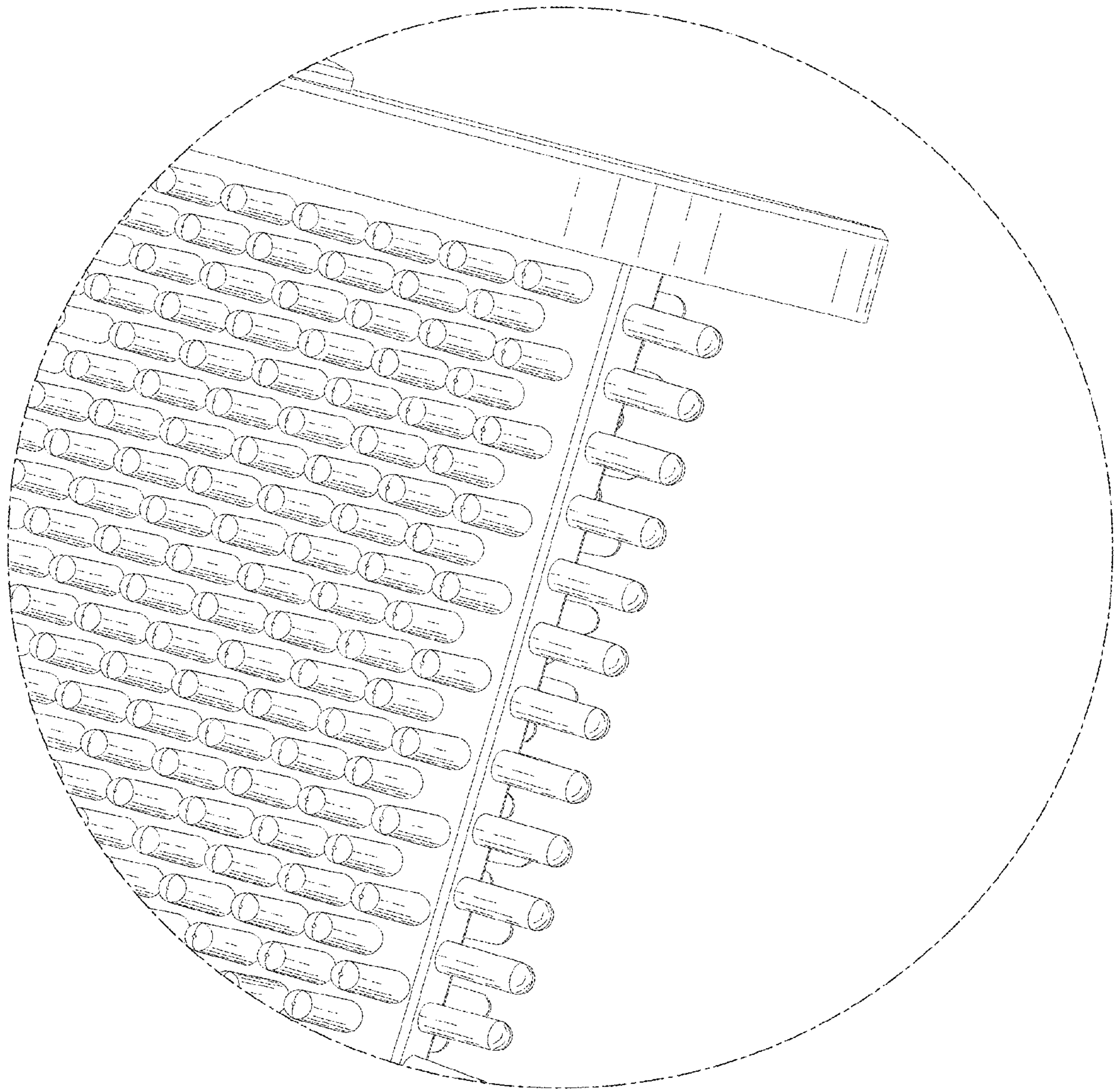


FIG. 9

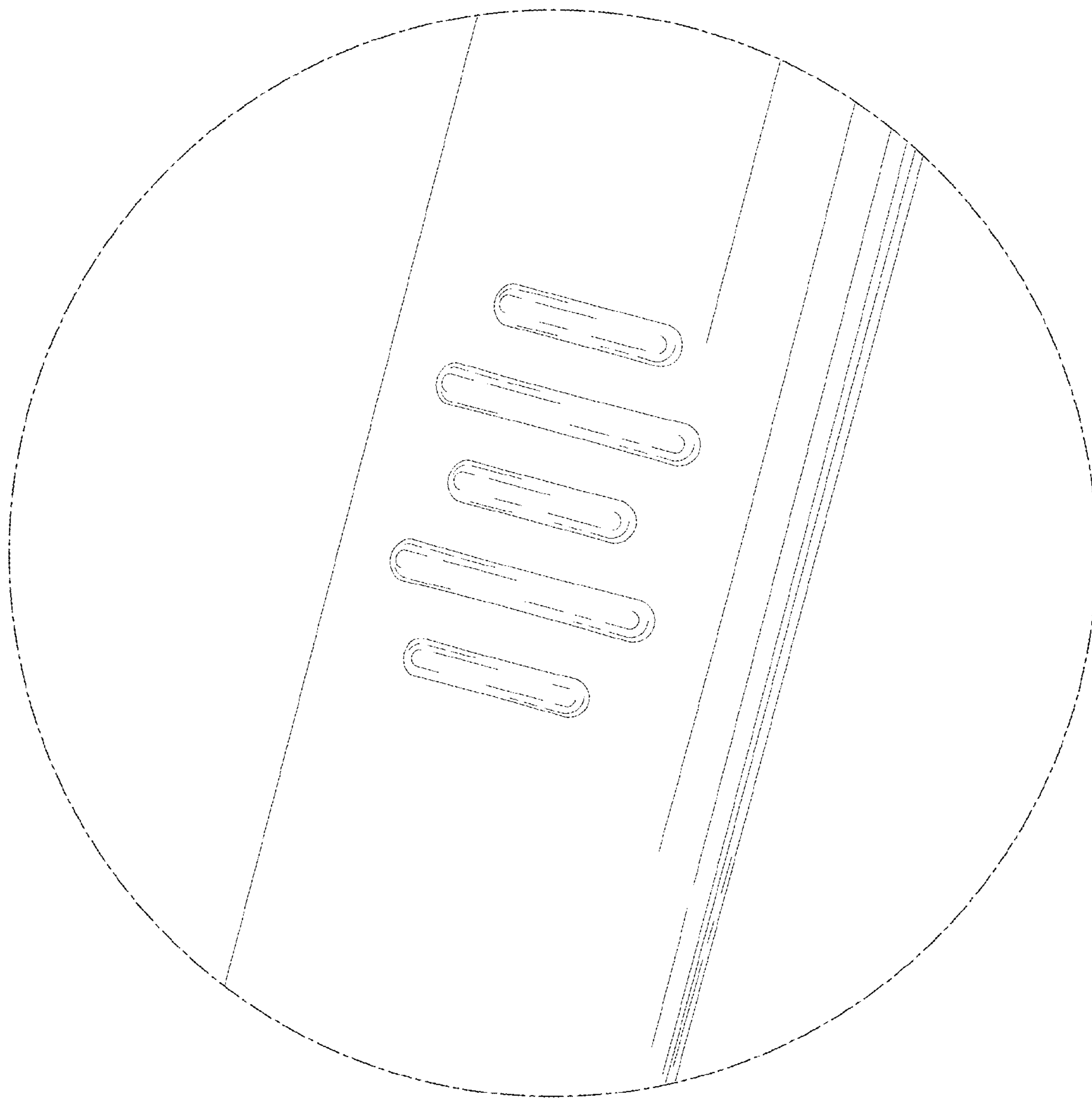


FIG. 10