



US00D953038S

(12) **United States Design Patent** (10) **Patent No.:** **US D953,038 S**  
**Albay et al.** (45) **Date of Patent:** **\*\* May 31, 2022**

(54) **HANDLE FOR ELECTRIC TOOTHBRUSH**

(56) **References Cited**

(71) Applicant: **Braun GmbH**, Kronberg (DE)

U.S. PATENT DOCUMENTS

(72) Inventors: **Devran Albay**, Frankfurt (DE); **Moritz Carlo Honisch**, Frankfurt (DE); **Dominik Langhammer**, Frankfurt (DE); **Peter Charles Mason, Jr.**, Maineville, OH (US); **Benjamin Hubert**, London (GB)

D373,903 S 9/1996 Stutzer et al.  
D454,251 S 3/2002 De  
D515,816 S 2/2006 Jimenez et al.  
D533,720 S \* 12/2006 Vu ..... D4/101  
7,520,016 B2 4/2009 Kressner  
D607,646 S 1/2010 Ino

(Continued)

(73) Assignee: **Braun GmbH**, Kronberg (DE)

FOREIGN PATENT DOCUMENTS

(\*\*) Term: **15 Years**

EM EU003175470-0002 7/2016  
EM EU004362952-0001 9/2017  
JP 1620904 S 12/2018

(21) Appl. No.: **29/745,631**

OTHER PUBLICATIONS

(22) Filed: **Aug. 7, 2020**

U.S. Appl. No. 16/898,313, filed Jun. 10, 2020, Jochen (NMN) Ganninger et al.

(Continued)

**Related U.S. Application Data**

(62) Division of application No. 29/646,243, filed on May 2, 2018, now Pat. No. Des. 894,610.

*Primary Examiner* — Karen E Eldridge Powers

(74) *Attorney, Agent, or Firm* — Vladimir Vitenberg

(30) **Foreign Application Priority Data**

Nov. 2, 2017 (WO) ..... 5250501

(51) **LOC (13) Cl.** ..... **28-03**

(52) **U.S. Cl.**  
USPC ..... **D4/101**

(58) **Field of Classification Search**

USPC ..... D4/100, 101, 102, 104, 105, 106, 107,  
D4/108, 109, 110, 111, 114, 119, 120,  
D4/121, 124, 125, 126, 127, 130, 132,  
D4/133, 134, 138, 199; D24/111;  
433/80  
CPC . A61C 17/222; A61C 17/225; A61C 17/3427;  
A61C 17/00; A61C 17/224; A61C 17/20;  
A61C 17/22; A61C 17/24; A61C 17/26;  
A61C 17/32; A61C 17/34; A46B  
2200/108

See application file for complete search history.

(57)

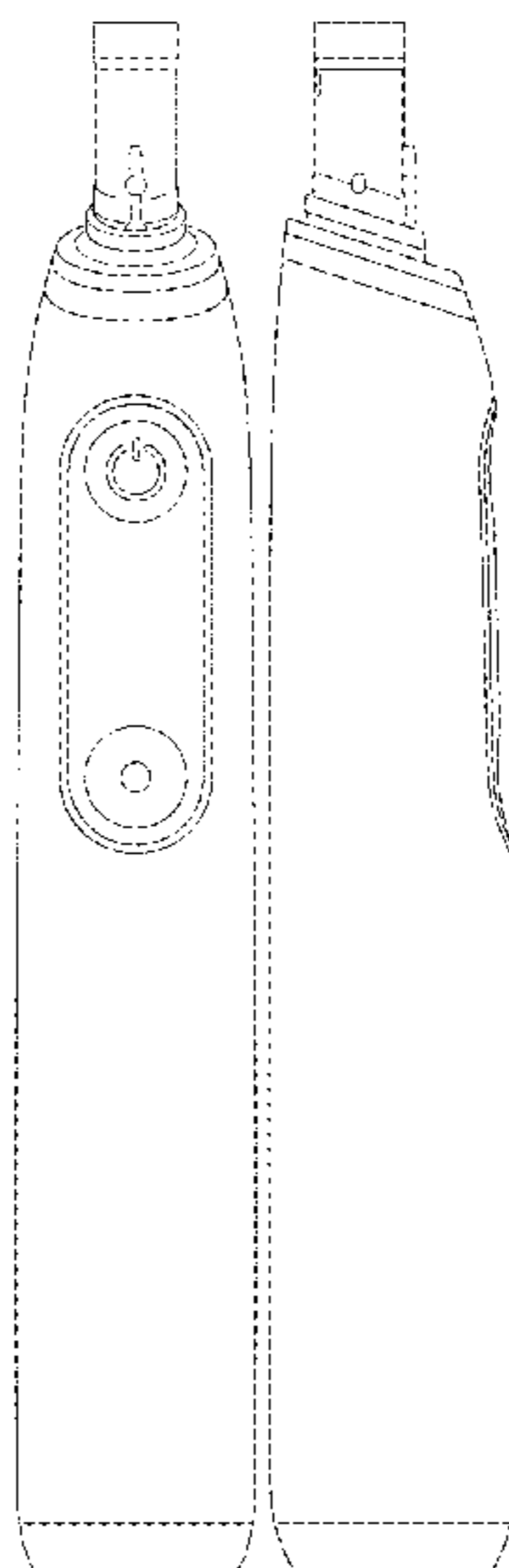
**CLAIM**

The ornamental design for a handle for electric toothbrush, as shown and described.

**DESCRIPTION**

FIG. 1 is a perspective view of a handle for electric toothbrush;  
FIG. 2 is a front elevation view thereof;  
FIG. 3 is a right-side elevation view thereof;  
FIG. 4 is a rear elevation view thereof;  
FIG. 5 is a left-side elevation view thereof;  
FIG. 6 is a top plan view thereof; and,  
FIG. 7 is a bottom plan view thereof.  
The broken lines illustrate portions of the handle for electric toothbrush that form no part of the claimed design.

**1 Claim, 2 Drawing Sheets**



(56)

References Cited

U.S. PATENT DOCUMENTS

D657,954 S 4/2012 Gebski  
 D658,381 S 5/2012 Gebski  
 D658,383 S 5/2012 Key et al.  
 D676,663 S 2/2013 Ptok et al.  
 D689,697 S 9/2013 Doumoto et al.  
 8,769,758 B2 7/2014 Jungnickel  
 D717,547 S \* 11/2014 Adriaenssen ..... D4/101  
 D718,057 S 11/2014 Masee et al.  
 D719,737 S 12/2014 Adriaenssen et al.  
 D749,851 S \* 2/2016 Watkins ..... D4/101  
 D752,868 S 4/2016 Mcgarry et al.  
 D759,381 S 6/2016 Watkins  
 D759,382 S \* 6/2016 Watkins ..... D4/101  
 D766,581 S \* 9/2016 Bloch ..... D4/101  
 D767,895 S 10/2016 Stebila et al.  
 D771,388 S 11/2016 Since  
 D773,822 S 12/2016 Sikora  
 D775,469 S 1/2017 Sikora et al.  
 D787,189 S 5/2017 Fretwell et al.  
 D790,859 S 7/2017 Mcgarry  
 D791,485 S 7/2017 Mcgarry  
 D795,419 S 8/2017 Kohler  
 D799,217 S 10/2017 Masee  
 D801,696 S 11/2017 Mcgarry  
 9,865,184 B2 1/2018 Jungnickel et al.  
 D814,195 S 4/2018 Sikora  
 D819,337 S 6/2018 Yuan et al.  
 D819,973 S \* 6/2018 Greve ..... D4/101  
 D824,174 S 7/2018 Altmann  
 D824,175 S 7/2018 Yan  
 D831,358 S 10/2018 Altmann  
 D838,991 S 1/2019 Choi et al.  
 D844,995 S \* 4/2019 Wong ..... D4/101

D845,636 S 4/2019 Porter  
 D861,351 S 10/2019 Albay et al.  
 D874,830 S 2/2020 Choi et al.  
 D884,351 S \* 5/2020 Albay ..... D4/101  
 D884,354 S \* 5/2020 Albay ..... D4/101  
 10,667,892 B2 6/2020 Bärtschi et al.  
 D890,528 S \* 7/2020 Albay ..... D4/101  
 D894,610 S \* 9/2020 Albay ..... D4/101  
 D906,688 S \* 1/2021 Porter ..... D4/104  
 D912,989 S 3/2021 Albay et al.  
 D930,989 S 9/2021 Albay et al.  
 D932,777 S 10/2021 Albay et al.  
 2012/0124759 A1 5/2012 Fritsch  
 2017/0128178 A1 5/2017 Schmidt  
 2021/0045857 A1\* 2/2021 Fritsch ..... A61C 17/222  
 2021/0145539 A1 5/2021 Greve

OTHER PUBLICATIONS

U.S. Appl. No. 16/898,344, filed Jun. 10, 2020, Jochen (NMN) Ganninger et al.  
 U.S. Appl. No. 16/898,359, filed Jun. 10, 2020, Jochen (NMN) Ganninger et al.  
 U.S. Appl. No. 16/898,372, filed Jun. 10, 2020, Jochen (NMN) Ganninger et al.  
 All Office Actions; U.S. Appl. No. 29/466,288, filed Sep. 6, 2013.  
 All Office Actions; U.S. Appl. No. 29/582,845, filed Oct. 31, 2016.  
 All Office Actions; U.S. Appl. No. 29/646,245, filed May 2, 2018.  
 All Office Actions; U.S. Appl. No. 29/687,962, filed Apr. 17, 2018.  
 All Office Actions; U.S. Appl. No. 29/757,207, filed Nov. 4, 2018.  
 All Office Actions; U.S. Appl. No. 29/757,213, filed Nov. 4, 2018.  
 All Office Actions; U.S. Appl. No. 29/794,152, filed Jun. 10, 2018.  
 U.S. Appl. No. 29/794,152, filed Jun. 10, 2021, Devran Albay et al.

\* cited by examiner

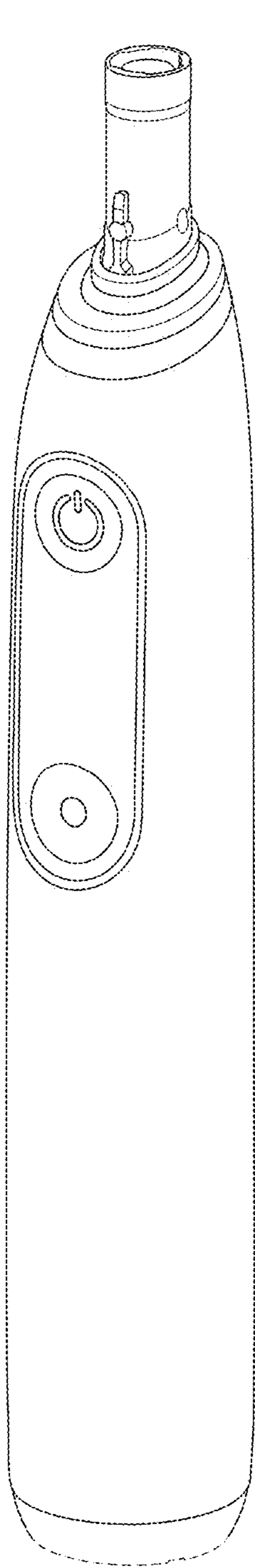


FIG. 1

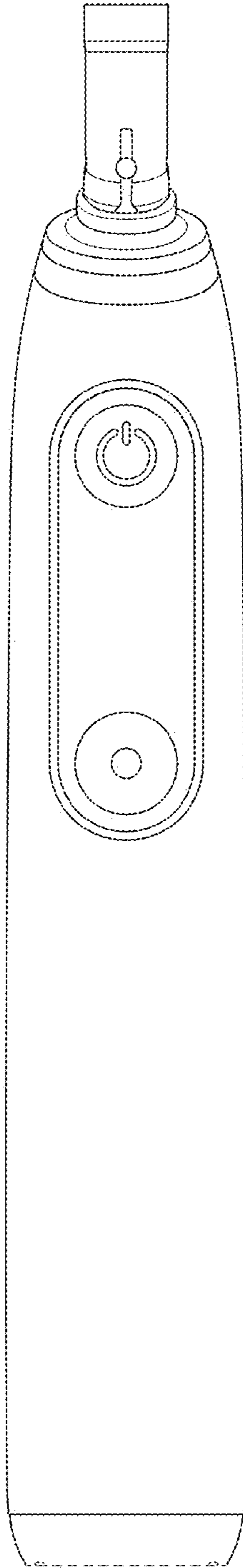


FIG. 2

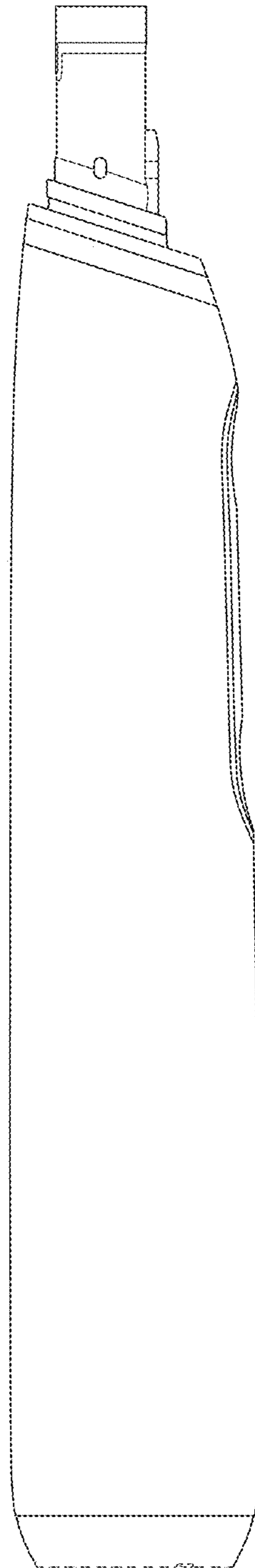


FIG. 3

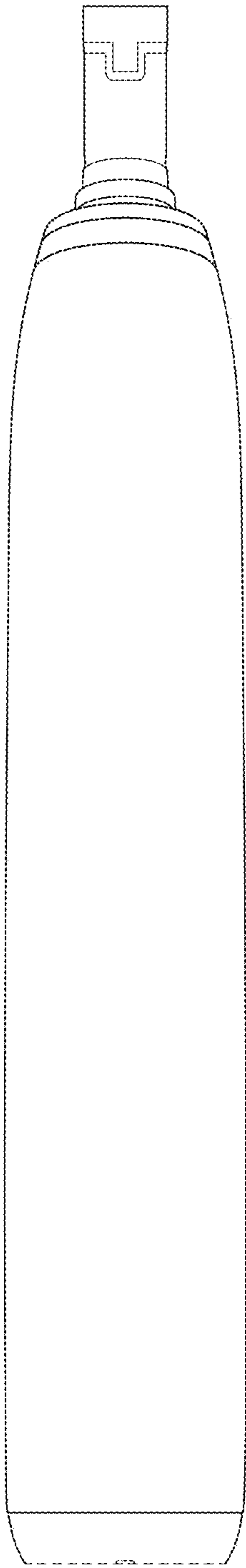


FIG. 4

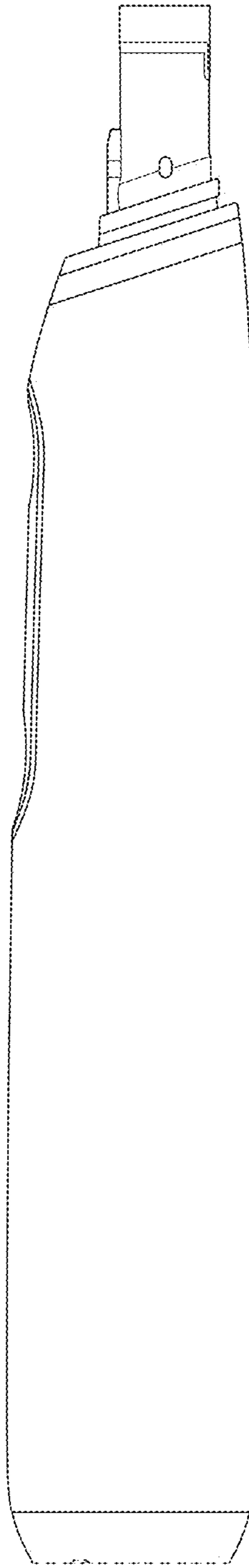


FIG. 5

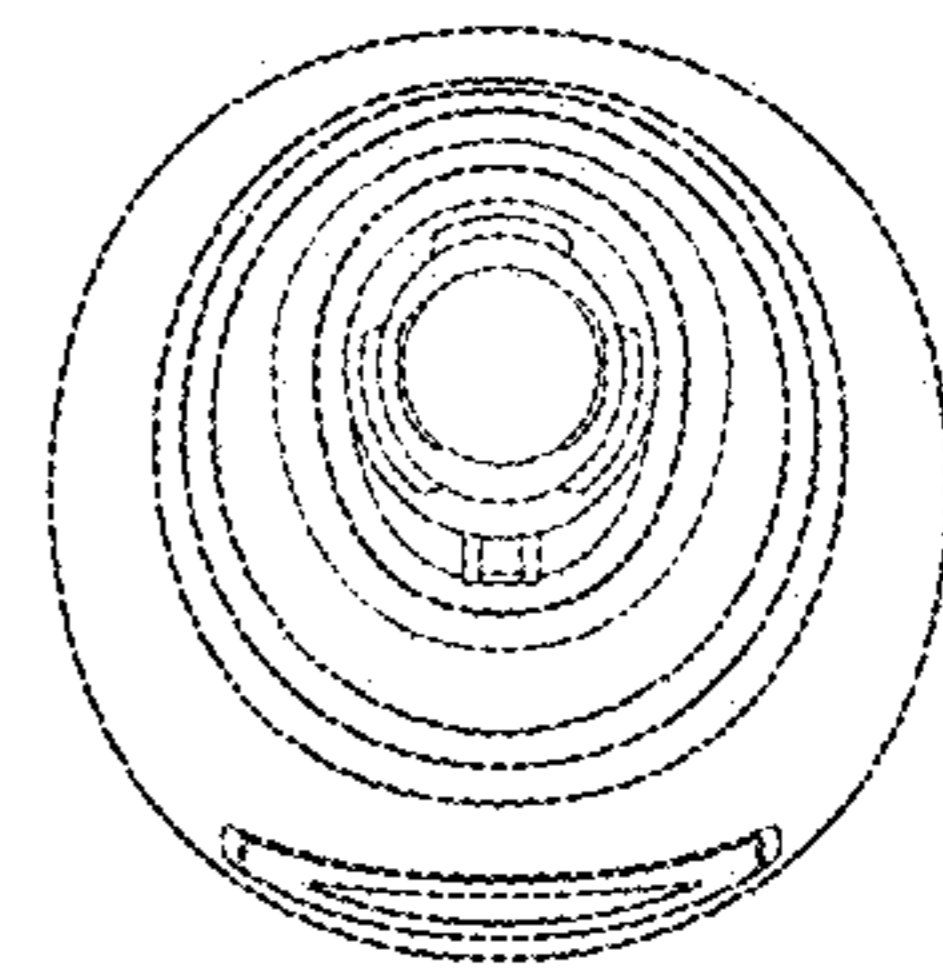


FIG. 6

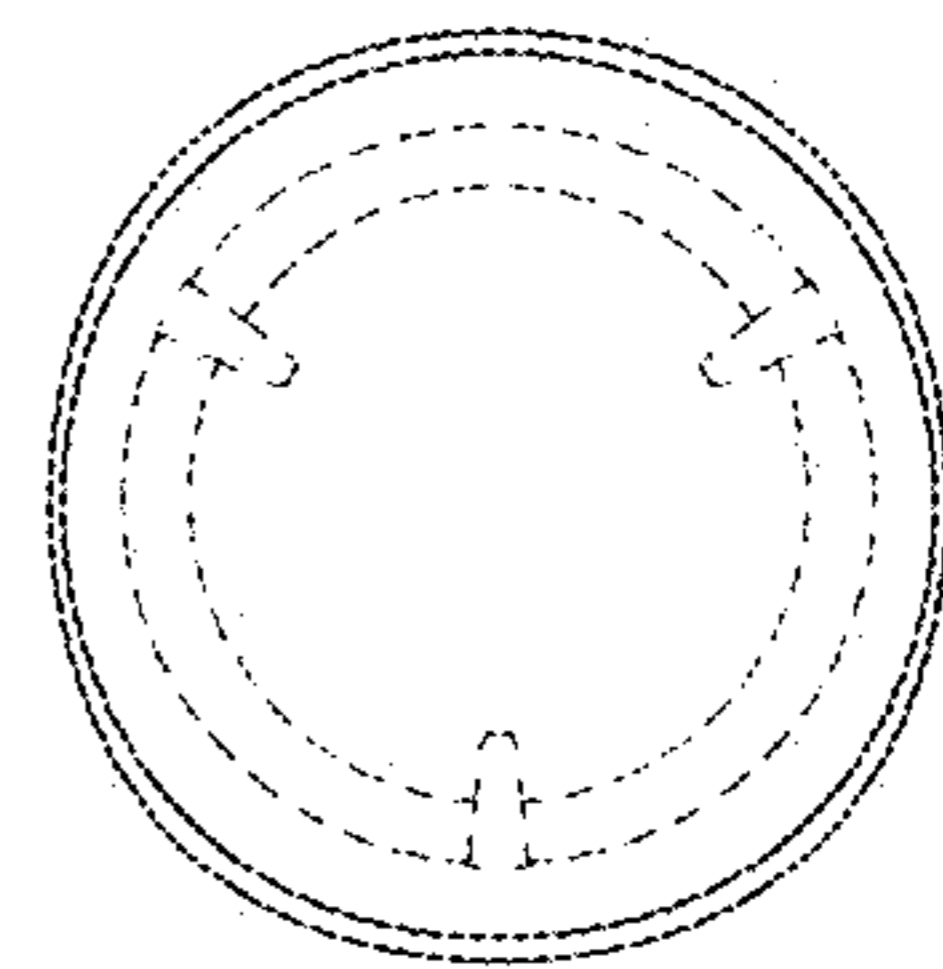


FIG. 7