



US00D953037S

(12) **United States Design Patent** (10) **Patent No.:** **US D953,037 S**
Oymak (45) **Date of Patent:** **** May 31, 2022**

(54) **CLASP FOR A BAG**

(71) Applicant: **CARTIER INTERNATIONAL AG,**
Steinhausen (CH)

(72) Inventor: **Irem Oymak,** Paris (FR)

(**) Term: **15 Years**

(21) Appl. No.: **35/511,096**

(22) Filed: **Dec. 17, 2020**

(80) **Hague Agreement Data**
 Int. Filing Date: **Dec. 17, 2020**
 Int. Reg. No.: **DM/211852**
 Int. Reg. Date: **Dec. 17, 2020**
 Int. Reg. Pub. Date: **Jan. 1, 2021**

(51) **LOC (13) Cl.** **03-01**

(52) **U.S. Cl.**
 USPC **D3/318**
 CPC **A45C 3/06** (2013.01)

(58) **Field of Classification Search**
 USPC D3/215–217, 226, 227, 232–234,
 D3/238–246, 254, 257, 270, 271.1, 271.9,
 D3/272, 274–276, 291, 294, 299, 303,
 D3/318–319, 324, 326, 900, 902, 903
 CPC A45C 1/00; A45C 3/06; A45C 2007/004;
 A45C 3/08; A45C 7/00; A45C 9/10
 See application file for complete search history.

(56) **References Cited**
 U.S. PATENT DOCUMENTS

D273,833	S	*	5/1984	Taylor	D3/244
D421,178	S	*	2/2000	Dandini	D3/233
D433,803	S	*	11/2000	Haapala	D3/232
D439,041	S	*	3/2001	Guyon	D3/245
D445,567	S	*	7/2001	Imbert	D3/246
D480,621	S	*	10/2003	Ling	D8/331
D510,661	S	*	10/2005	Suppangig	D3/246
D524,045	S	*	7/2006	Handley	D3/243
D537,627	S	*	3/2007	Vazquez	D3/244

D539,533	S	*	4/2007	Fusi	D3/243
D570,189	S	*	6/2008	Schlatter	D8/331
D570,191	S	*	6/2008	Schlatter	D8/331
D580,165	S	*	11/2008	Pavlou	D3/232
D580,166	S	*	11/2008	Gonzalez	D3/245
D581,664	S	*	12/2008	Gerbi	D3/243
D582,157	S	*	12/2008	Gerbi	D3/245
D588,359	S	*	3/2009	Gonzalez	D3/243
D609,468	S	*	2/2010	Dolce	D3/243
D650,988	S	*	12/2011	Borghi	D3/245
D651,402	S	*	1/2012	Borghi	D3/245
D653,031	S	*	1/2012	Reisenthel	D3/245
D653,457	S	*	2/2012	Della Valle	D5/58
D655,500	S	*	3/2012	Maier	D3/245
D655,583	S	*	3/2012	Palazzolo	D7/709
D655,913	S	*	3/2012	Gerbi	D3/232
D663,522	S	*	7/2012	Schiffman	D3/232
D688,450	S	*	8/2013	Philo	D3/243
D696,860	S	*	1/2014	Guyon	D3/243
D698,146	S	*	1/2014	Deneve	D3/245
D712,654	S	*	9/2014	Wang	D3/243
D717,043	S	*	11/2014	Pulliam	D3/243
D717,540	S	*	11/2014	Venturini Fendi	D3/232

(Continued)

Primary Examiner — Richard E Chilcot

(57) **CLAIM**

The ornamental design for a clasp for a bag, as shown and described.

DESCRIPTION

- 1. Clasp for a bag
- 1.1 : Perspective
- 1.2 : Front
- 1.3 : Back
- 1.4 : Right
- 1.5 : Left
- 1.6 : Top
- 1.7 : Bottom
- 1.8 : Perspective

In the drawings the dashed lines represent items which form no part of the design and are not claimed; reproduction 1.8 shows the clasp in the open condition.

1 Claim, 8 Drawing Sheets



(56)

References Cited

U.S. PATENT DOCUMENTS

D719,349 S * 12/2014 Fusi D3/245
 D721,889 S * 2/2015 Simons D3/245
 D726,409 S * 4/2015 Fusi D3/243
 D728,225 S * 5/2015 McNamara D3/243
 D728,227 S * 5/2015 Hawkes D3/245
 D728,925 S * 5/2015 Von Furstenberg D3/243
 D730,045 S * 5/2015 Ceccomori D3/245
 D730,046 S * 5/2015 Koutsolioutsos D3/245
 D745,270 S * 12/2015 Yamashita D3/232
 D761,015 S * 7/2016 Nair D3/243
 D761,557 S * 7/2016 Bernardoni D3/243
 D764,166 S * 8/2016 Kuwakubo D3/246
 D765,969 S * 9/2016 Bonesi D3/243
 D767,270 S * 9/2016 Maier D3/243
 D767,886 S * 10/2016 Lagerfeld D3/245
 D768,379 S * 10/2016 Luo D3/232
 D773,809 S * 12/2016 Lieser D3/232
 D775,820 S * 1/2017 Sassi D3/232
 D775,822 S * 1/2017 Dumas D3/243
 D780,448 S * 3/2017 Nair D3/243
 D785,934 S * 5/2017 Maier D3/243
 D789,684 S * 6/2017 Michele D3/232
 D800,449 S * 10/2017 Nair D3/243

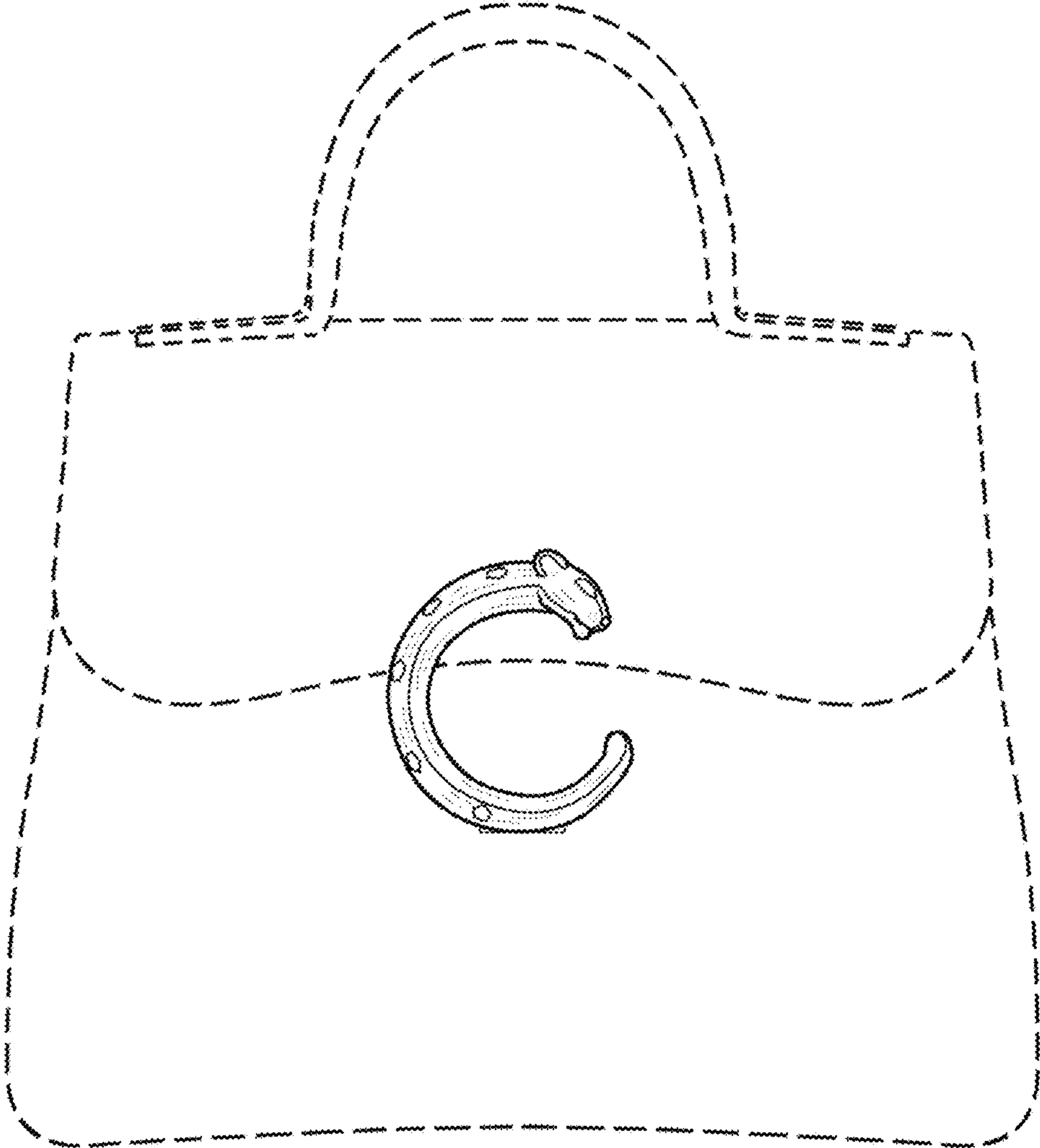
D802,298 S * 11/2017 Sassi D3/243
 D803,554 S * 11/2017 Maier D3/243
 D803,555 S * 11/2017 Maier D3/243
 D804,170 S * 12/2017 Maier D3/243
 D806,385 S * 1/2018 Maier D3/243
 D808,647 S * 1/2018 Philo D3/243
 D826,555 S * 8/2018 Sassi D3/232
 D828,022 S * 9/2018 Maier D3/243
 D830,058 S * 10/2018 Dumas D3/232
 D830,690 S * 10/2018 Sassi D3/232
 D834,824 S * 12/2018 Trussardi D3/325
 D835,415 S * 12/2018 Trussardi D3/325
 D835,914 S * 12/2018 Fusi D3/318
 D862,887 S * 10/2019 Stone D3/318
 D871,063 S * 12/2019 Morgan D3/245
 D877,499 S * 3/2020 Renieri D3/232
 D878,745 S * 3/2020 Murri D3/232
 D884,348 S * 5/2020 Zhou D3/318
 D887,862 S * 6/2020 Rigoulet D10/30
 D889,840 S * 7/2020 Slimane D3/318
 D896,525 S * 9/2020 Lee D3/318
 D896,526 S * 9/2020 Lee D3/318
 D896,527 S * 9/2020 Lee D3/318
 D913,697 S * 3/2021 Camerlengo D3/318
 D914,366 S * 3/2021 Glass D3/318
 D917,169 S * 4/2021 Amiri D3/318

* cited by examiner

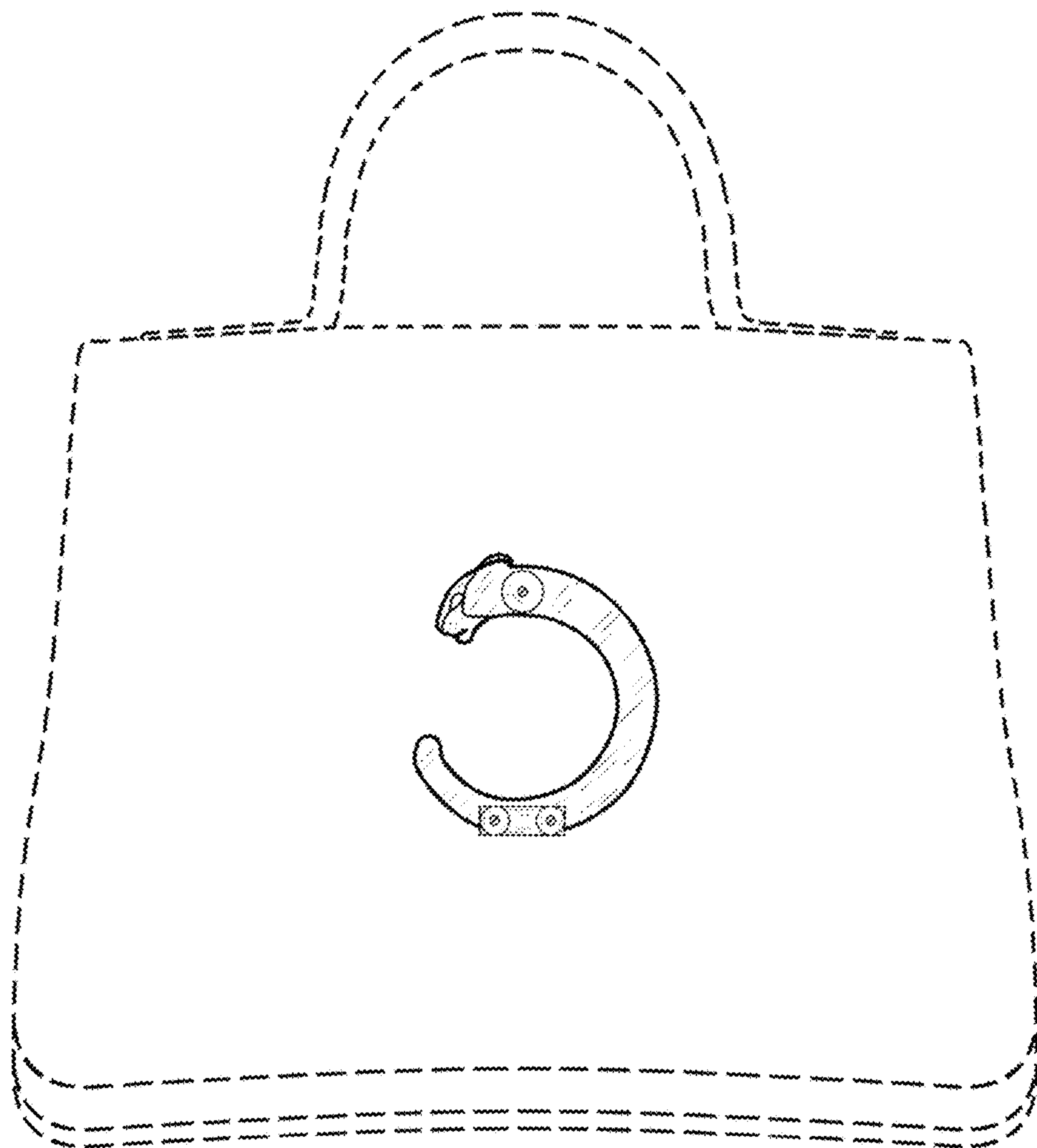
1.1



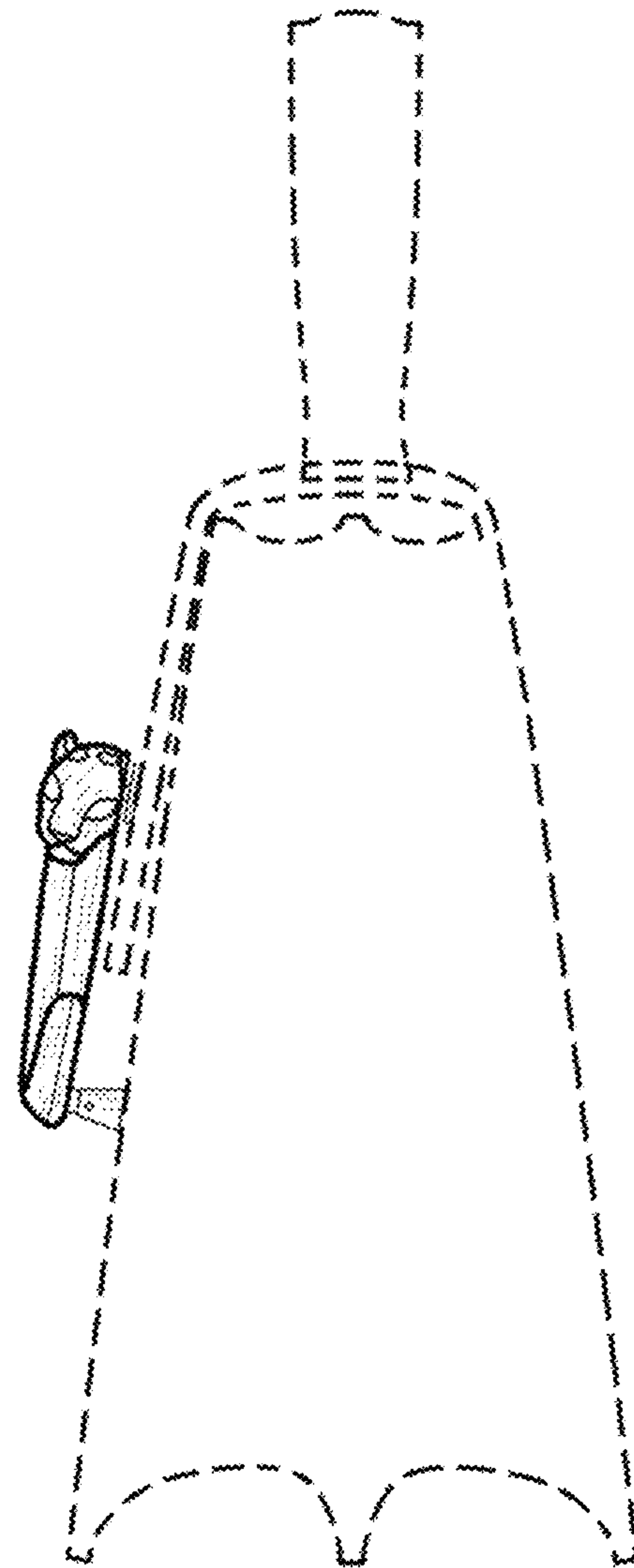
1.2



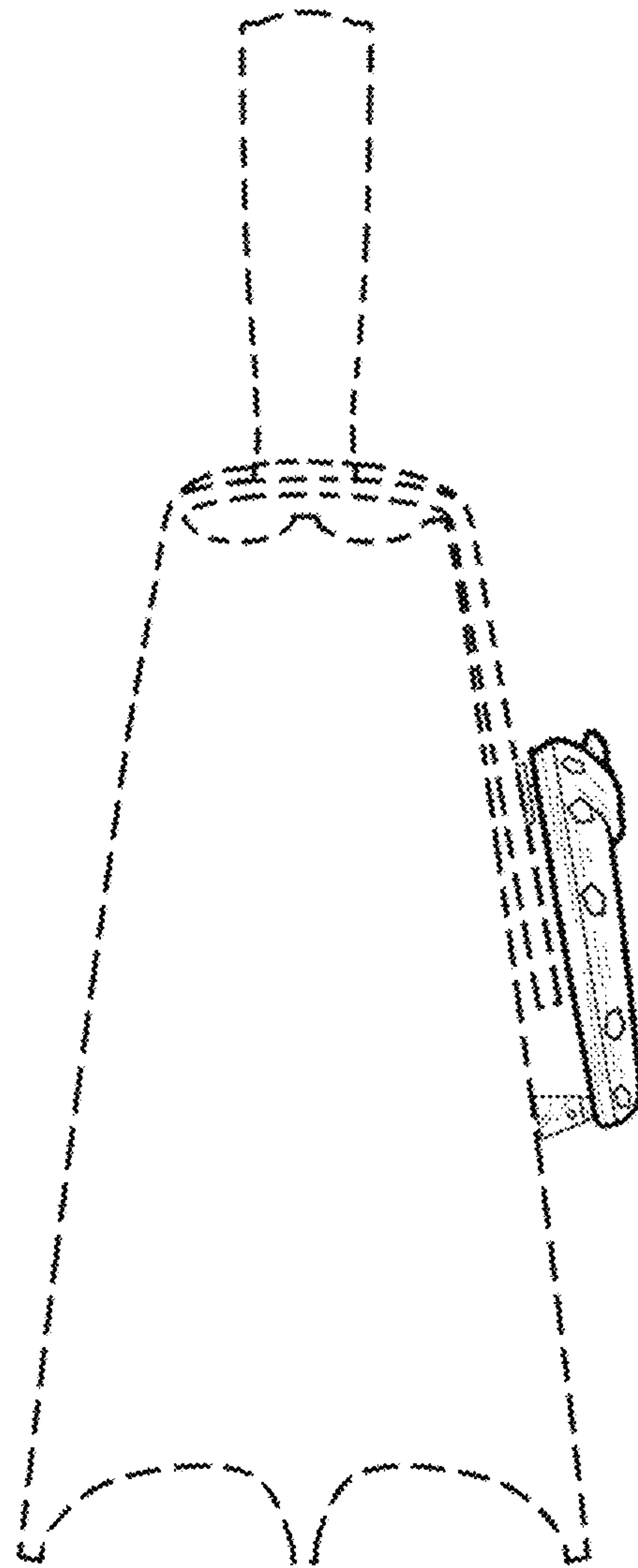
1.3



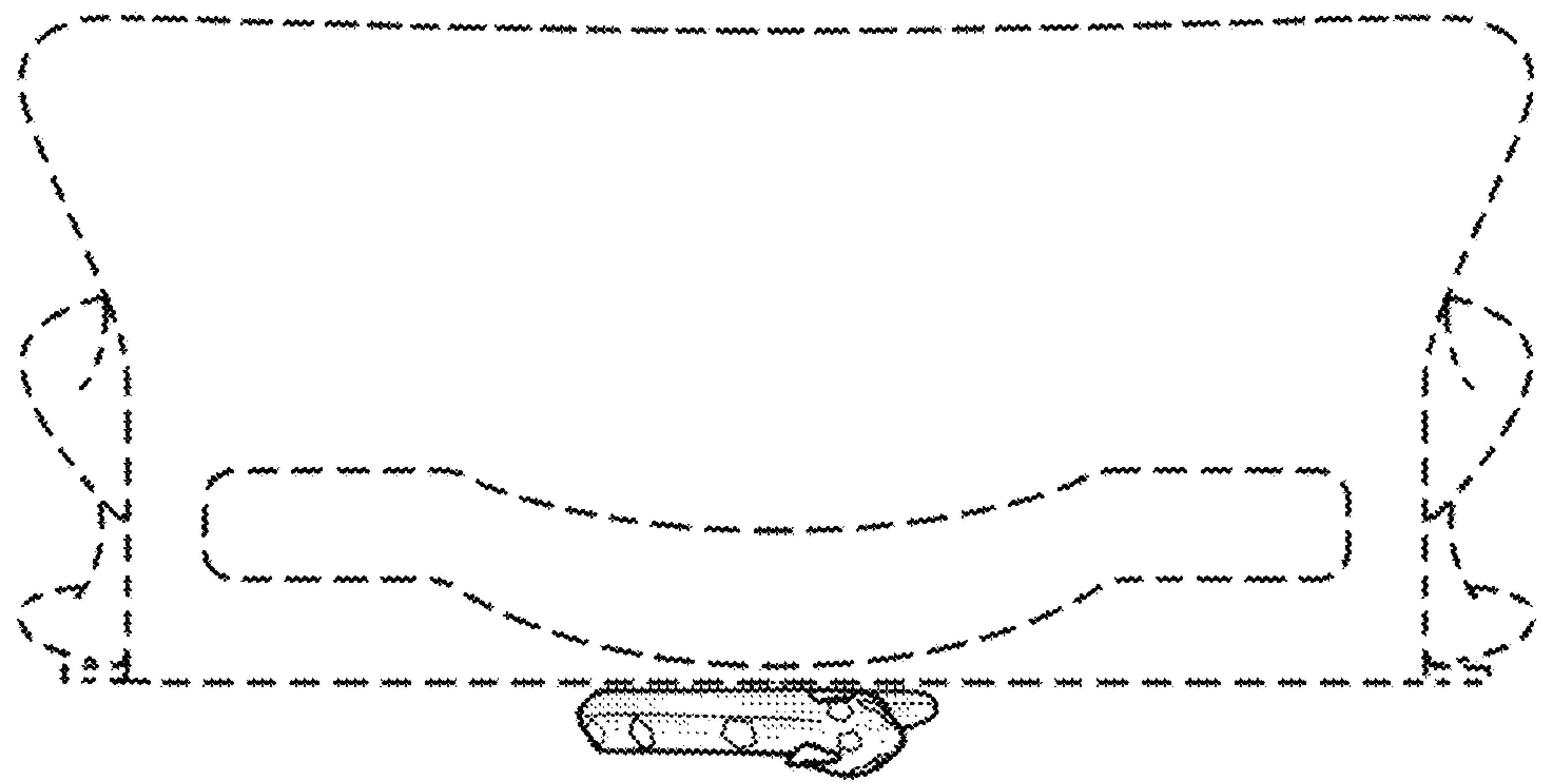
1.4



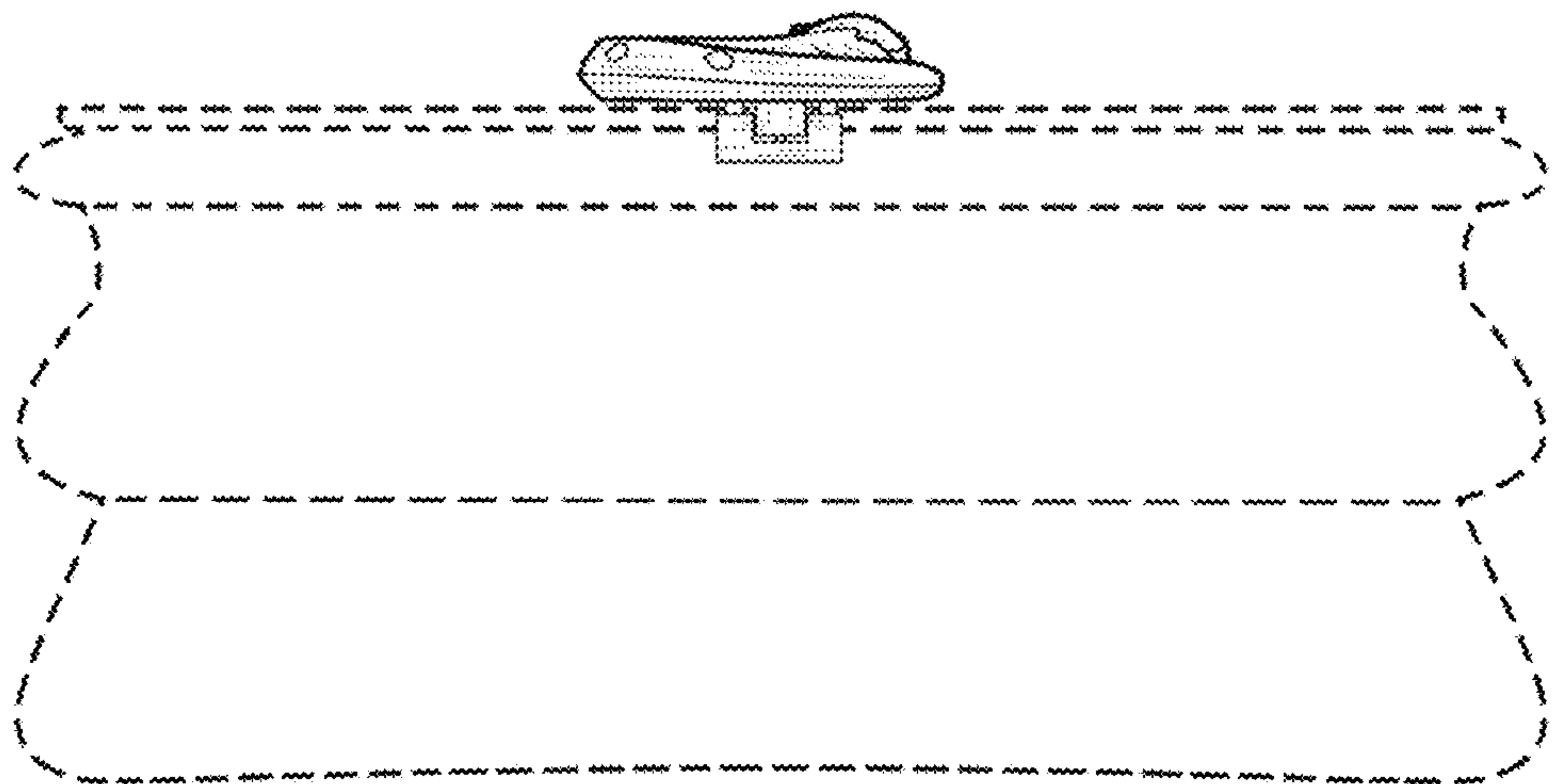
1.5



1.6



1.7



1.8

