



US00D953035S

(12) **United States Design Patent** (10) **Patent No.:** **US D953,035 S**  
**Nichols et al.** (45) **Date of Patent:** **\*\* May 31, 2022**

(54) **TRAVEL ORGANIZER**

(71) Applicant: **YETI Coolers, LLC**, Austin, TX (US)

(72) Inventors: **Steve Charles Nichols**, Austin, TX (US); **Kyle Edward Rogers**, Austin, TX (US); **Derek G. Sullivan**, Austin, TX (US)

(73) Assignee: **YETI Coolers, LLC**, Austin, TX (US)

(\*\*) Term: **15 Years**

(21) Appl. No.: **29/730,009**

(22) Filed: **Mar. 31, 2020**

(51) **LOC (13) Cl.** ..... **03-01**

(52) **U.S. Cl.**  
USPC ..... **D3/301**

(58) **Field of Classification Search**  
USPC ..... D3/273, 276, 283, 284, 285, 289, 301  
CPC ..... A45C 5/005; A45C 3/00  
See application file for complete search history.

(56) **References Cited**

**U.S. PATENT DOCUMENTS**

1,980,714 A \* 11/1934 Brady ..... A45C 13/02  
190/109  
D328,184 S 7/1992 Krugman  
D389,647 S \* 1/1998 White ..... D3/285  
D396,750 S \* 8/1998 Slater ..... D3/284  
D455,005 S 4/2002 Wolf  
D457,314 S \* 5/2002 Stephens ..... D3/276

(Continued)

**FOREIGN PATENT DOCUMENTS**

CN 303324042 S 8/2005  
CN 304392403 S 12/2017

(Continued)

**OTHER PUBLICATIONS**

AmazonBasics 4 Piece Packing Travel Organizer Cubes Set, announced May 24, 2016 [online], [site visited Dec. 17, 2021]. Available from internet, URL: <<https://www.amazon.ca/Amazon-Basics-Packing-Travel-Organizer/dp/B014VBIEZQ>> (Year: 2016).\*

(Continued)

*Primary Examiner* — Kevin K Rudzinski

*Assistant Examiner* — Amber J Rabie

(74) *Attorney, Agent, or Firm* — Banner & Witcoff, Ltd.

(57) **CLAIM**

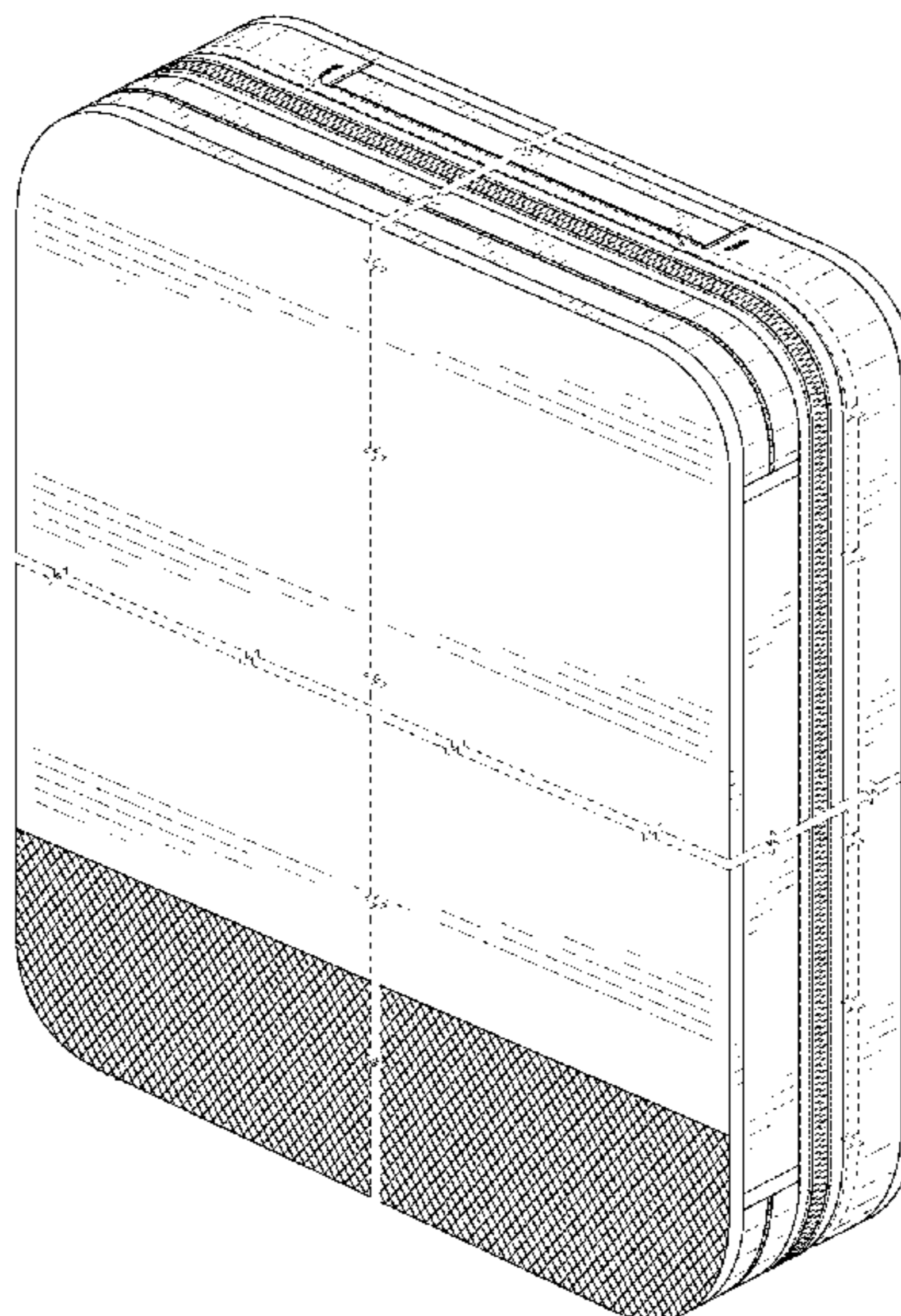
The ornamental design for a travel organizer, as shown and described.

**DESCRIPTION**

FIG. 1 is a top, front, right perspective view of a travel organizer showing our new design;  
FIG. 2 is a top view thereof;  
FIG. 3 is a bottom view thereof;  
FIG. 4 is a front view thereof;  
FIG. 5 is a rear view thereof;  
FIG. 6 is a left side view thereof;  
FIG. 7 is a right side view thereof;  
FIG. 8 is a top, front, right perspective view of an alternative claimed configuration of a travel organizer showing our new design;  
FIG. 9 is a top view thereof;  
FIG. 10 is a bottom view thereof;  
FIG. 11 is a front view thereof;  
FIG. 12 is a rear view thereof;  
FIG. 13 is a left side view thereof; and,  
FIG. 14 is a right side view thereof.

The travel organizer is shown with a symbolic break in its length width, and height. The appearance of any portion of the article between the break lines forms no part of the claimed design. The even length broken length lines represent stitching and form no part of the claimed design.

**1 Claim, 14 Drawing Sheets**



(56)

References Cited

U.S. PATENT DOCUMENTS

D481,205 S \* 10/2003 Parrott ..... D19/86  
 D510,657 S 10/2005 Fonfeder  
 D512,216 S 12/2005 Joyce  
 D514,308 S 2/2006 Wahl et al.  
 D518,956 S 4/2006 Van Himbeeck  
 D565,837 S 4/2008 Miles  
 D588,799 S 3/2009 Garland et al.  
 D593,317 S 6/2009 Yao et al.  
 D596,856 S 7/2009 Udwin  
 D602,253 S 10/2009 Rees et al.  
 D613,054 S 4/2010 Morszeck  
 D632,079 S 2/2011 Spencer et al.  
 D633,295 S 3/2011 Russell  
 7,926,661 B2 4/2011 Beeman  
 D639,064 S 6/2011 Raible  
 D645,251 S \* 9/2011 Lee ..... D3/301  
 D646,059 S 10/2011 Park  
 D650,584 S 12/2011 Kim  
 D656,315 S 3/2012 Kwon  
 D659,998 S 5/2012 Austin  
 D663,944 S 7/2012 Bouskill  
 D669,268 S 10/2012 Phillips et al.  
 D669,270 S 10/2012 Phillips et al.  
 D672,143 S 12/2012 Buie, II  
 D672,554 S 12/2012 Penttinen  
 D675,434 S 2/2013 Vernall et al.  
 D685,185 S 7/2013 Bulzis  
 D723,804 S 3/2015 Coleman  
 D731,792 S 6/2015 Lentner et al.  
 D739,142 S 9/2015 Coleman  
 D739,655 S 9/2015 Coleman  
 9,284,095 B2 3/2016 Caruth  
 9,364,062 B2 6/2016 Stukenkemper  
 9,375,063 B2 6/2016 Chen et al.  
 D762,385 S 8/2016 Horner  
 D773,814 S 12/2016 Barenbrug  
 D778,609 S 2/2017 Gardner et al.  
 D790,211 S \* 6/2017 Constantini ..... D3/205  
 D799,823 S 10/2017 Schartle  
 D807,639 S 1/2018 Peng et al.  
 D808,168 S 1/2018 Turczynskij  
 9,883,724 B2 2/2018 Woode  
 D817,641 S 5/2018 Yeh  
 D839,586 S 2/2019 Li  
 D839,587 S 2/2019 Beilman  
 D841,974 S \* 3/2019 Peng ..... D3/205  
 D850,105 S 6/2019 Case et al.  
 D854,827 S 7/2019 Yuan  
 D858,989 S 9/2019 Kim  
 D861,332 S 10/2019 Shin  
 D867,759 S \* 11/2019 Liu ..... D3/303  
 D874,144 S \* 2/2020 Itoi ..... D3/301  
 D879,462 S \* 3/2020 Si ..... D3/206  
 2006/0196744 A1 \* 9/2006 Greiner ..... A45C 13/02  
 190/110  
 2009/0127045 A1 5/2009 Williams et al.  
 2015/0090551 A1 4/2015 Sikka

FOREIGN PATENT DOCUMENTS

CN 305184092 S 5/2019  
 CN 305294243 S 8/2019  
 CN 305294245 S 8/2019  
 CN 305294260 S 8/2019  
 CN 305294261 S 8/2019  
 CN 305294285 S 8/2019  
 CN 305369156 S 10/2019  
 CN 305387195 S 10/2019  
 CN 305387260 S 10/2019  
 CN 305398199 S 10/2019

CN 305405048 S 10/2019  
 CN 305405057 S 10/2019  
 CN 305406915 S 10/2019  
 CN 305410731 S 11/2019  
 CN 305414892 S 11/2019  
 CN 305414980 S 11/2019  
 CN 305443214 S 11/2019  
 CN 305462417 S 11/2019  
 CN 305468346 S 12/2019  
 CN 305468349 S 12/2019  
 CN 305468350 S 12/2019  
 CN 305468401 S 12/2019  
 CN 305476120 S 12/2019  
 CN 305481981 S 12/2019  
 CN 305490841 S 12/2019  
 CN 305501554 S 12/2019  
 JP D1375860 S 6/2009  
 JP 1478467 S 8/2013  
 JP D1516961 S 1/2015  
 JP D1641293 S 8/2019  
 JP D1641294 S 8/2019  
 JP D1642227 S 9/2019  
 JP D1647306 S 12/2019  
 WO D063963-0002 7/2003  
 WO D094311-005 1/2017  
 WO D204039-001 11/2019

OTHER PUBLICATIONS

JJ Power Travel Packing Cubes, announced Aug. 8, 2017 [online], [site visited Dec. 17, 2021]. Available from internet, URL: <https://www.amazon.com/JJ-POWER-Lightweight-Packing-function/dp/B01MU18ORU?th=1> (Year: 2017).\*

YAMIU Packing Cubes, available Jun. 6, 2017 [online], [site visited Dec. 17, 2021]. Available from internet, URL: <https://www.amazon.com/YAMIU-Packing-Organizer-Accessories-Toiletry/dp/B071JR4F7X> (Year: 2017).\*

GOX Ultra Light 5 piece Packing Cubes, announced Jul. 27, 2017 [online], [site visited Dec. 17, 2021]. Available from internet, URL: <https://www.amazon.com/GOX-Packing-Luggage-Organizers-Laundry/dp/B0749LXCXG/> (Year: 2017).\*

Jan. 14, 2021—(CN) 1st Notification of Making Rectification—App. No. 202030566103.0.

Feb. 25, 2021—(CN) First Office Action—App. No. 202030580069.2.

amazon.com, Taskin Compression Parking Cubes Genuine YKK Zippers, Published date unknown, but prior to the final date of the present application, site visited Dec. 27, 2019, available from the Internet URL: [https://www.amazon.com/Taskin-Compression-Packing-Premium-Genuine/dp/B07Q11SZ7W/ref=sr\\_1\\_32?hvadid=78615136008956&hvbm=be&hvdev=c&hvqmt=e&keywords=packing+cubes+compression&qid=15656274758s=gateway&sr=8-32](https://www.amazon.com/Taskin-Compression-Packing-Premium-Genuine/dp/B07Q11SZ7W/ref=sr_1_32?hvadid=78615136008956&hvbm=be&hvdev=c&hvqmt=e&keywords=packing+cubes+compression&qid=15656274758s=gateway&sr=8-32).

amazon.com, LeanTravel Compression Packing Cubes Luggage Organizers For Travel With Double Zipper—Set of 3—Color Black, Published date unknown, but prior to the final date of the present application, site visited Dec. 27, 2019, available from the Internet URL: <https://www.amazon.com/dp/B07BFK15TW/>.

amazon.com, Bagail 4 Set Compression Packing Cubes Travel Expandable Packing, Purple, Size M, Published date unknown, but prior to the filing date of the present application, site visited Dec. 27, 2019, available from the Internet URL: [https://www.amazon.com/dp/B07LF1TJQN/ref=sspa\\_dk\\_detail\\_1?psc=1&pd\\_rd\\_w=2fYzu&pf\\_rd\\_p=8a8f33917-7900-4ce8-ad90-adf0d53c0985&pd\\_rd\\_wg=erpXk&pf\\_rd\\_r=YVXQGB1EKANSQKX7F8EV&pd\\_rd\\_r=4e86396d-e58b-4c89-a950](https://www.amazon.com/dp/B07LF1TJQN/ref=sspa_dk_detail_1?psc=1&pd_rd_w=2fYzu&pf_rd_p=8a8f33917-7900-4ce8-ad90-adf0d53c0985&pd_rd_wg=erpXk&pf_rd_r=YVXQGB1EKANSQKX7F8EV&pd_rd_r=4e86396d-e58b-4c89-a950).

Jan. 6, 2022—(CA) Examination Report—App. No. 198339.

Jan. 6, 2022—(CA) Office Action—App. No. 198326.

\* cited by examiner

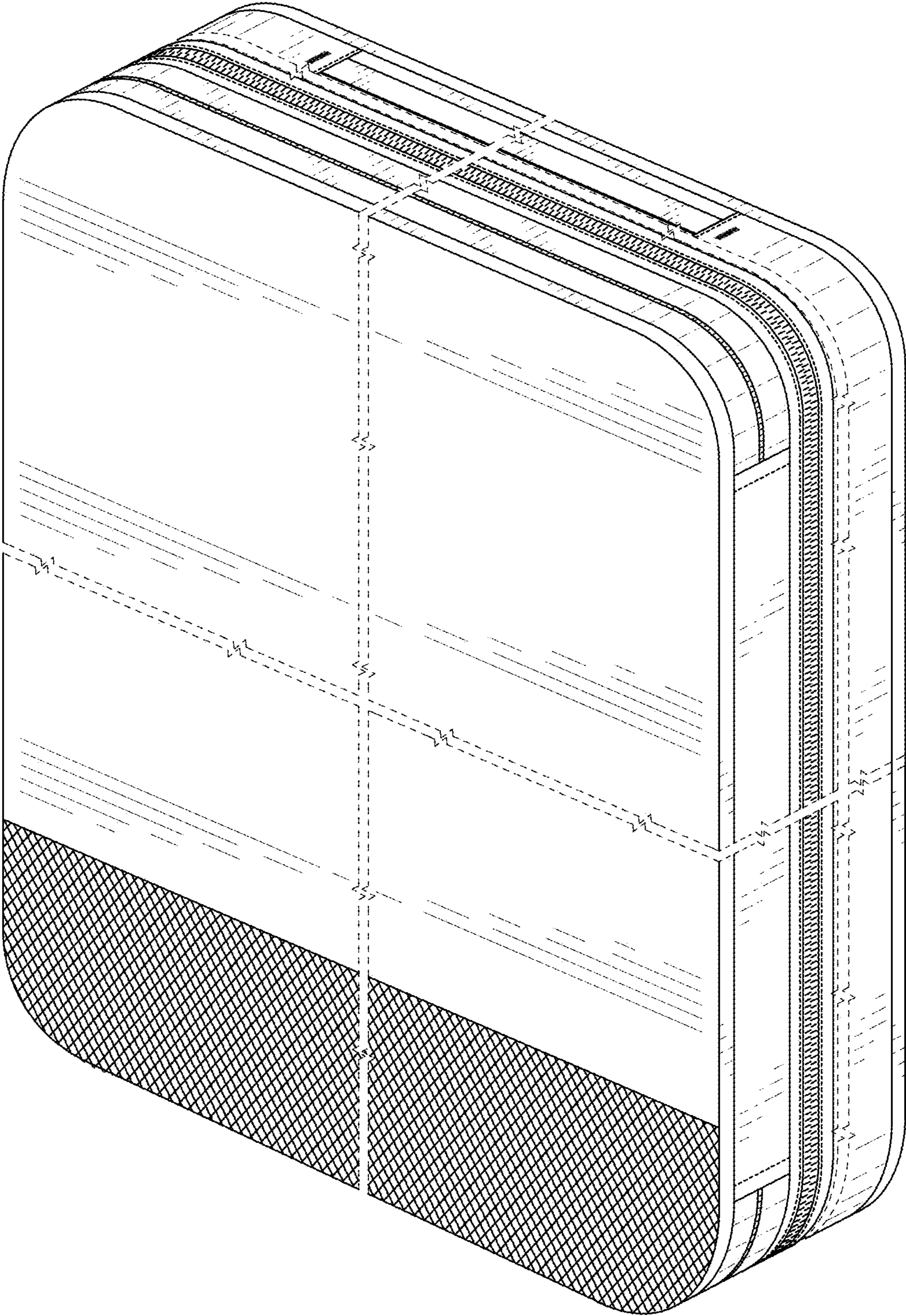


FIG. 1

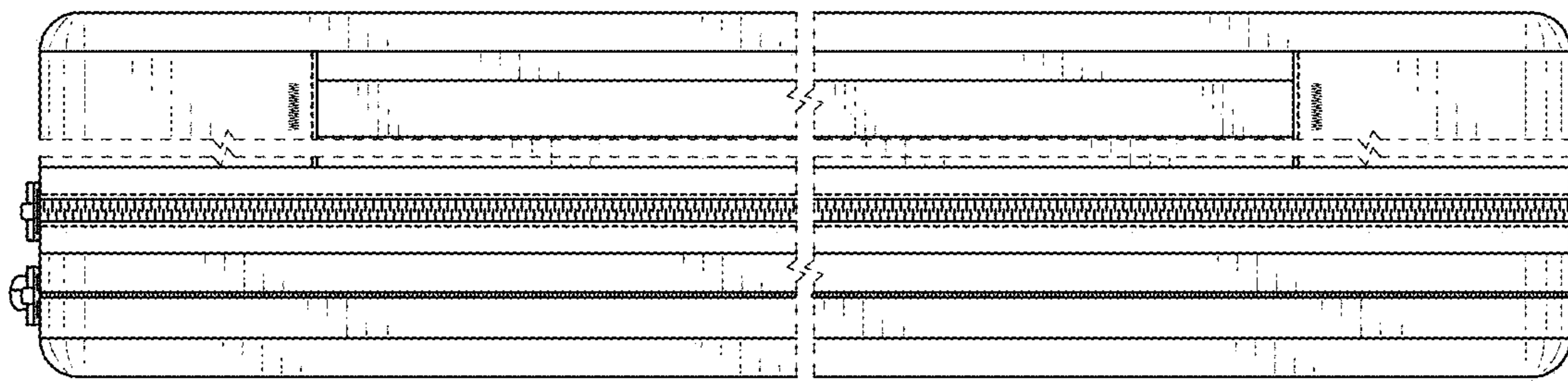


FIG. 2

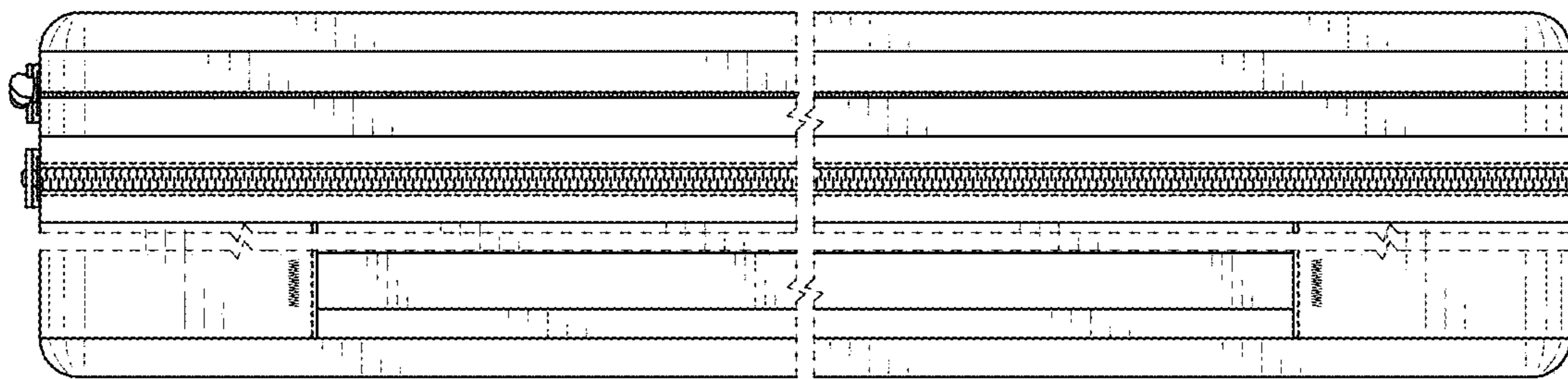


FIG. 3

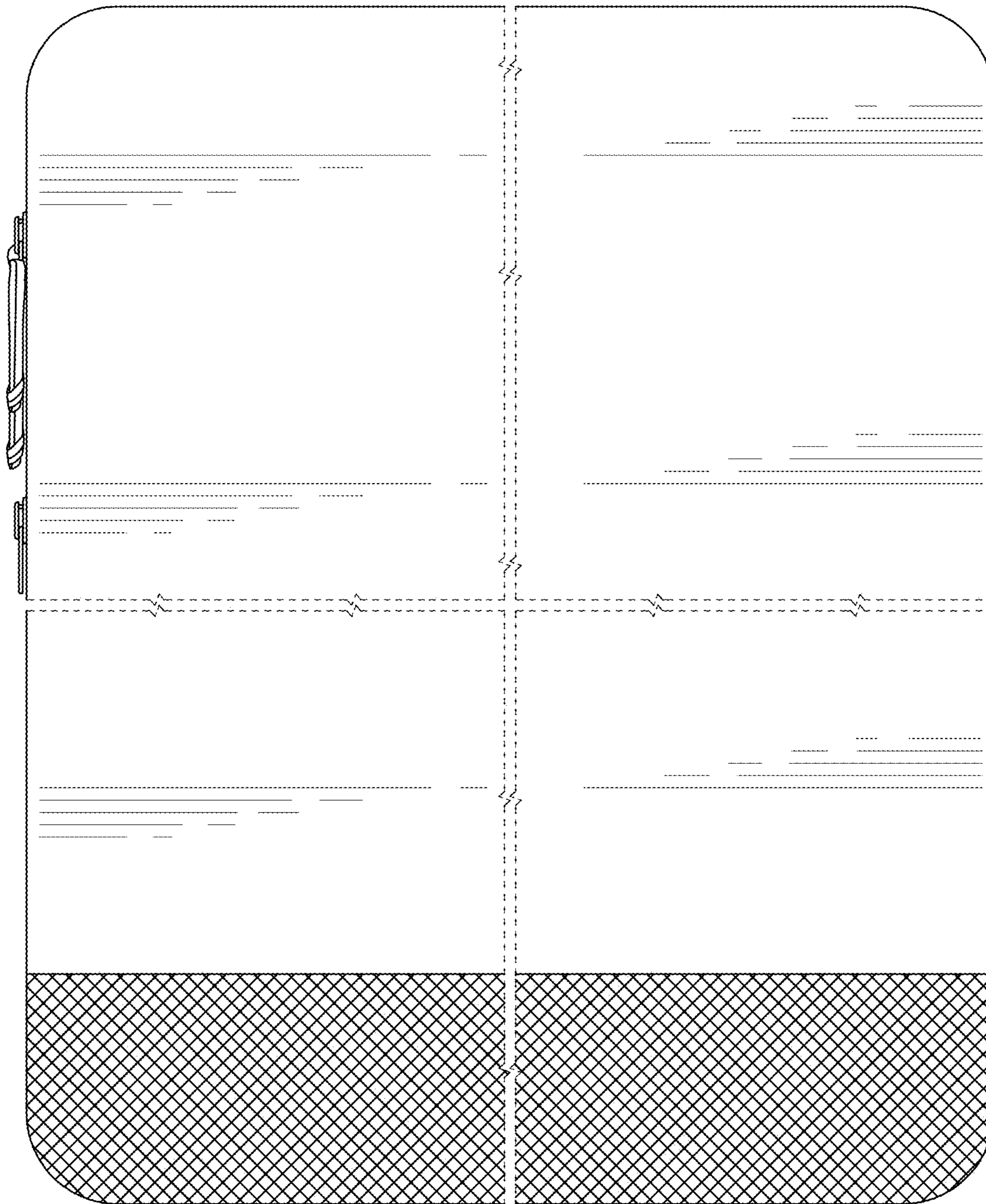


FIG. 4

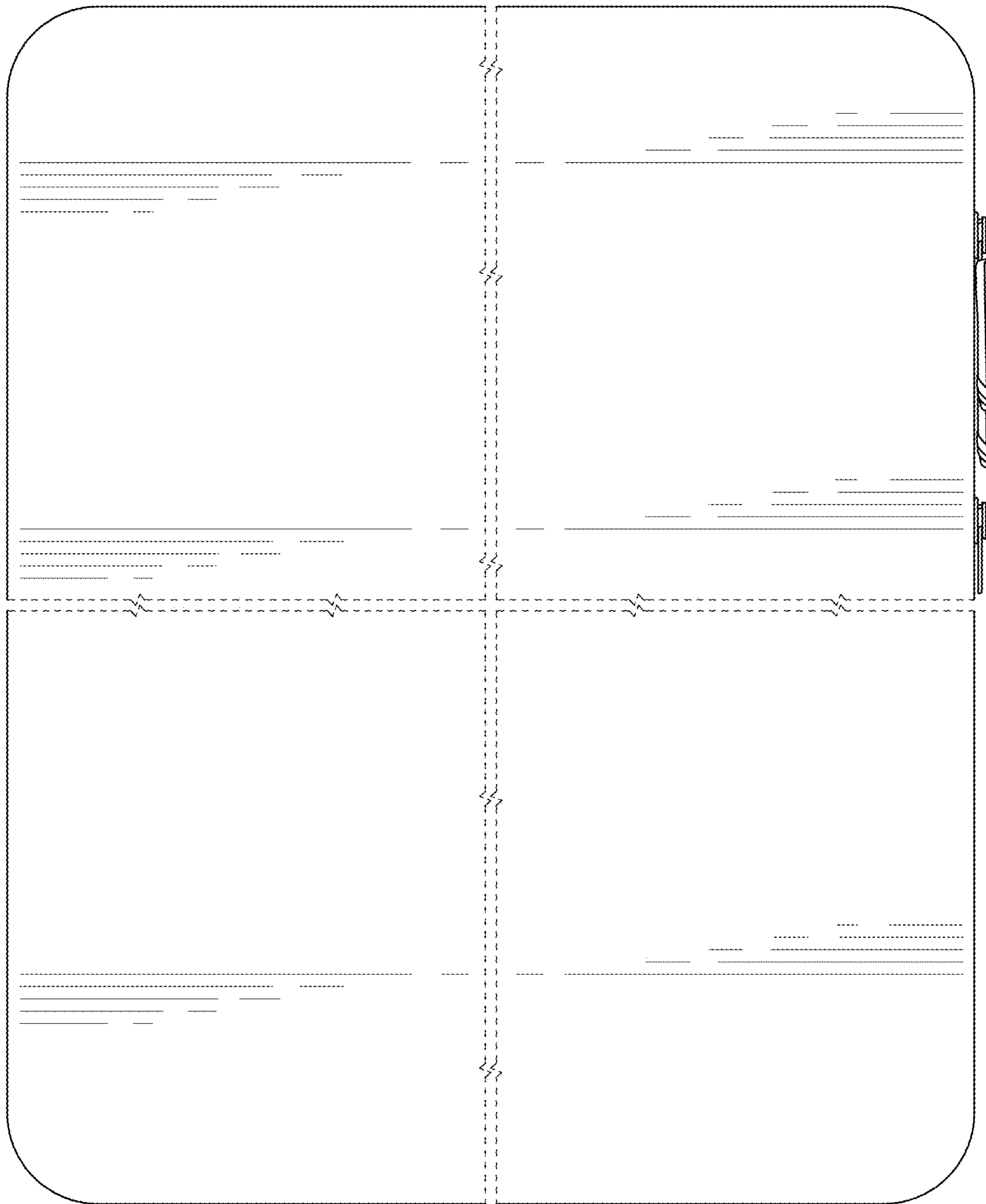


FIG. 5

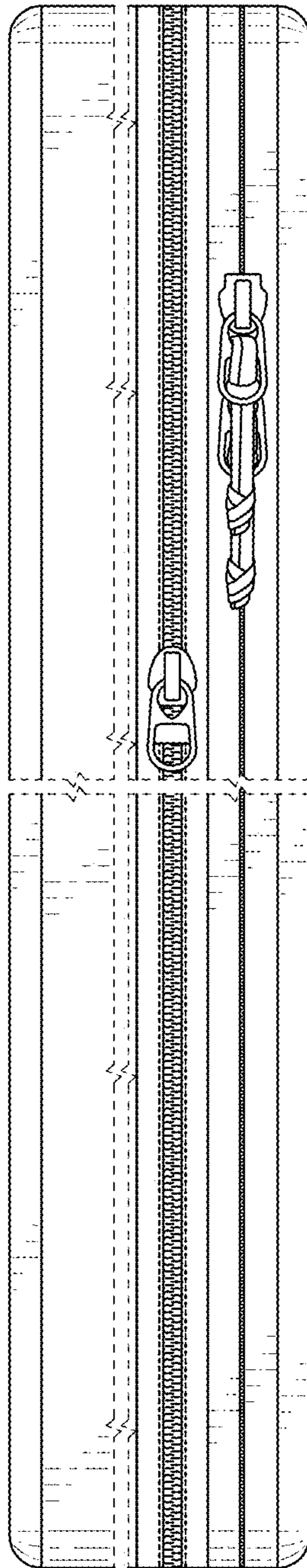


FIG. 6



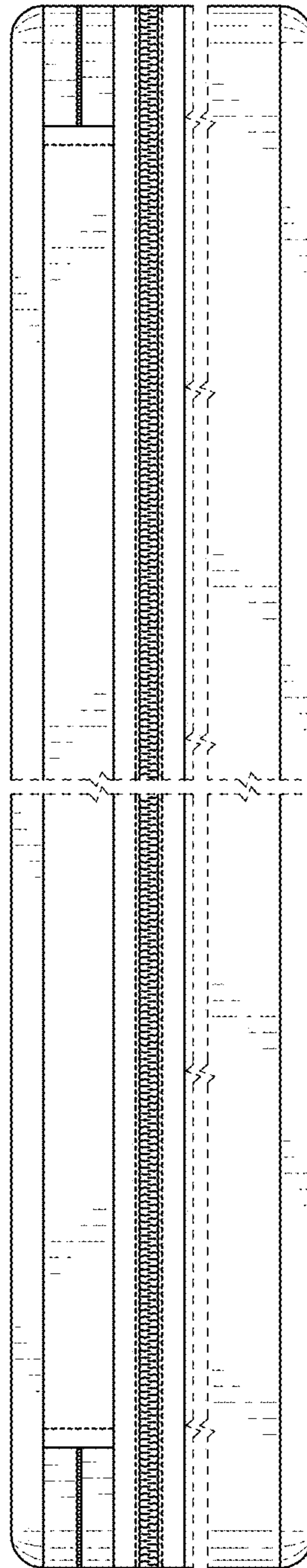


FIG. 7

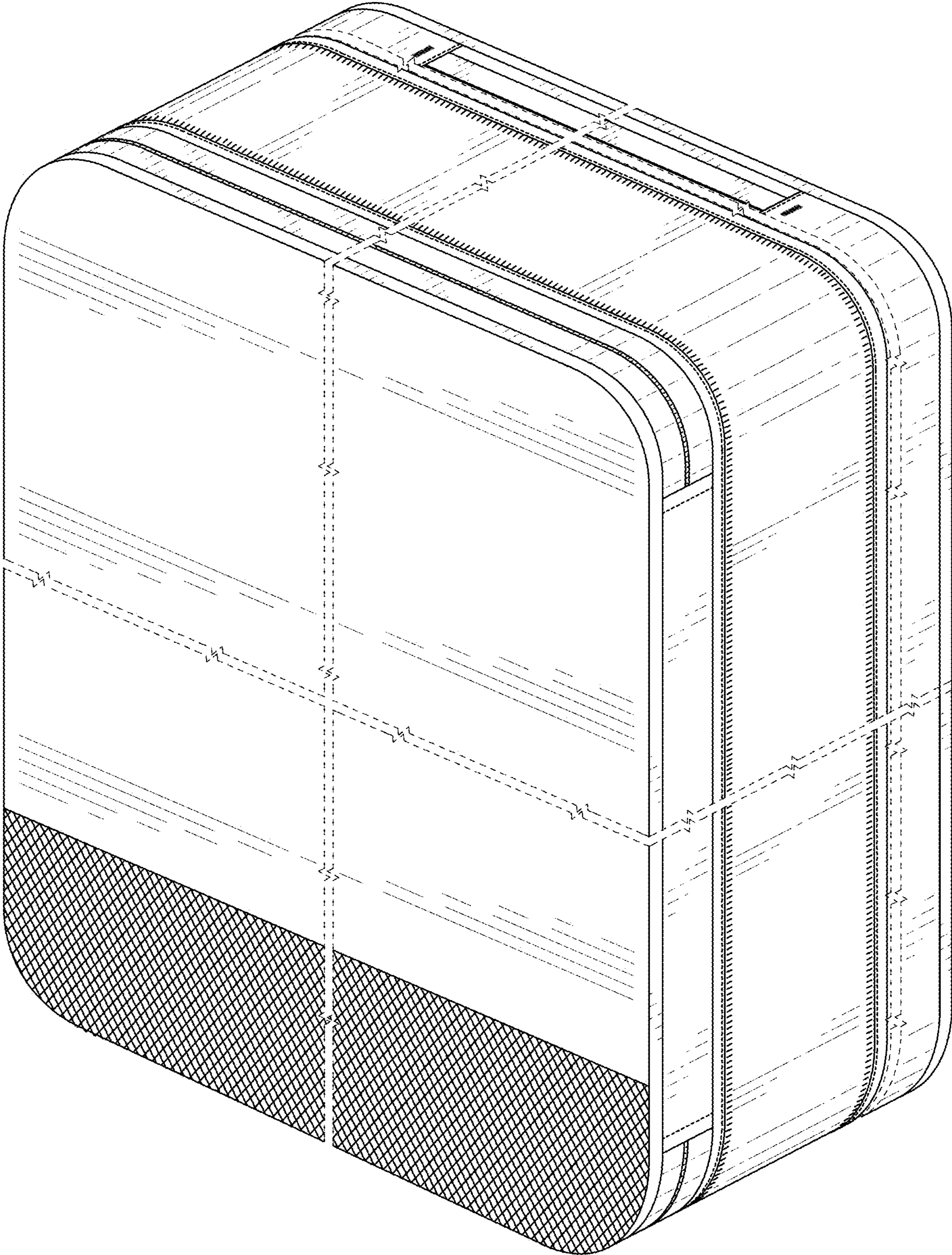


FIG. 8

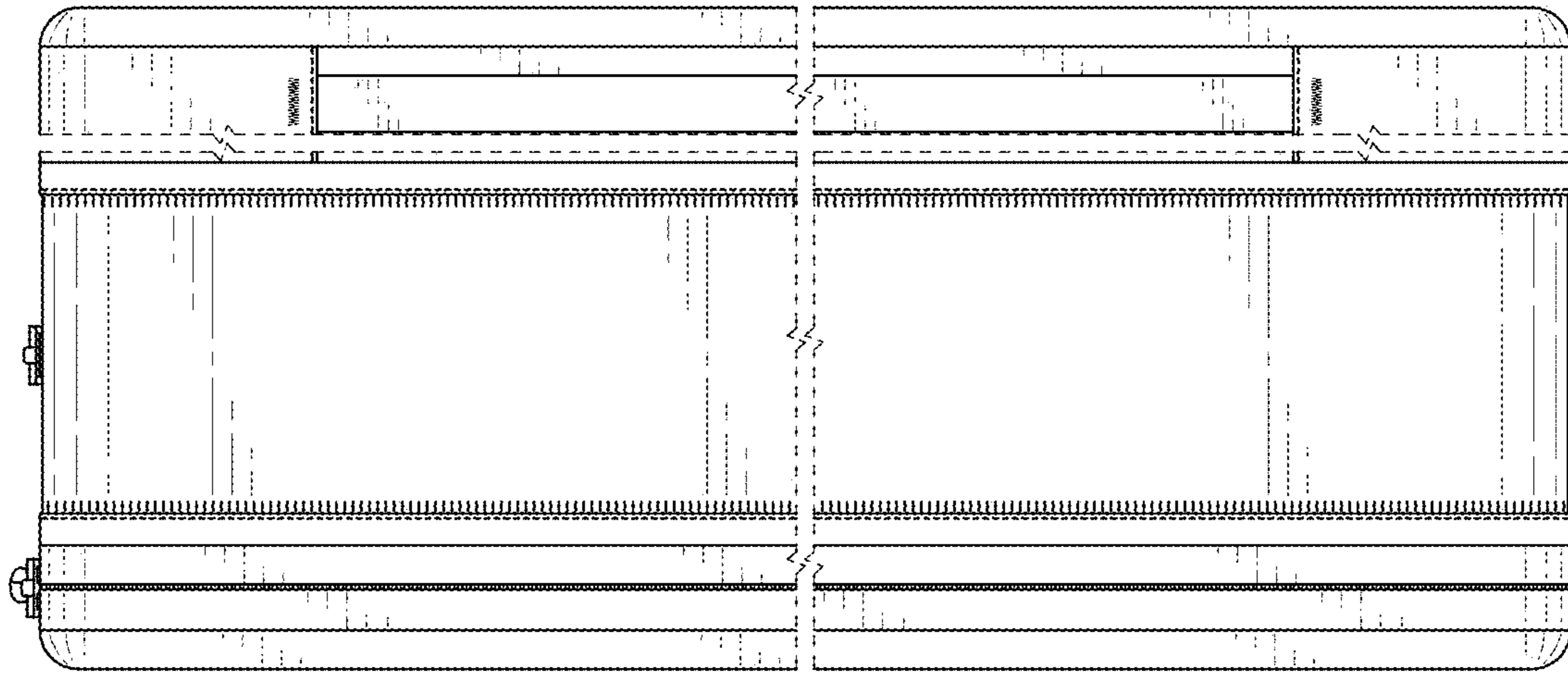


FIG. 9

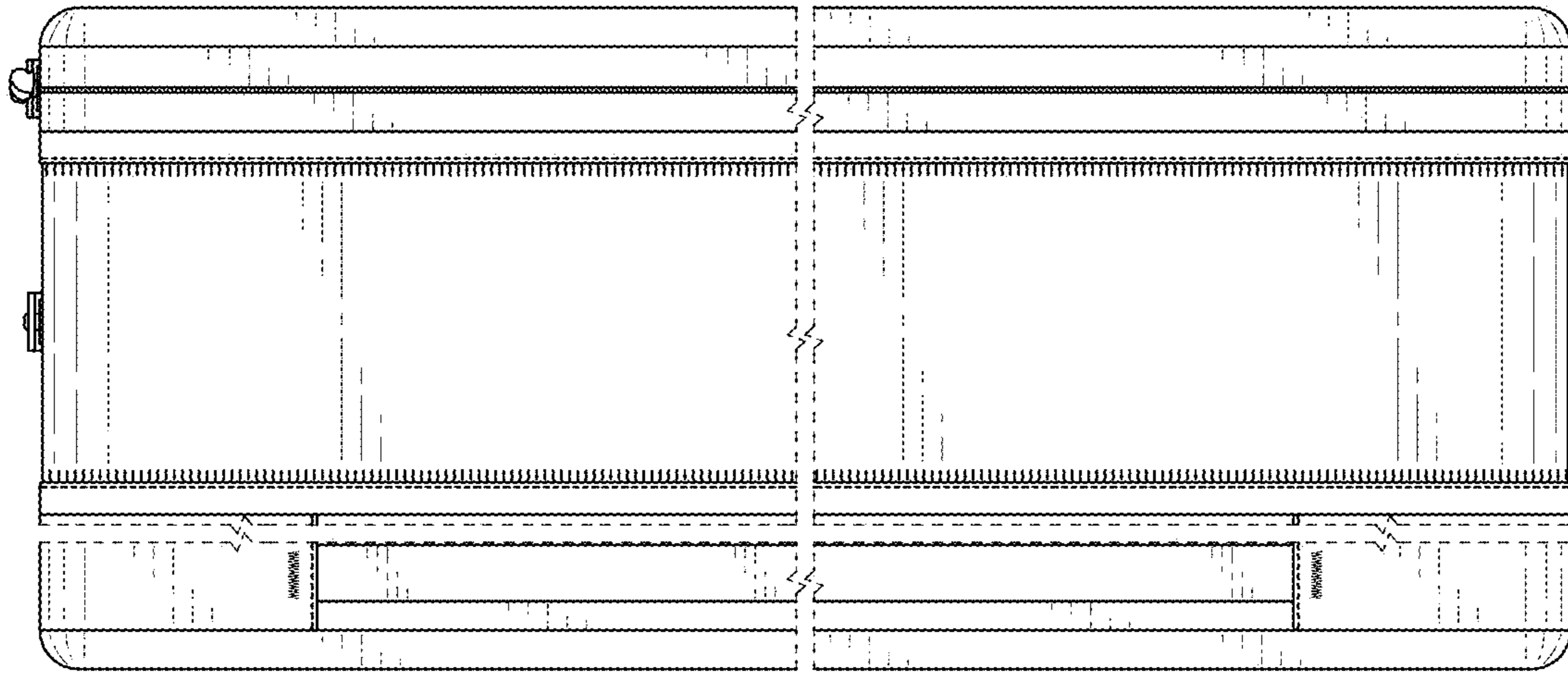


FIG. 10

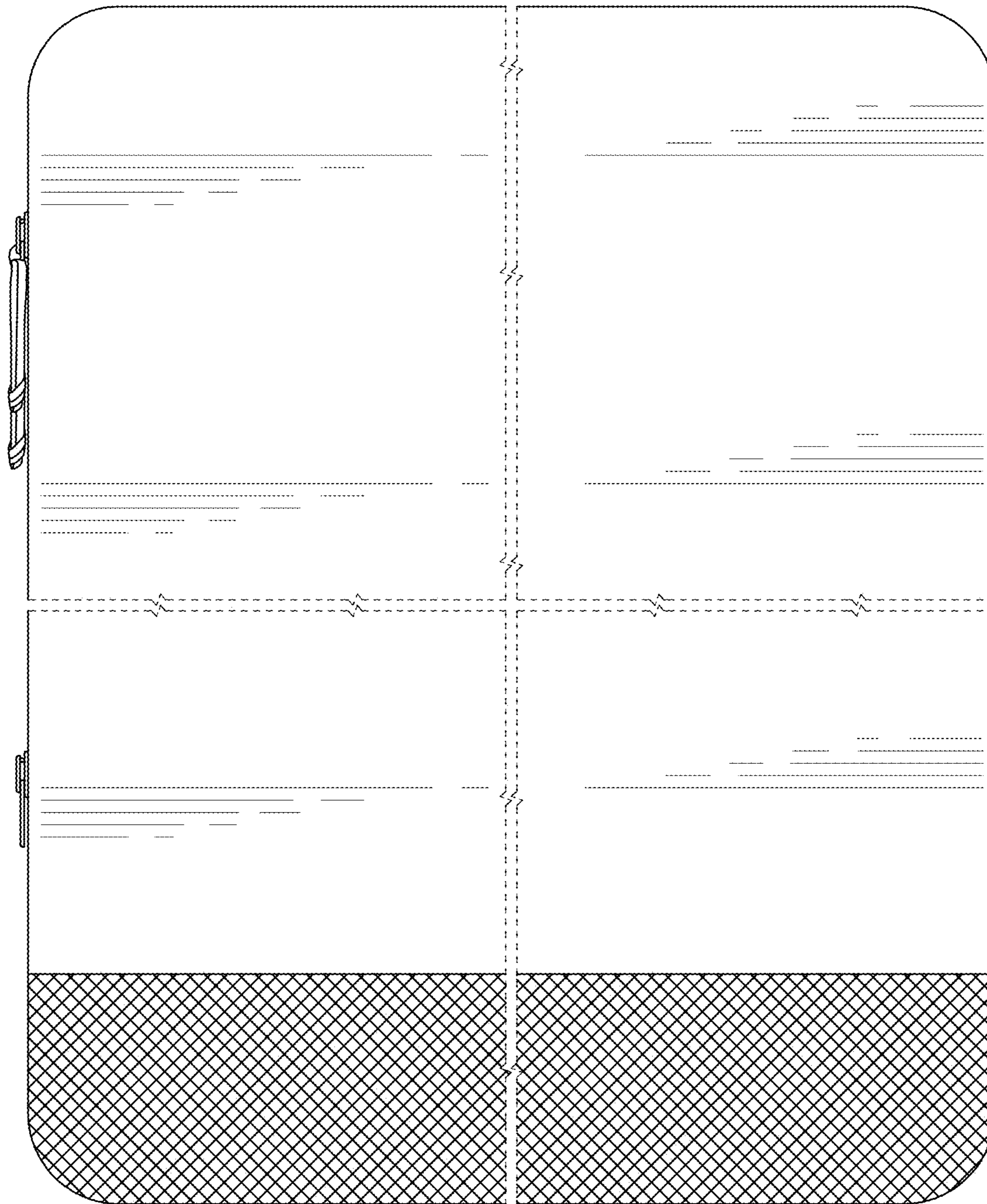


FIG. 11

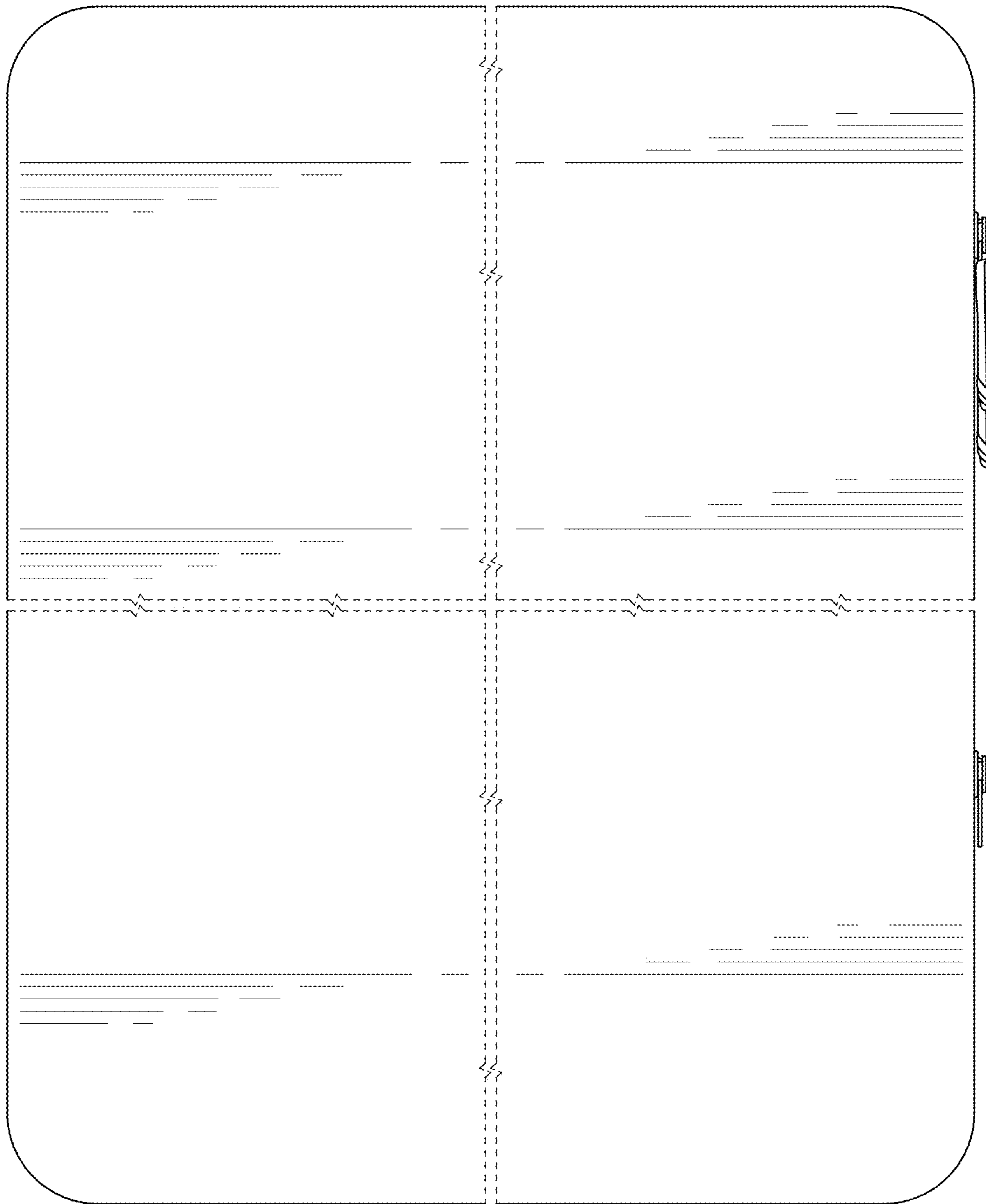


FIG. 12

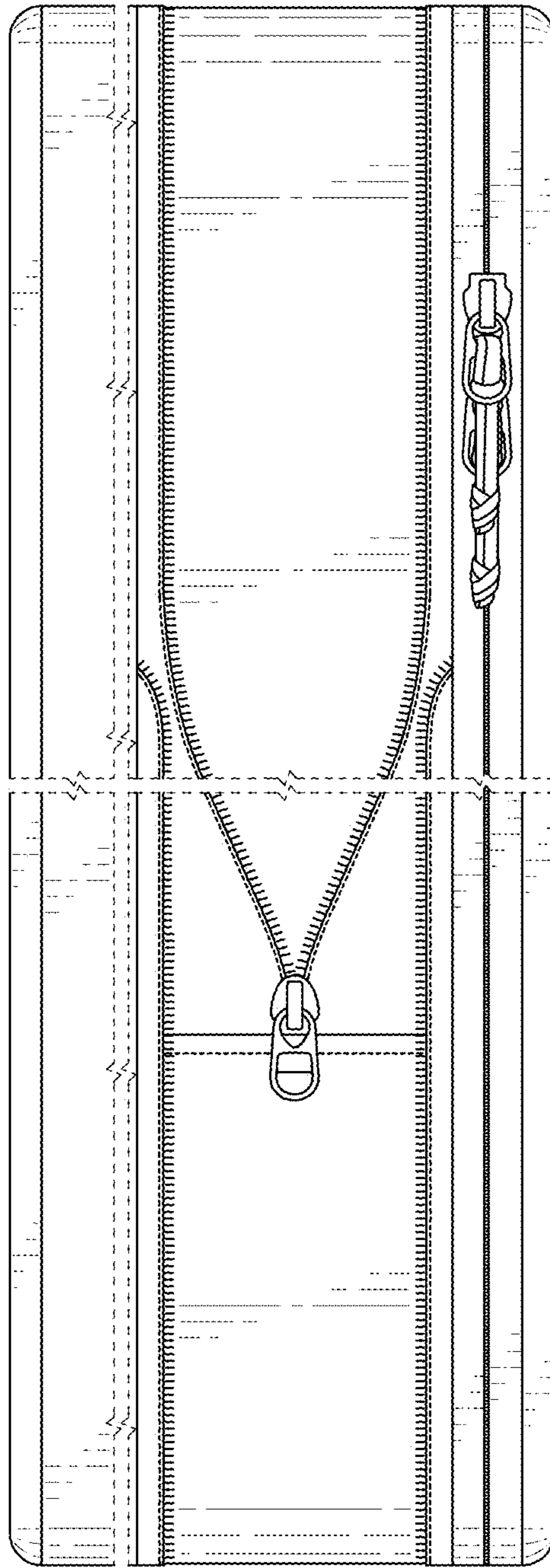


FIG. 13

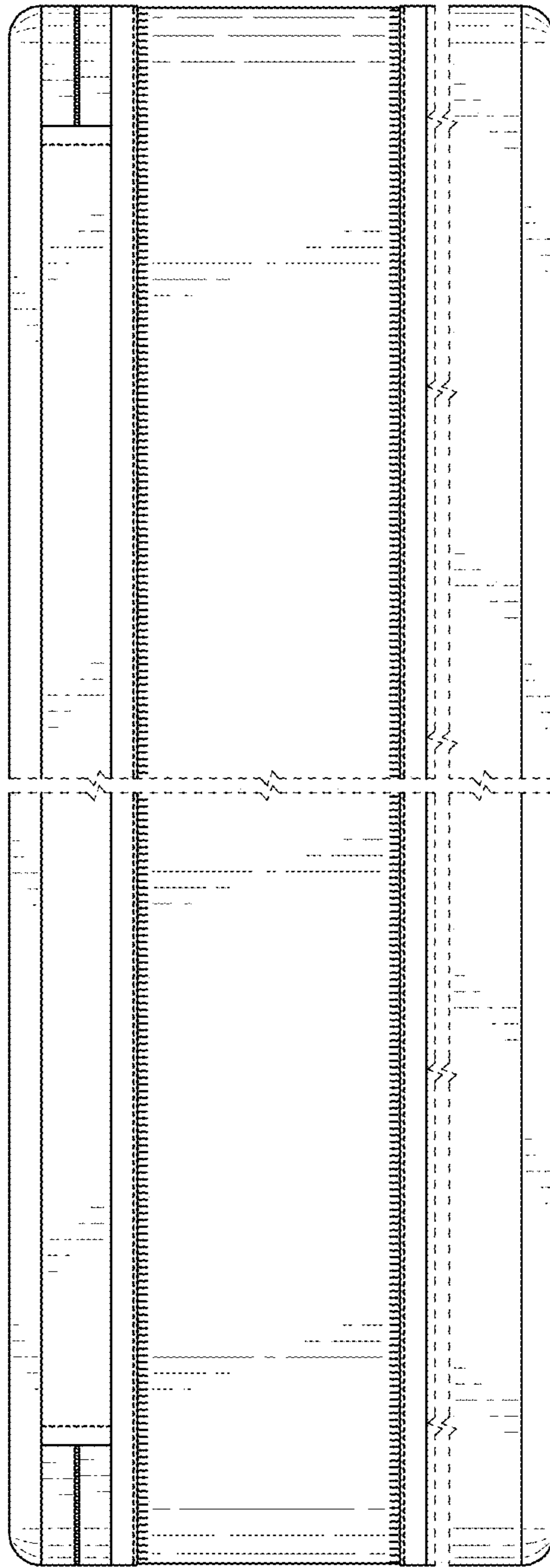


FIG.14