



US00D953034S

(12) **United States Design Patent**
Zhong

(10) **Patent No.:** **US D953,034 S**

(45) **Date of Patent:** **** May 31, 2022**

(54) **BORESNAKE STORAGE BOX**

(71) Applicant: **Huali Zhong**, Shantou (CN)

(72) Inventor: **Huali Zhong**, Shantou (CN)

(**) Term: **15 Years**

(21) Appl. No.: **29/697,140**

(22) Filed: **Jul. 3, 2019**

(51) **LOC (13) Cl.** **03-01**

(52) **U.S. Cl.**
USPC **D3/294**

(58) **Field of Classification Search**
USPC D3/201, 262, 273-276, 294-302, 904,
D3/905; D7/601, 602, 609, 619.1,
D7/631-633, 635, 637, 638; D9/414,
D9/420-423, 434, 435, 499, 700, 701;
D13/108

See application file for complete search history.

(56) **References Cited**

U.S. PATENT DOCUMENTS

D106,124 S *	9/1937	Pratt	D3/905
D152,246 S *	1/1949	Federico	D3/905
4,703,519 A *	10/1987	Krenzel	A45C 3/02
				D3/270
D316,330 S *	4/1991	Vicento	D3/905
D357,067 S *	4/1995	Laun	D3/203.1
D370,675 S *	6/1996	Kirk, III	D3/905
D397,547 S *	9/1998	Goodwin	D3/206
D404,202 S *	1/1999	Neyton	D3/295
D404,916 S *	2/1999	Dickinson	D3/905
D430,727 S *	9/2000	Wisniewski	D3/265
D440,397 S *	4/2001	Bardet	D3/201
D441,951 S *	5/2001	Cheng	D3/203.2
D463,276 S *	9/2002	Piscopo	D9/423
D469,287 S *	1/2003	Mathews	D9/734
D481,532 S *	11/2003	Sayers	D3/203.1

D496,586 S *	9/2004	Belser	D9/425
D502,868 S *	3/2005	Cattaruzza	D9/423
D518,287 S *	4/2006	Margiotta	D3/203.3

(Continued)

FOREIGN PATENT DOCUMENTS

CA	85040	*	10/1998
CN	307075569	*	1/2022

(Continued)

OTHER PUBLICATIONS

Raiseek 2-Pack Bore Cleaner, available at amazon.com, earliest date available Sep. 11, 2019 [online], site visited Feb. 18, 2022, available from the internet URL: <https://www.amazon.com/Raiseek-Cleaner-Cleaning-System-5-56mm/dp/B082FDRBRZ?th=1> (Year: 2019).*

(Continued)

Primary Examiner — S. Bryan Reinholdt, Jr.

Assistant Examiner — Jillian Mazzola

(57) **CLAIM**

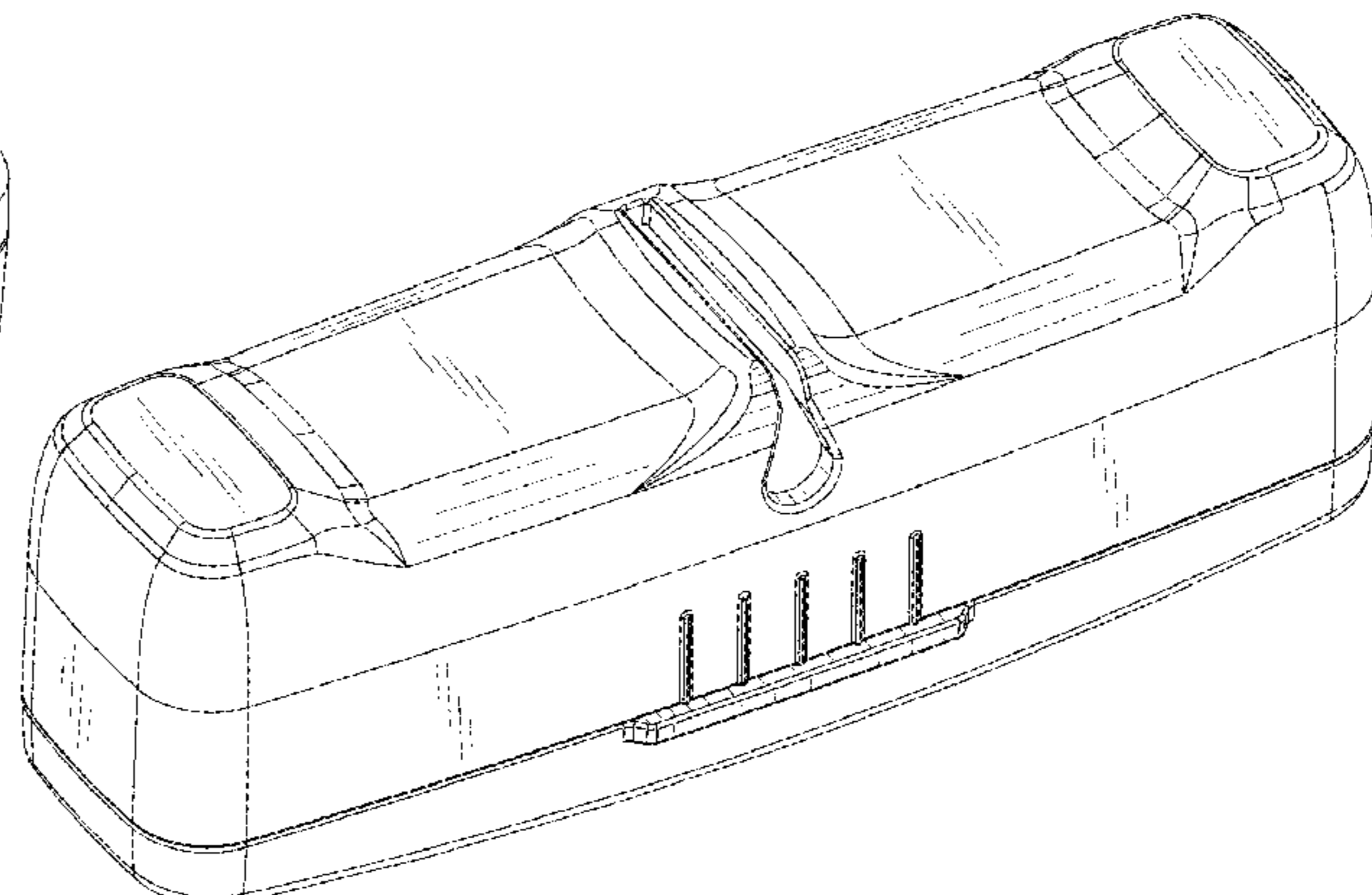
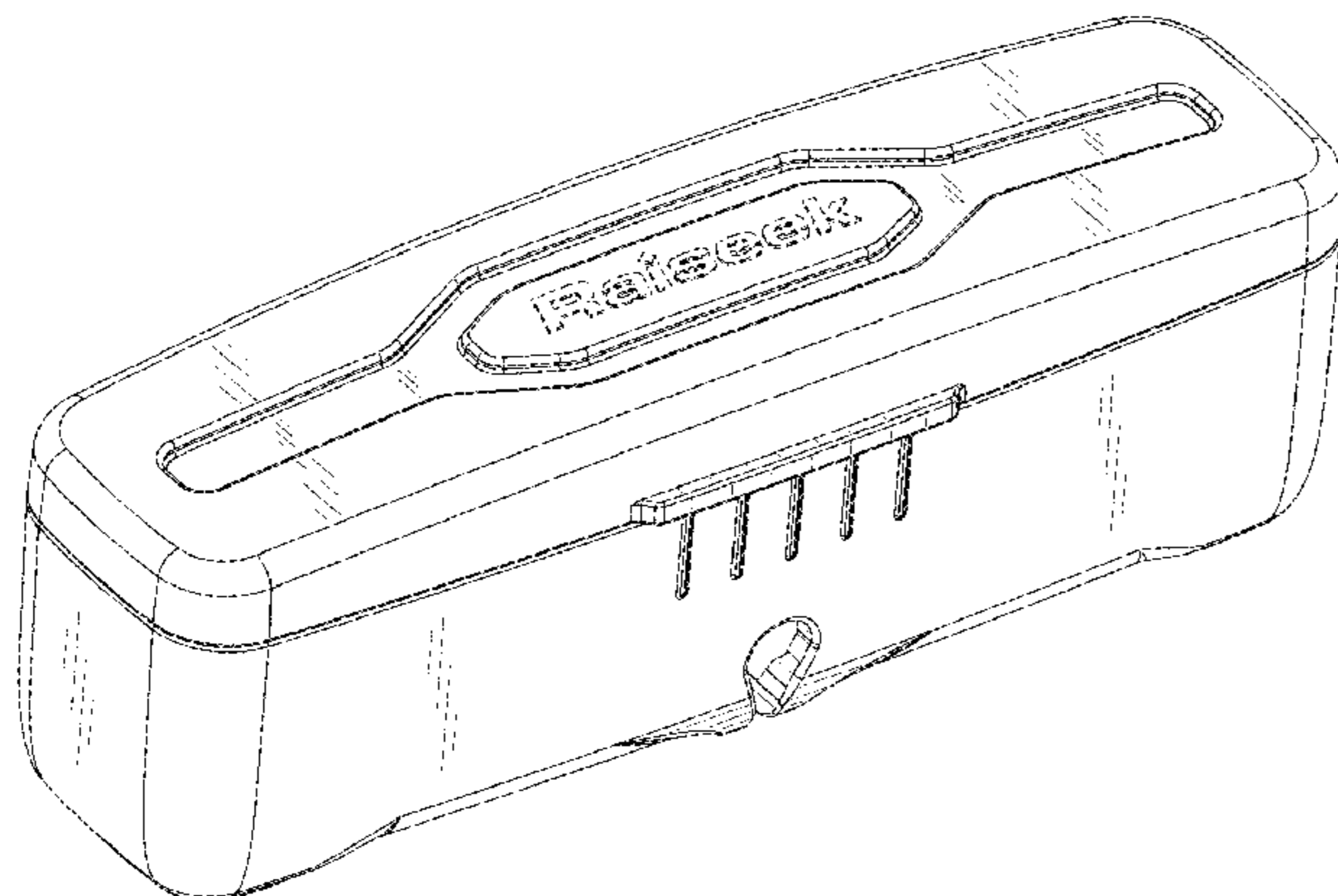
The ornamental design for a boresnake storage box, as shown and described.

DESCRIPTION

FIG. 1 is a front, top perspective view of a boresnake storage box showing my new design;
FIG. 2 is a front, bottom perspective view thereof;
FIG. 3 is a front elevational view thereof;
FIG. 4 is a rear elevational view thereof;
FIG. 5 is a left side elevational view thereof;
FIG. 6 is a right side elevational view thereof;
FIG. 7 is a top plan view thereof; and,
FIG. 8 is a bottom plan view thereof.

The broken lines shown in the figures are for the purpose of illustrating portions of the boresnake storage box, which form no parts of the claimed design.

1 Claim, 5 Drawing Sheets



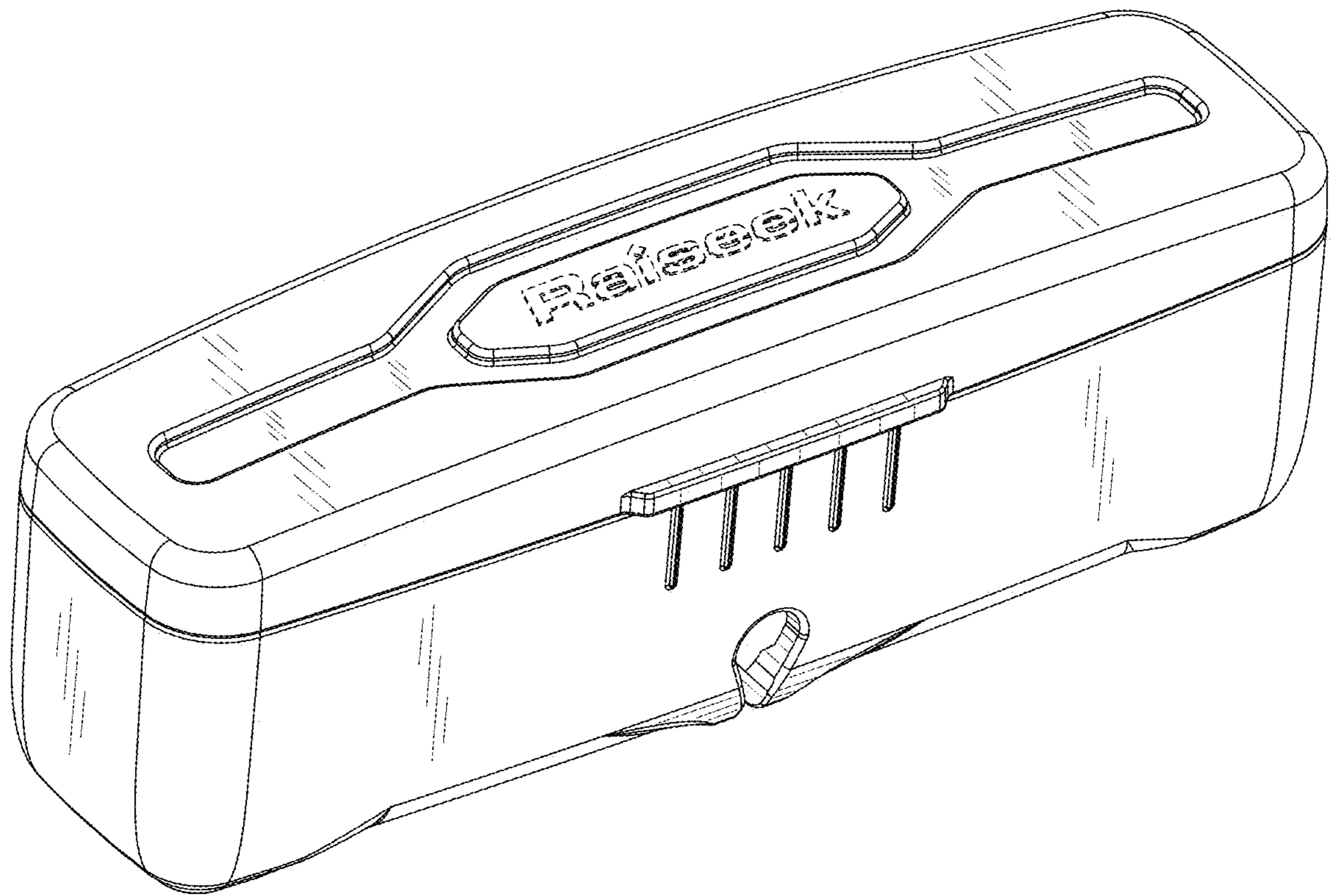


FIG.1

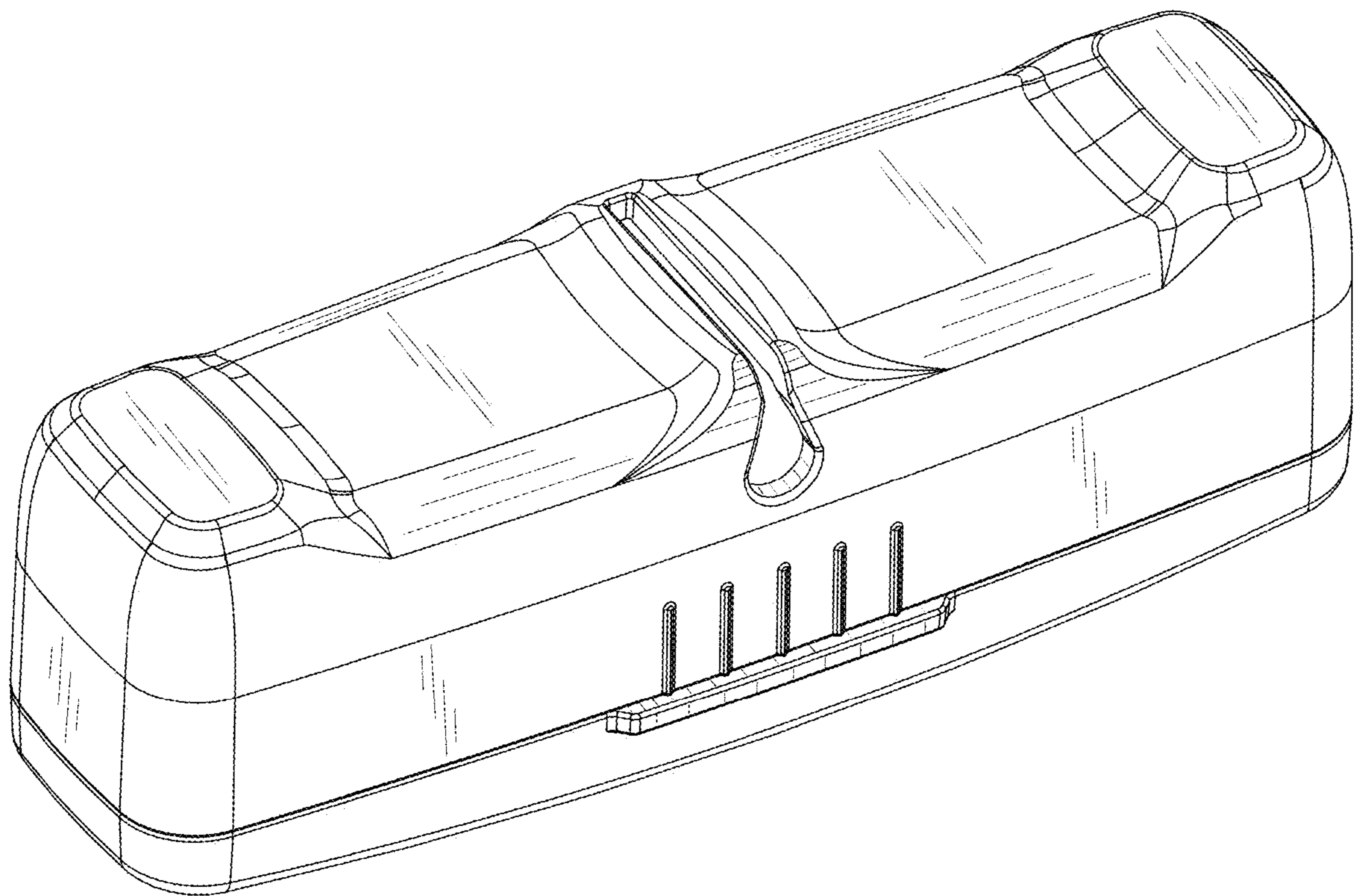


FIG.2

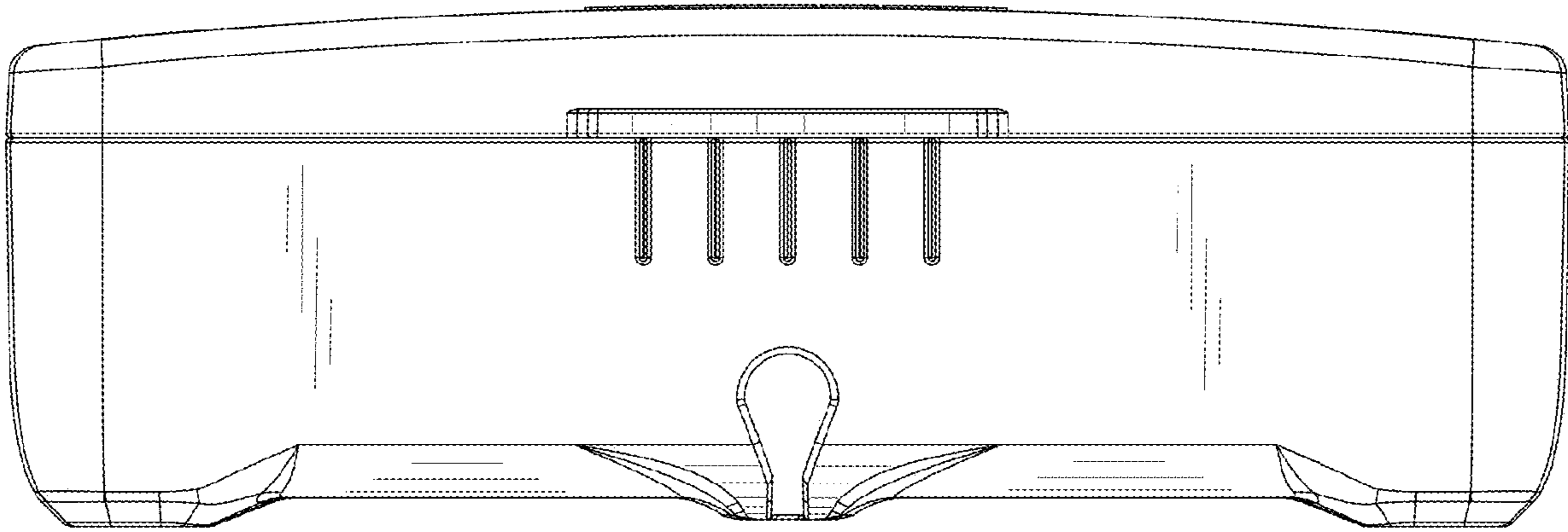


FIG.3

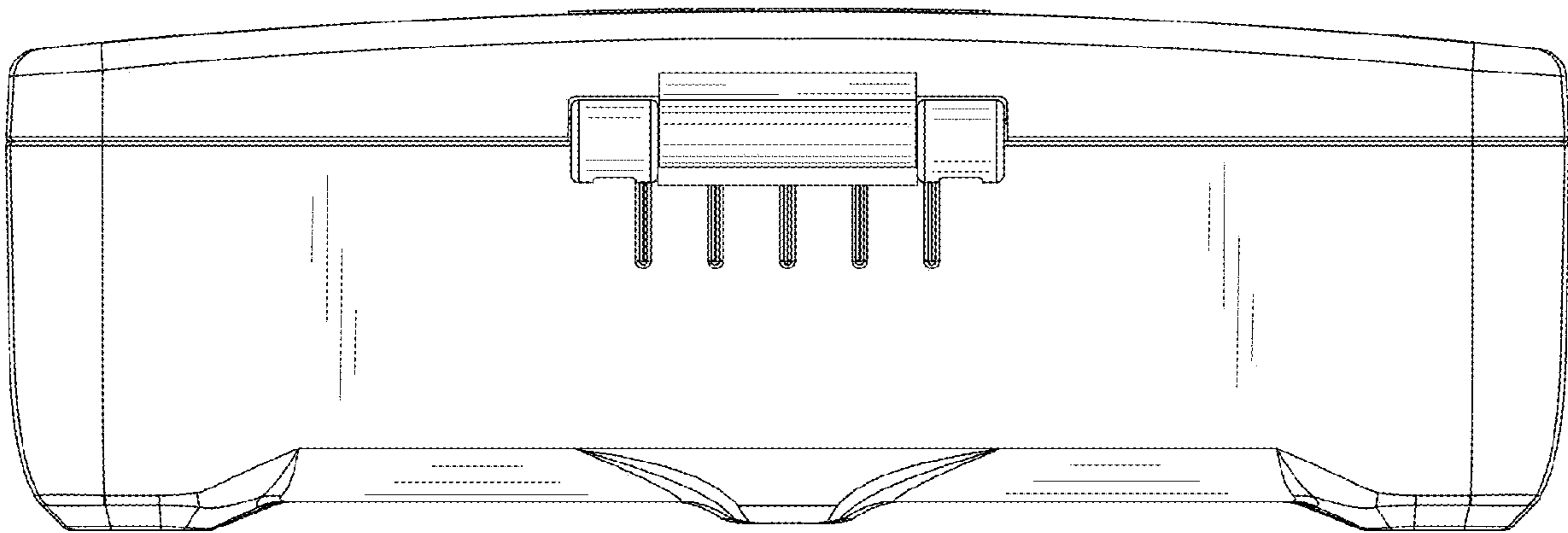


FIG.4

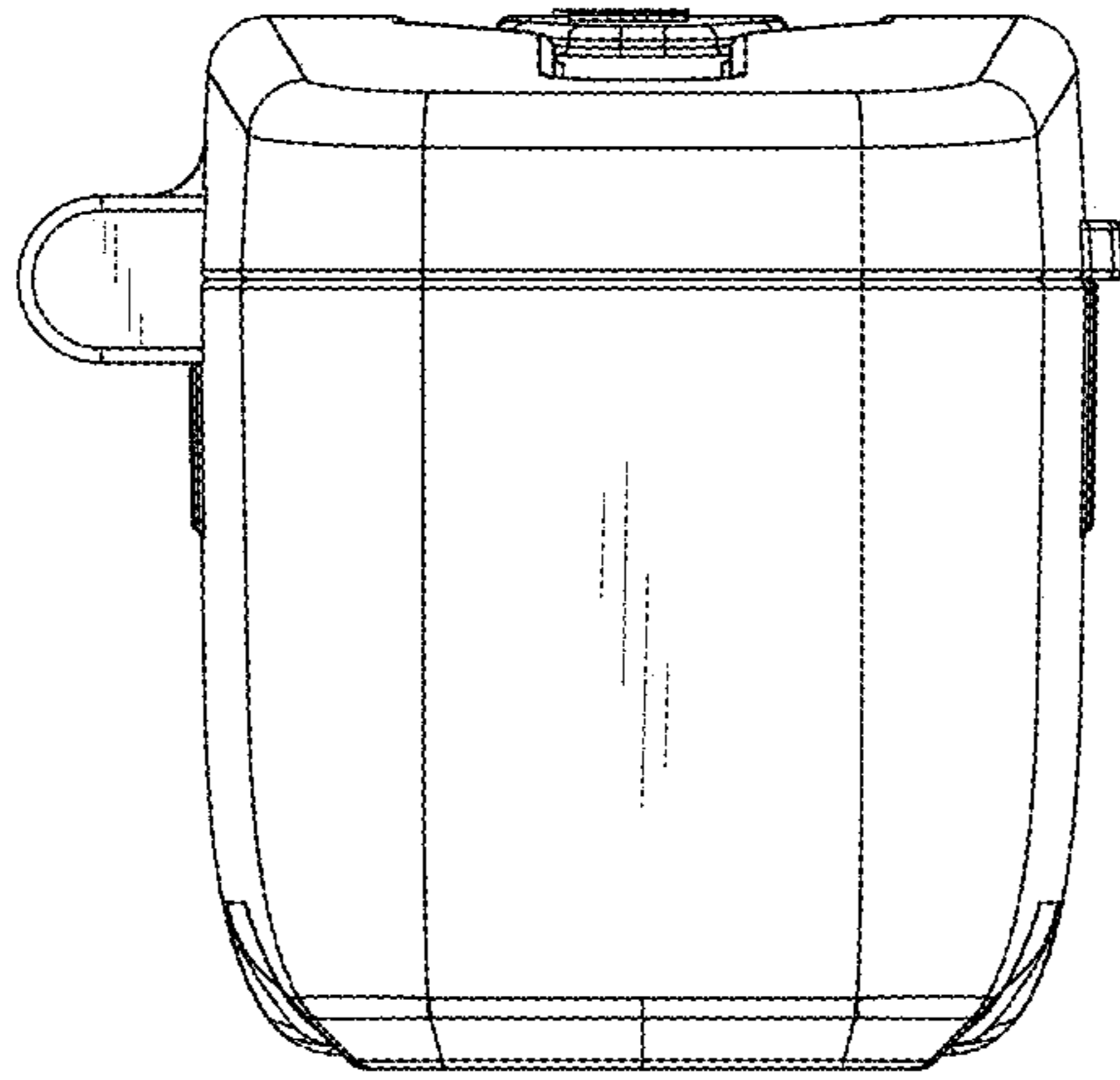


FIG. 5

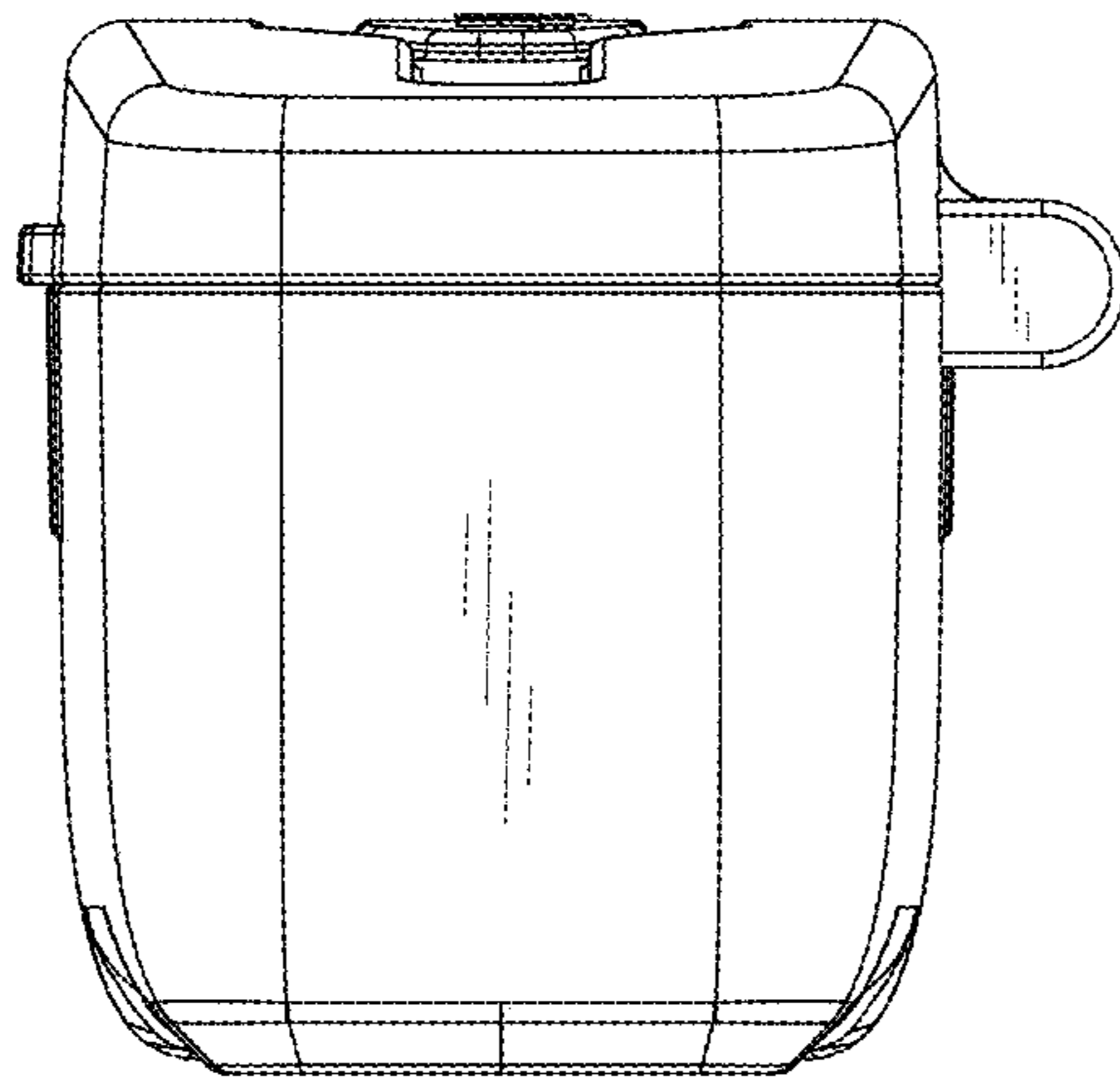


FIG. 6

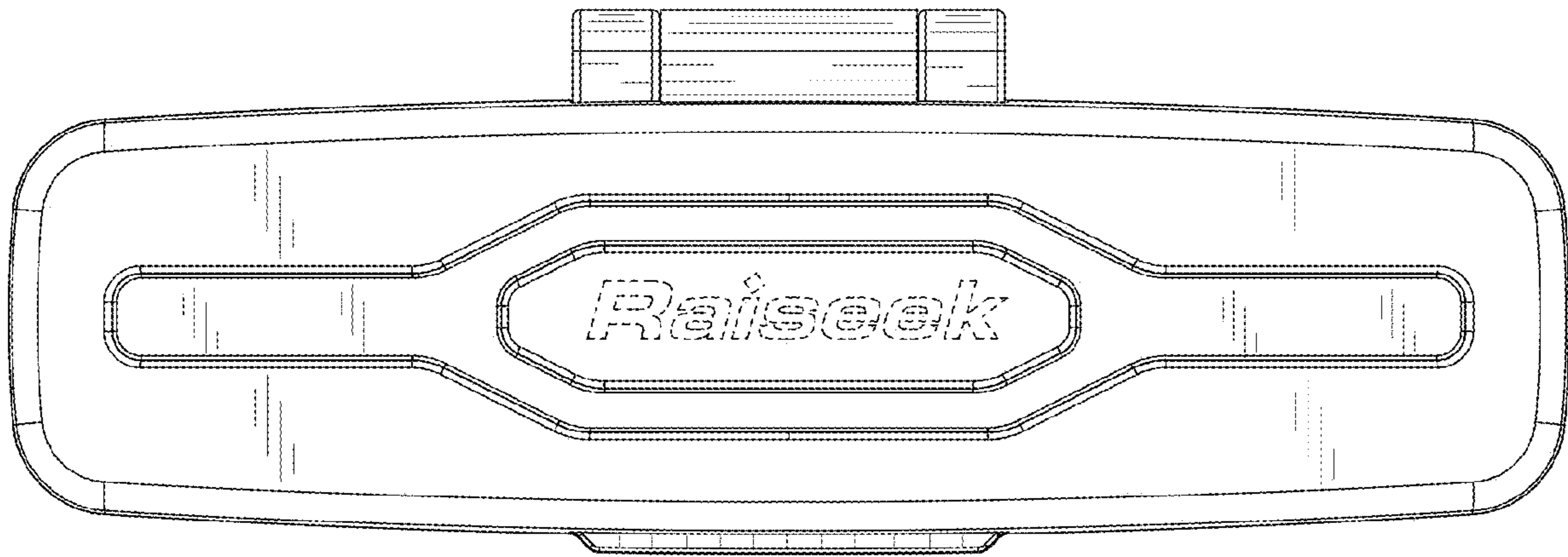


FIG.7

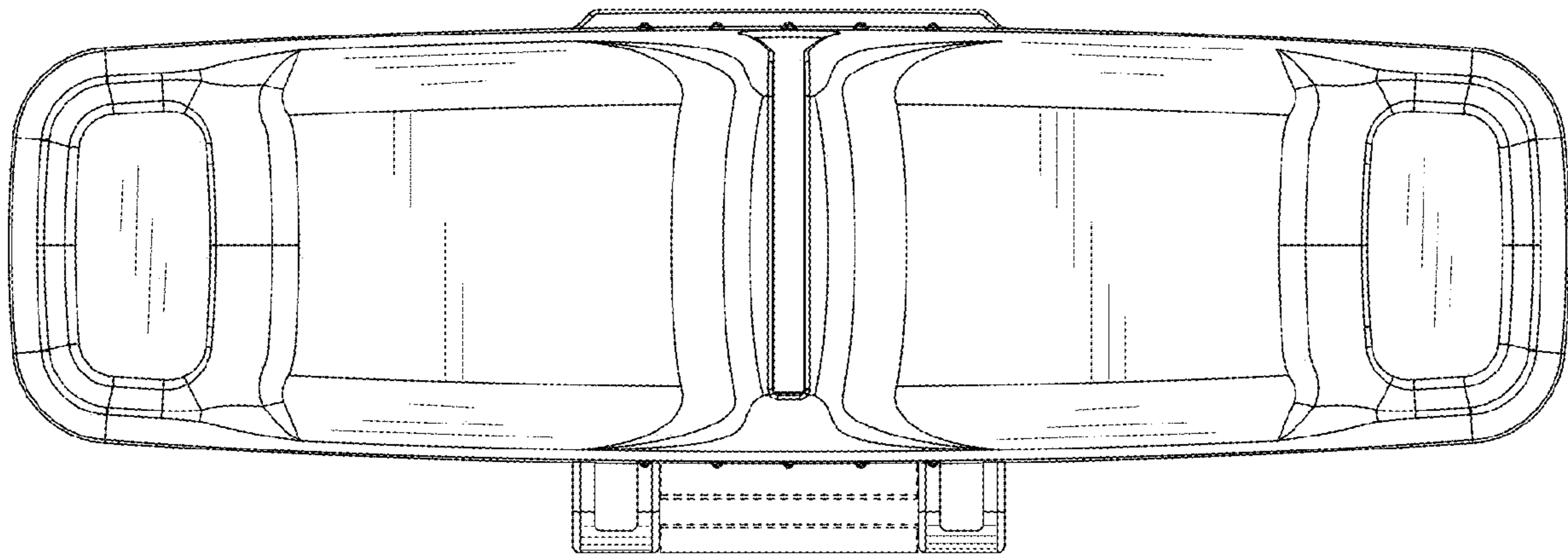


FIG.8