



US00D953031S

(12) **United States Design Patent** (10) **Patent No.:** **US D953,031 S**
Gadenne (45) **Date of Patent:** **** May 31, 2022**

(54) **LUGGAGE**

D811,743 S * 3/2018 Barenbrug D3/279
D920,666 S * 6/2021 Lederer D3/279
D922,768 S * 6/2021 Chen D3/279

(71) Applicant: **DELSEY**, Tremblay-en-France (FR)

(72) Inventor: **Guillaume Gadenne**, Houilles (FR)

(73) Assignee: **DELSEY**, Tremblay-en-France (FR)

(**) Term: **15 Years**

(21) Appl. No.: **29/630,345**

(22) Filed: **Dec. 20, 2017**

(51) **LOC (13) Cl.** **03-01**

(52) **U.S. Cl.**
USPC **D3/279**

(58) **Field of Classification Search**
USPC D3/273, 276, 279, 902, 321
CPC A45C 2003/008; A45C 3/02; A45C 5/00;
A45C 5/03; A45C 5/14; A45C 2005/032;
A45C 2005/035; A45C 2005/037
See application file for complete search history.

(56) **References Cited**

U.S. PATENT DOCUMENTS

D428,698 S *	8/2000	Cheng	D3/276
D462,169 S *	9/2002	Giovanni	D3/279
D525,031 S *	7/2006	Miles	D3/279
D581,666 S *	12/2008	Sijmons	D3/279
D602,252 S *	10/2009	Ehret	D3/279
D610,349 S *	2/2010	Ehret	D3/279
D728,236 S *	5/2015	Virassamy	D3/264
D758,076 S *	6/2016	Boer	D3/274
D765,972 S *	9/2016	Daniel	D3/274
D809,293 S *	2/2018	Virassamy	D3/279
D809,795 S *	2/2018	Law	D3/279

OTHER PUBLICATIONS

Amazon.au, "Delsey Paris Moncey Valise 82 cm Trolley 4 Double
Wheels Suitcase (Hardside), Black (00384483000)", First on sale
Jul. 4, 2018. ([https://www.amazon.com.au/Delsey-Paris-Suitcase-
Hardside-00384483000/dp/B07B6YGZYL](https://www.amazon.com.au/Delsey-Paris-Suitcase-Hardside-00384483000/dp/B07B6YGZYL)) (Year: 2018).*
Ebags, "Delsey Cruise Lite Hard 25" Exp. Spinner Trolley", oldest
review dated Apr. 17, 2017. ([https://www.ebags.com/product/delsey/
cruise-hard-25-exp-spinner-trolley/333854](https://www.ebags.com/product/delsey/cruise-hard-25-exp-spinner-trolley/333854)) (Year: 2017).*

* cited by examiner

Primary Examiner — April Rivas

(74) *Attorney, Agent, or Firm* — Ipsilon USA, LLP

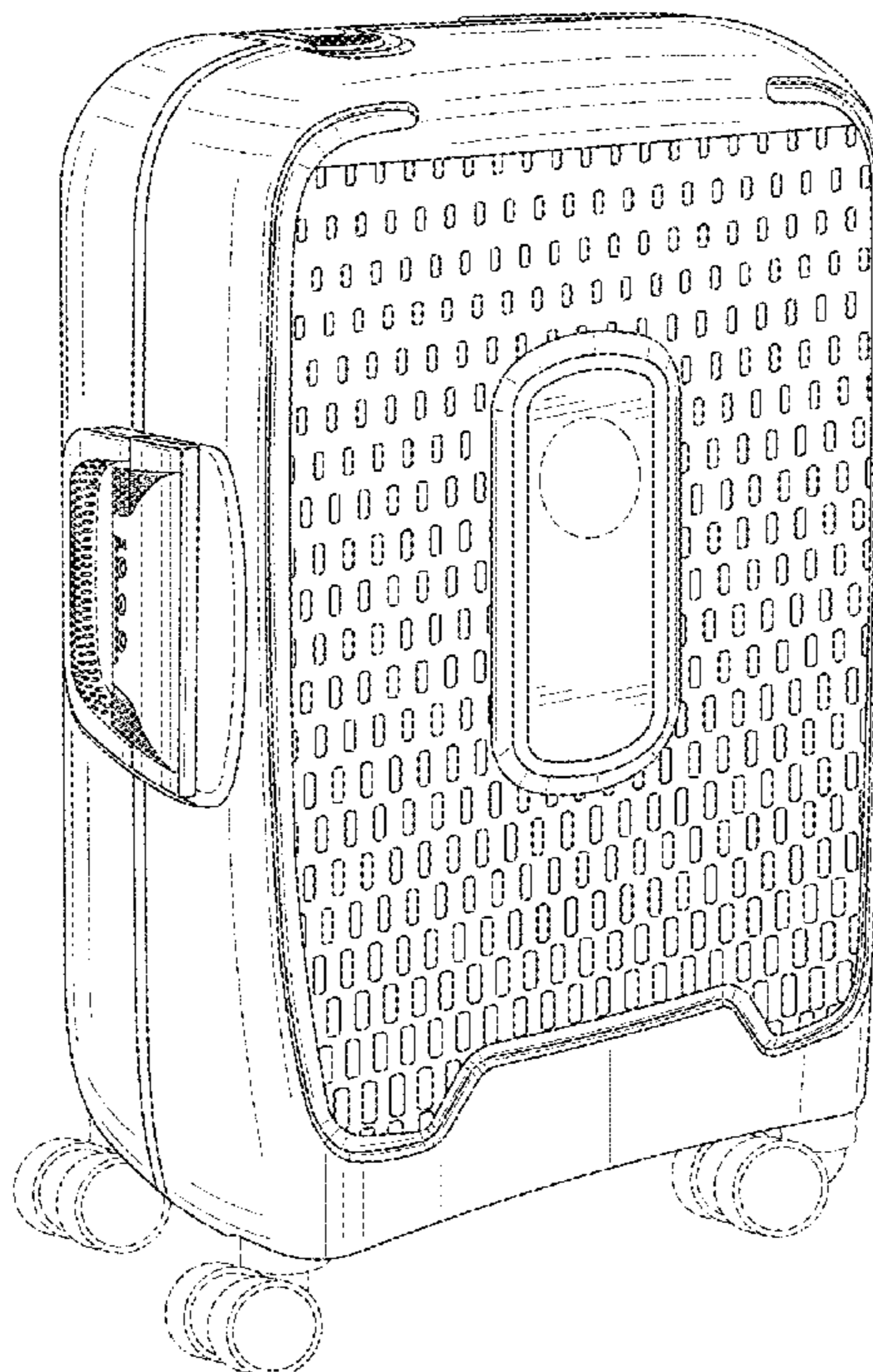
(57) **CLAIM**

The ornamental design for a luggage, as shown and
described.

DESCRIPTION

FIG. 1 is a front-and left-side perspective view of a luggage
showing my new design;
FIG. 2 is a front view thereof;
FIG. 3 is a rear view thereof;
FIG. 4 is a left-side view thereof;
FIG. 5 is a right-side view thereof;
FIG. 6 is a top view thereof; and,
FIG. 7 is a bottom view thereof.
The broken lines illustrate portions of the luggage and form
no part of the claimed design.

1 Claim, 7 Drawing Sheets



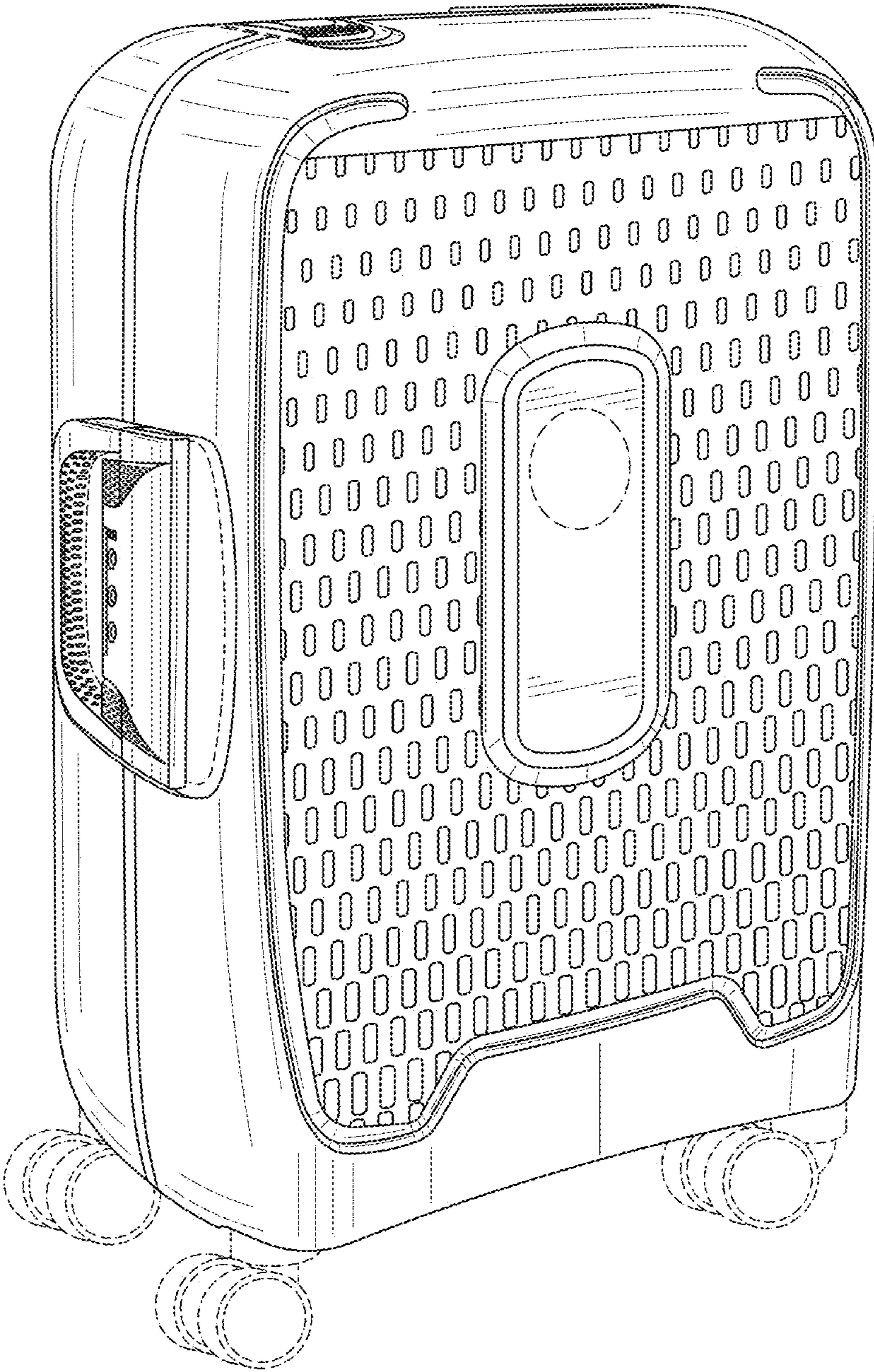


FIG. 1

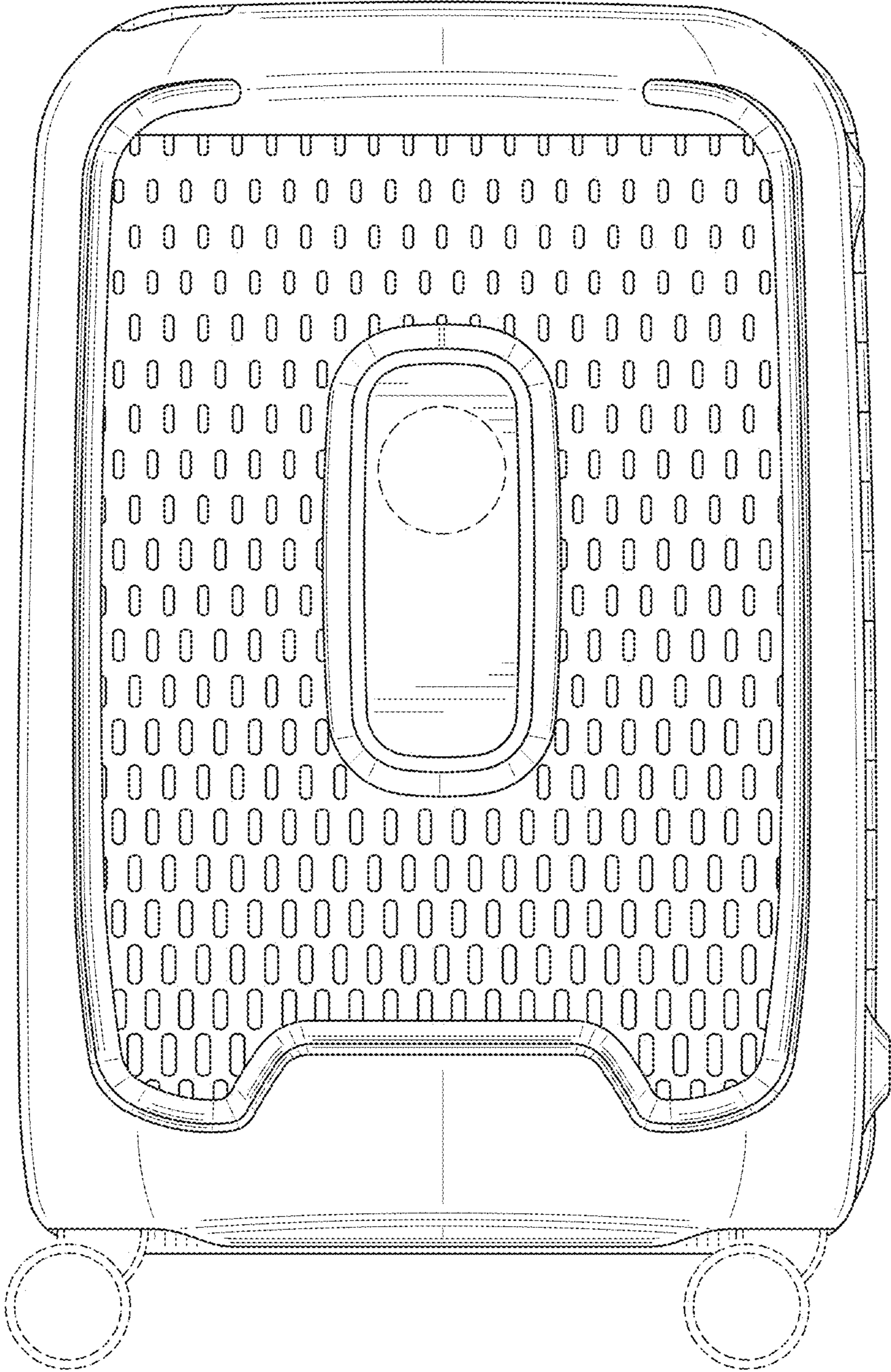


FIG. 2

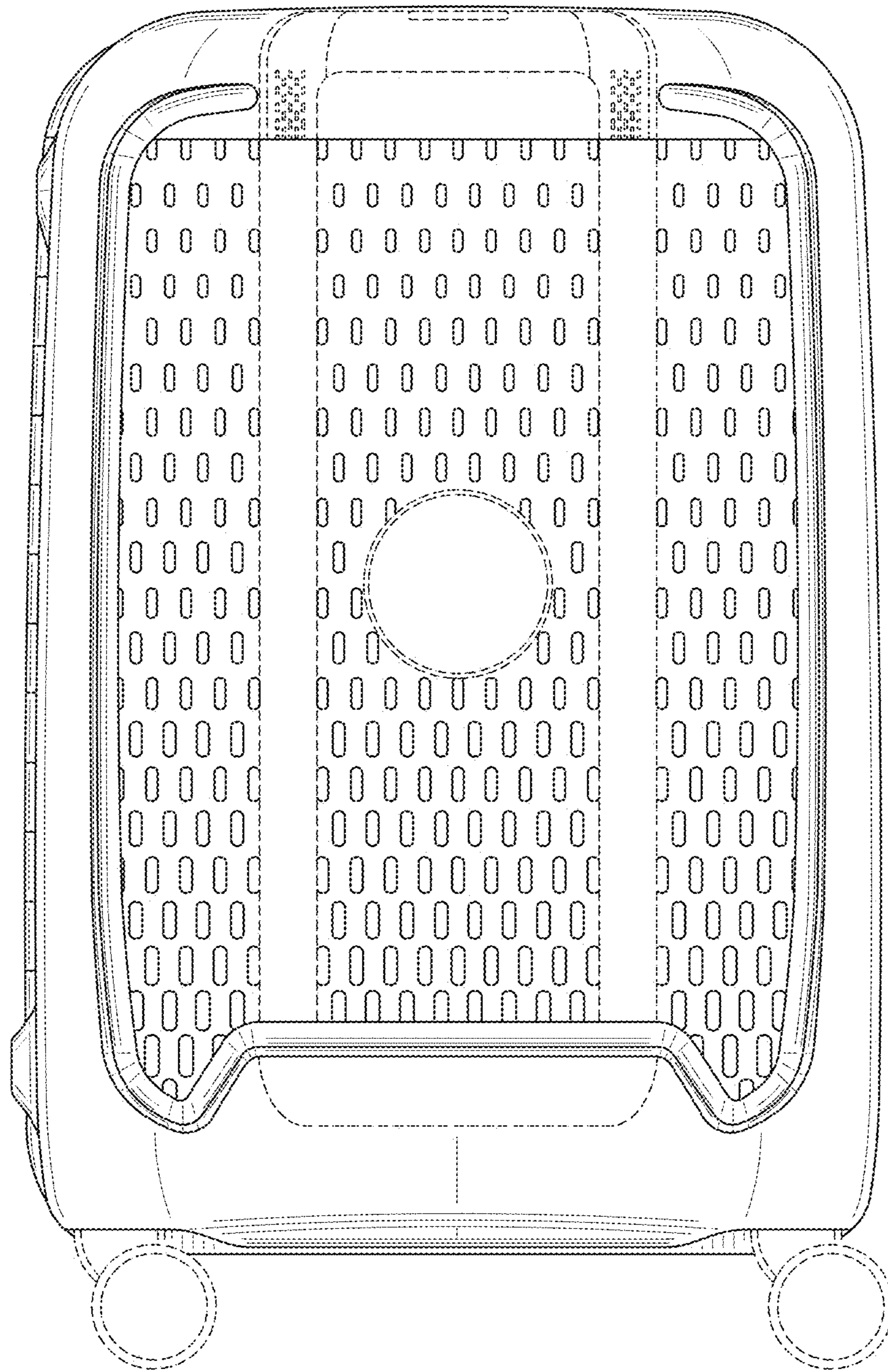


FIG. 3

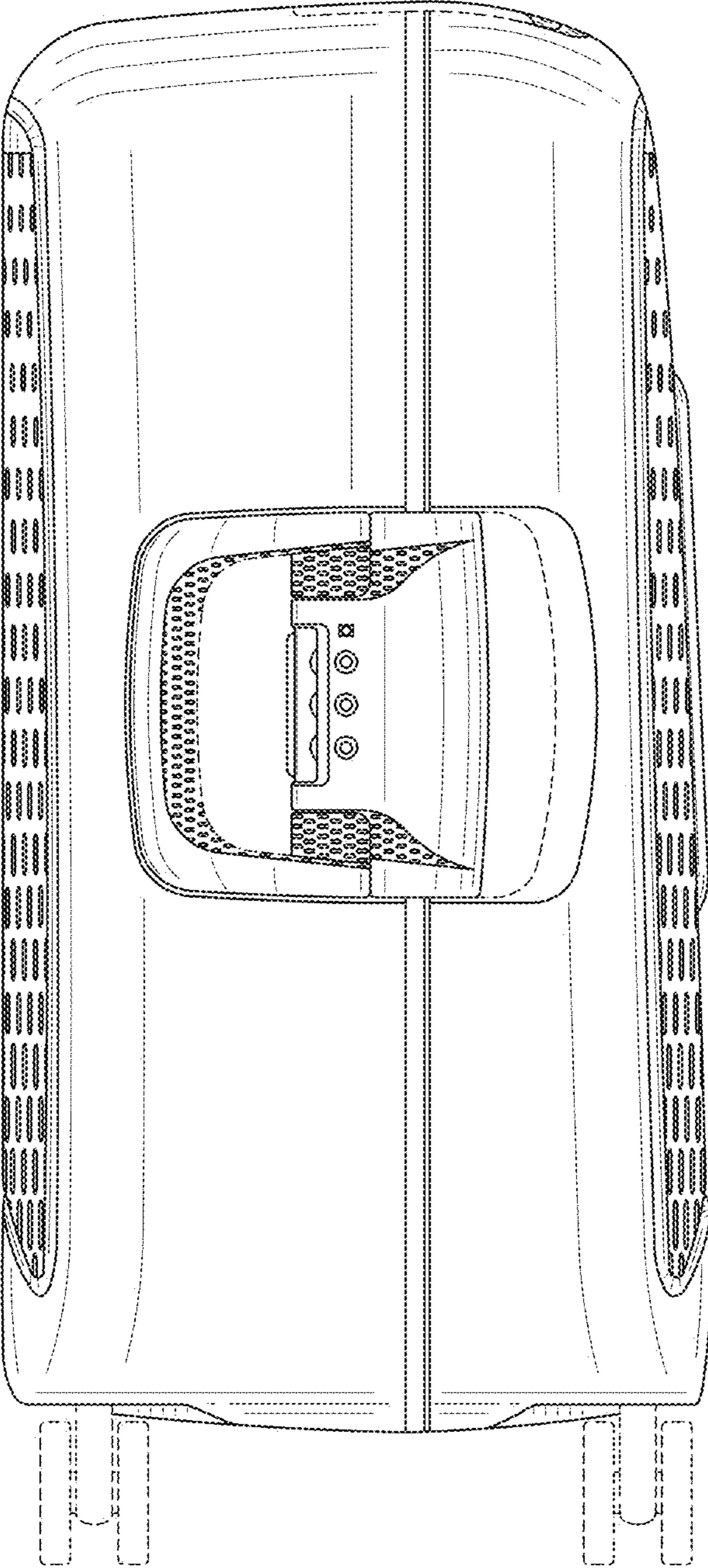


FIG. 4

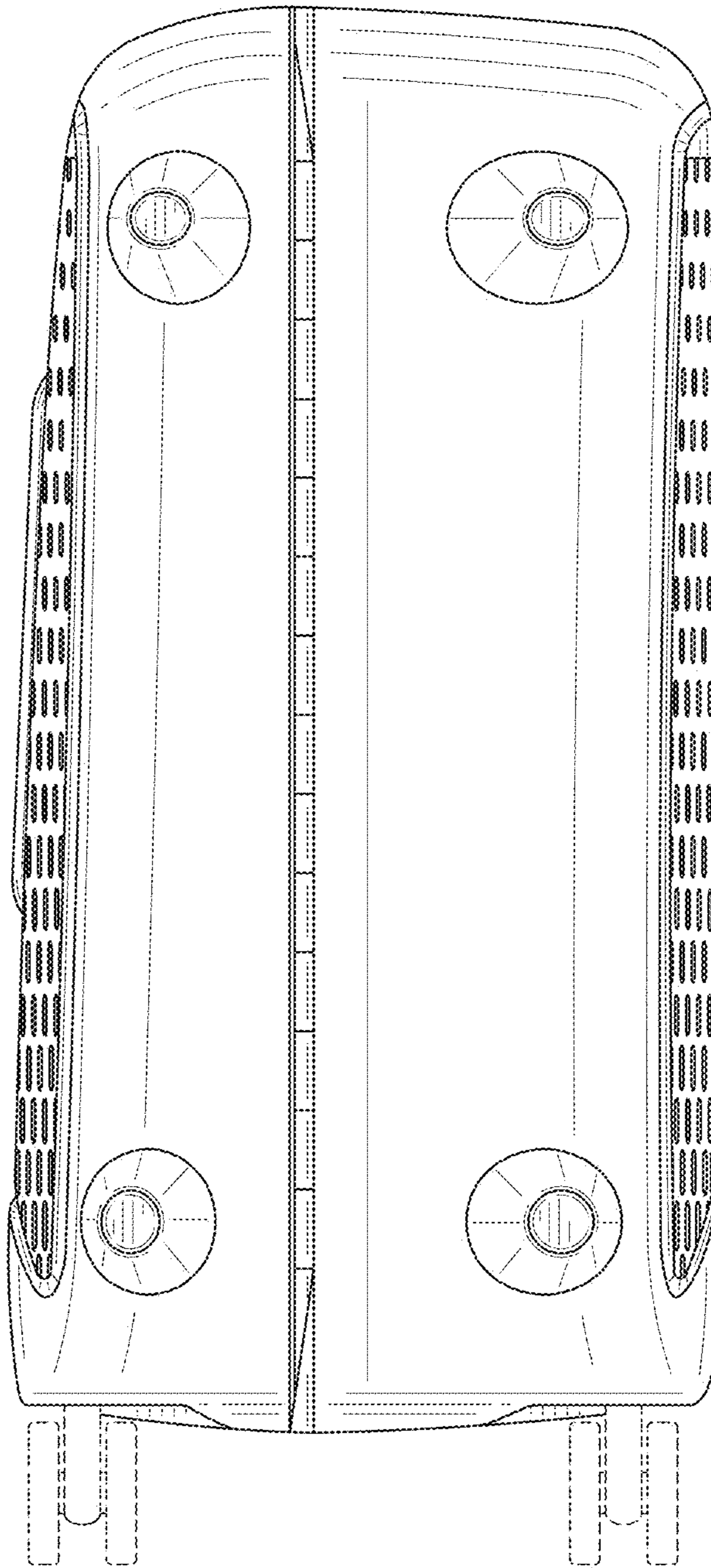


FIG. 5

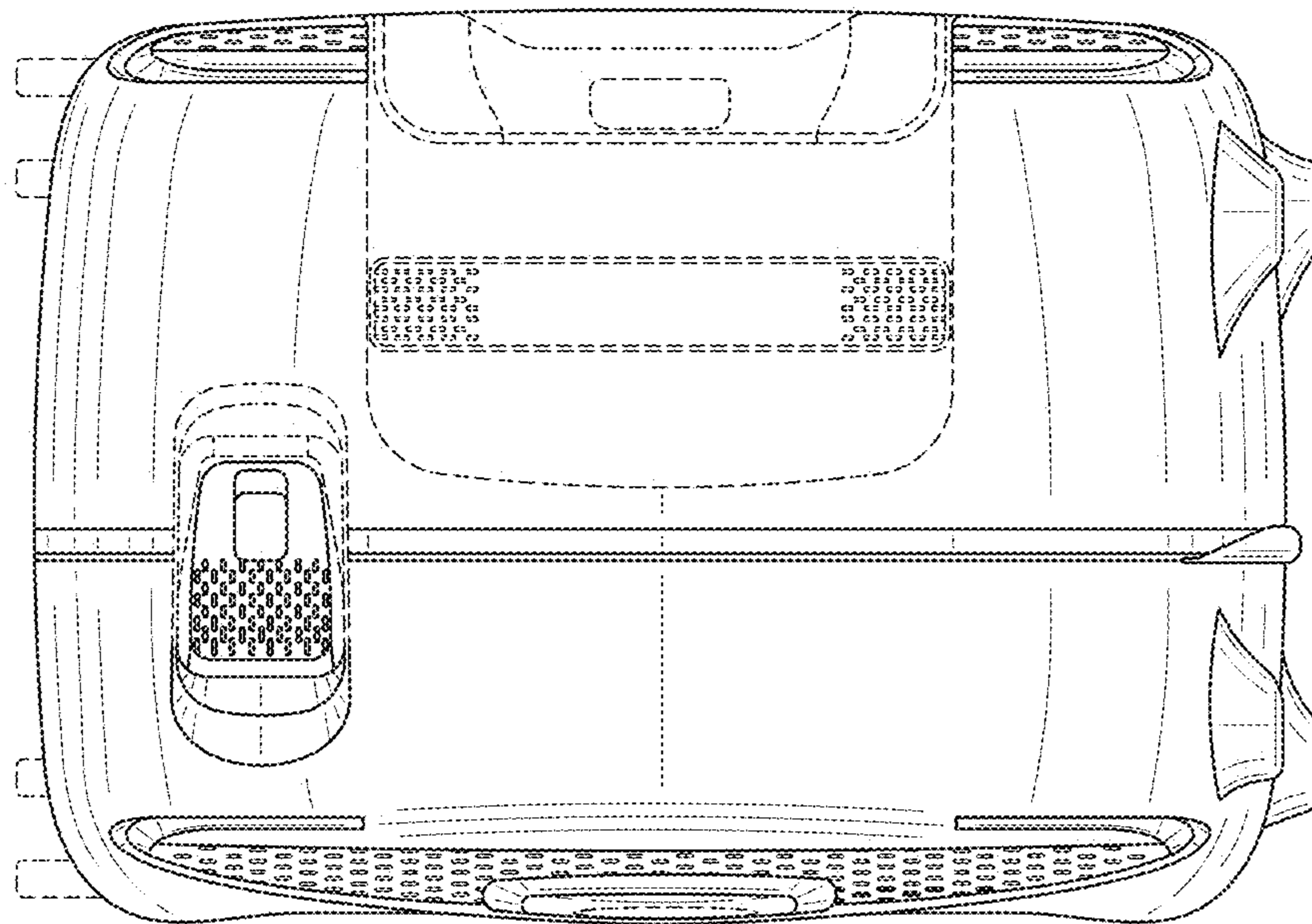


FIG. 6

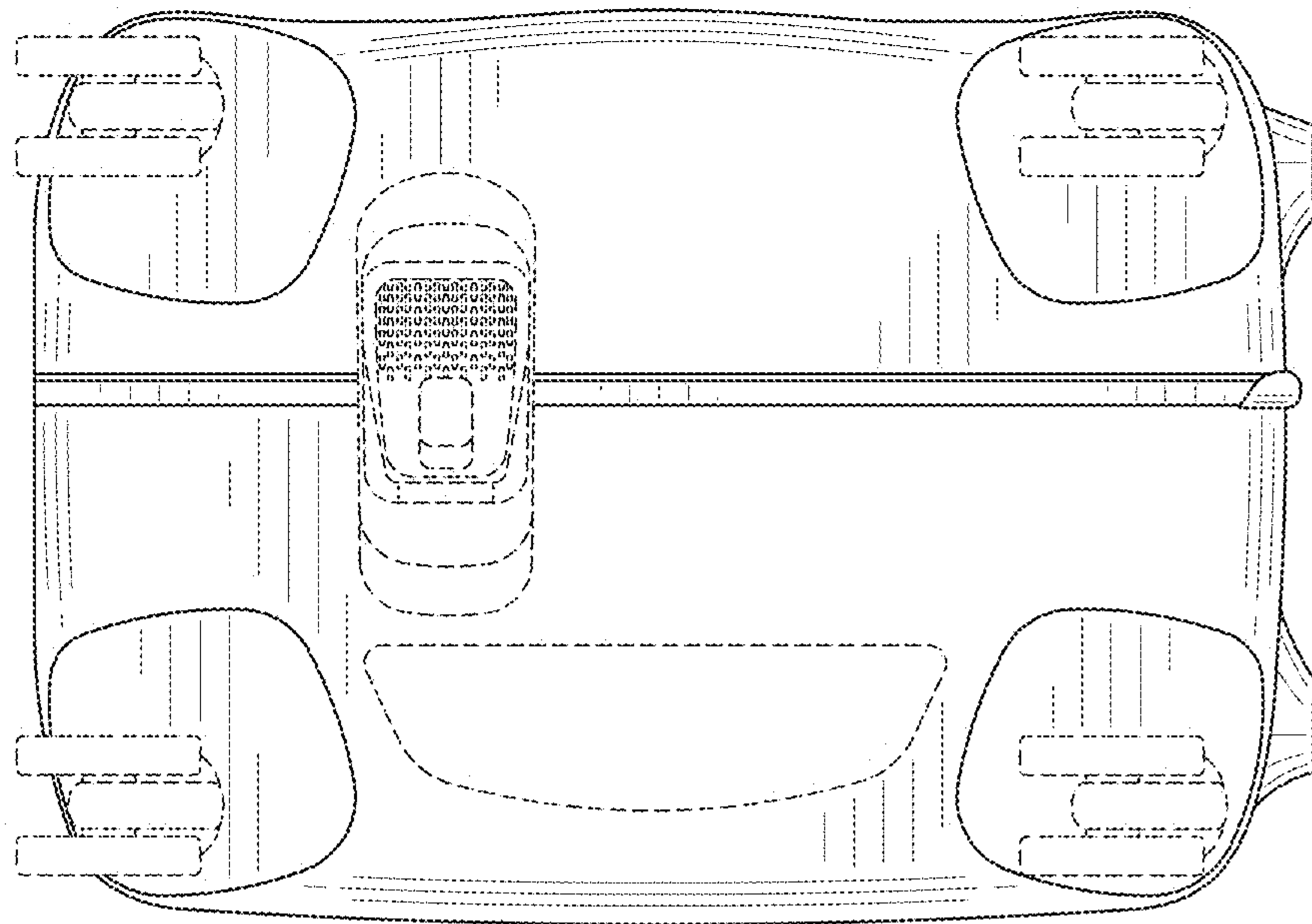


FIG. 7