



US00D953029S

(12) **United States Design Patent**  
**Lee et al.**

(10) **Patent No.:** **US D953,029 S**  
(45) **Date of Patent:** **\*\* May 31, 2022**

(54) **PROTECTIVE COVER SKIN FOR ELECTRONIC DEVICE**

(71) Applicant: **elago CO. LTD**, Goyang-si (KR)

(72) Inventors: **Chanwoo Lee**, Goyang-si (KR); **Chong Min Kim**, Seoul (KR)

(73) Assignee: **elago CO. LTD**, Goyang-si (KR)

(\*\*) Term: **15 Years**

(21) Appl. No.: **29/714,807**

(22) Filed: **Nov. 26, 2019**

(51) **LOC (13) Cl.** ..... **03-01**

(52) **U.S. Cl.**  
USPC ..... **D3/271.1**

(58) **Field of Classification Search**  
USPC ..... D3/201, 203.1, 203.2, 203.3, 203.4,  
D3/203.5, 203.6, 203.7, 203.8, 269, 270,  
(Continued)

(56) **References Cited**

**U.S. PATENT DOCUMENTS**

D229,971 S \* 1/1974 Ito et al. .... D14/126  
D253,556 S \* 12/1979 D'Alo ..... D3/276  
(Continued)

**FOREIGN PATENT DOCUMENTS**

CN 303092529 2/2015  
CN 303163666 4/2015  
(Continued)

**OTHER PUBLICATIONS**

Elago Silicone Case, available at amazon.com, earliest date available Oct. 4, 2019 [online], site visited Feb. 18, 2022, available from

the internet URL: <https://www.amazon.com/elago-Classic-Monitor-Designed-Registered/dp/B07YPQVWWB> (Year: 2019).\*

(Continued)

*Primary Examiner* — S. Bryan Reinholdt, Jr.

*Assistant Examiner* — Jillian Mazzola

(74) *Attorney, Agent, or Firm* — Paratus Law Group, PLLC

(57) **CLAIM**

The ornamental design for a protective cover skin for electronic device, as shown and described.

**DESCRIPTION**

FIG. 1 is a front, top, and left perspective view of a protective cover skin for electronic device, showing the claimed design;

FIG. 2 is a front view thereof;

FIG. 3 is a back view thereof;

FIG. 4 is a left side view thereof;

FIG. 5 is a right side view thereof;

FIG. 6 is a top view thereof;

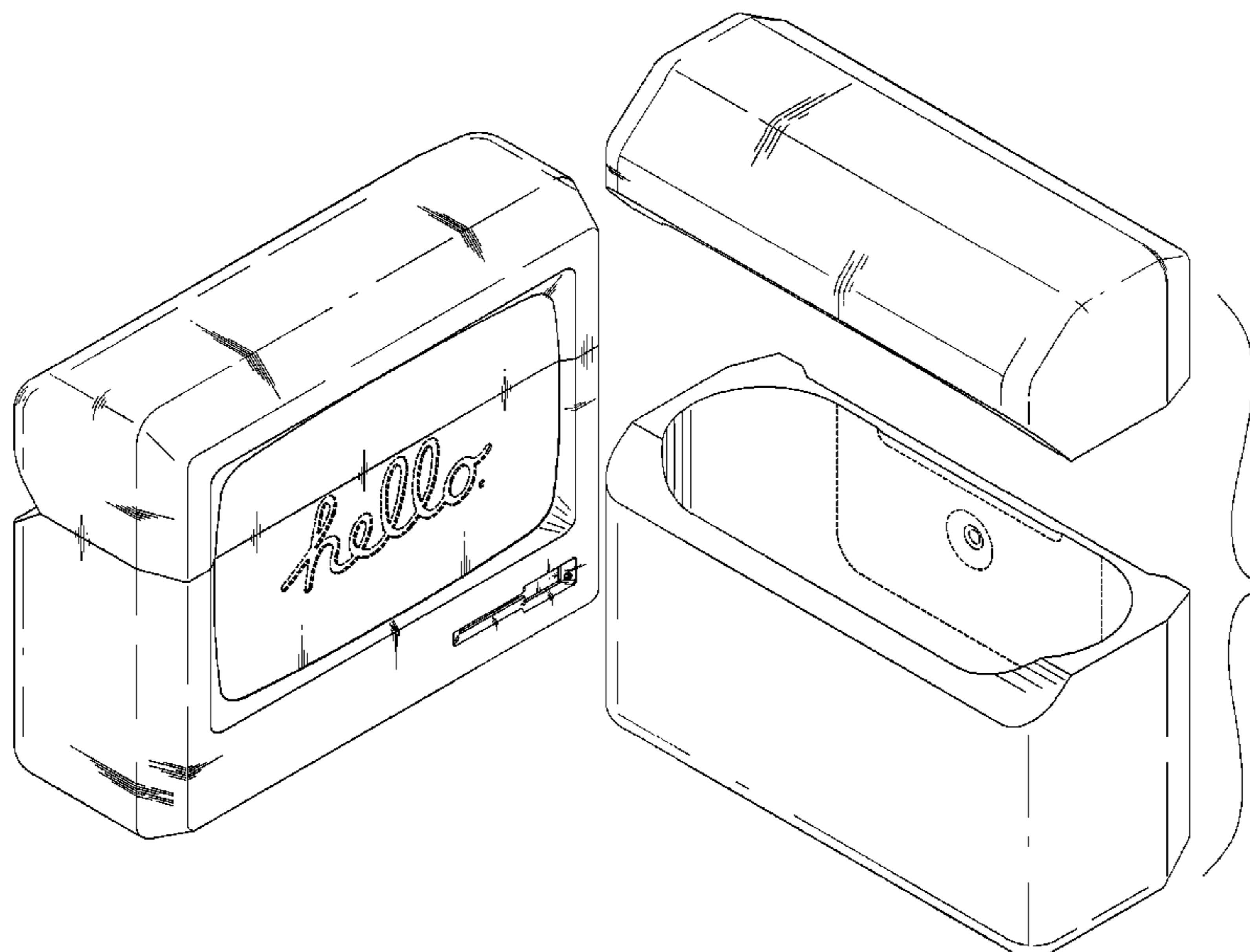
FIG. 7 is a bottom view thereof;

FIG. 8 is a rear, bottom, and left perspective view thereof; FIG. 9 is an exploded rear, top, and left perspective view of the protective cover skin for electronic device; and,

FIG. 10 is an exploded front, top, and right perspective view of the protective cover skin for electronic device with a top portion open in use.

The letters and period shown in broken lines in FIGS. 1, 2, and 10 illustrate portions of the protective cover skin for electronic device that form no part of the claimed design. The broken lines shown in FIGS. 3 and 9 depict portions of the protective cover skin for electronic device that form no part of the claimed design. The broken line showing of an electronic device in FIG. 10 depicts environment and forms no part of the claimed design.

**1 Claim, 9 Drawing Sheets**



(58) **Field of Classification Search**

USPC ..... D3/271.1, 271.7, 273–275, 298–303;  
 D7/601, 602, 609, 619.1, 631–633, 635,  
 D7/637, 638; D9/414, 420–423, 434,  
 D9/435, 499, 700, 701; D14/205, 223,  
 D14/432

See application file for complete search history.

D929,969 S \* 9/2021 Ding ..... D3/274  
 D931,605 S \* 9/2021 Zhu ..... D3/273  
 D933,351 S \* 10/2021 Armstrong ..... D3/273  
 D934,869 S \* 11/2021 Wright ..... D14/440  
 D935,179 S \* 11/2021 Liu ..... D3/294  
 D935,772 S \* 11/2021 Chen ..... D3/294  
 2005/0174727 A1 \* 8/2005 Thomas ..... G06F 1/1626  
 361/679.56  
 2012/0267269 A1 \* 10/2012 Tang ..... G06F 1/1628  
 206/320

(56) **References Cited**

U.S. PATENT DOCUMENTS

D285,687 S 9/1986 Manock et al.  
 D312,629 S 12/1990 Esslinger  
 D367,211 S \* 2/1996 Cautereels ..... D7/629  
 D397,336 S \* 8/1998 Woodworth ..... D19/60  
 D477,912 S \* 8/2003 Cunningham ..... D3/273  
 D484,305 S \* 12/2003 Eldon, III ..... D3/205  
 D569,720 S 5/2008 Lablaine  
 D572,087 S \* 7/2008 Kim ..... D7/629  
 D581,155 S 11/2008 Richardson et al.  
 D587,008 S 2/2009 Richardson et al.  
 D596,239 S \* 7/2009 Huang ..... D6/306  
 7,775,354 B2 8/2010 Latchford et al.  
 D636,595 S \* 4/2011 van der Lande ..... D3/211  
 D640,642 S \* 6/2011 Ball ..... D13/184  
 D663,524 S \* 7/2012 Penttinen ..... D3/273  
 D691,372 S 10/2013 Chun  
 D747,607 S \* 1/2016 Serell ..... D3/203.1  
 D758,065 S \* 6/2016 Zwetzig ..... D3/201  
 D762,466 S 8/2016 Angeloni et al.  
 D764,799 S \* 8/2016 Ball ..... D9/423  
 D775,463 S 1/2017 Shieh  
 D794,617 S 8/2017 Wright et al.  
 D804,806 S 12/2017 Stueckemann et al.  
 D826,152 S 8/2018 Christiansen  
 D864,565 S \* 10/2019 Lee ..... D3/271.1  
 D878,754 S \* 3/2020 Lee ..... D3/270  
 D890,765 S \* 7/2020 Lee ..... D14/440  
 D893,166 S \* 8/2020 Lu ..... D3/201  
 D904,005 S \* 12/2020 Jung ..... D3/201  
 D904,755 S \* 12/2020 Birger ..... D14/205  
 D907,049 S \* 1/2021 Yu ..... D14/440  
 D908,345 S \* 1/2021 He ..... D3/201  
 D908,801 S \* 1/2021 Lee ..... D21/333  
 D921,362 S \* 6/2021 Lu ..... D3/294  
 D922,070 S \* 6/2021 Armstrong ..... D13/118  
 D926,470 S \* 8/2021 Luo ..... D3/294  
 D928,502 S \* 8/2021 Weng ..... D3/218  
 D928,509 S \* 8/2021 Armstrong ..... D3/274

FOREIGN PATENT DOCUMENTS

CN 304708016 7/2018  
 CN 304877424 11/2018  
 CN 305753748 \* 5/2020  
 GB 6040802 8/2018  
 KR 301043474.0000 \* 1/2020  
 KR 301117990.0000 \* 7/2021  
 KR 301130228.0000 \* 10/2021

OTHER PUBLICATIONS

Elago AW3 AirPods Pro Case, available at elago.com, earliest customer review date Feb. 2020 [online], site visited Feb. 18, 2022, available from the internet URL: <https://www.elago.com/airpods-pro-case/aw3-airpods-pro-case> (Year: 2020).\*

AirPods Pro Case, available at ebay.com, earliest date available May 31, 2020 [online], site visited Feb. 18, 2022, available from the internet URL: [https://www.ebay.com/itm/153953328210?chn=ps&\\_trkparms=ispr%3D1&amdata=enc%3A1U7d3oD3sQRmAPNZpD5qzRA8&norover=1&mkevt=1&E2%80%A6](https://www.ebay.com/itm/153953328210?chn=ps&_trkparms=ispr%3D1&amdata=enc%3A1U7d3oD3sQRmAPNZpD5qzRA8&norover=1&mkevt=1&E2%80%A6) (Year: 2020).\*

NXDA AirPods Case, available at amazon.com, earliest date available Nov. 26, 2020 [online], site visited Feb. 18, 2022, available from the internet URL: <https://www.amazon.co.uk/NXDA-Compatible-Television-Silicone-Protector/dp/B07QS8FN3S> (Year : 2020).\*

Wikipedia, “Macintosh 128K”, [https://en.wikipedia.org/wiki/Macintosh\\_128K](https://en.wikipedia.org/wiki/Macintosh_128K), Jan. 24, 1984.

The Verge, “This retro Mac-shaped iPhone stand looks nice, but is kind of pointless”, <https://www.theverge.com/2017/4/23/15388616/elago-m4-retro-macintosh-iphone-stand-expensive>, Apr. 23, 2017.

Amazon, “Mulafnxal Compatible with AirPods 1&2 Case, Cute 3D Funny Cartoon Character Silicone Airpod Cover . . .”, <https://www.amazon.com/0/B07QJ69KL6>, May 27, 2019.

\* cited by examiner

FIG. 1

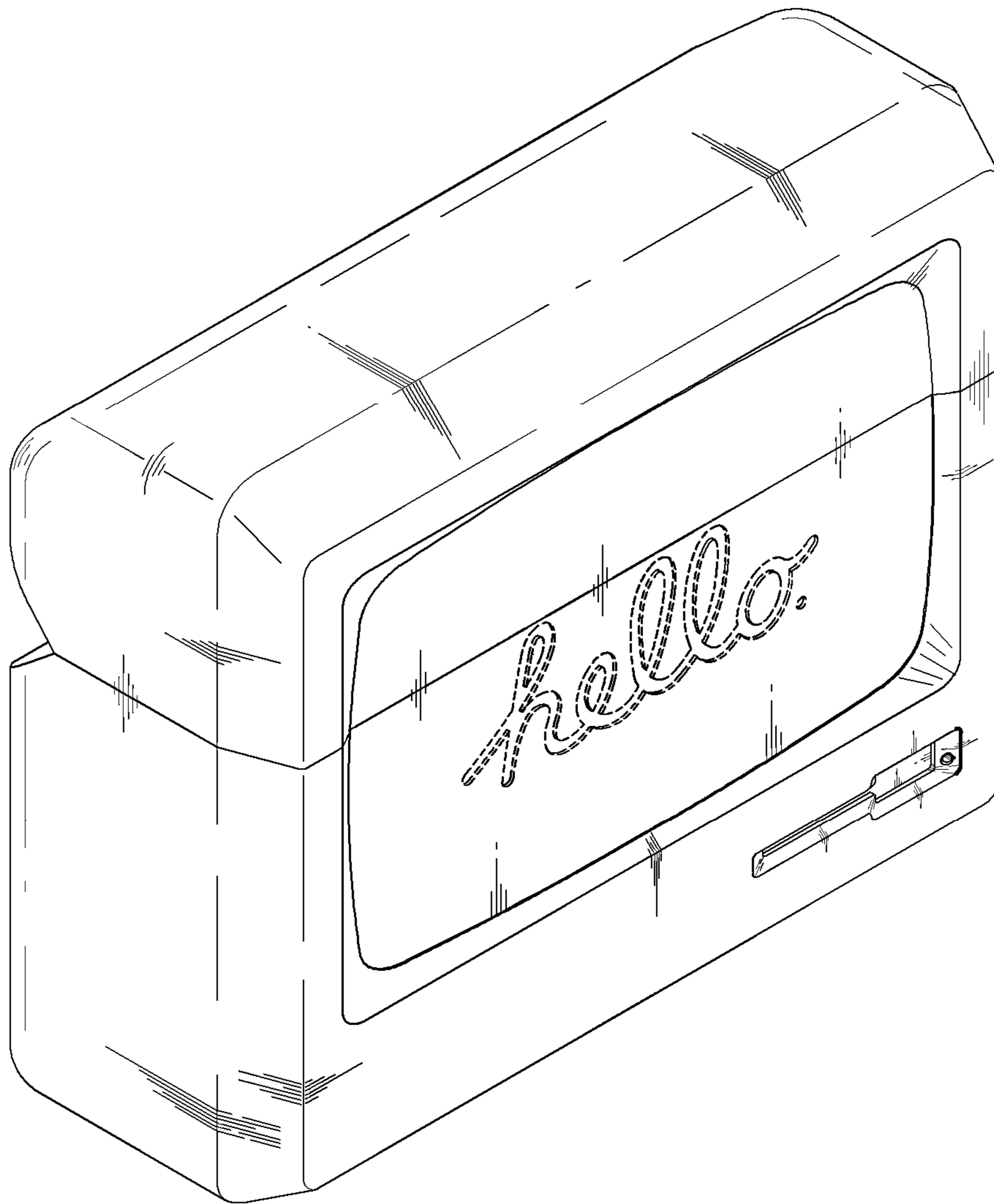


FIG. 2

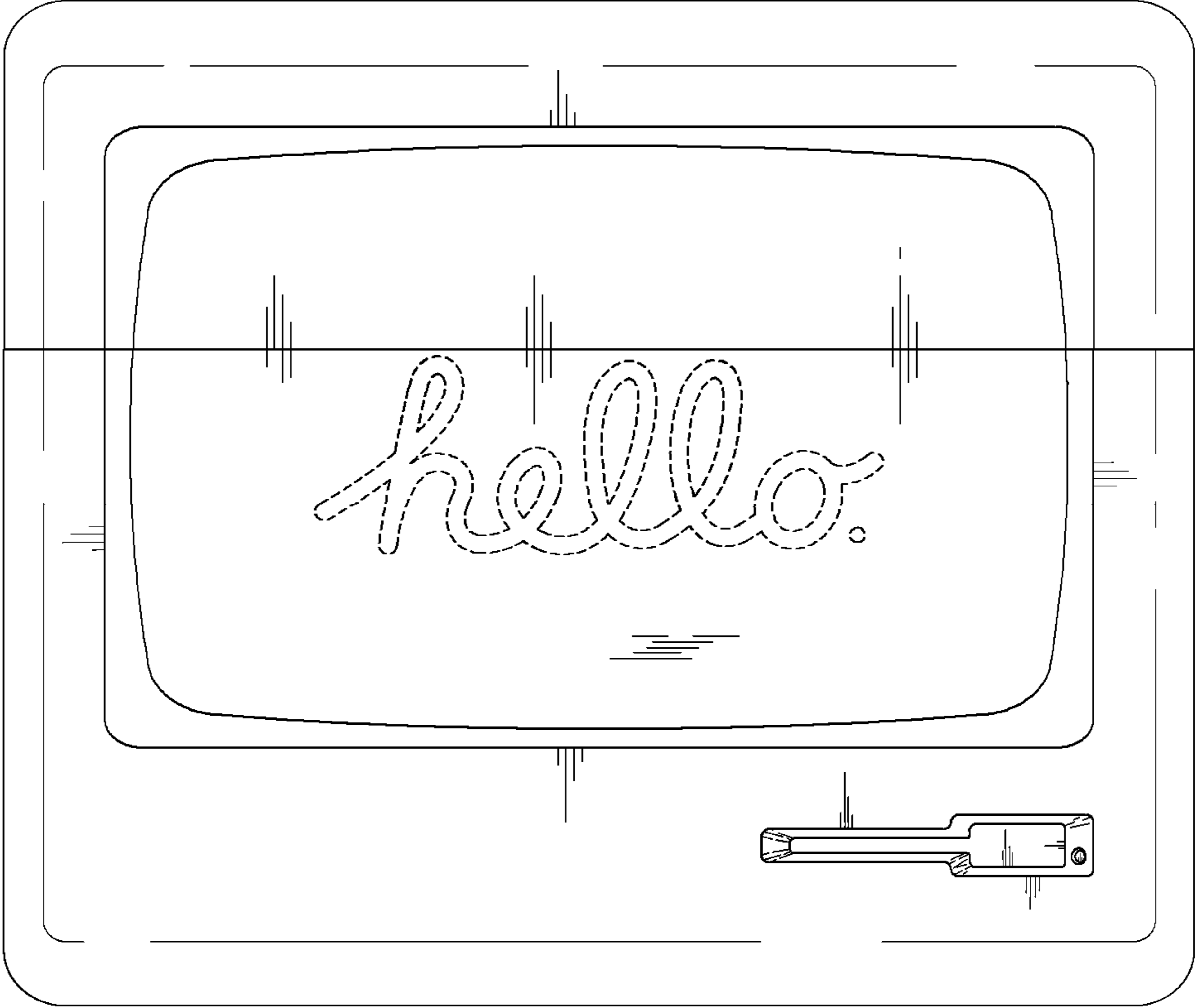


FIG. 3

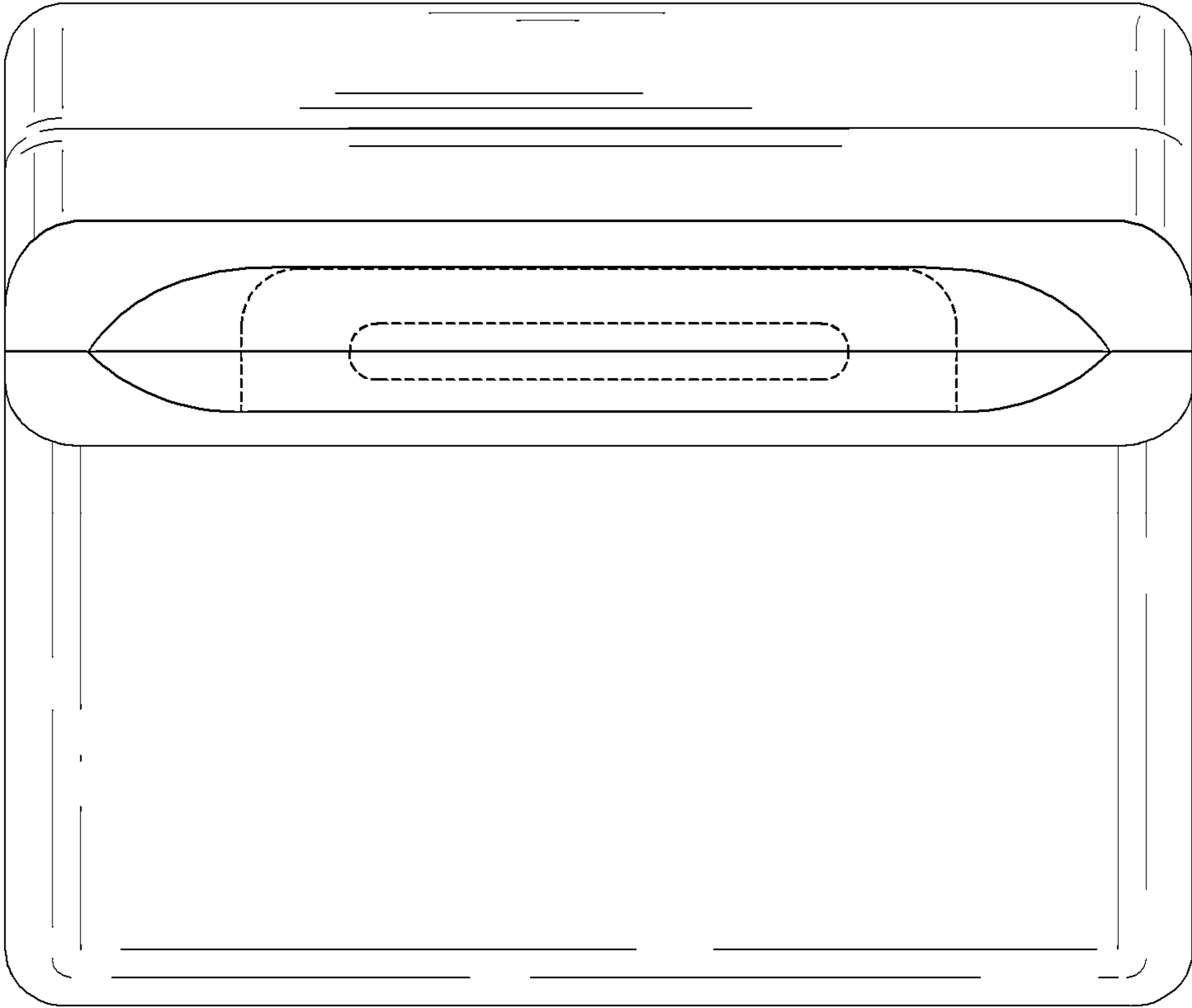


FIG. 4

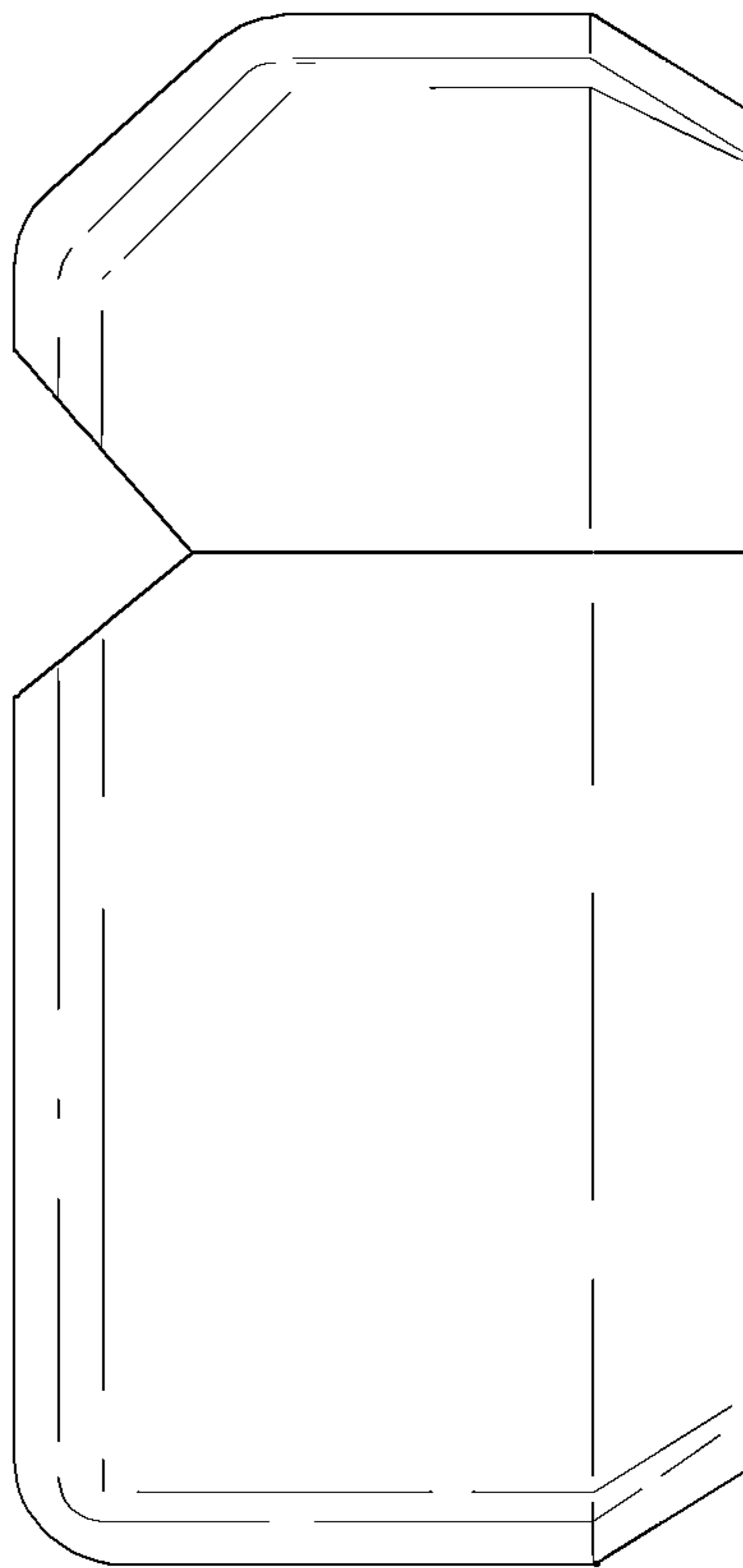


FIG. 5

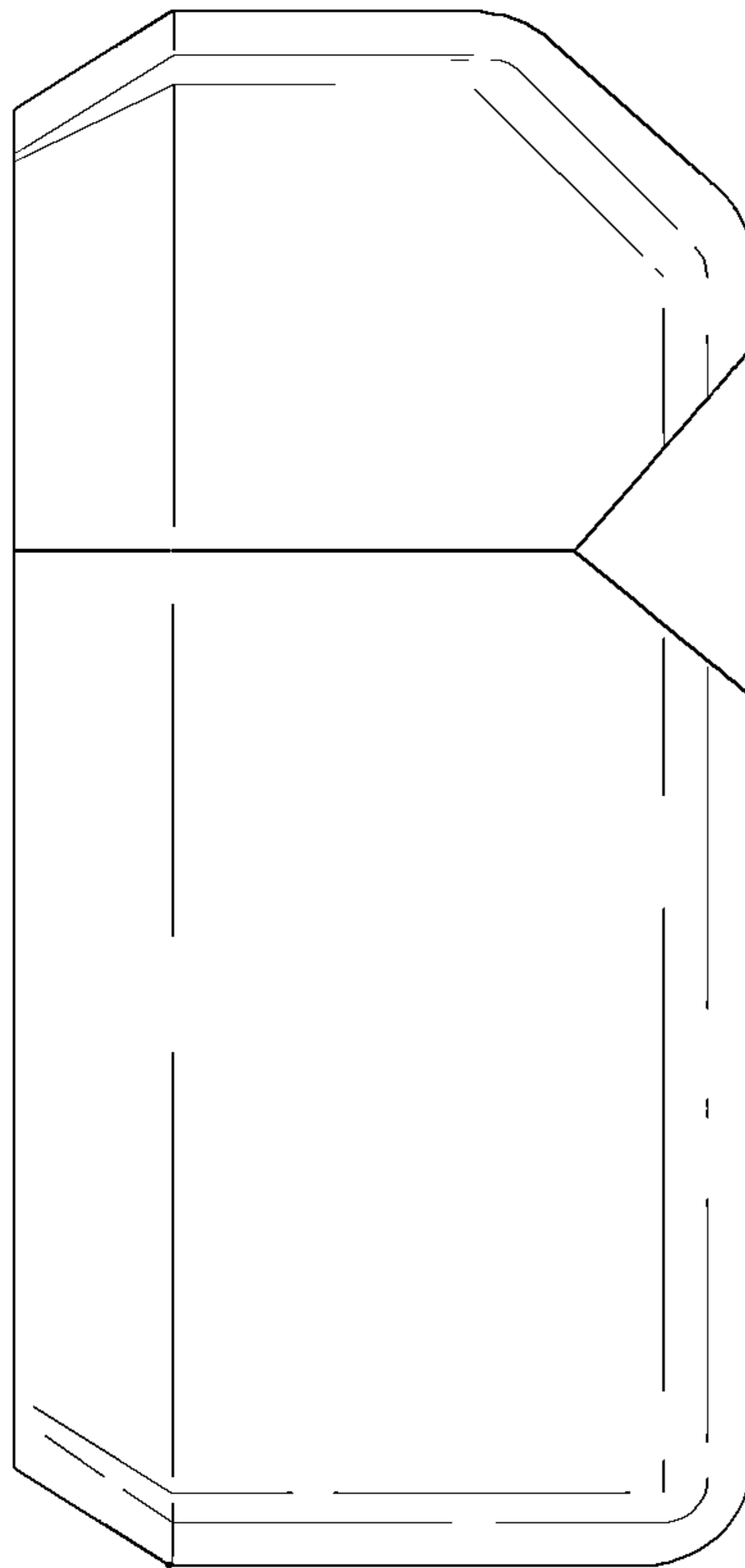


FIG. 6

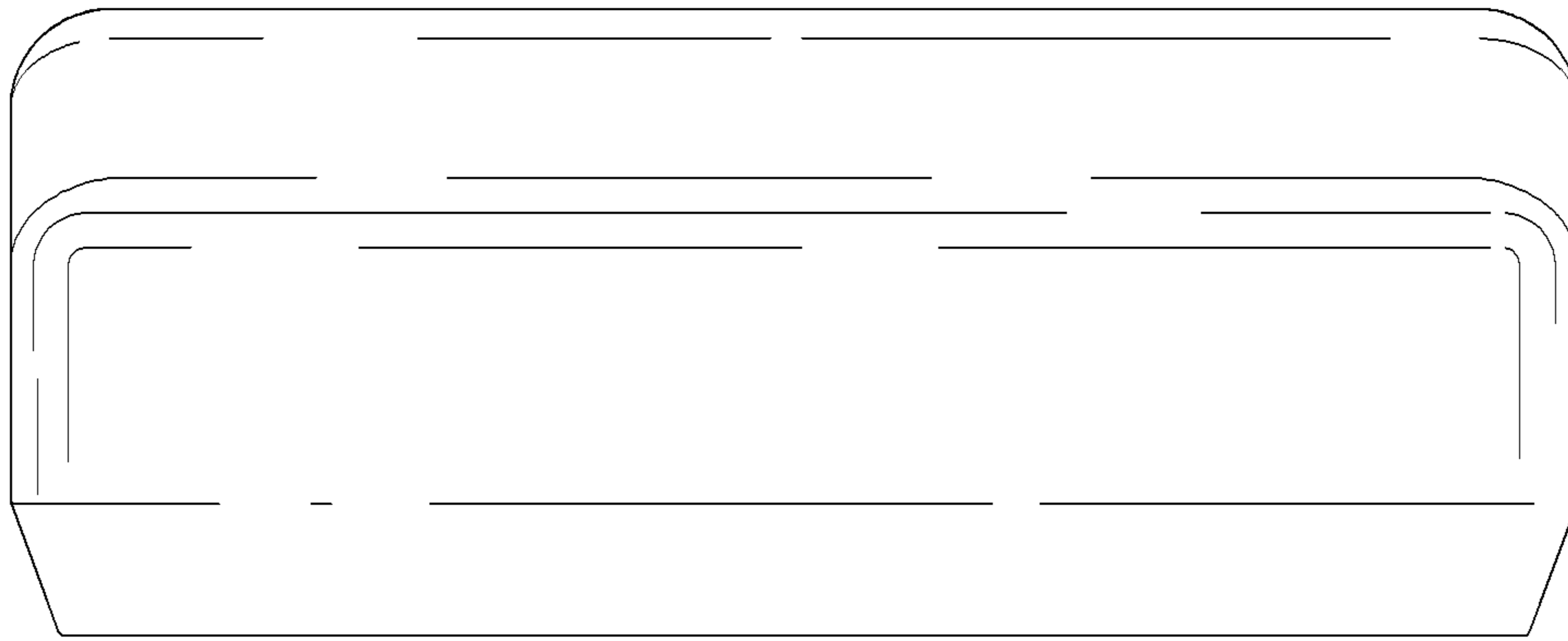


FIG. 7

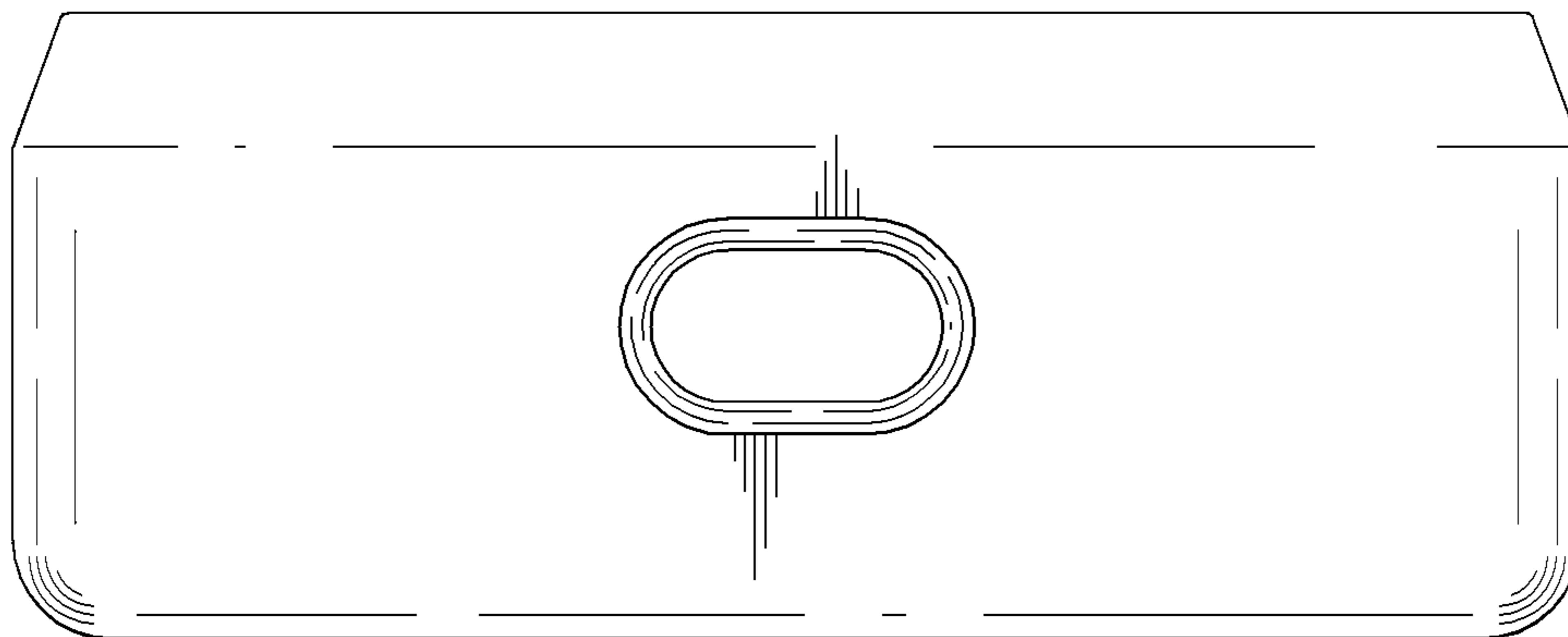




FIG. 8

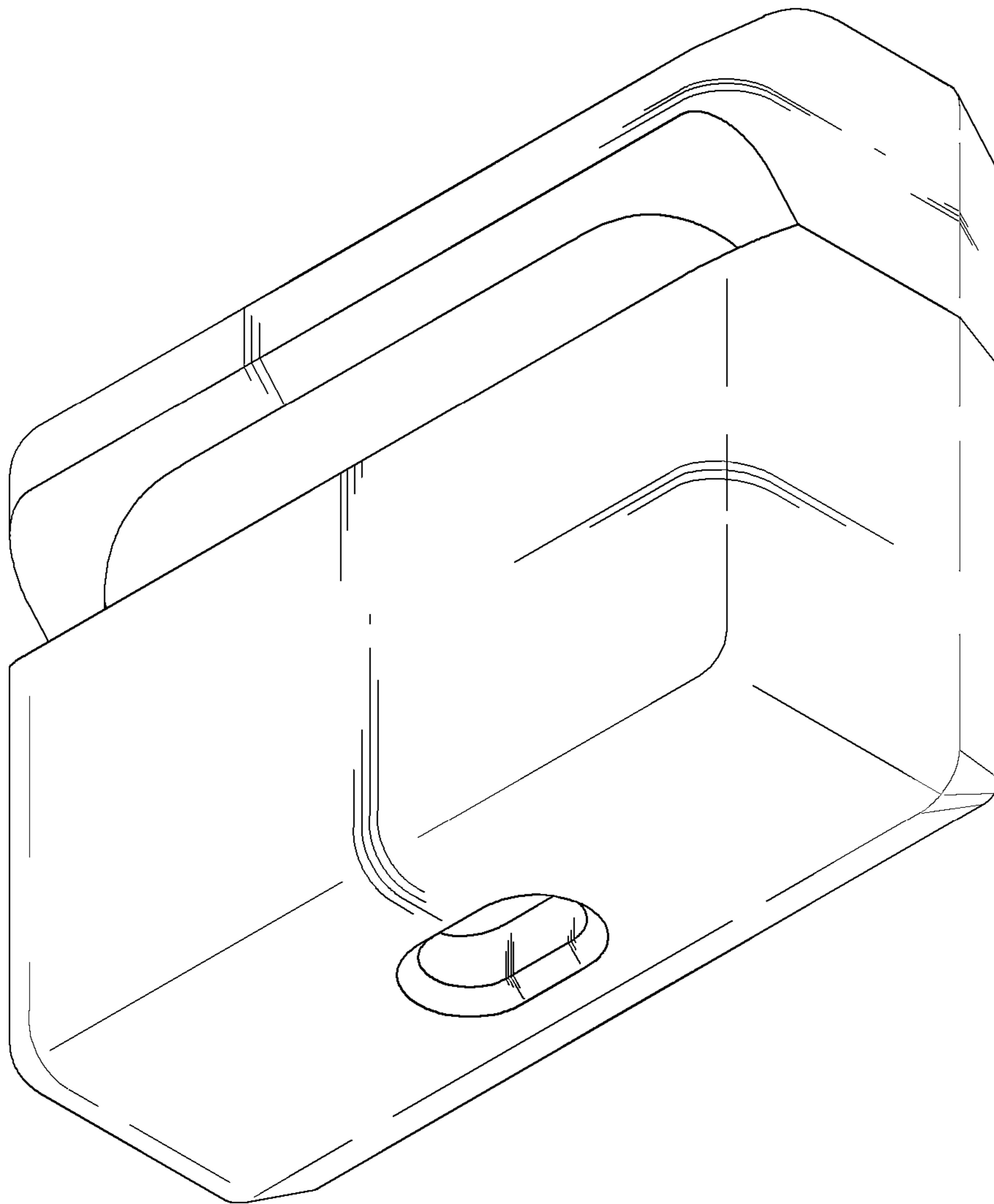


FIG. 9

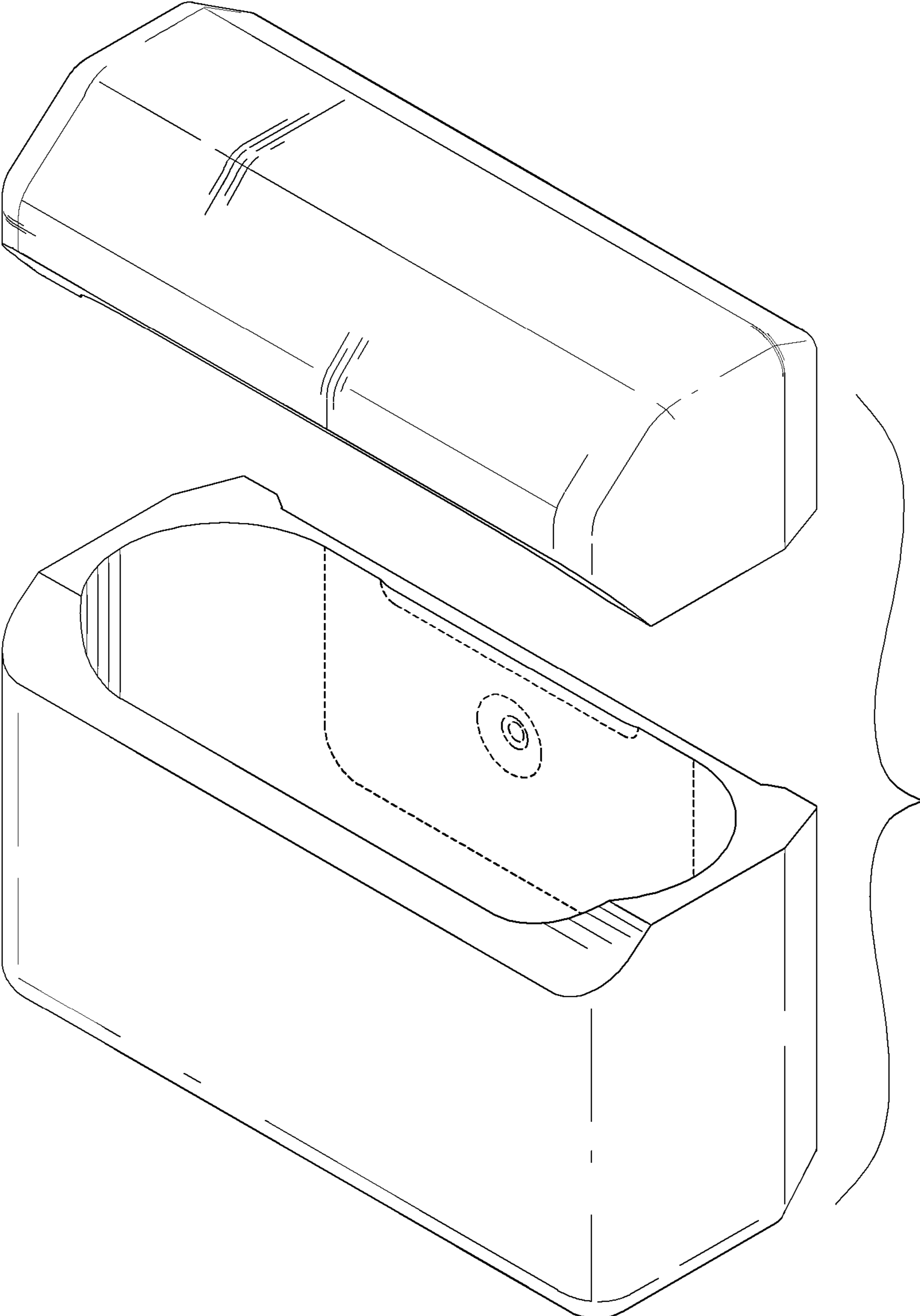


FIG. 10

