



US00D953028S

(12) **United States Design Patent** (10) **Patent No.:** **US D953,028 S**  
**Reso** (45) **Date of Patent:** **\*\* May 31, 2022**

(54) **PORTABLE ARTICLE CARRIER**  
(71) Applicant: **Indrit Reso**, Williamsburg, VA (US)  
(72) Inventor: **Indrit Reso**, Williamsburg, VA (US)  
(\*\*) Term: **15 Years**  
(21) Appl. No.: **29/772,165**  
(22) Filed: **Feb. 26, 2021**

(74) *Attorney, Agent, or Firm* — Ballard Spahr LLP

(57) **CLAIM**

The ornamental design for a portable article carrier, as shown and described.

**DESCRIPTION**

FIG. 1 is a front perspective view of a portable article carrier showing a first embodiment of my new design;  
FIG. 2 is a front elevational view of the portable article carrier of FIG. 1;  
FIG. 3 is a rear elevational view of the portable article carrier of FIG. 1;  
FIG. 4 is a left side elevational view of the portable article carrier of FIG. 1;  
FIG. 5 is a right side elevational view of the portable article carrier of FIG. 1;  
FIG. 6 is a top plan view of the portable article carrier of FIG. 1;  
FIG. 7 is a bottom plan view of the portable article carrier of FIG. 1;  
FIG. 8 is a front, right-side perspective view of the portable article carrier of FIG. 1, showing the carrier in an open position;  
FIG. 9 is a front, left-side perspective view of the portable article carrier of FIG. 1, showing the carrier in an open position;  
FIG. 10 is a rear, left-side perspective view of the portable article carrier of FIG. 1, showing the carrier in an open position; and,  
FIG. 11 is a rear, right-side perspective view of the portable article carrier of FIG. 1, showing the carrier in an open position.  
The dashed lines (dash-dash-dash) show portions of the portable article carrier that form no part of the claimed design. The dashed lines (dash-short dash-long dash) immediately adjacent to the shaded areas in the figures represent the boundaries of the claimed design. None of the broken lines form any part of the claimed design.

**Related U.S. Application Data**

(63) Continuation of application No. 29/771,422, filed on Feb. 23, 2021.  
(51) **LOC (13) Cl.** ..... **03-01**  
(52) **U.S. Cl.**  
USPC ..... **D3/269**; D3/201  
(58) **Field of Classification Search**  
USPC ..... D24/110.1, 132; D6/512, 513, 515, 553, D6/559; D9/600, 655–664, 730, 732,  
(Continued)

(56) **References Cited**

**U.S. PATENT DOCUMENTS**

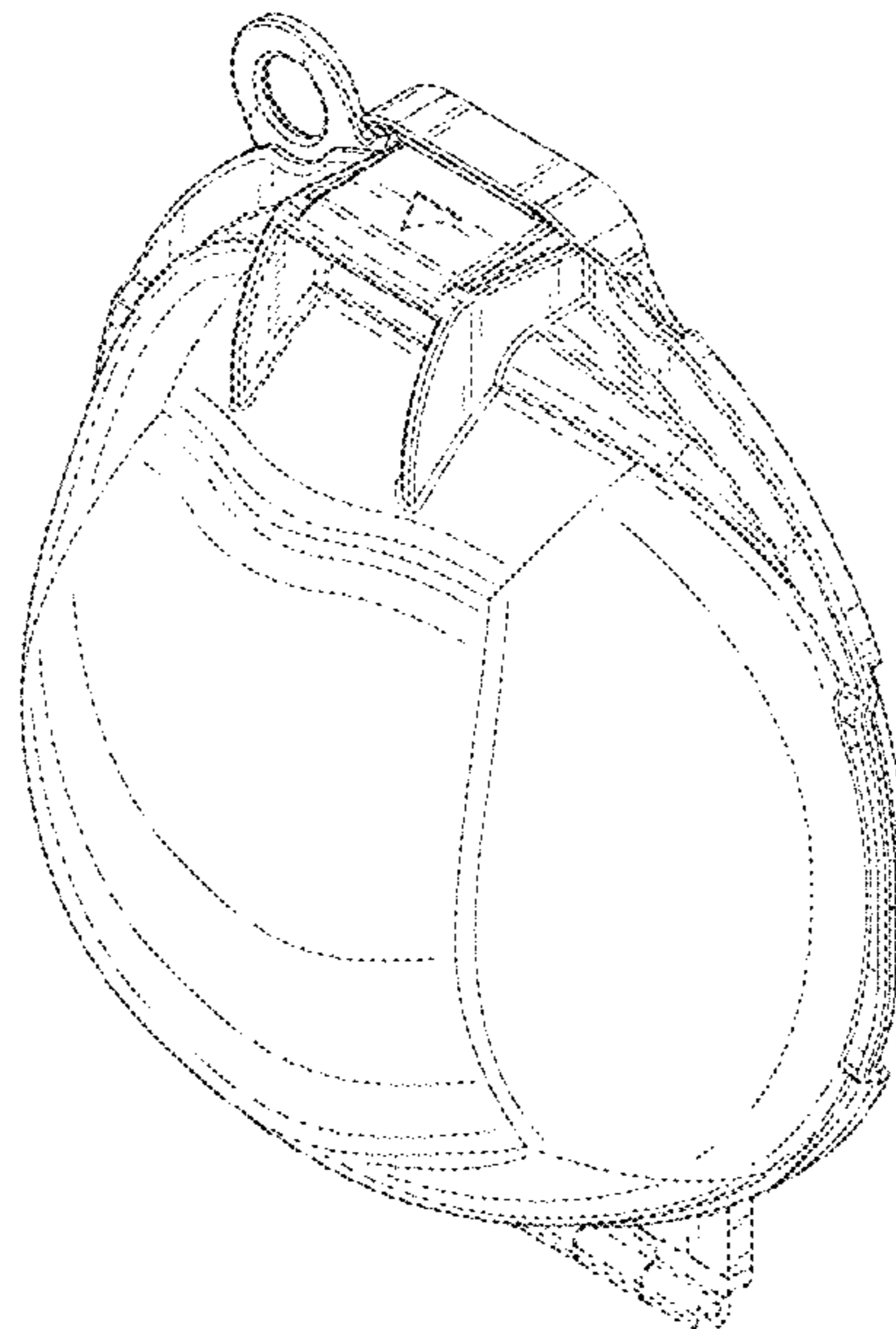
D289,207 S 4/1987 Drews  
D333,754 S \* 3/1993 Conti ..... D7/392.1  
(Continued)

**OTHER PUBLICATIONS**

8 Face Mask Cases That Could Help Prevent Cross-Contamination. Captured Feb. 24, 2021 [online], Available: <https://www.health.com/condition/infectious-diseases/coronavirus/best-face-mask-case>, 9 pages.  
(Continued)

*Primary Examiner* — Nathan M Johnston

**1 Claim, 11 Drawing Sheets**



(58) **Field of Classification Search**

USPC ..... D9/414-434; D7/514-520, 539, 544,  
 D7/571, 594, 599, 604, 613, 619.2, 623,  
 D7/625, 628-630, 391-392.1; D3/201,  
 D3/203.3, 203.4, 269-271.8; D28/76, 79;  
 D29/108  
 CPC ..... B65D 67/00; B65D 81/36; B65D 81/60;  
 B65D 81/368; B65D 37/00; B65D 5/42;  
 B65D 5/4208; B65D 77/00; A63H 33/10;  
 A63H 33/16

See application file for complete search history.

(56) **References Cited**

U.S. PATENT DOCUMENTS

D336,849 S 6/1993 Gollas  
 D389,061 S \* 1/1998 Ebrahim ..... D7/392.1  
 D408,591 S \* 4/1999 Litton ..... D28/82  
 D412,115 S \* 7/1999 D'Andrea ..... D9/428  
 D436,532 S \* 1/2001 Richardson ..... D24/104  
 D439,376 S \* 3/2001 Lerolle ..... D28/82  
 D489,045 S \* 4/2004 Wang ..... D14/138 AB  
 D489,343 S \* 5/2004 Wang ..... D14/138 AB  
 D506,926 S \* 7/2005 Halliday ..... D9/416  
 D527,627 S \* 9/2006 Liebe ..... D9/428  
 D528,908 S \* 9/2006 Faktorovich ..... D9/424  
 D546,670 S \* 7/2007 Sainz ..... D9/420  
 D547,103 S \* 7/2007 Huang ..... D6/634  
 D678,759 S \* 3/2013 Gottschalk ..... D9/415

D679,904 S 4/2013 Allan  
 D684,256 S 6/2013 Menezes  
 D705,051 S \* 5/2014 Cassens ..... D9/429  
 D734,027 S \* 7/2015 Noble ..... D3/254  
 D781,699 S \* 3/2017 Pan ..... D9/423  
 D795,058 S \* 8/2017 Buck ..... D9/428  
 D795,059 S \* 8/2017 Buck ..... D9/428  
 D796,317 S \* 9/2017 Buck ..... D9/428  
 D819,452 S 6/2018 Chang  
 D828,749 S \* 9/2018 Swegle ..... B65D 81/3813  
 D9/415  
 D848,075 S 5/2019 Szasz et al.  
 D879,601 S \* 3/2020 Dorr ..... D9/415  
 D883,668 S \* 5/2020 Sakai ..... D3/294  
 D898,564 S \* 10/2020 Sanders ..... D9/717  
 D901,307 S 11/2020 Ha  
 D913,801 S \* 3/2021 Mastronardi ..... D9/429  
 D934,067 S \* 10/2021 Purkey ..... D9/416

OTHER PUBLICATIONS

Face Mask Travel Case. Captured Feb. 24, 2021 [online]. Available:  
<https://gir.co/products/face-mask-travel-case?variant=32107597758553>, 9 p ages.  
 13 Face Mask Storage Ideas. Captured Feb. 24, 2021 [online]. Available: <https://www.glamour.com/gallery/face-mask-storage-ideas>, 24 pages.  
 N95 Respirator Case. Captured Feb. 24, 2021 [online]. Available: <https://3dprint.nih.gov/discover/3dpx-013349>, 1 page.

\* cited by examiner

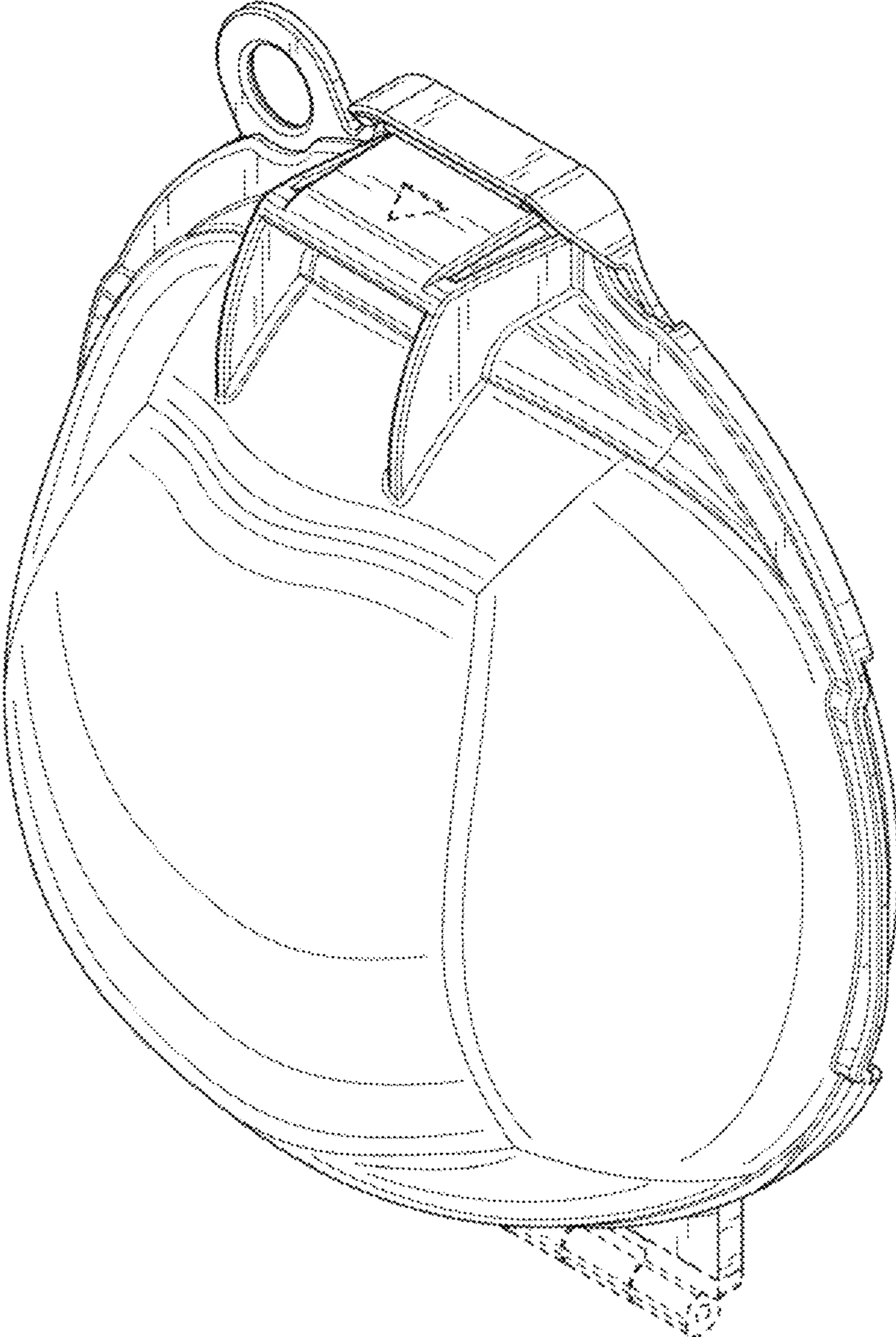


FIG. 1

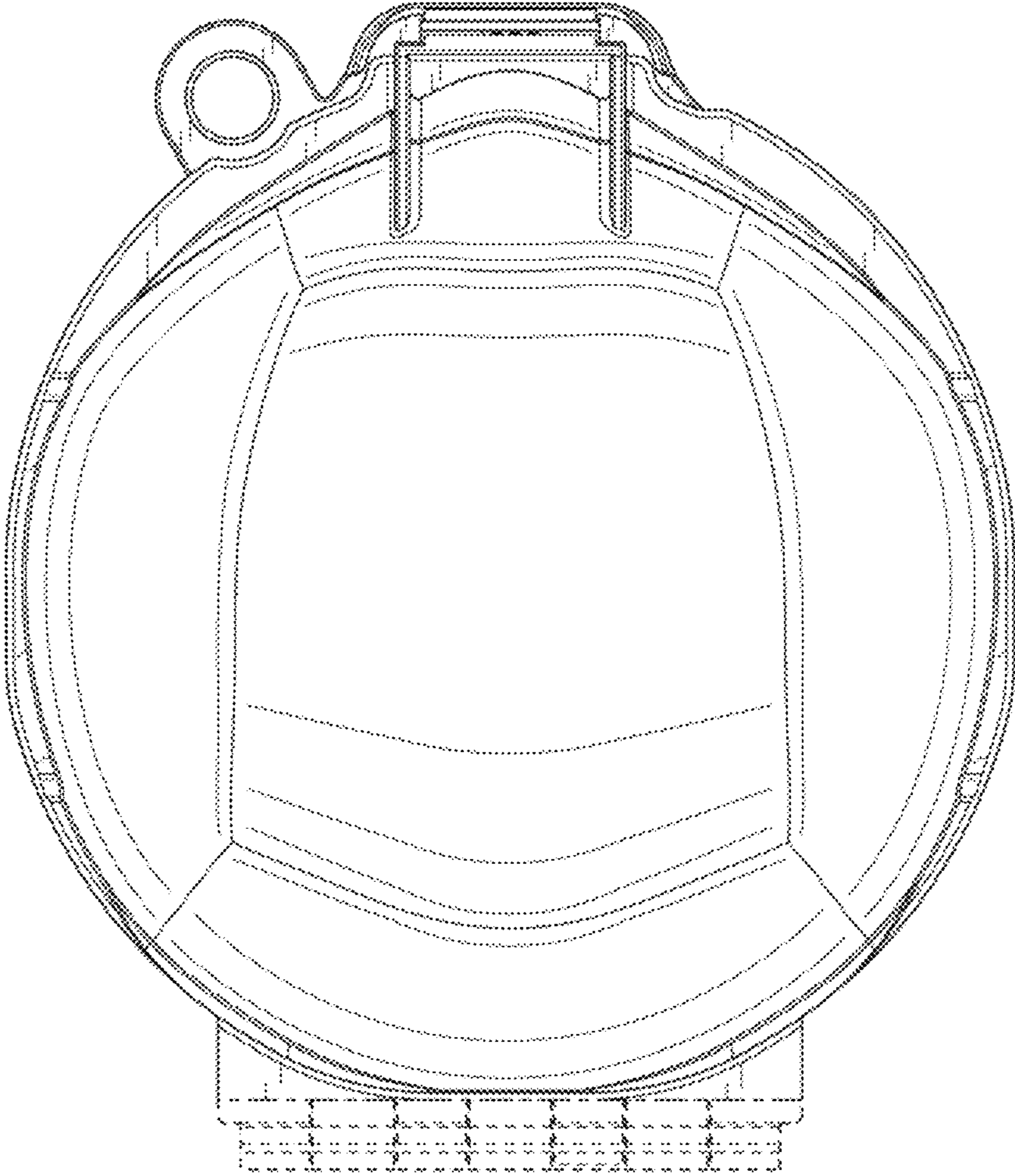


FIG. 2

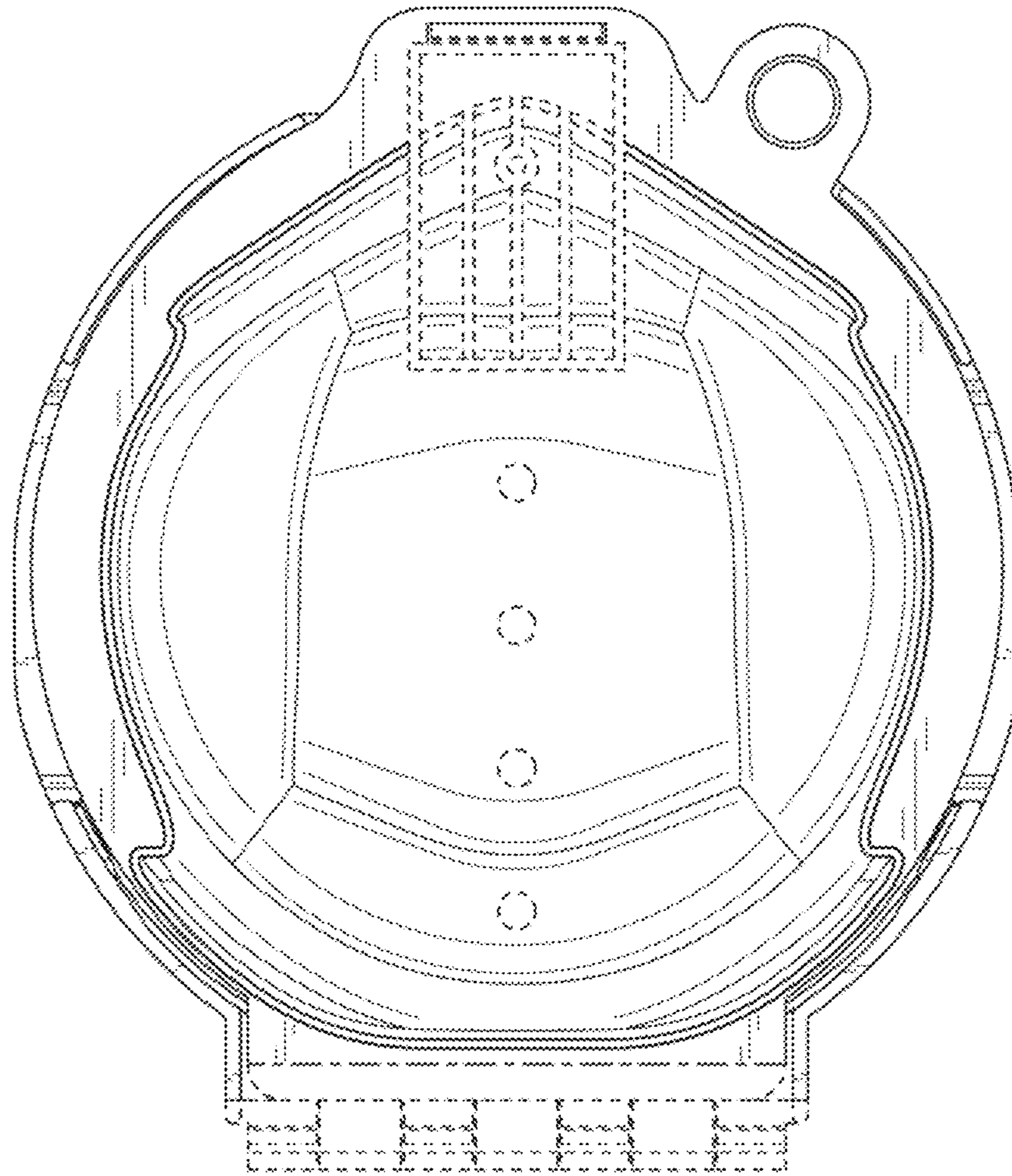


FIG. 3

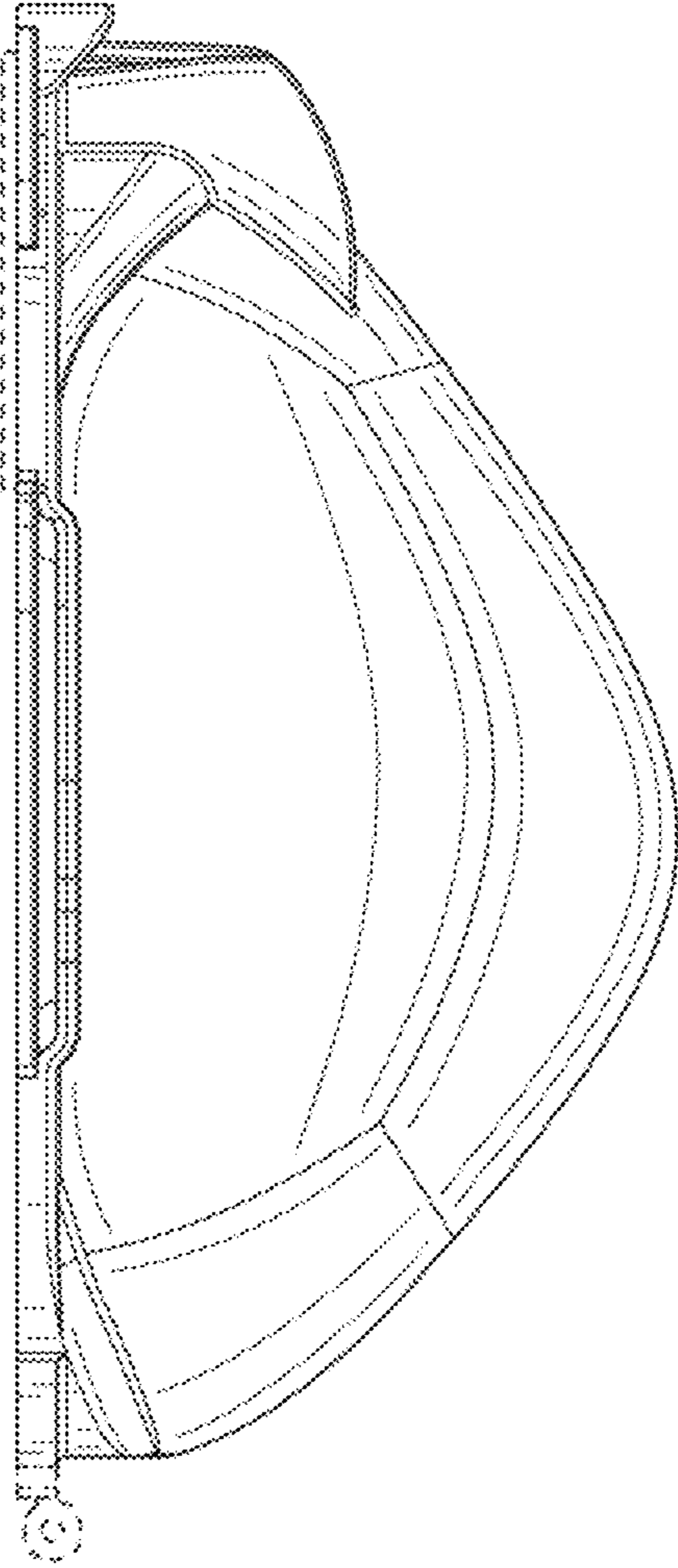


FIG. 4

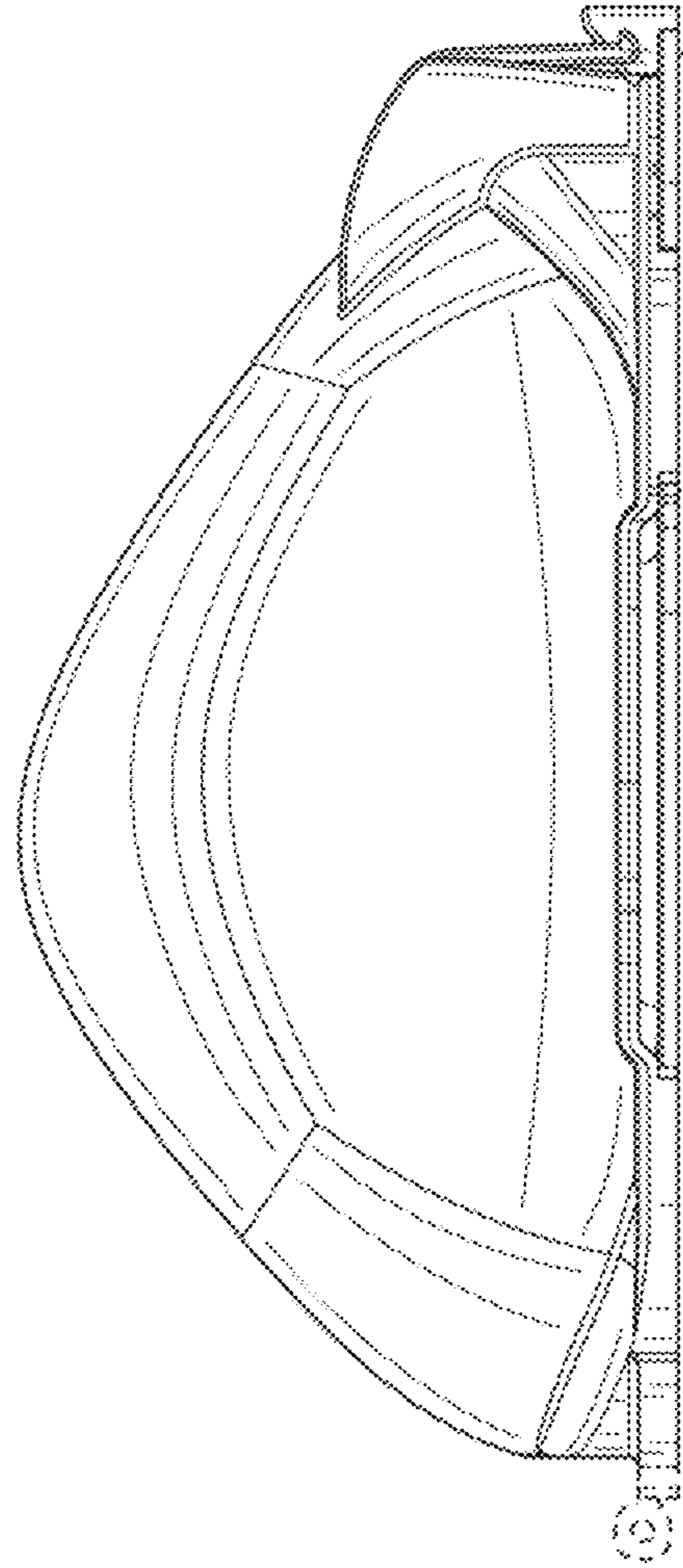


FIG. 5

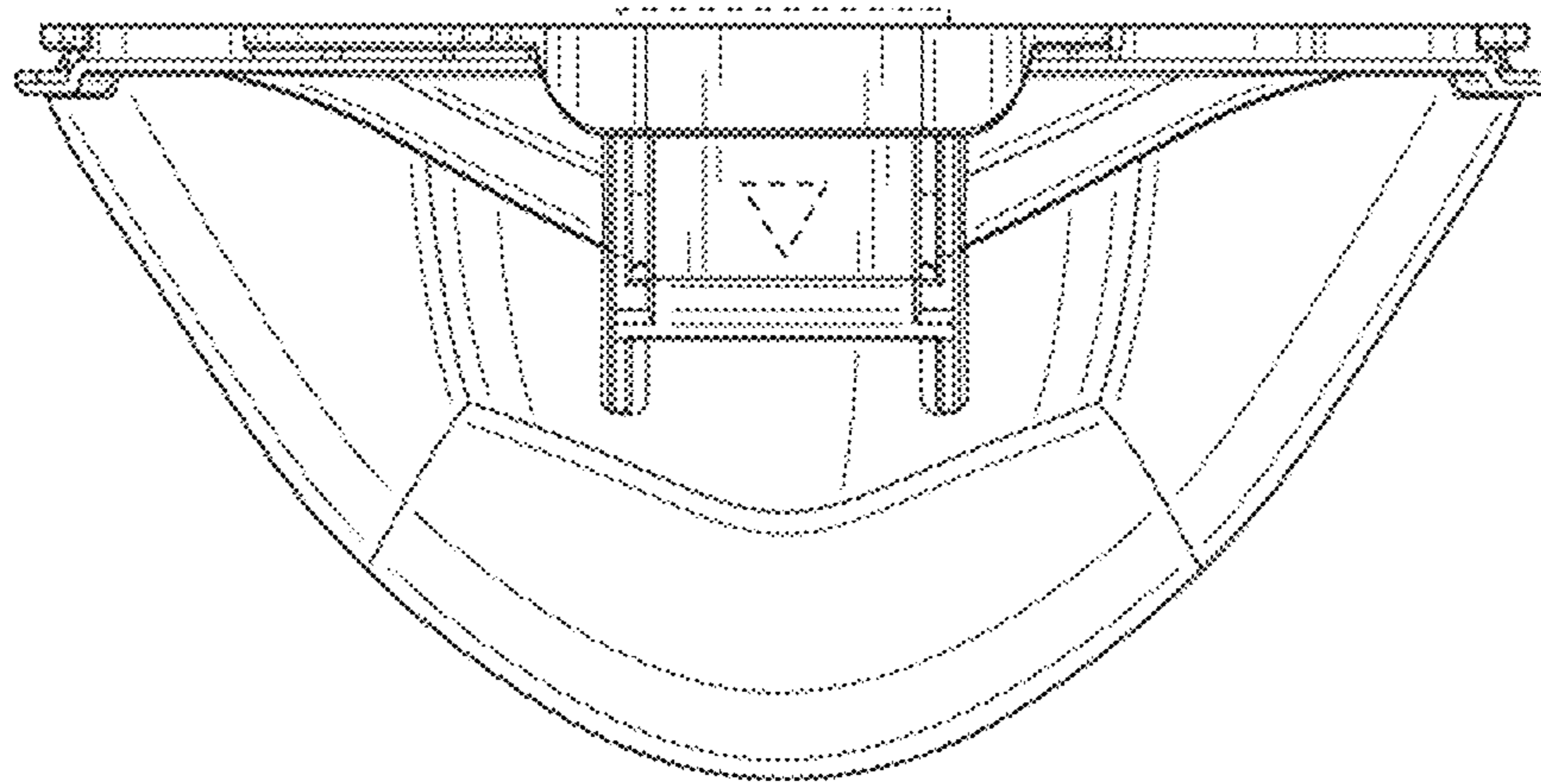


FIG. 6



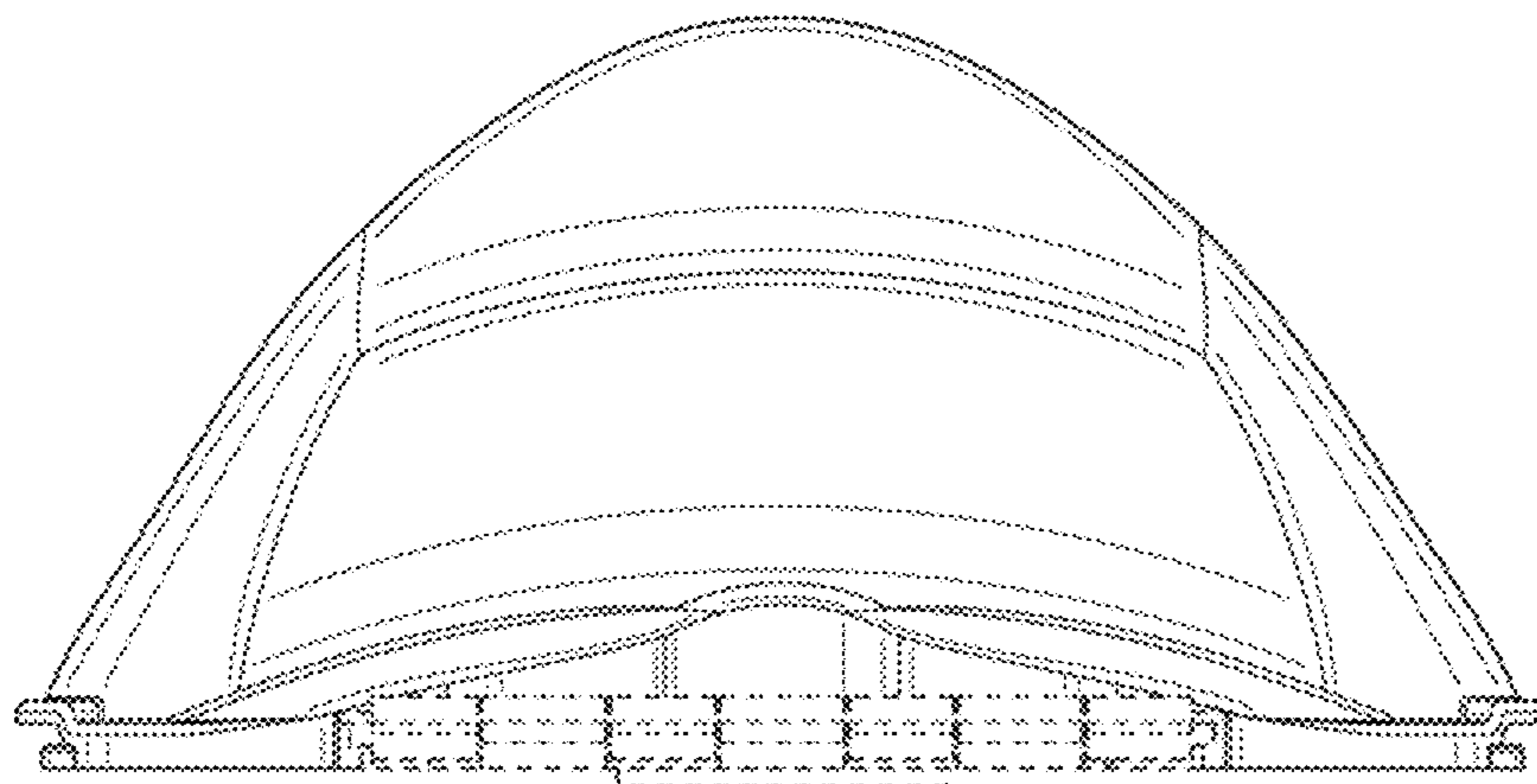


FIG. 7

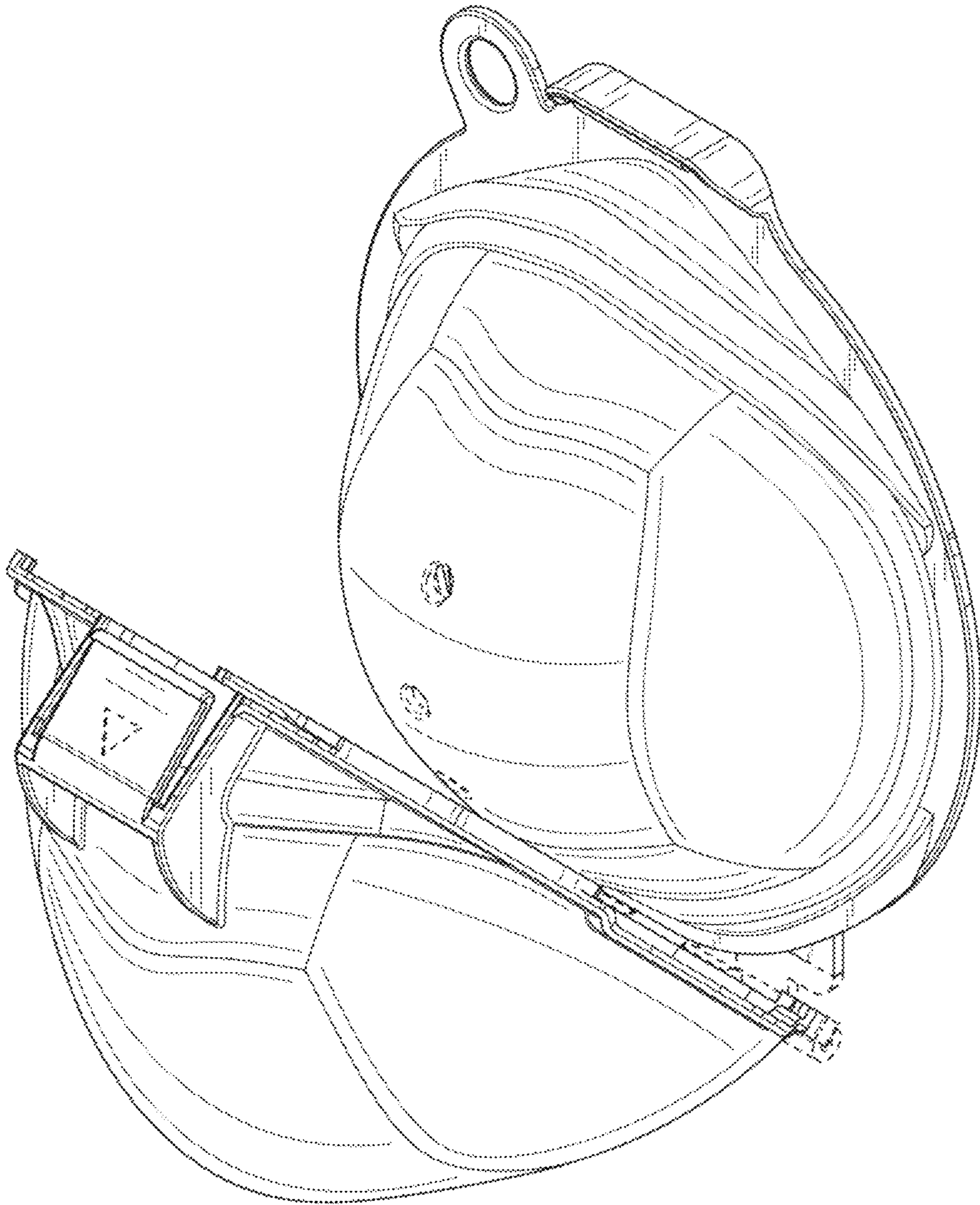


FIG. 8

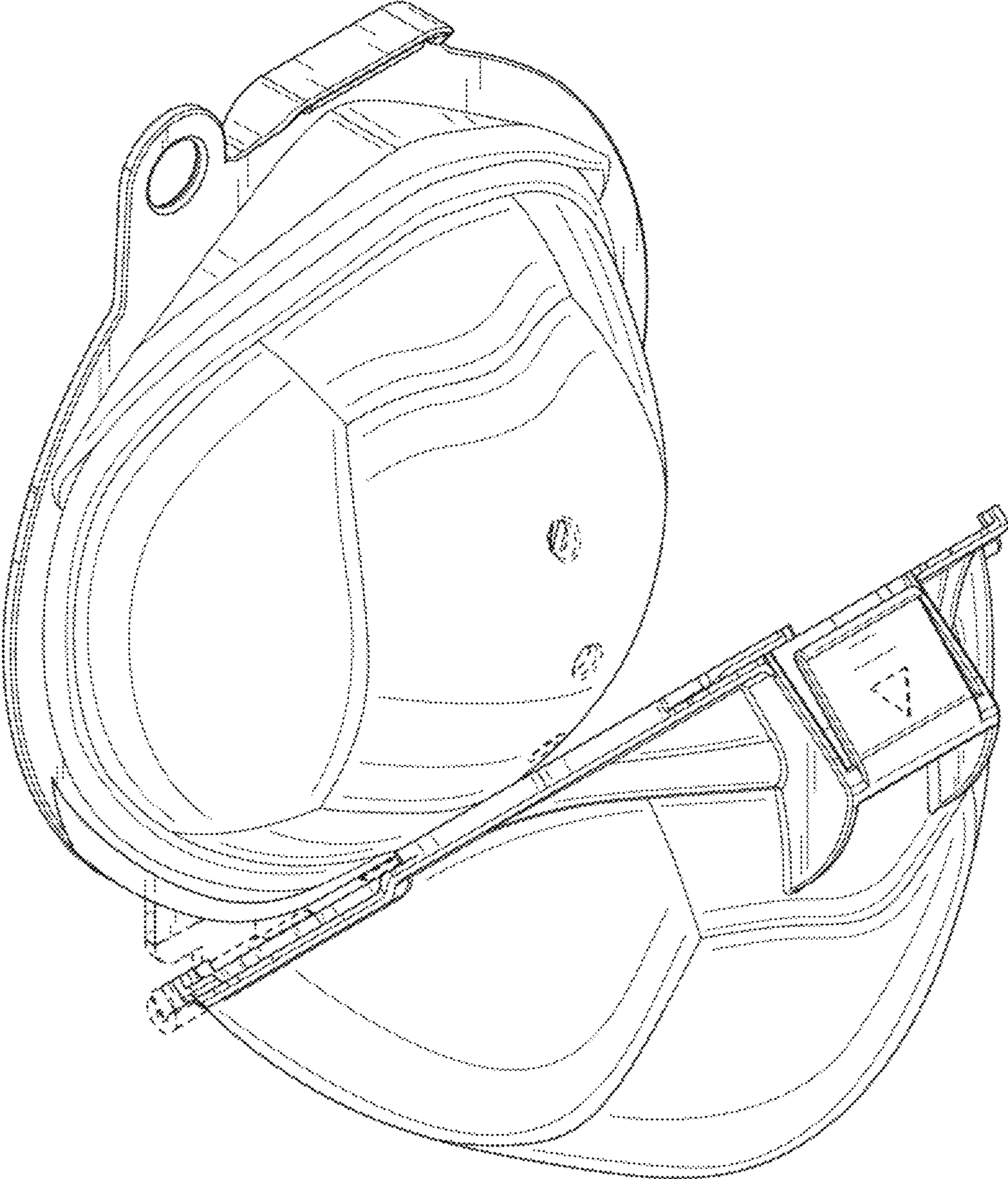


FIG. 9

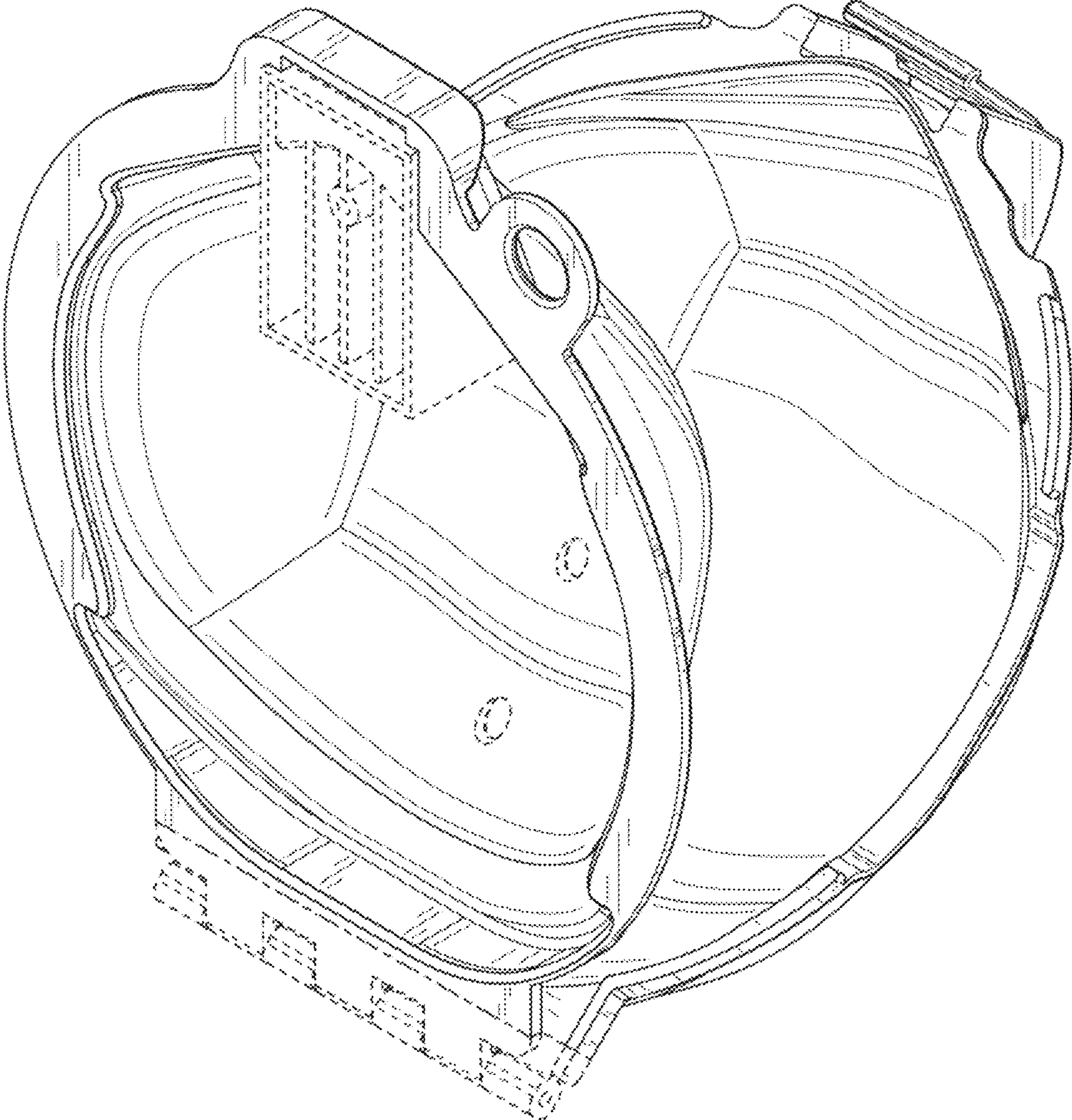


FIG. 10

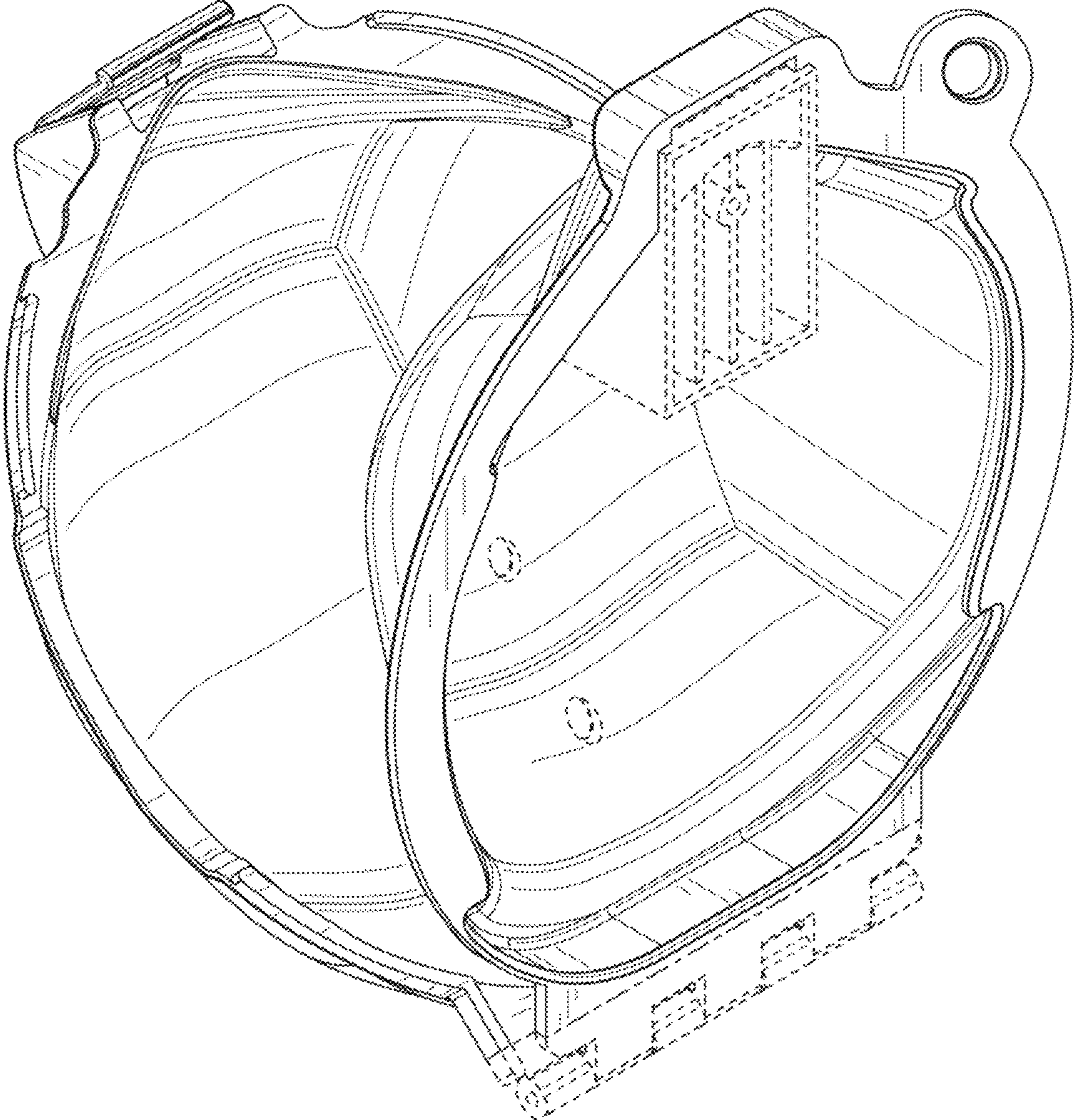


FIG. 11