



US00D953022S

(12) **United States Design Patent** (10) **Patent No.:** **US D953,022 S**
Colin (45) **Date of Patent:** **** May 31, 2022**

(54) **HANDBAG**

(71) Applicant: **CARTIER INTERNATIONAL AG,**
Steinhausen (CH)

(72) Inventor: **Fabrice Colin,** Paris (FR)

(**) Term: **15 Years**

(21) Appl. No.: **35/509,368**

(22) Filed: **Mar. 19, 2020**

(80) **Hague Agreement Data**

Int. Filing Date: **Mar. 19, 2020**

Int. Reg. No.: **DM/207777**

Int. Reg. Date: **Mar. 19, 2020**

Int. Reg. Pub. Date: **May 15, 2020**

(51) **LOC (13) Cl.** **03-01**

(52) **U.S. Cl.**
USPC **D3/243**

(58) **Field of Classification Search**
USPC D3/201, 217, 232–233, 240–243,
D3/245–247, 249–253, 318, 321, 322
CPC A45C 1/024; A45C 3/06
See application file for complete search history.

(56) **References Cited**

U.S. PATENT DOCUMENTS

D104,075 S * 4/1937 Lewis D3/243
D266,201 S * 9/1982 Berman 224/240

D655,583 S * 3/2012 Palazzolo D7/709
D698,547 S * 2/2014 Deneve D3/243
D773,810 S * 12/2016 Jacobs D3/243
D789,684 S * 6/2017 Michele D3/232
D829,438 S * 10/2018 Sukhaya D3/243
D851,397 S * 6/2019 Li D3/243
D854,317 S * 7/2019 Rahardjo D3/243
D857,381 S * 8/2019 Fusi D3/232
D857,384 S * 8/2019 Vaccarello D3/243
D865,358 S * 11/2019 Rahardjo D3/243
D901,170 S * 11/2020 Sassi D3/232

* cited by examiner

Primary Examiner — Holly E Thurman

(57) **CLAIM**

The ornamental design for a handbag, as shown and described.

DESCRIPTION

1.1 is a perspective view of a handbag, showing my new design;

1.2 is a front view thereof;

1.3 is a back view thereof;

1.4 is a right view thereof;

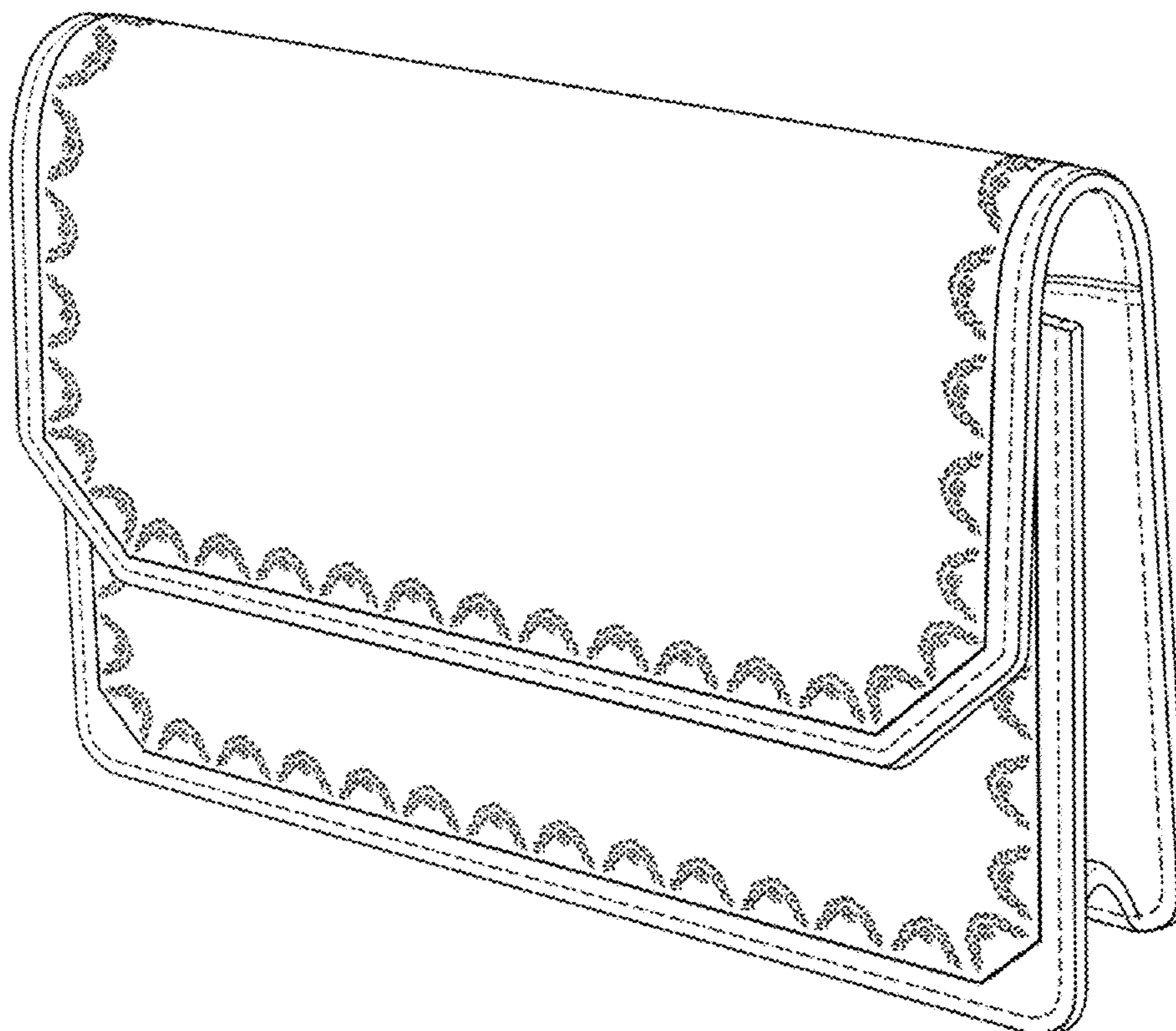
1.5 is a left view thereof;

1.6 is a top view thereof; and

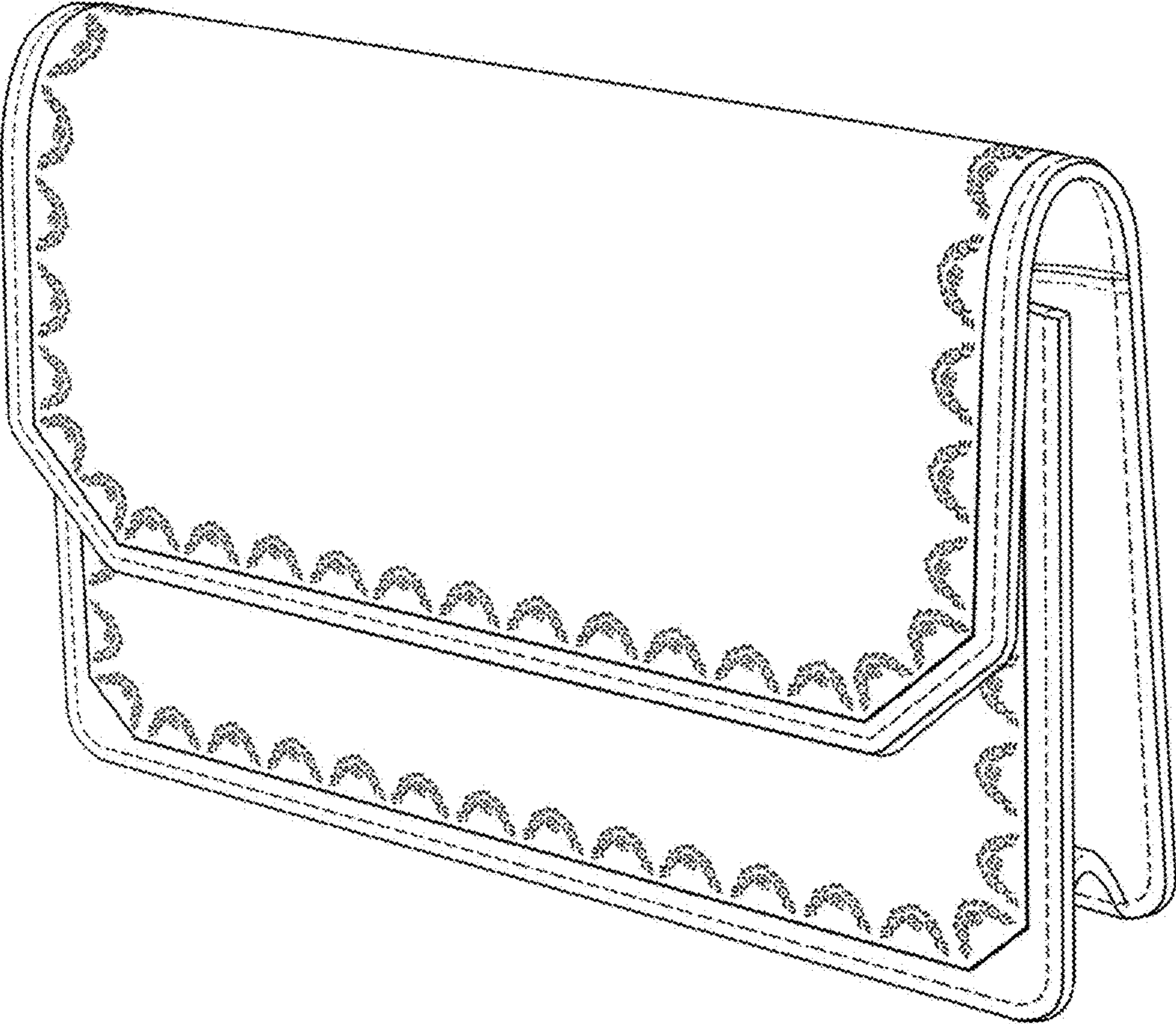
1.7 is a bottom view thereof.

The broken lines in the reproductions represent seams and form no part of the claimed design. The floral crescent elements represent surface indicia.

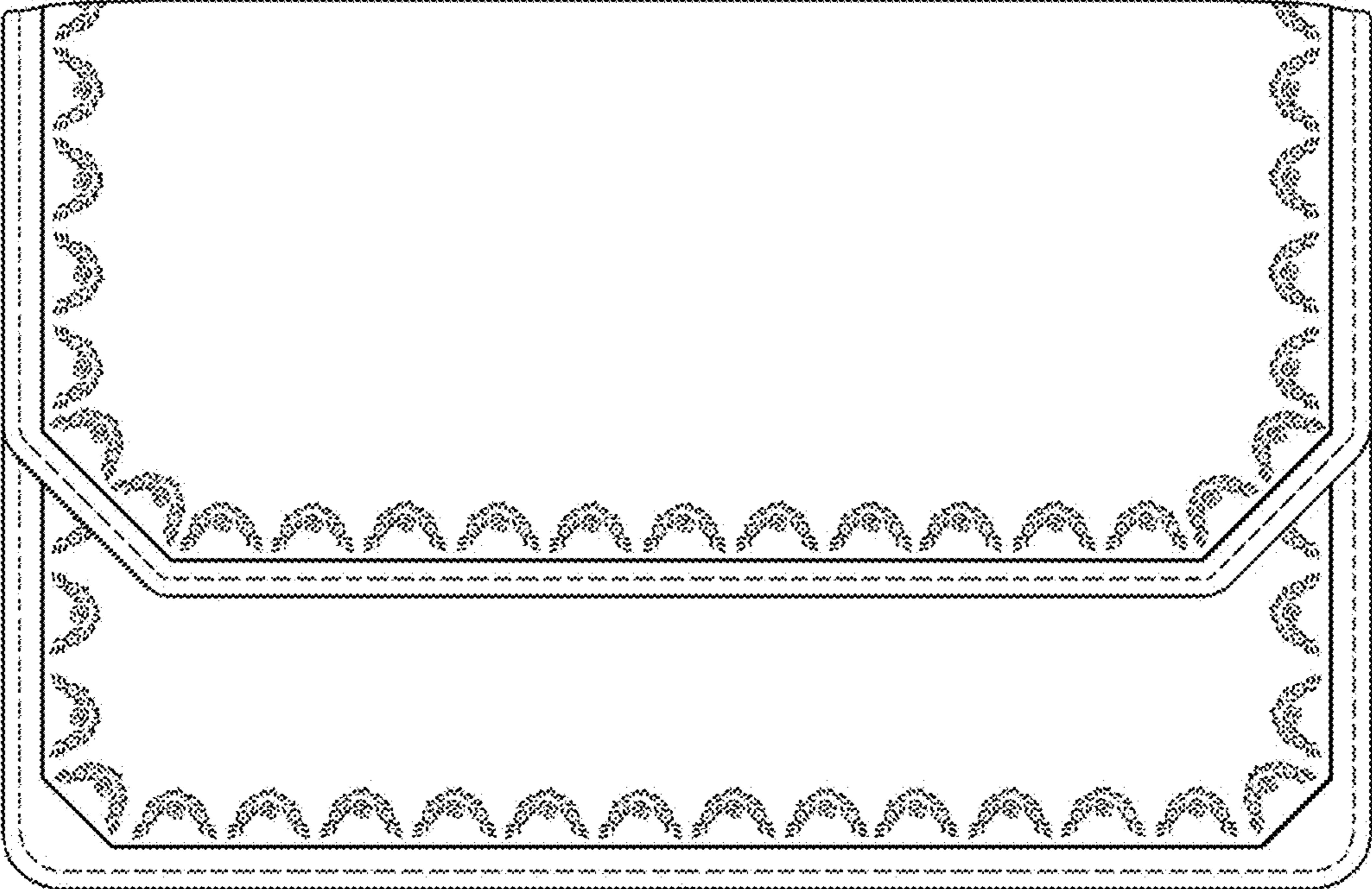
1 Claim, 7 Drawing Sheets



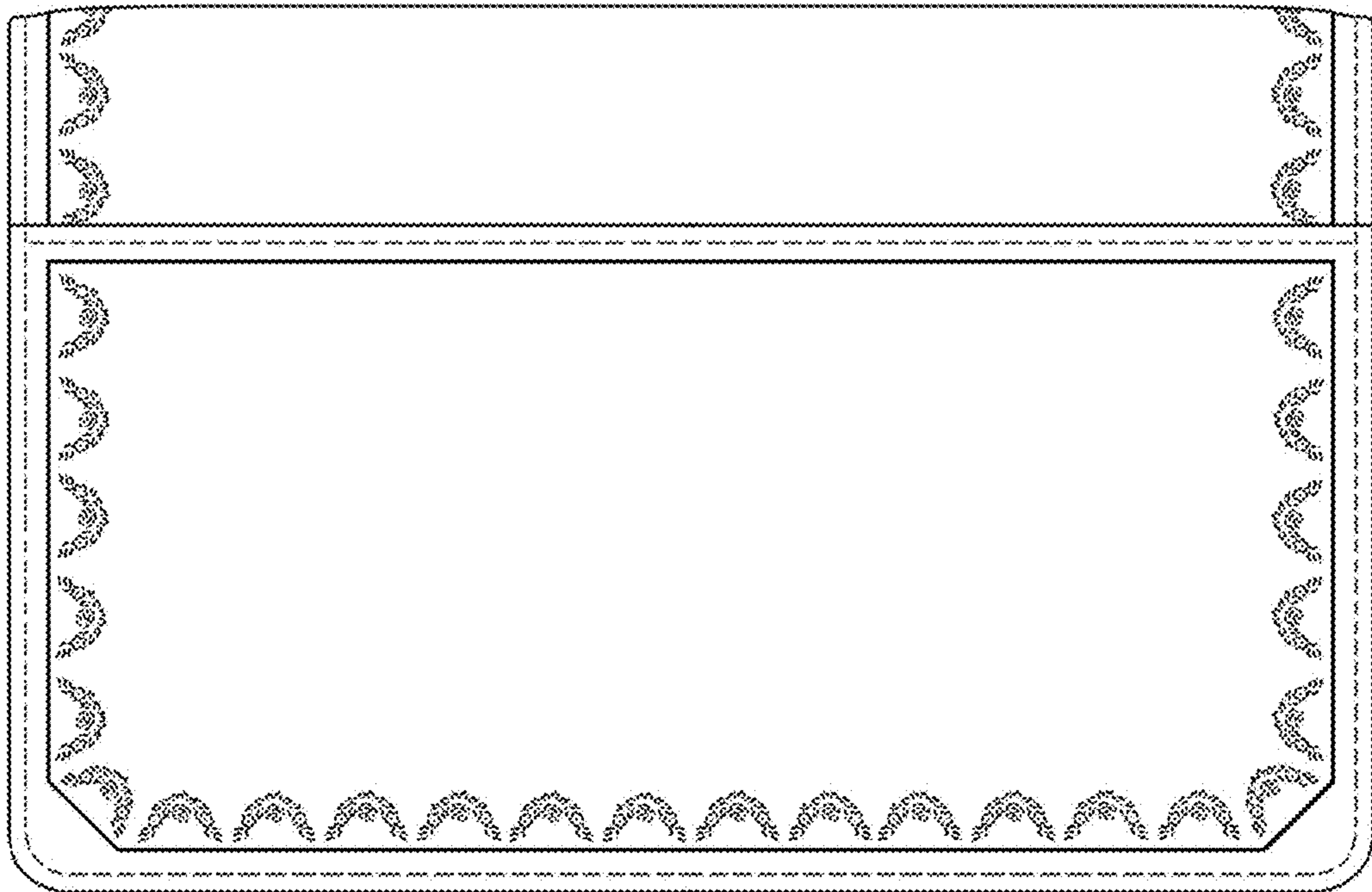
1.1



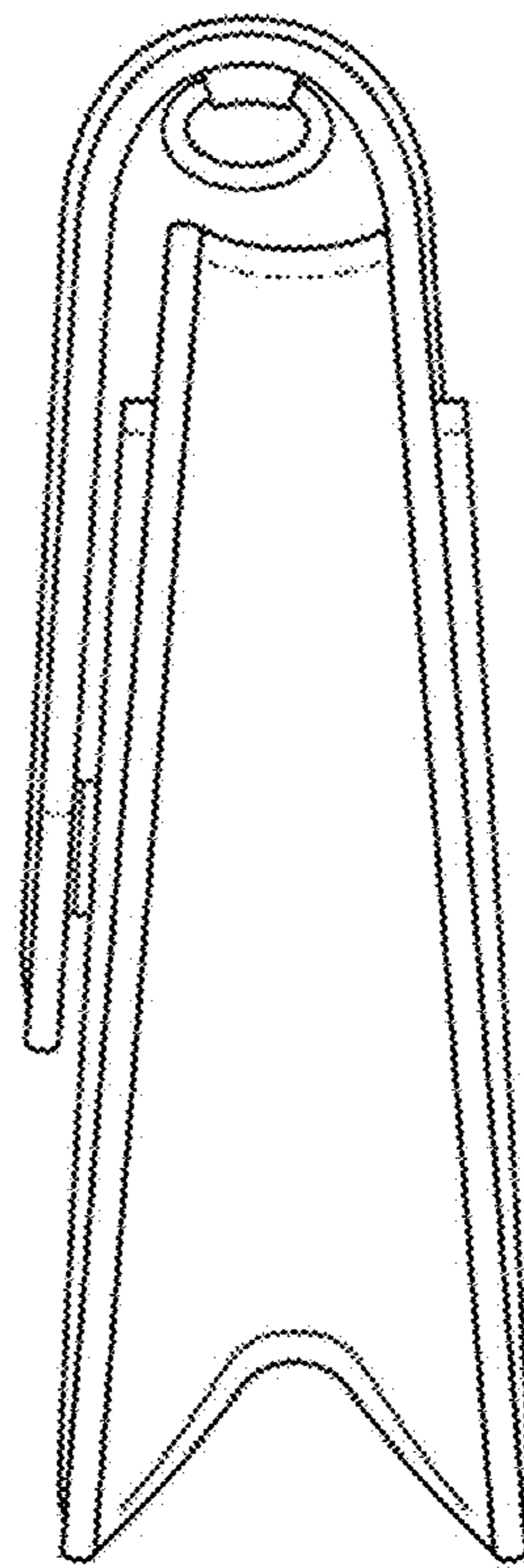
1.2



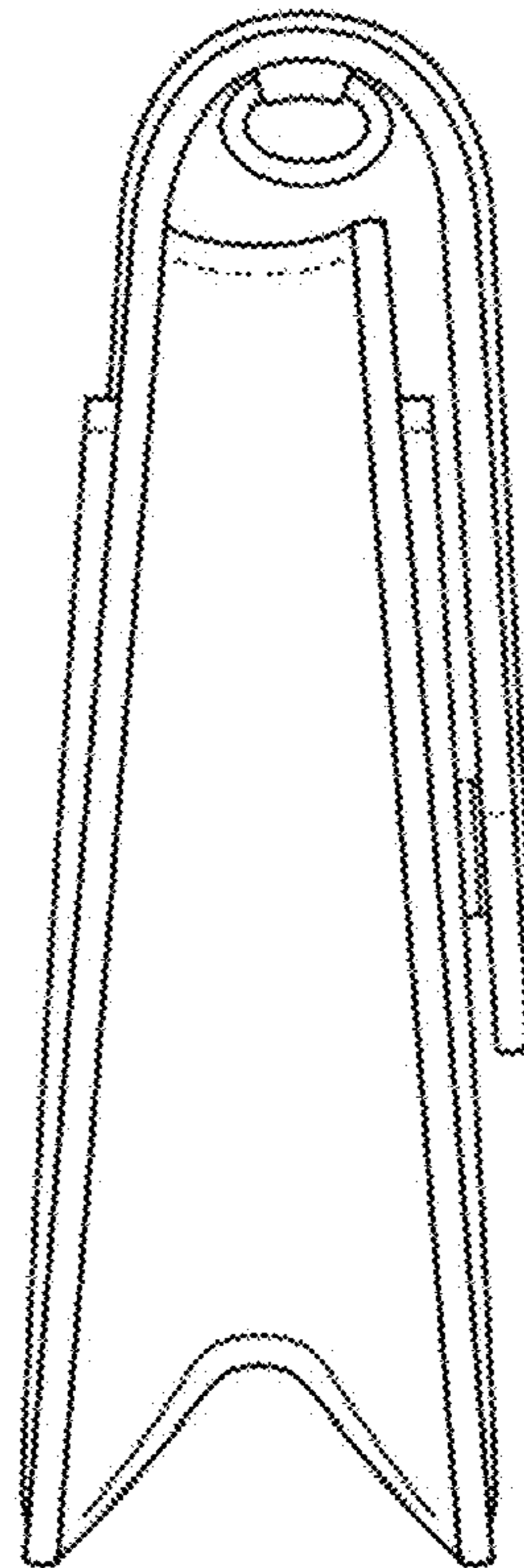
1.3



1.4



1.5



1.6



1.7

