



US00D953021S

(12) **United States Design Patent**
Oymak

(10) **Patent No.:** **US D953,021 S**

(45) **Date of Patent:** **** May 31, 2022**

(54) **HANDBAG**

(71) Applicant: **CARTIER INTERNATIONAL AG,**
Steinhausen (CH)

(72) Inventor: **Irem Oymak,** Paris (FR)

(**) Term: **15 Years**

(21) Appl. No.: **35/509,351**

(22) Filed: **Mar. 19, 2020**

(80) **Hague Agreement Data**

Int. Filing Date: **Mar. 19, 2020**

Int. Reg. No.: **DM/207779**

Int. Reg. Date: **Mar. 19, 2020**

Int. Reg. Pub. Date: **May 15, 2020**

(51) **LOC (13) Cl.** **03-01**

(52) **U.S. Cl.**
USPC **D3/243**

(58) **Field of Classification Search**

USPC D3/201, 217, 232–233, 240–243,
D3/245–247, 249–253, 318, 321, 322

CPC A45C 1/024; A45C 3/06

See application file for complete search history.

(56) **References Cited**

U.S. PATENT DOCUMENTS

D658,874 S * 5/2012 Jobert D3/247
D690,097 S * 9/2013 Phillips D3/232

D706,537 S * 6/2014 Brandt D3/247
D714,048 S * 9/2014 Wang D3/232
D721,485 S * 1/2015 Sassi D3/243
D730,042 S * 5/2015 Slimane D3/243
D756,640 S * 5/2016 Dumas D3/247
D812,904 S * 3/2018 Nair D3/243
D834,309 S * 11/2018 Heyman D3/232
D854,318 S * 7/2019 Rahardjo D3/243
D854,821 S * 7/2019 Vidal D3/232
D855,980 S * 8/2019 Rahardjo D3/243
D858,978 S * 9/2019 Dumas D3/232

* cited by examiner

Primary Examiner — Holly E Thurman

(57) **CLAIM**

The ornamental design for a handbag, as shown and described.

DESCRIPTION

1.1 is a perspective view of a part of a handbag, showing my new design;

1.2 is a front view thereof;

1.3 is a back view thereof;

1.4 is a right view thereof;

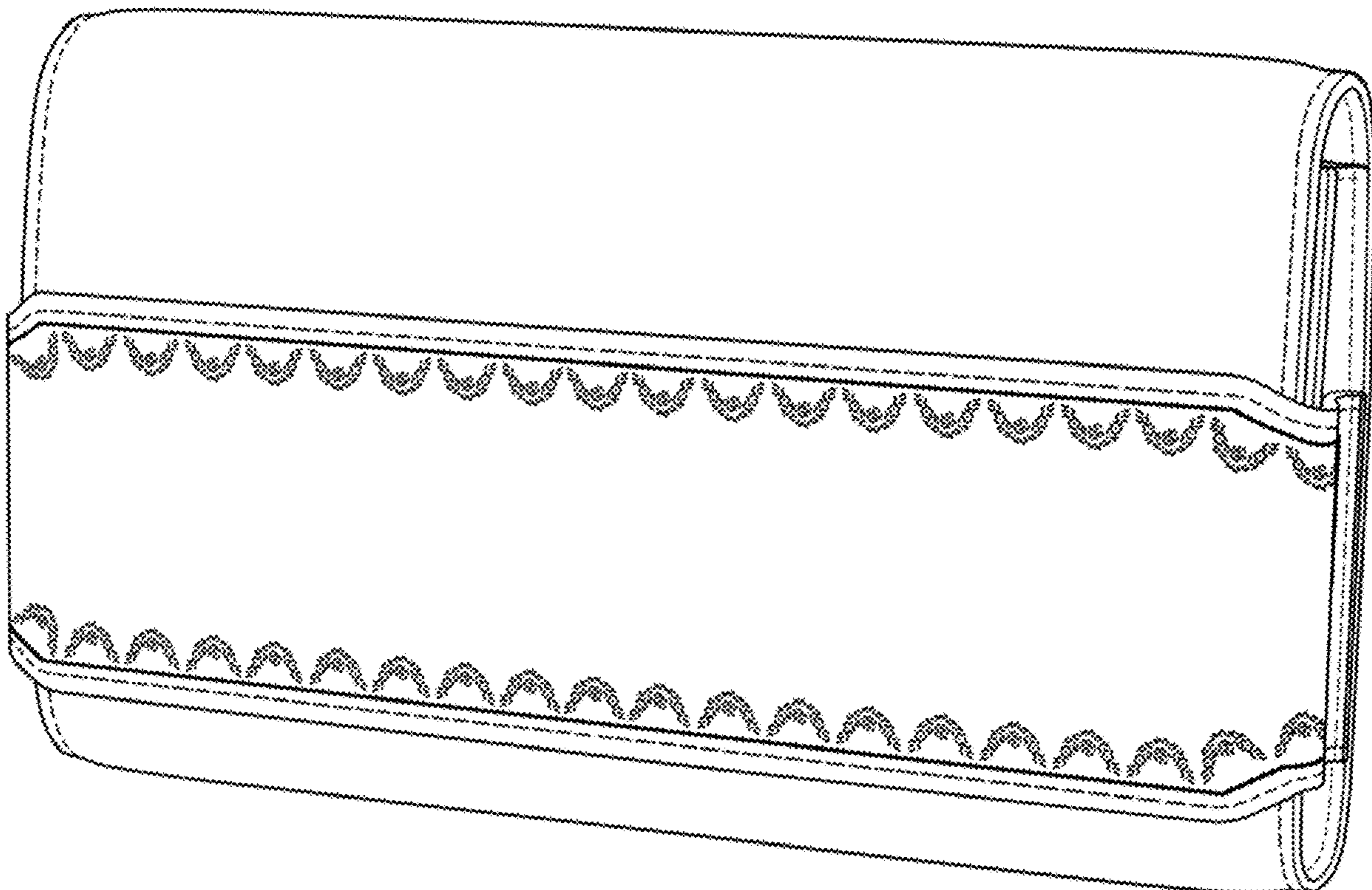
1.5 is a left view thereof;

1.6 is a top view thereof; and

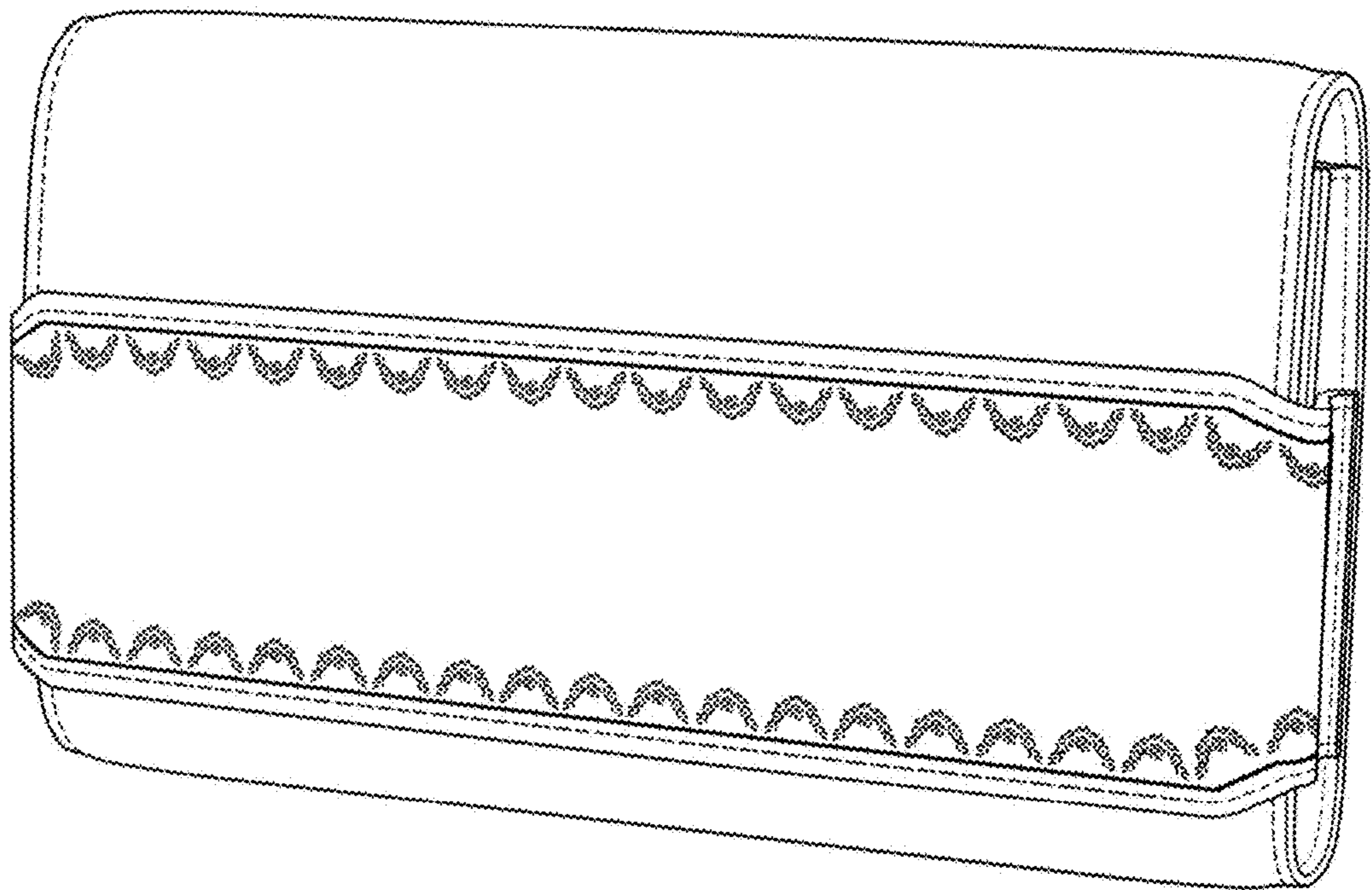
1.7 is a bottom view thereof.

The broken lines in the reproductions represent seams and form no part of the claimed design. The floral crescent elements represent surface indicia.

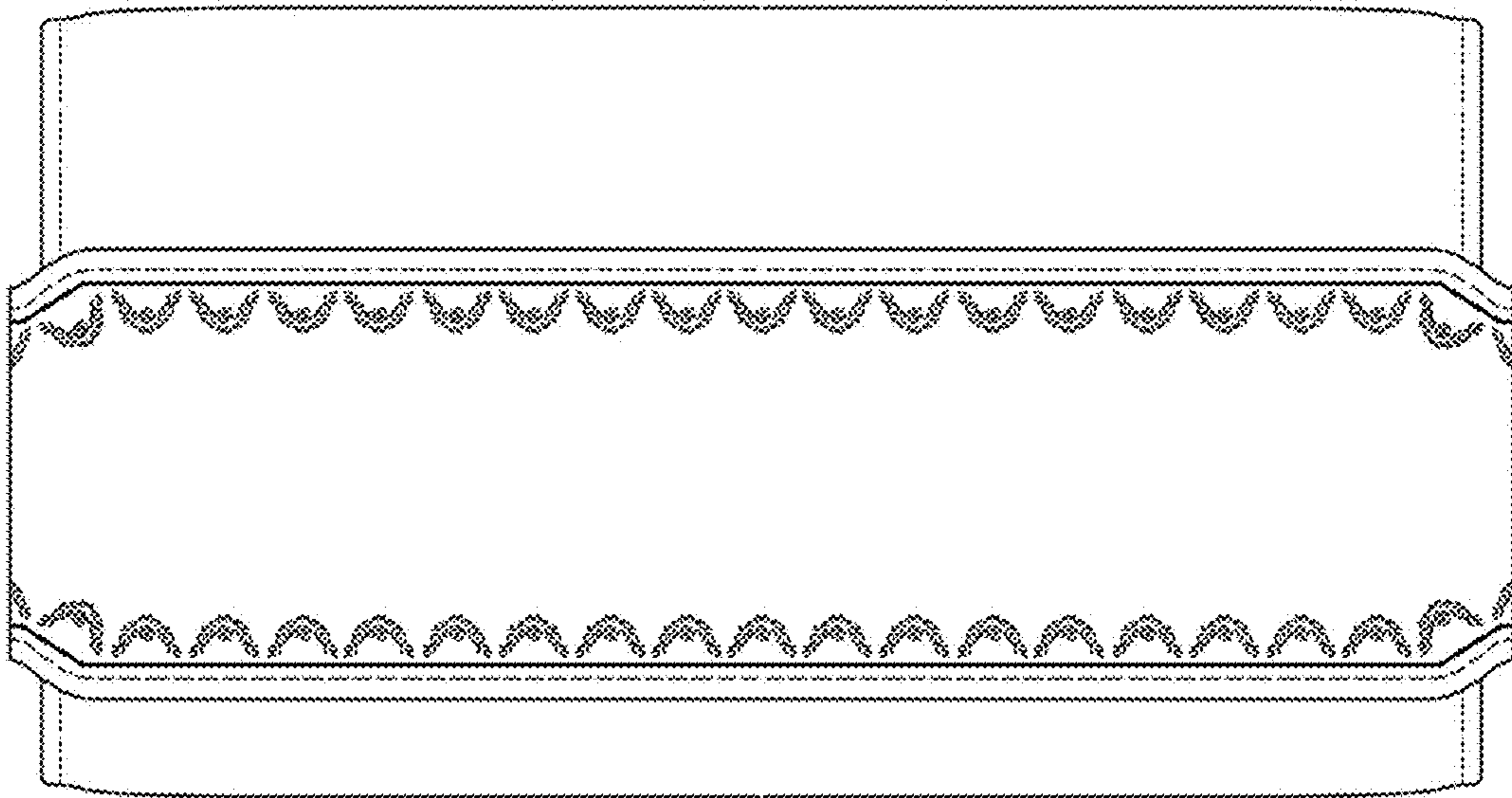
1 Claim, 7 Drawing Sheets



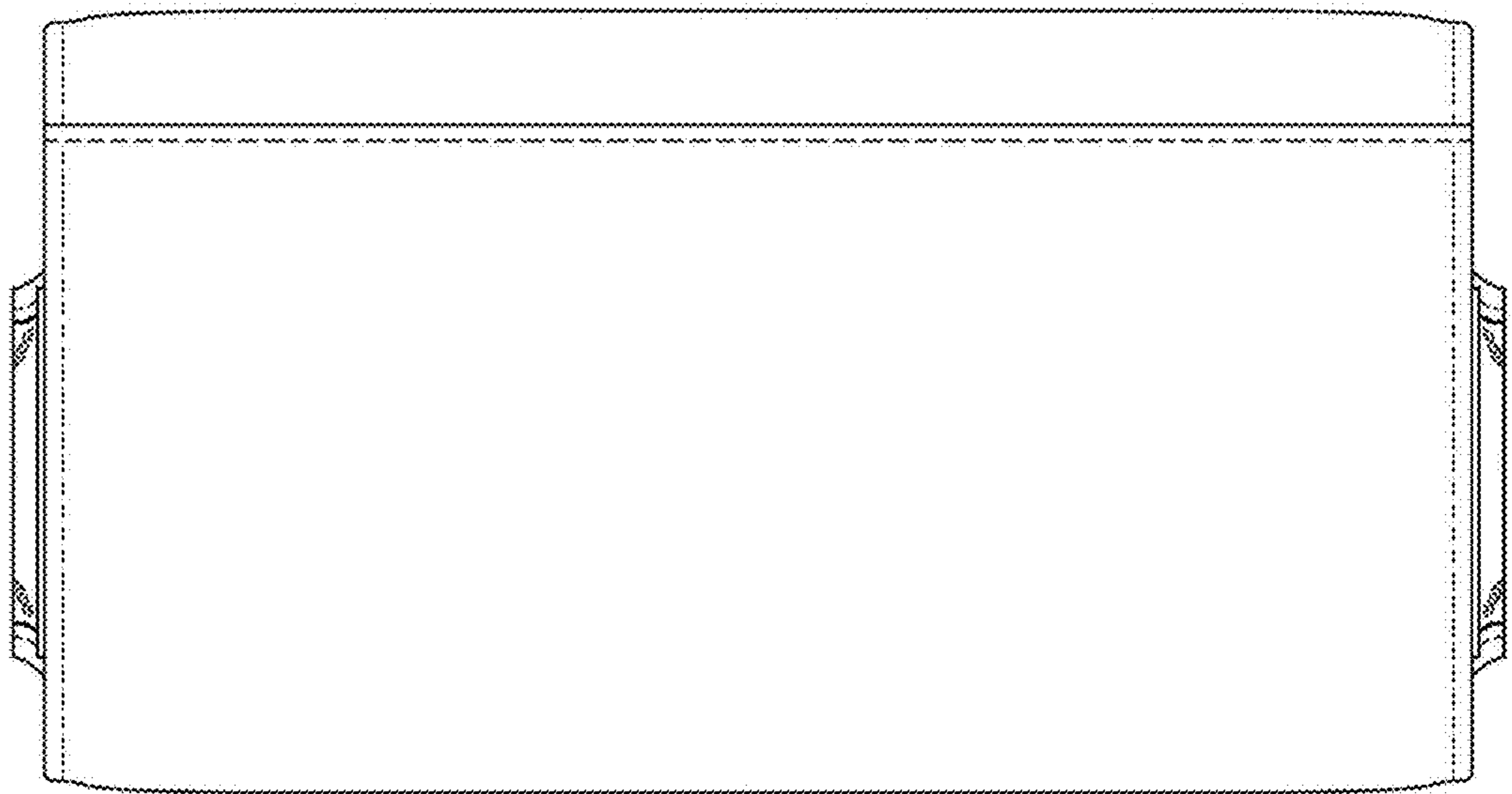
1.1



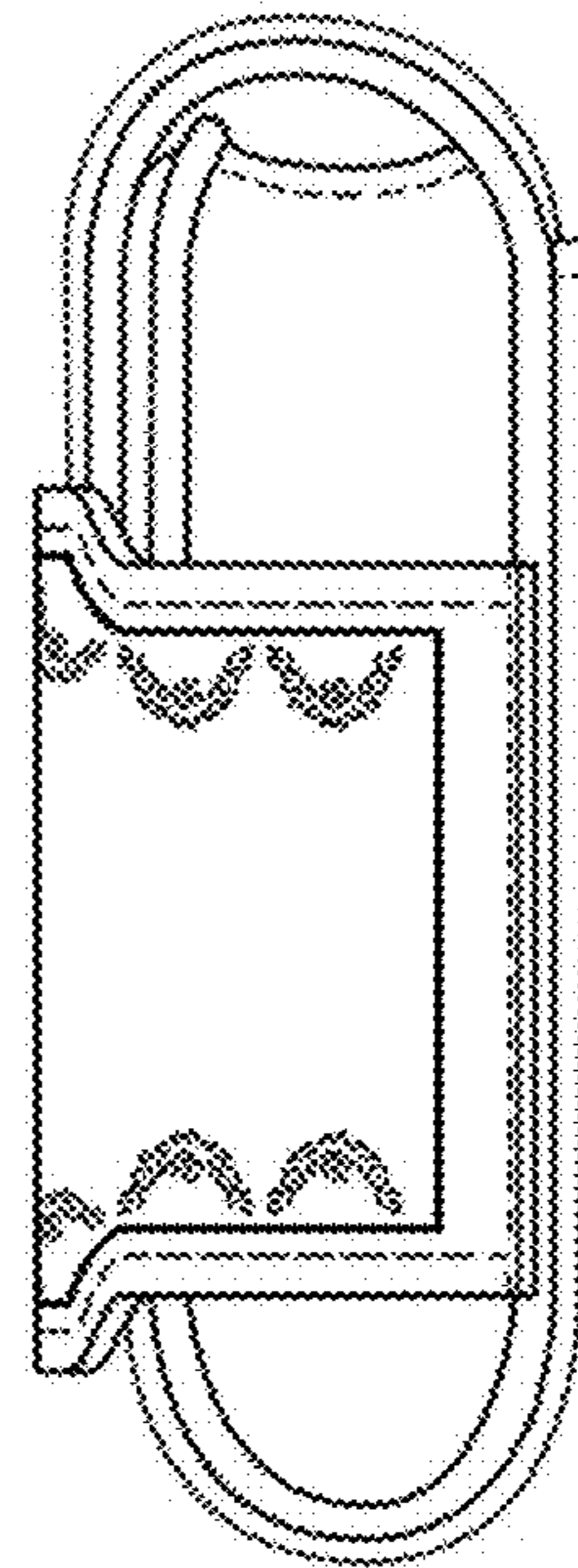
1.2



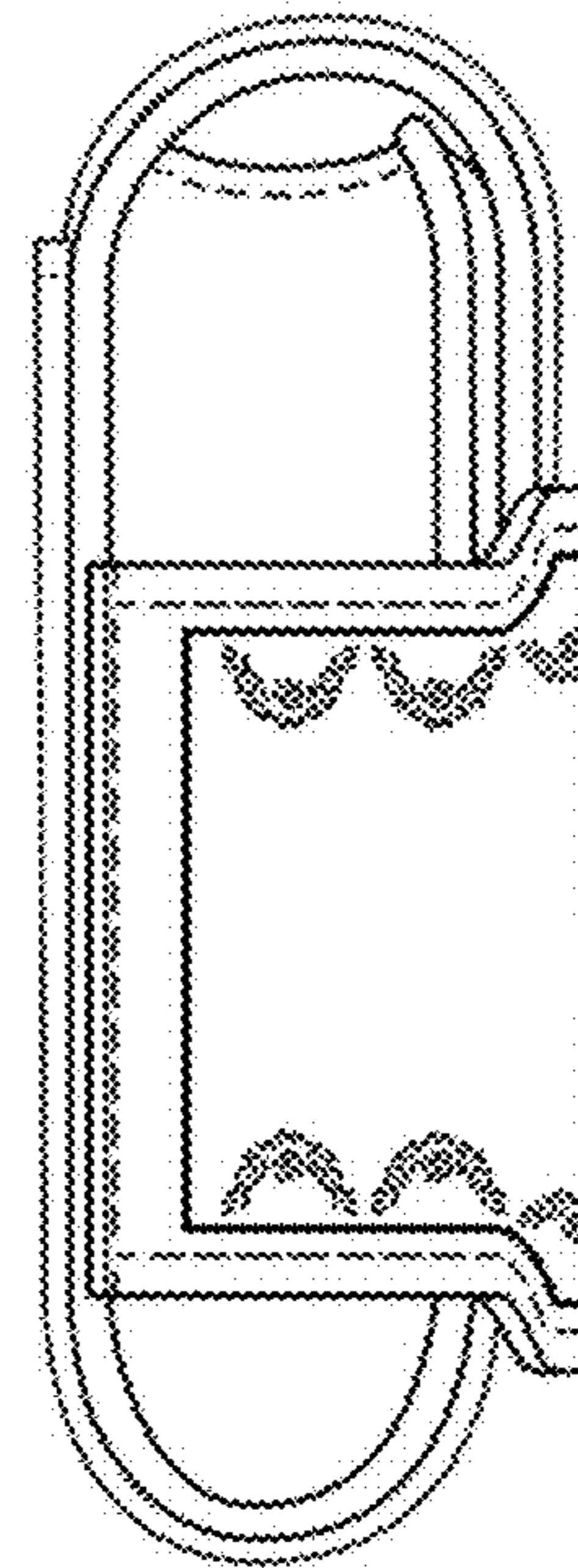
1.3



1.4



1.5



1.6



1.7

