



US00D953020S

(12) **United States Design Patent** (10) **Patent No.:** **US D953,020 S**
Colin (45) **Date of Patent:** **** May 31, 2022**

(54) **HANDBAG**

(56) **References Cited**

(71) Applicant: **CARTIER INTERNATIONAL AG,**
Steinhausen (CH)

U.S. PATENT DOCUMENTS

(72) Inventor: **Fabrice Colin,** Paris (FR)

D248,058 S *	5/1978	Siegel	D3/243
D596,850 S *	7/2009	Smith	D3/232
D773,810 S *	12/2016	Jacobs	D3/243
D816,340 S *	5/2018	Rosella	D3/318
D865,357 S *	11/2019	Metzger	D3/232

(**) Term: **15 Years**

* cited by examiner

(21) Appl. No.: **35/509,330**

Primary Examiner — Holly E Thurman

(22) Filed: **Mar. 19, 2020**

(57) **CLAIM**

(80) **Hague Agreement Data**

The ornamental design for a handbag, as shown and described.

Int. Filing Date: **Mar. 19, 2020**

DESCRIPTION

Int. Reg. No.: **DM/207778**

Int. Reg. Date: **Mar. 19, 2020**

Int. Reg. Pub. Date: **May 15, 2020**

- 1.1 is a perspective view of a handbag, showing my new design;
 1.2 is a front view thereof;
 1.3 is a back view thereof;
 1.4 is a right view thereof;
 1.5 is a left view thereof;
 1.6 is a top view thereof; and
 1.7 is a bottom view thereof.

(51) **LOC (13) Cl.** **03-01**

(52) **U.S. Cl.**
USPC **D3/243**

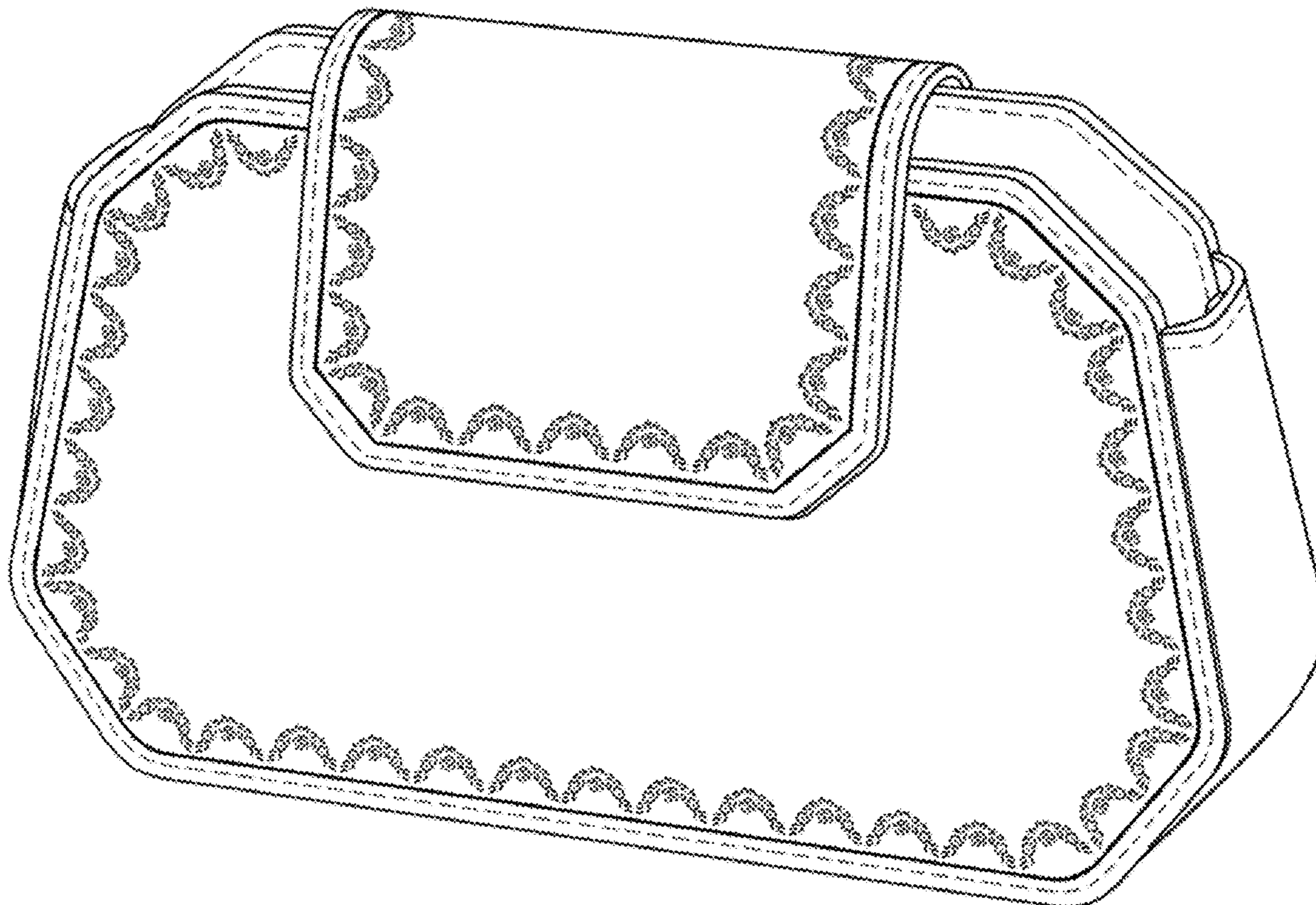
(58) **Field of Classification Search**
USPC D3/201, 217, 232–233, 240–243,
D3/245–247, 249–253, 318, 321, 322

CPC A45C 1/024; A45C 3/06

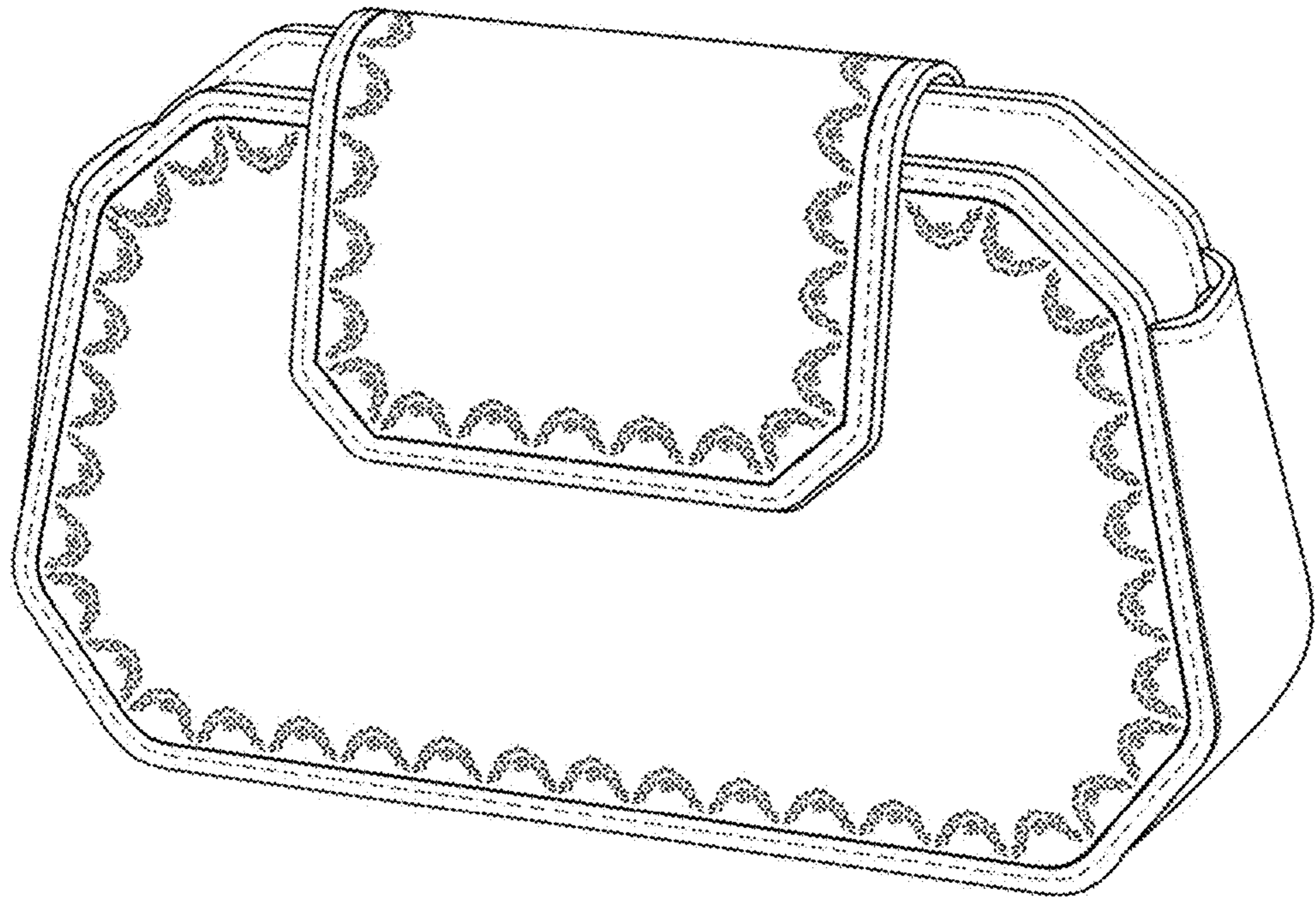
See application file for complete search history.

The broken lines in the reproductions represent seams and form no part of the claimed design. The floral crescent elements represent surface indicia.

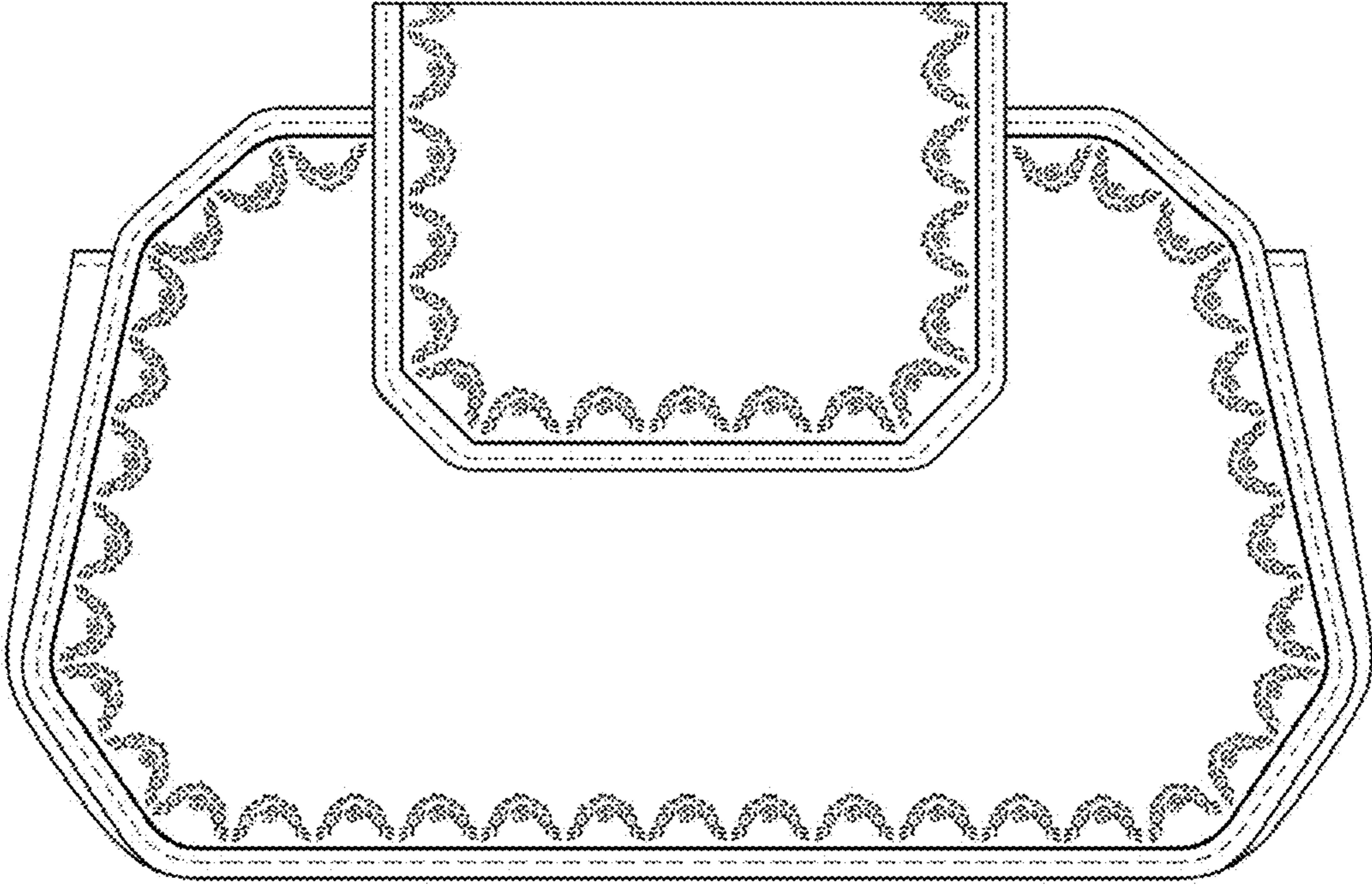
1 Claim, 7 Drawing Sheets



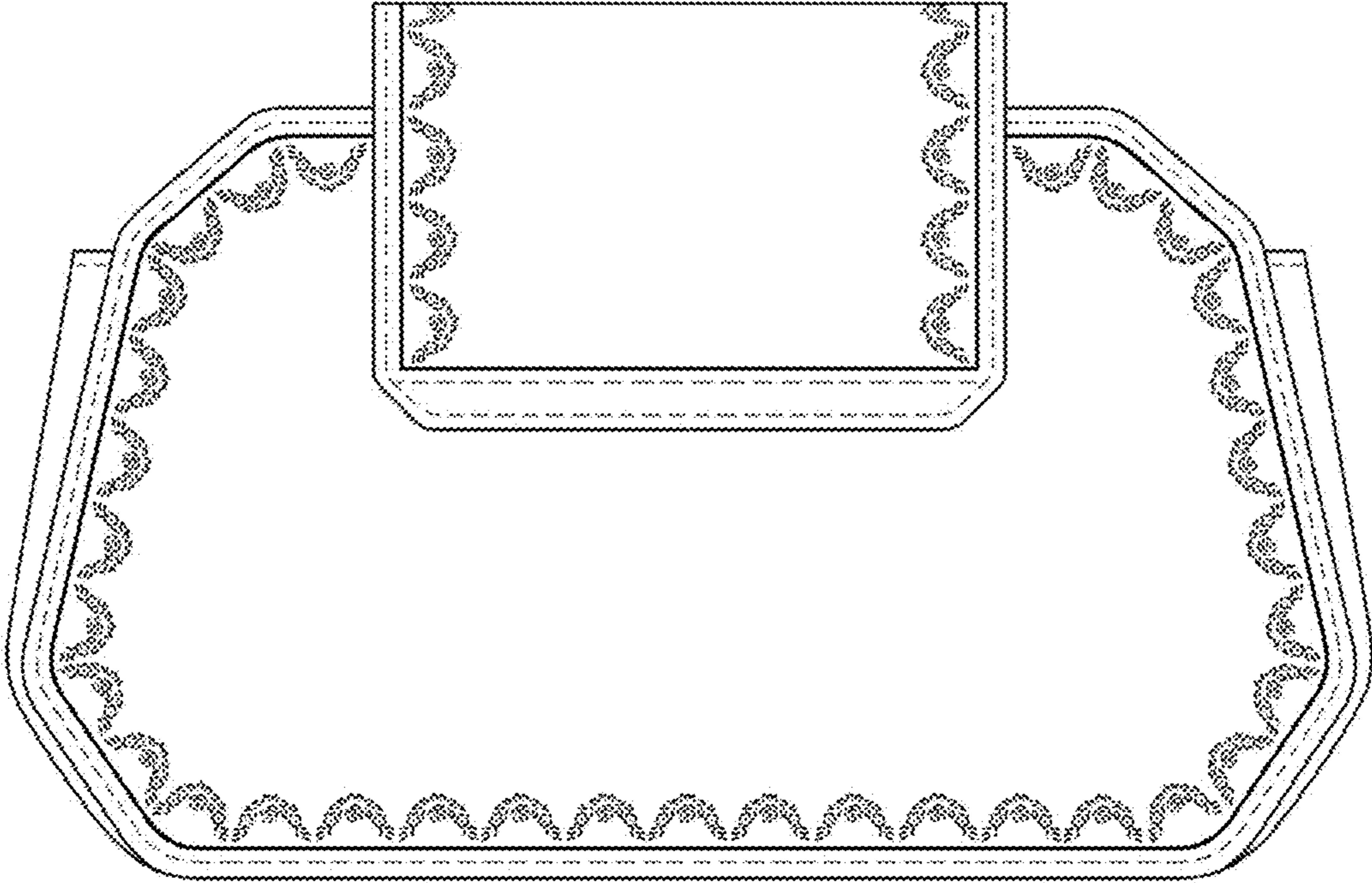
1.1



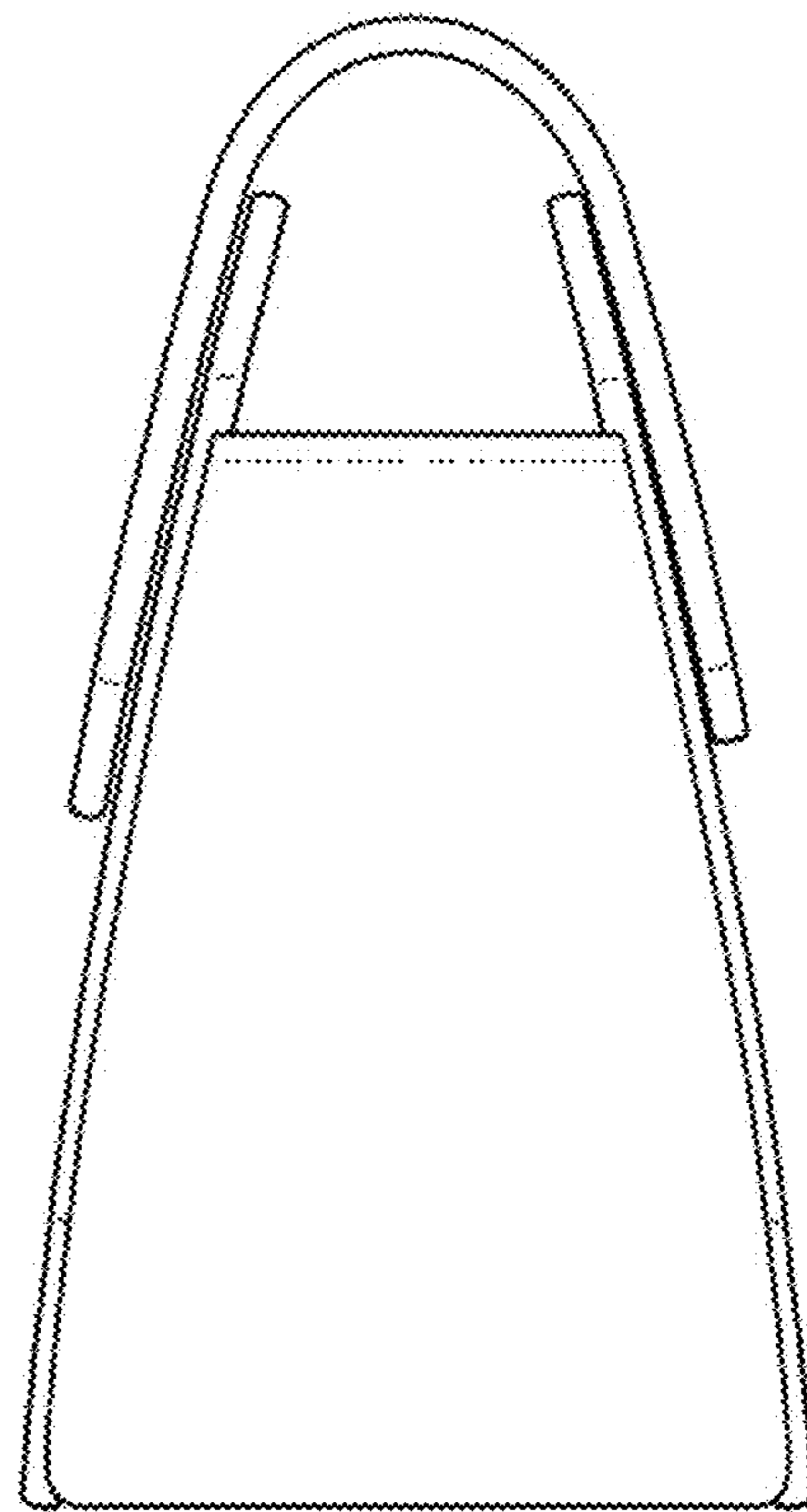
1.2



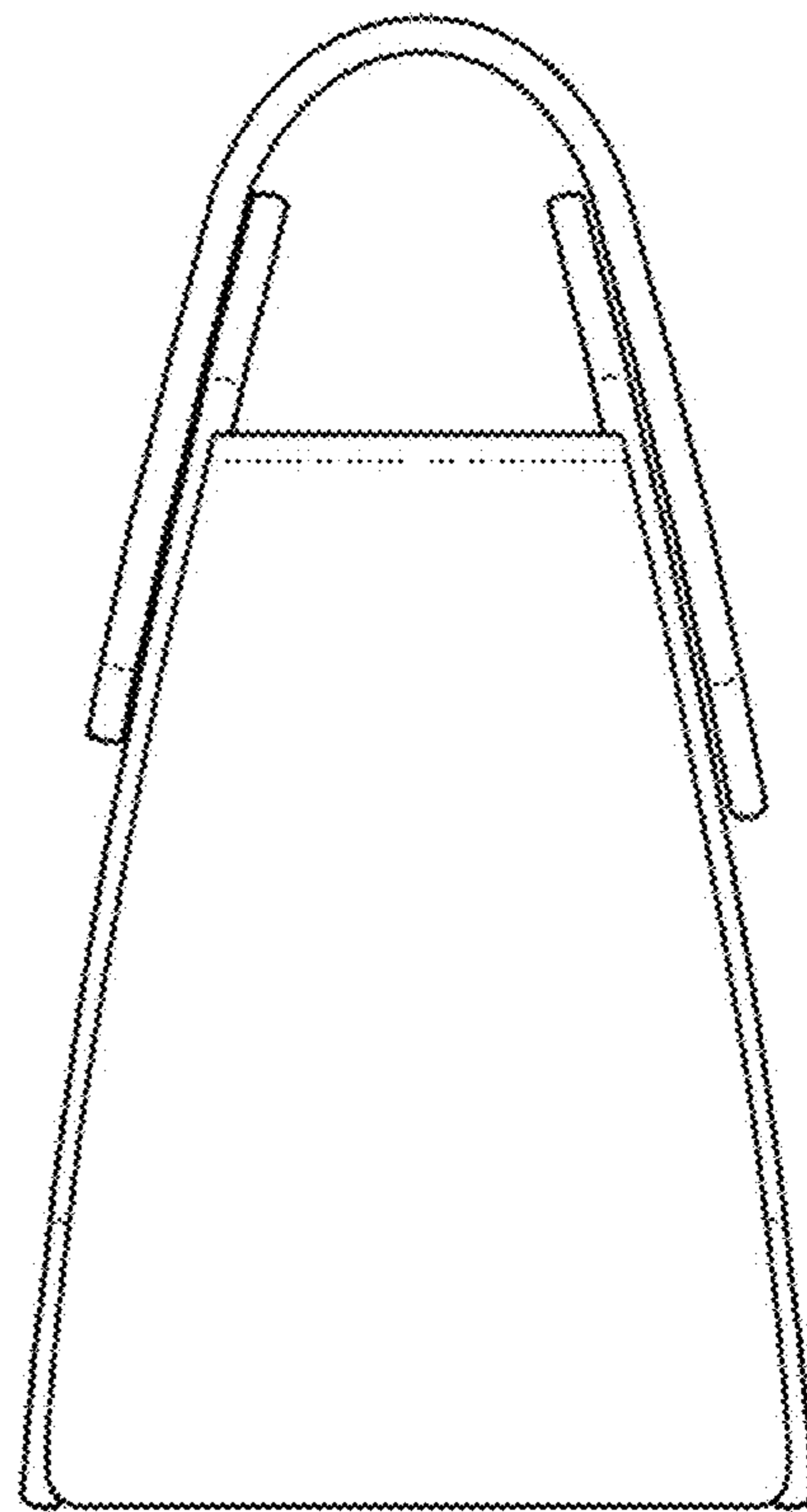
1.3



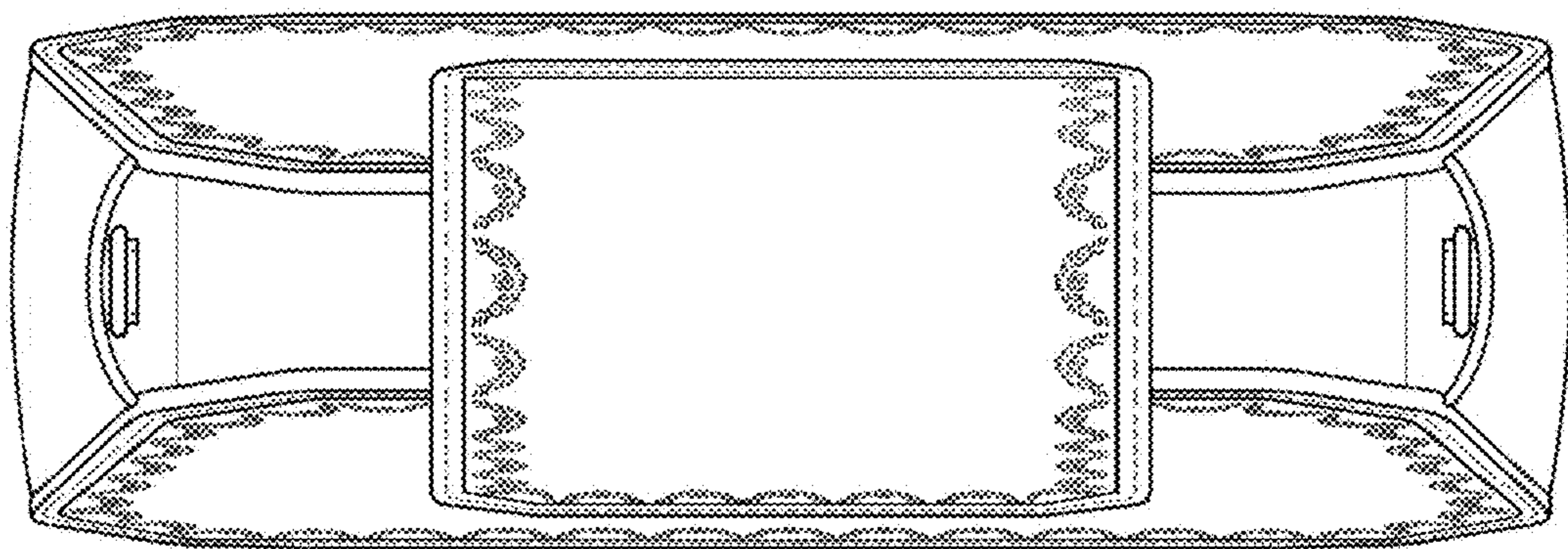
1.4



1.5



1.6



1.7

