



US00D953013S

(12) **United States Design Patent**
Emerson

(10) **Patent No.:** **US D953,013 S**

(45) **Date of Patent:** **** May 31, 2022**

(54) **BEARD GROOMING TRAVEL KIT**

(71) Applicant: **Shane Emerson**, Portsmouth, NH (US)

(72) Inventor: **Shane Emerson**, Portsmouth, NH (US)

(**) Term: **15 Years**

(21) Appl. No.: **29/808,443**

(22) Filed: **Sep. 20, 2021**

(51) **LOC (13) Cl.** **03-01**

(52) **U.S. Cl.**
USPC **D3/205**

(58) **Field of Classification Search**
USPC D3/205
CPC A45D 44/18
See application file for complete search history.

2005/0217690 A1* 10/2005 Morris A45D 44/18
132/313
2011/0020052 A1* 1/2011 Kim A46B 17/04
401/277
2014/0208533 A1* 7/2014 Lim A46B 5/0016
15/144.1
2020/0229574 A1* 7/2020 Penaflor A45D 24/22

* cited by examiner

Primary Examiner — Charles D Hanson

(74) *Attorney, Agent, or Firm* — Anderson Gorecki LLP

(57) **CLAIM**

The ornamental design for a beard grooming travel kit, as shown and described.

(56) **References Cited**

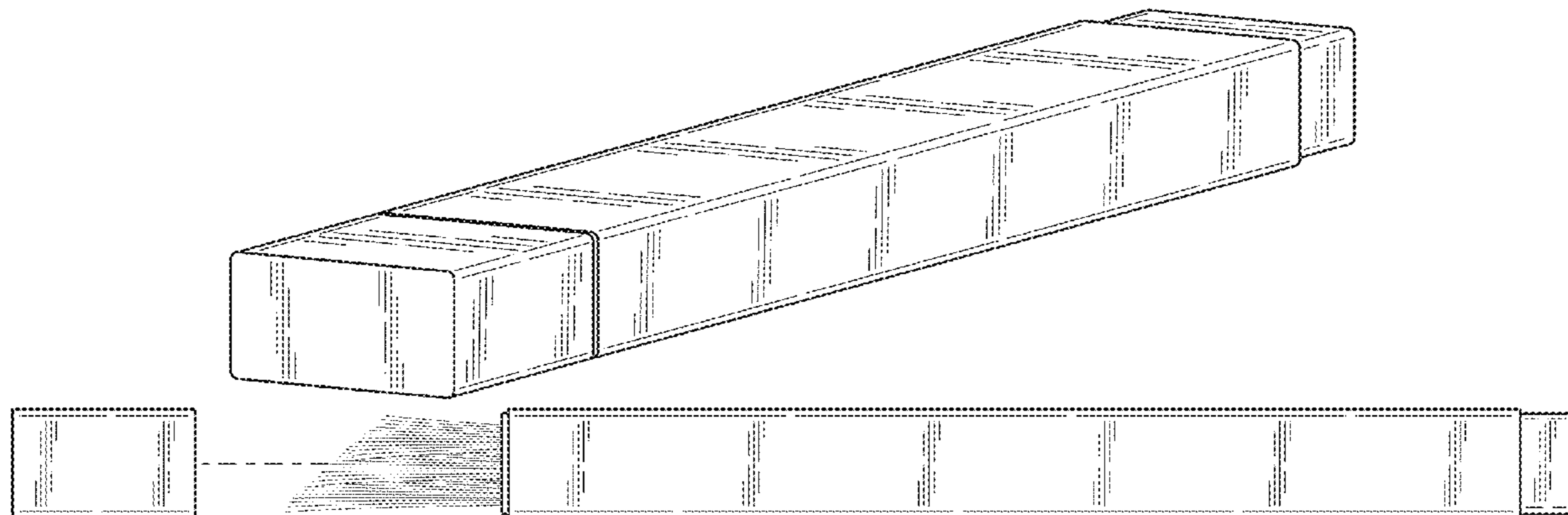
U.S. PATENT DOCUMENTS

2,338,836 A * 1/1944 Chrisman A45D 24/16
132/121
D312,325 S * 11/1990 Brinker D28/25
D398,150 S * 9/1998 Vonarburg D3/205
6,338,406 B1 * 1/2002 Zagar A46B 17/04
206/362.2
D495,137 S * 8/2004 Lee D3/205
D537,244 S * 2/2007 Danechi D3/205
8,127,393 B1 * 3/2012 Dockter A46B 7/023
15/201
D749,856 S * 2/2016 Lee D4/128
D858,085 S * 9/2019 Hoshikawa D3/205

DESCRIPTION

FIG. 1 is a 3D front view of my new design.
FIG. 2 is a 3D rear view of my new design.
FIG. 3 is a front view of a side of my new design.
FIG. 4 is a rear view of my new design.
FIG. 5 is a left side view of my new design.
FIG. 6 is a right side view of my new design.
FIG. 7 is a top view of my new design.
FIG. 8 is a bottom view of my new design.
FIG. 9 is an exploded front view of my new design; and,
FIG. 10 is an exploded 3D rear view of my new design.

1 Claim, 9 Drawing Sheets



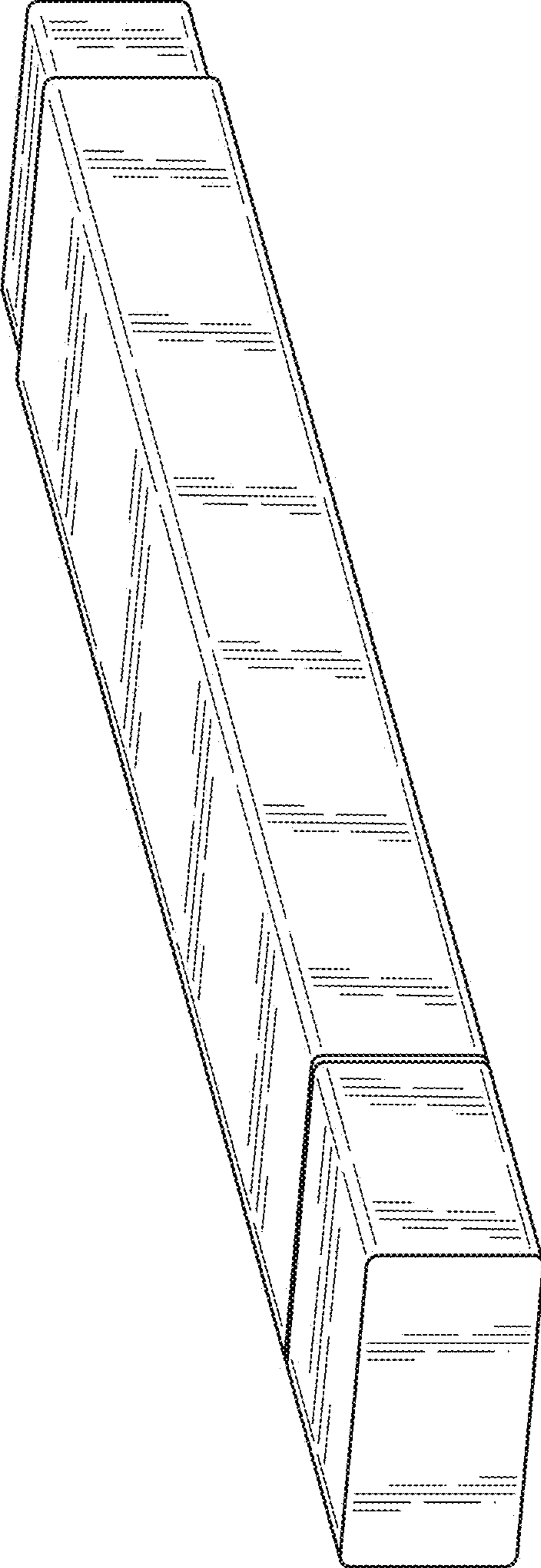


FIG. 1

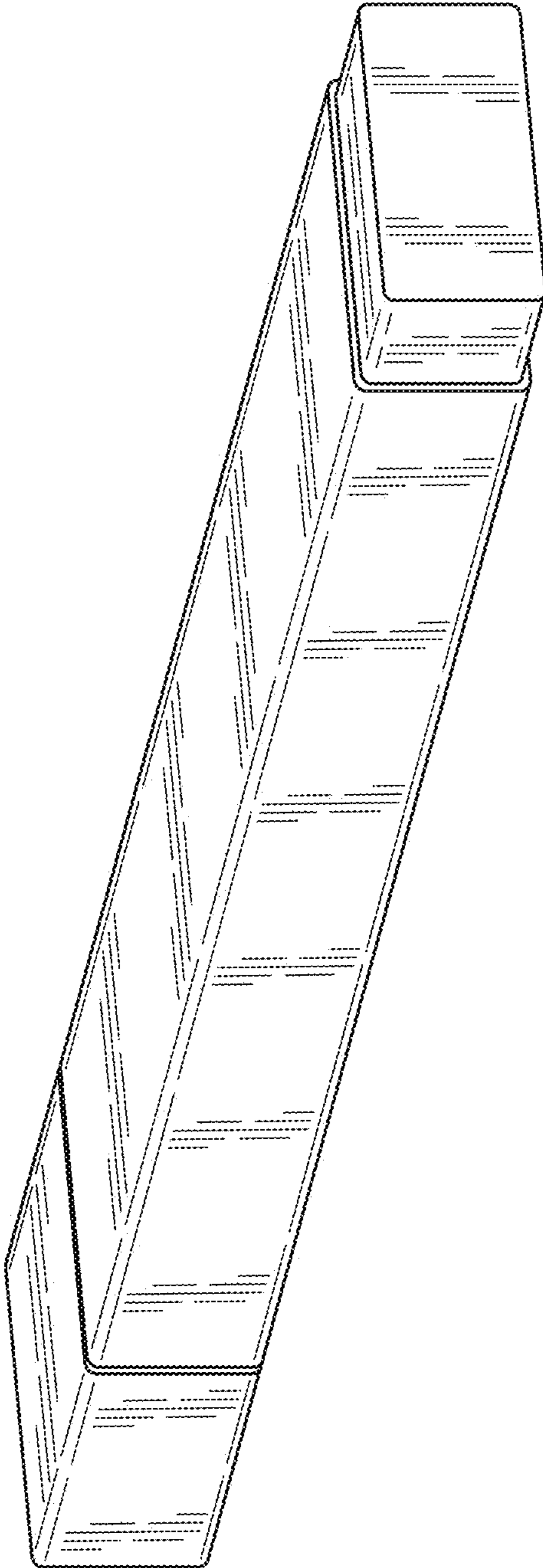


FIG. 2

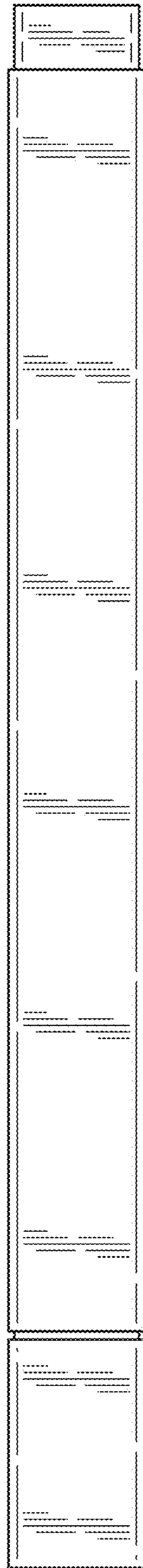


FIG. 3

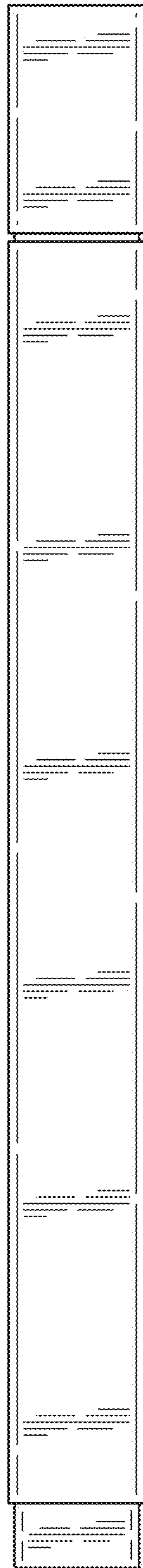


FIG. 4

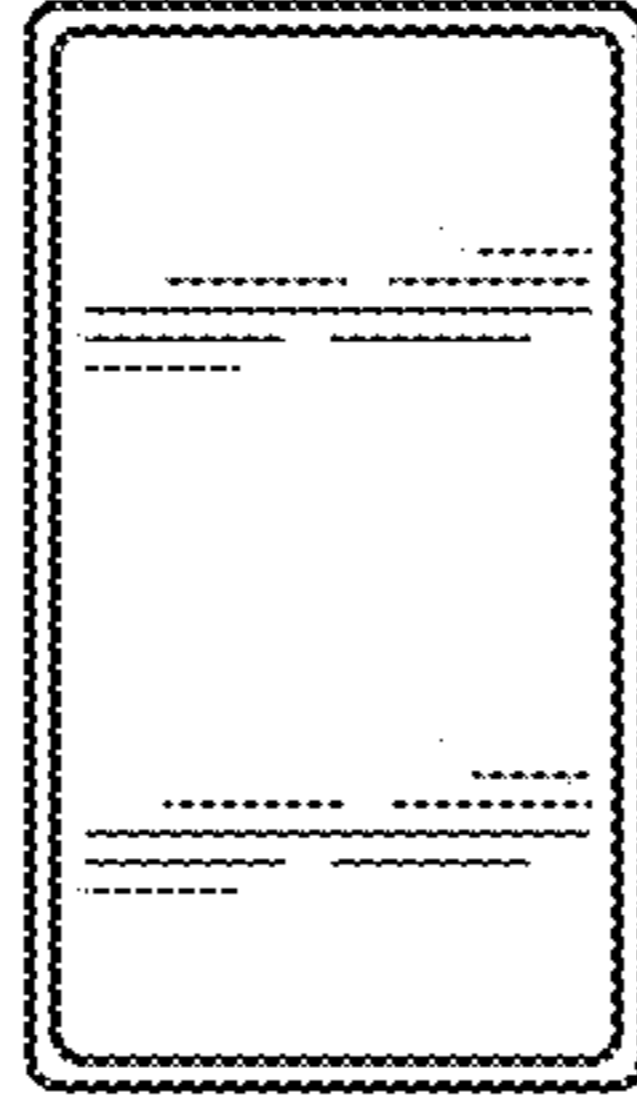


FIG. 6

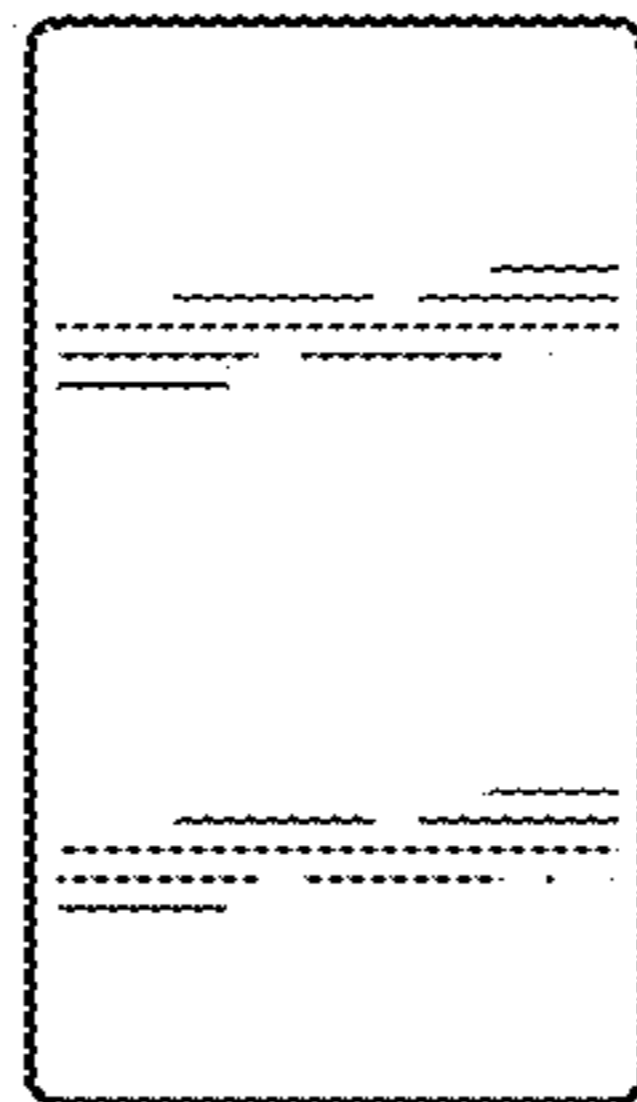


FIG. 5

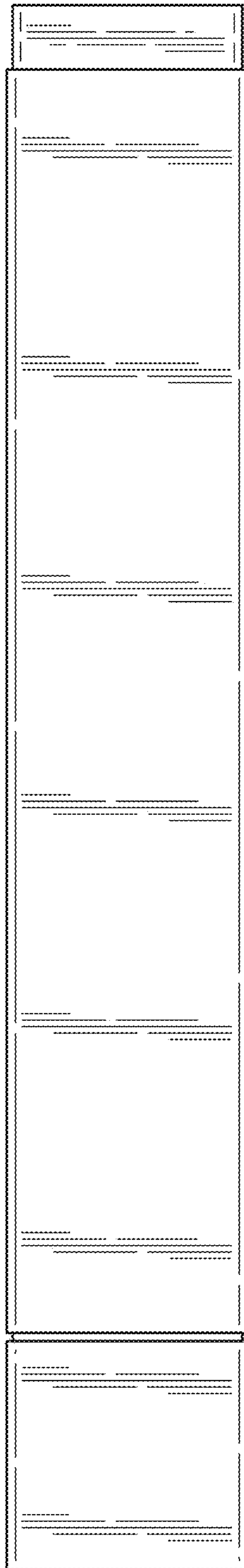


FIG. 7

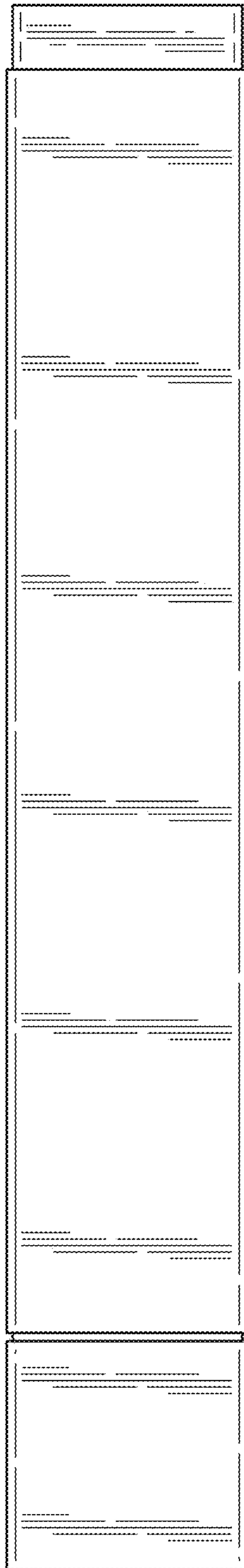


FIG. 8

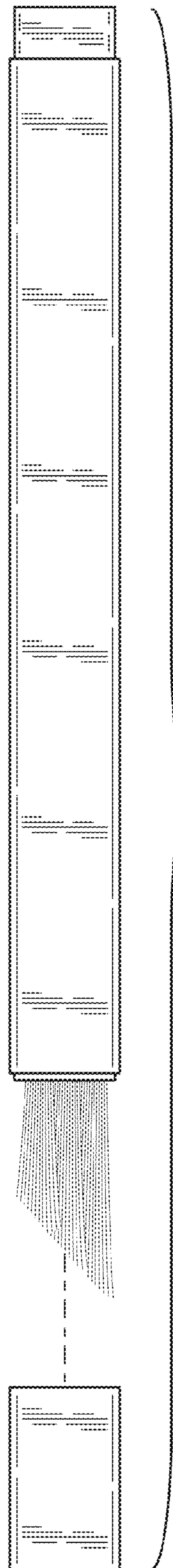


FIG. 9

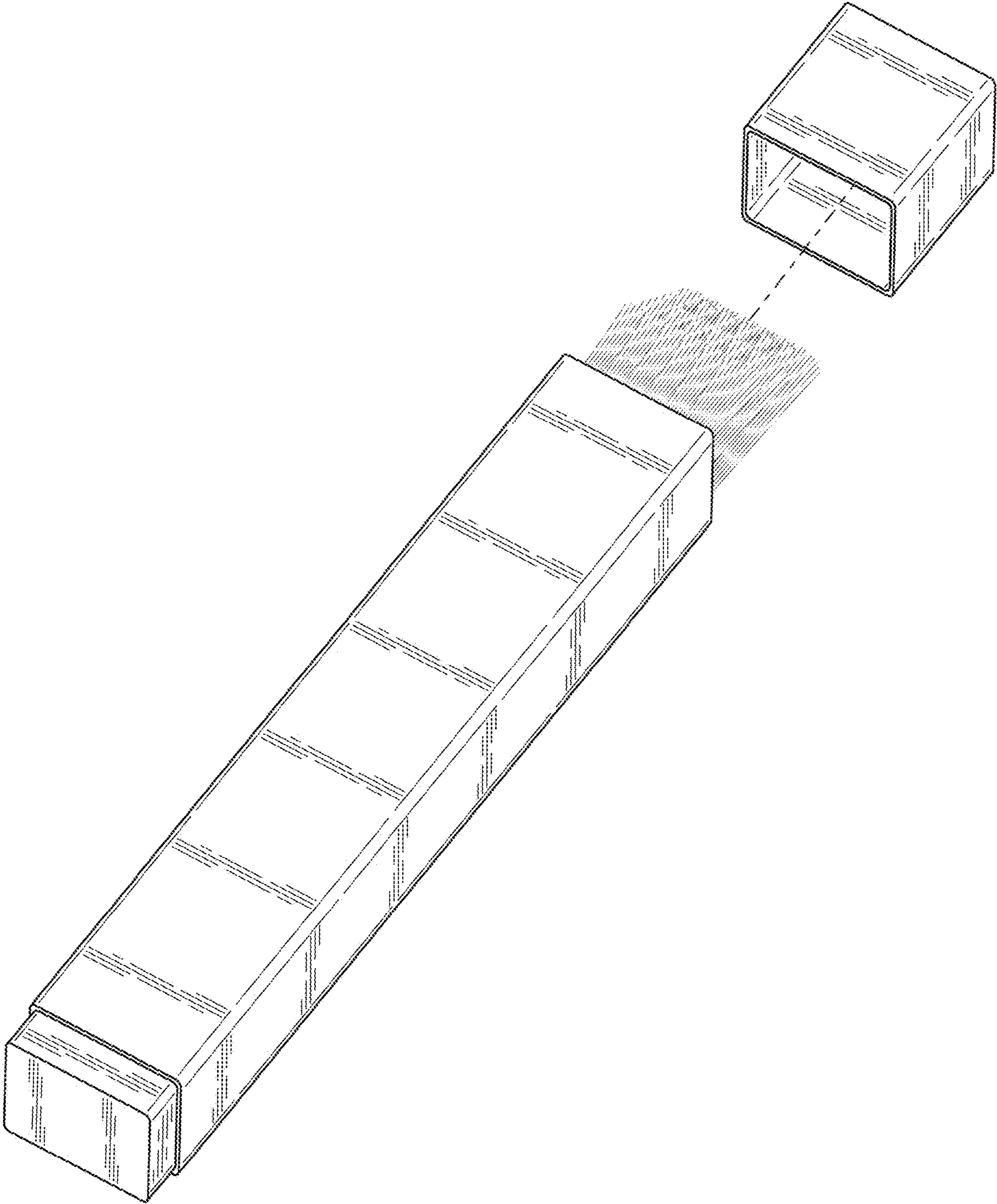


FIG. 10