



US00D953012S

(12) **United States Design Patent**
Emerson

(10) **Patent No.:** **US D953,012 S**

(45) **Date of Patent:** **** May 31, 2022**

(54) **BEARD GROOMING TRAVEL KIT**

(71) Applicant: **Shane Emerson**, Portsmouth, NH (US)

(72) Inventor: **Shane Emerson**, Portsmouth, NH (US)

(**) Term: **15 Years**

(21) Appl. No.: **29/808,442**

(22) Filed: **Sep. 20, 2021**

(51) **LOC (13) Cl.** **03-01**

(52) **U.S. Cl.**
USPC **D3/205**

(58) **Field of Classification Search**
USPC D3/205
CPC A45D 44/18
See application file for complete search history.

(56) **References Cited**

U.S. PATENT DOCUMENTS

2,338,836	A *	1/1944	Chrisman	A45D 24/16 132/121
D312,325	S *	11/1990	Brinker	D28/25
D398,150	S *	9/1998	Vonarburg	D3/205
6,338,406	B1 *	1/2002	Zagar	A46B 17/04 206/362.2
D495,137	S *	8/2004	Lee	D3/205
D537,244	S *	2/2007	Danechi	D3/205
8,127,393	B1 *	3/2012	Dockter	A46B 7/023 15/201
D749,856	S *	2/2016	Lee	D4/128
D858,085	S *	9/2019	Hoshikawa	D3/205

2005/0217690	A1 *	10/2005	Morris	A45D 44/18 132/313
2011/0020052	A1 *	1/2011	Kim	A46B 17/04 401/277
2014/0208533	A1 *	7/2014	Lim	A46B 5/0016 15/144.1
2020/0229574	A1 *	7/2020	Penaflo	A45D 24/22

* cited by examiner

Primary Examiner — Charles D Hanson

(74) *Attorney, Agent, or Firm* — Anderson Gorecki LLP

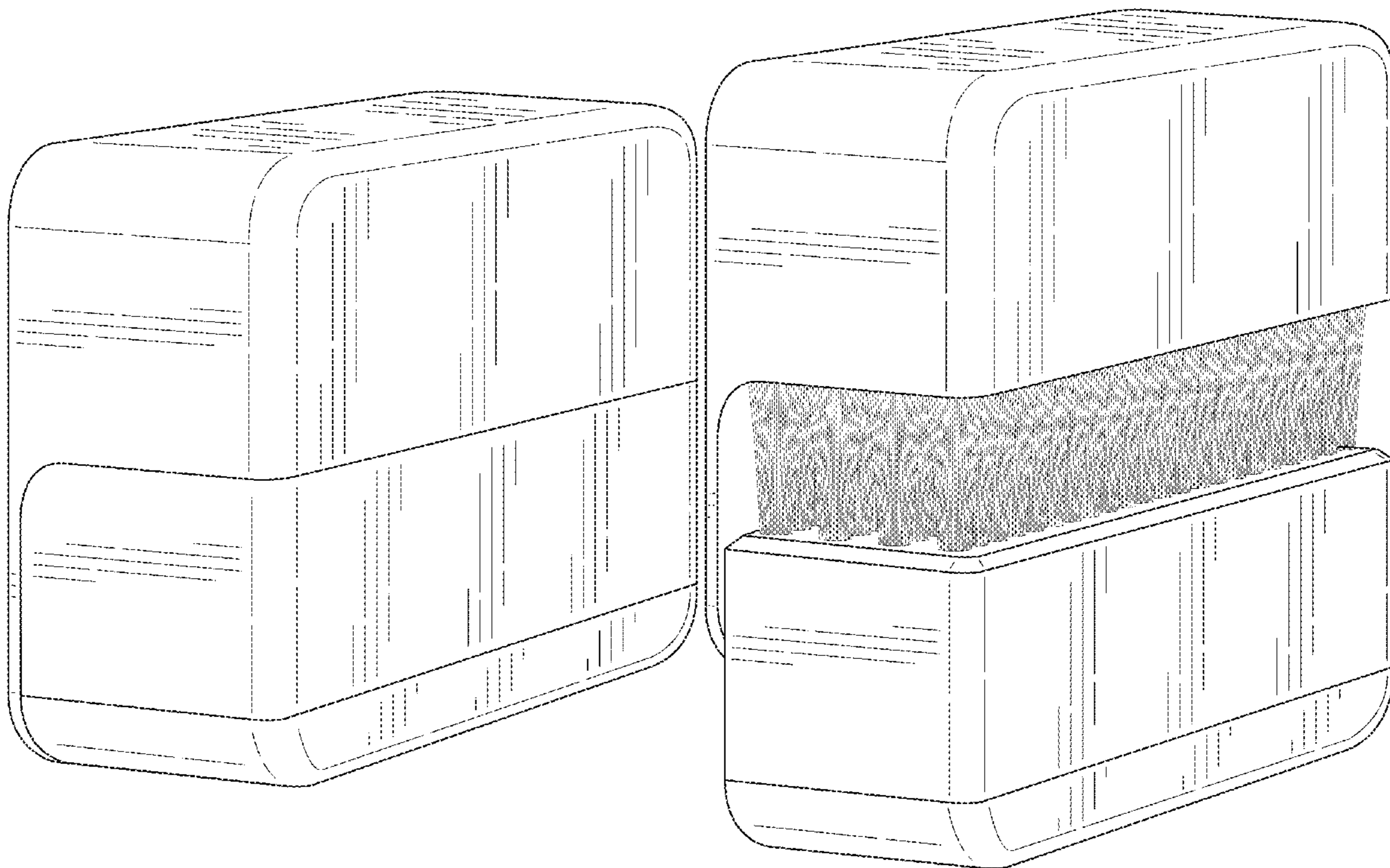
(57) **CLAIM**

The ornamental design for a beard grooming travel kit, as shown and described.

DESCRIPTION

FIG. 1 is a 3D view of my new design.
FIG. 2 is a front view of my new design.
FIG. 3 is a rear view of my new design.
FIG. 4 is a right side view of my new design.
FIG. 5 is a left side view of my new design.
FIG. 6 is a top view of my new design.
FIG. 7 is a bottom view of my new design.
FIG. 8 is a partial exploded view of my new design; and,
FIG. 9 is a full exploded view of my new design in a first partly open state.

1 Claim, 9 Drawing Sheets



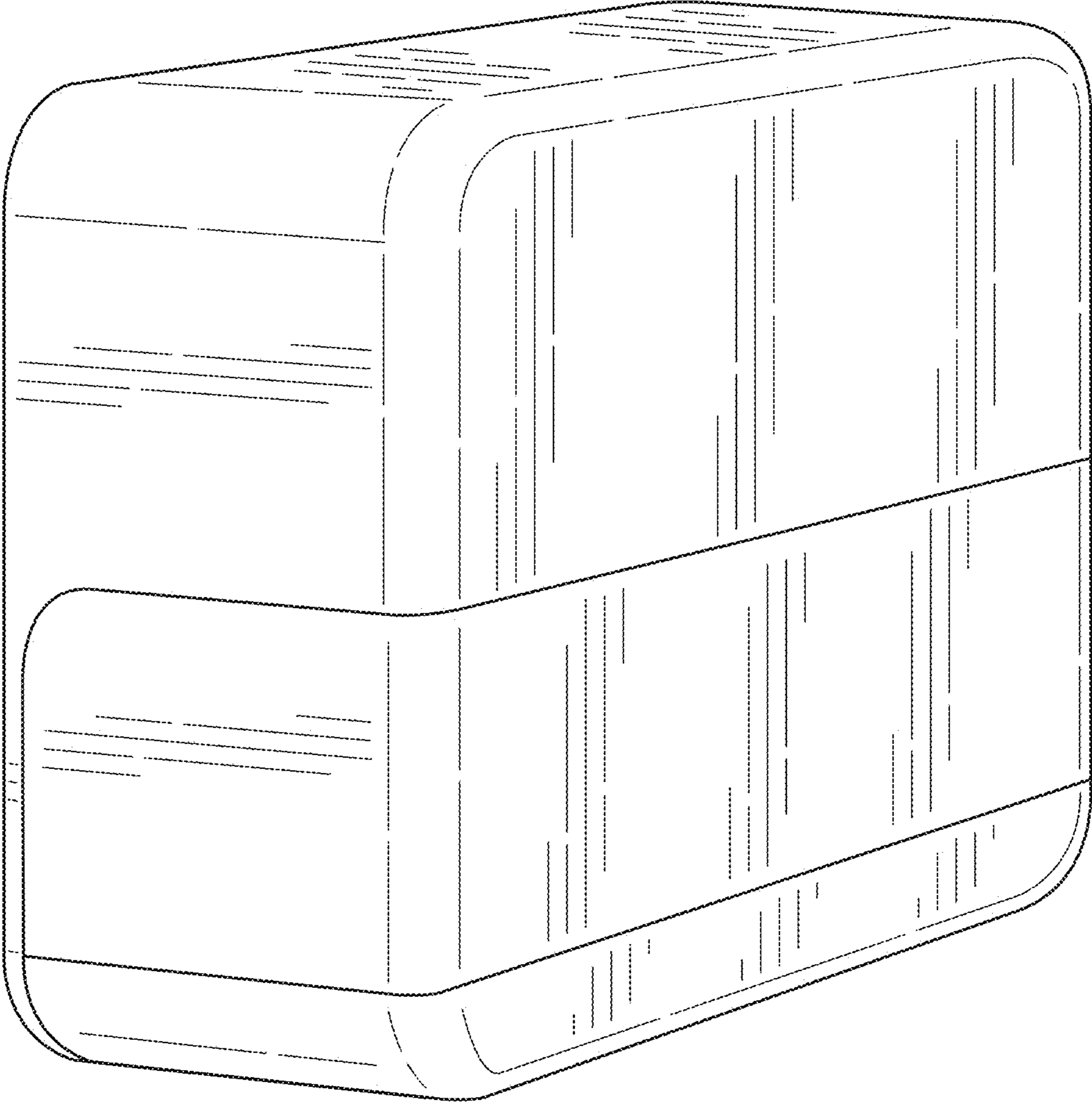


FIG. 1

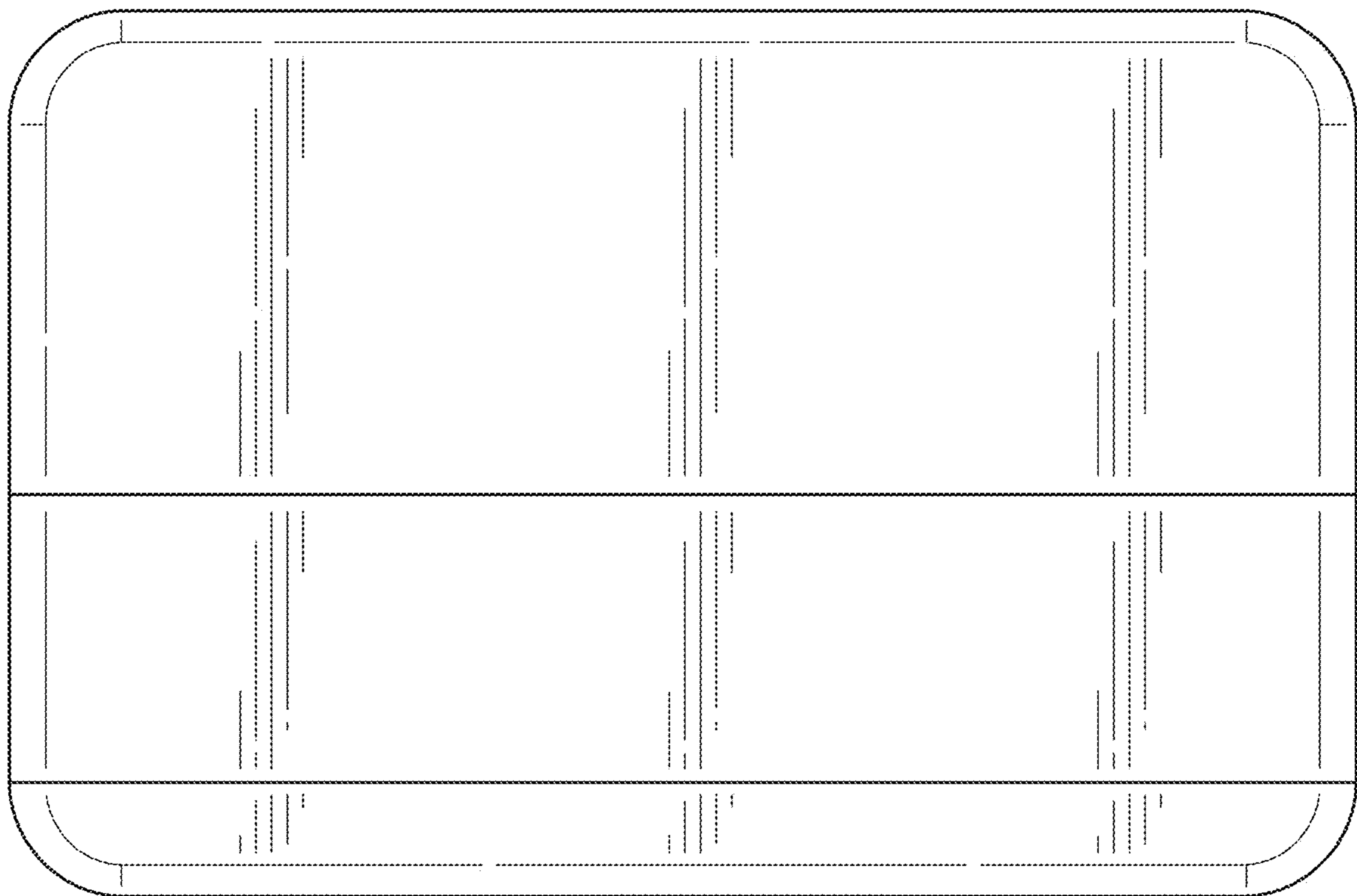


FIG. 2

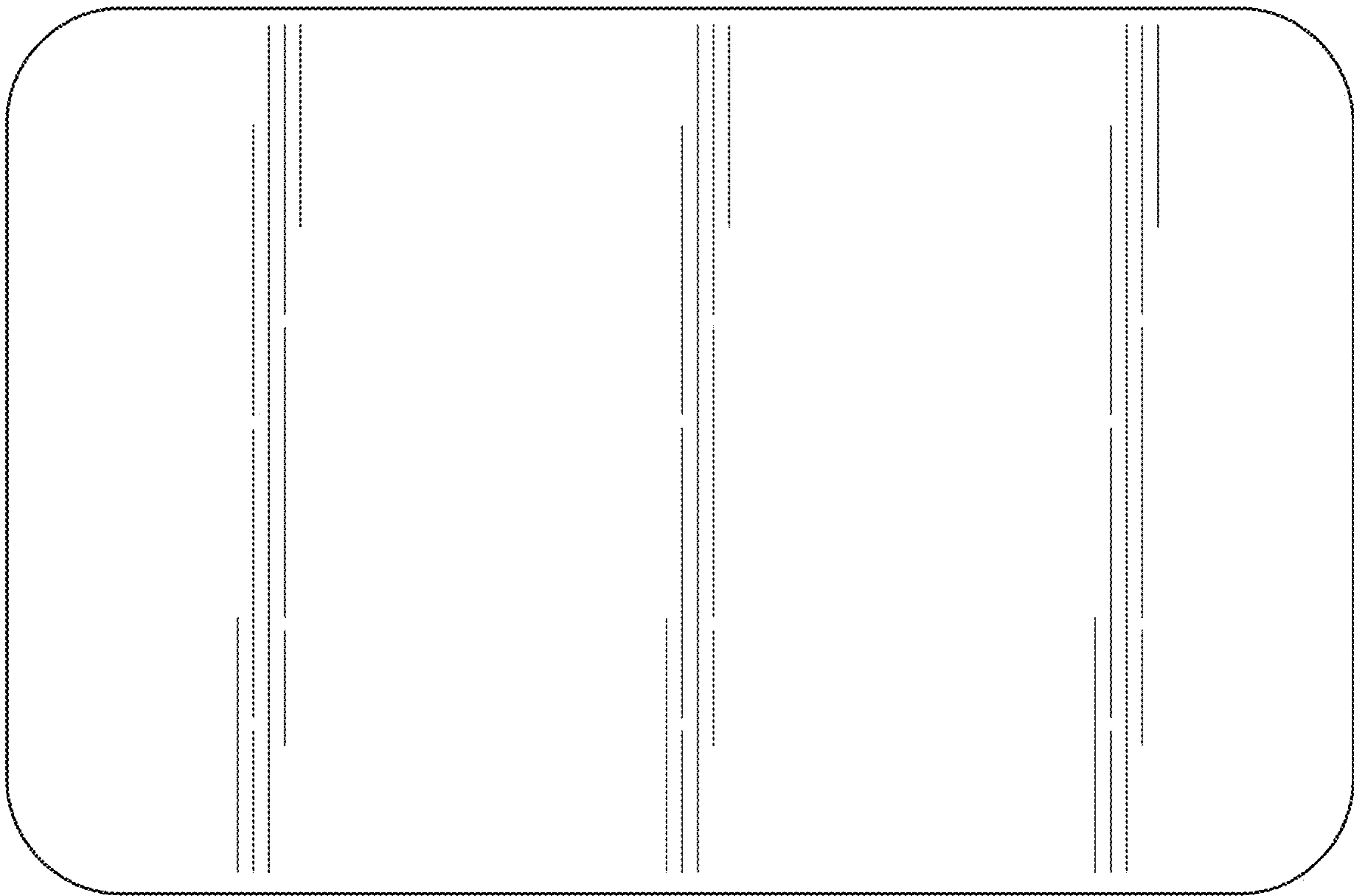


FIG. 3

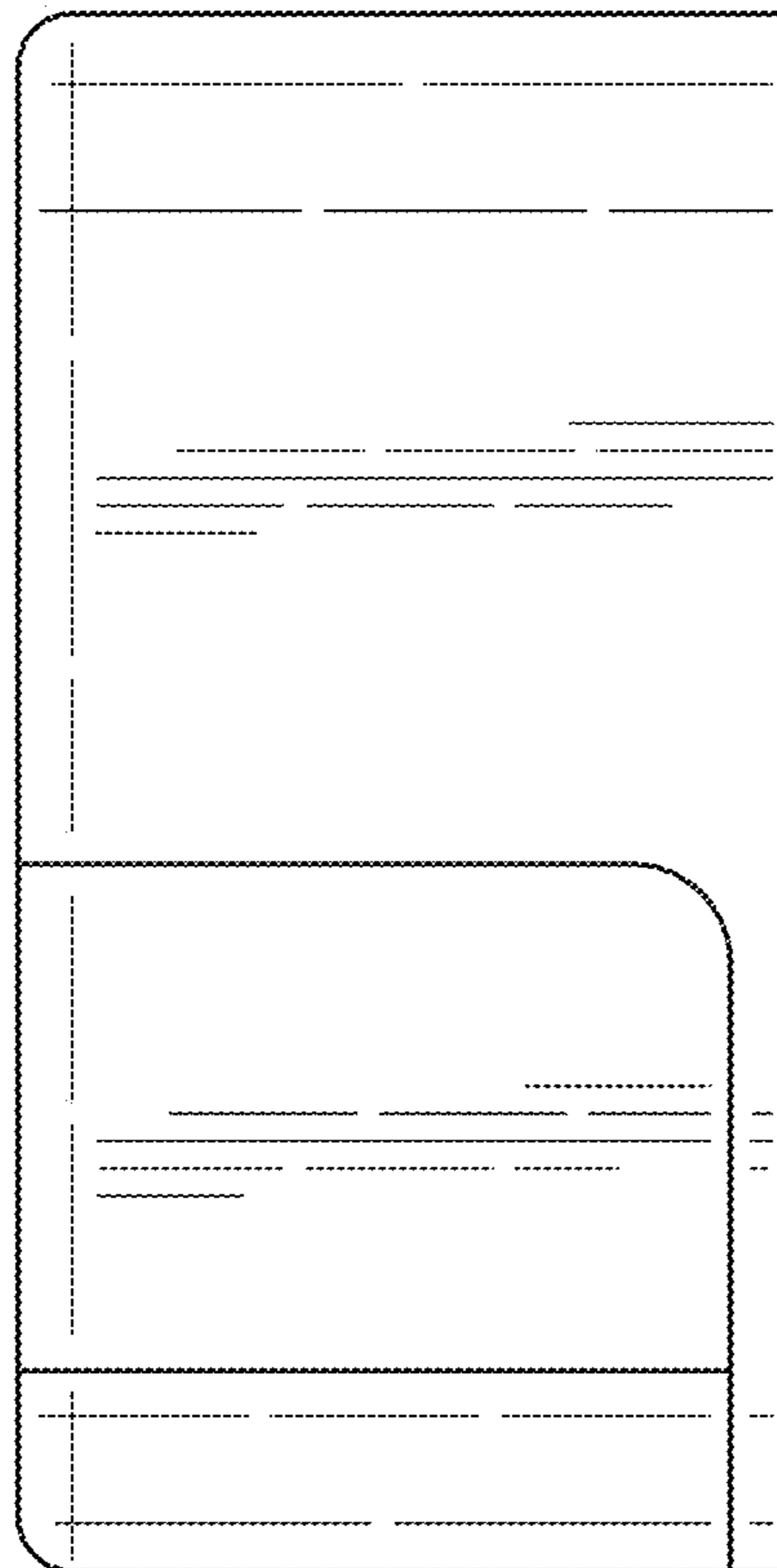


FIG. 4

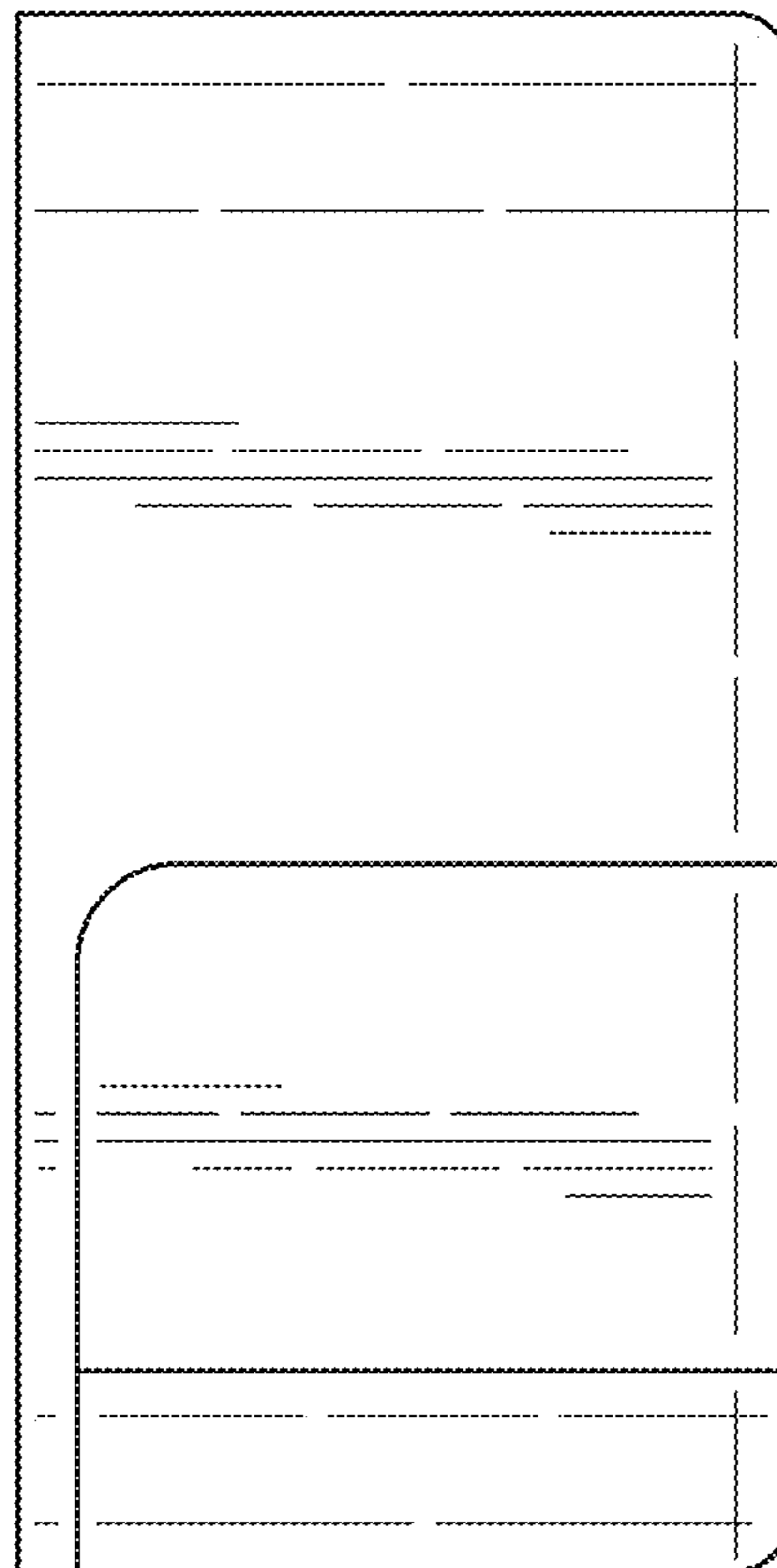


FIG. 5

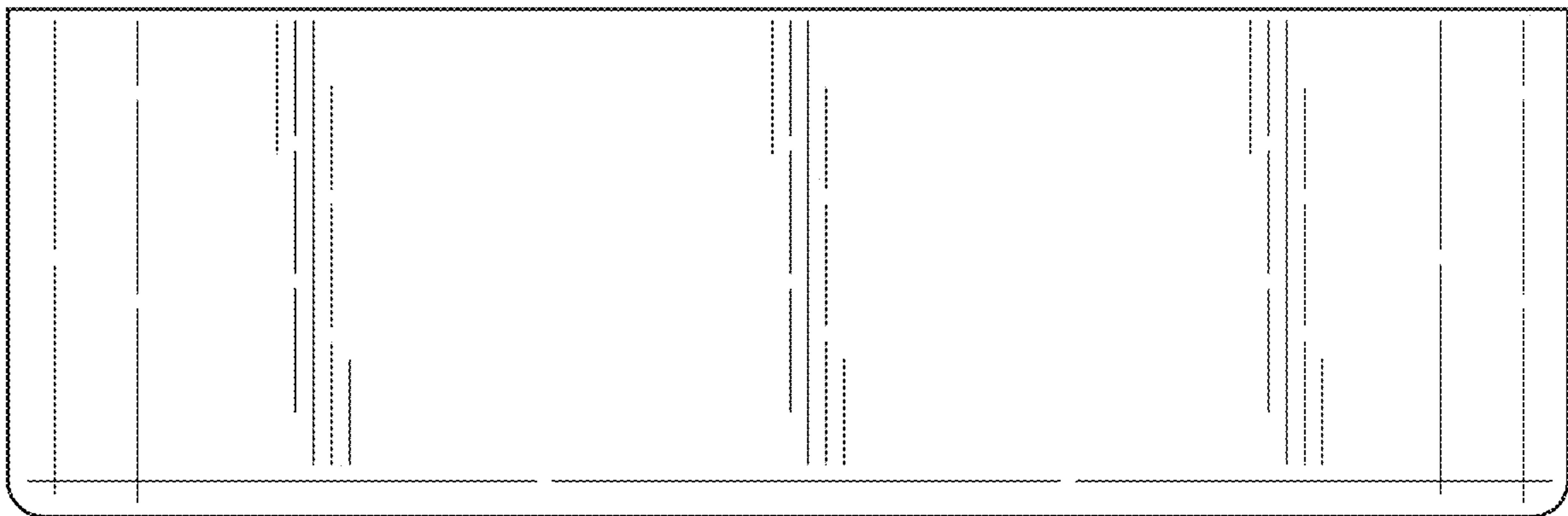


FIG. 6

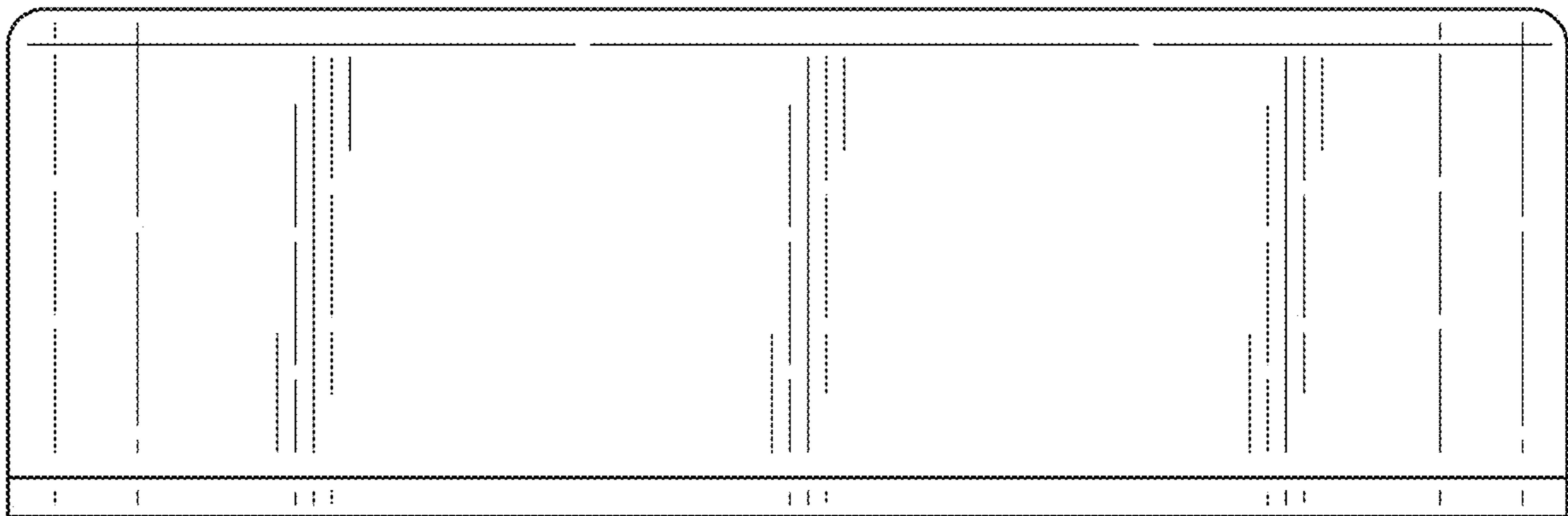


FIG. 7

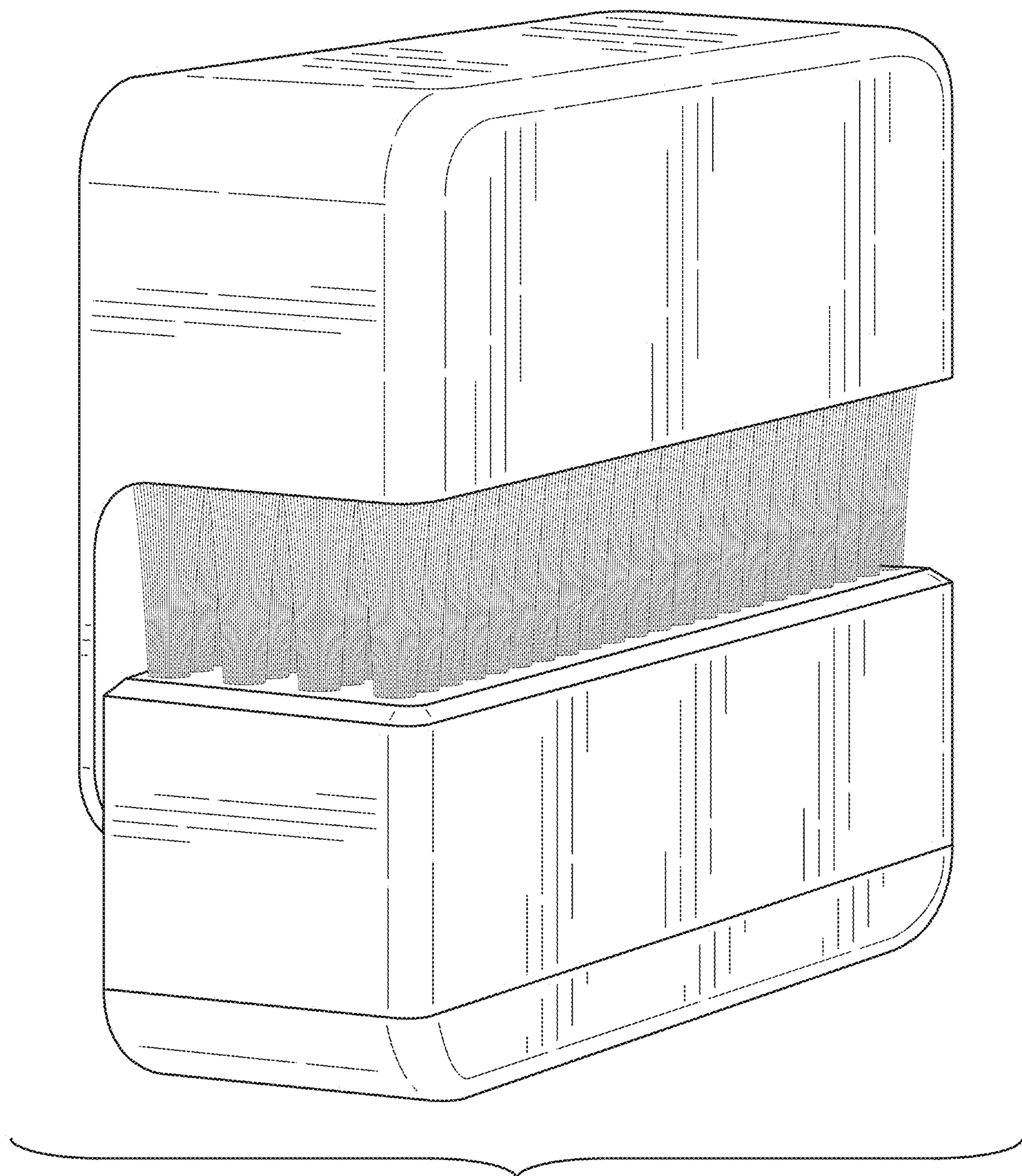


FIG. 8

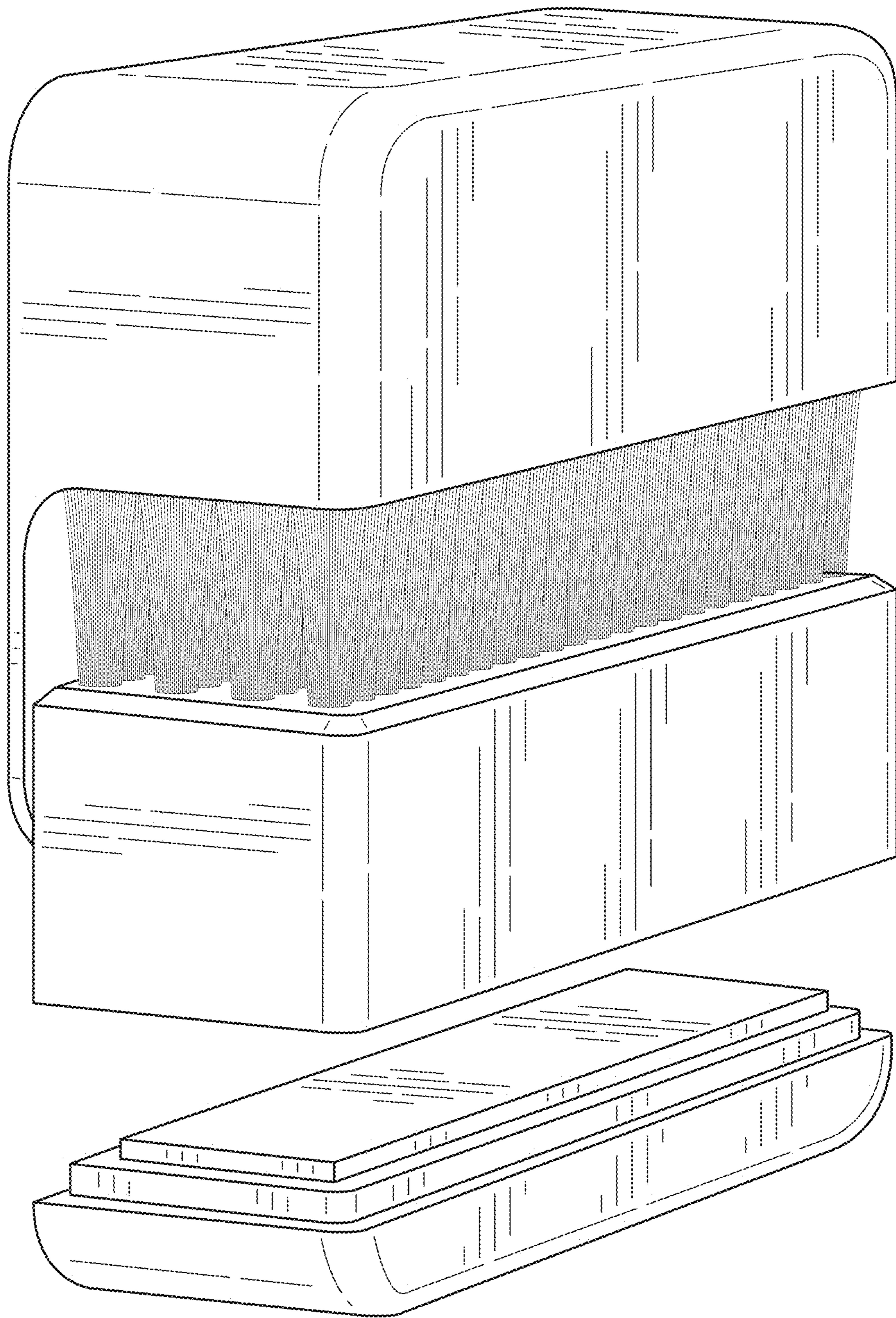


FIG. 9