



US00D953011S

(12) **United States Design Patent** (10) **Patent No.:** **US D953,011 S**
Hood (45) **Date of Patent:** **** May 31, 2022**

(54) **DENTAL RETAINER CASE**
(71) Applicant: **ClearCorrect Operating, LLC**, Round Rock, TX (US)
(72) Inventor: **David Hood**, Round Rock, TX (US)
(**) Term: **15 Years**
(21) Appl. No.: **35/509,927**

D373,954 S * 9/1996 Wolff D3/302
D379,512 S * 5/1997 Dieken D24/134
D403,065 S * 12/1998 Dieken D24/134
D410,285 S * 5/1999 Packard D24/134
D425,295 S * 5/2000 Borja D3/203.1
D468,199 S * 1/2003 Lambelet, Jr. D9/423
6,520,334 B1 * 2/2003 Hoover A45C 11/00
206/38
D475,618 S * 6/2003 Barnes D9/414
D476,572 S * 7/2003 Merritt D28/82
D480,864 S * 10/2003 Sayers D3/203.1

(Continued)

(22) Filed: **May 7, 2020**

(80) **Hague Agreement Data**

Int. Filing Date: **May 7, 2020**
Int. Reg. No.: **DM/209410**
Int. Reg. Date: **May 7, 2020**
Int. Reg. Pub. Date: **Jul. 31, 2020**

(51) **LOC (13) Cl.** **03-01**
(52) **U.S. Cl.**
USPC **D3/203.1**
CPC **B65D 5/66 (2013.01)**

(58) **Field of Classification Search**
USPC D3/201, 203.1, 205, 273, 294; D9/414, D9/424, 425, 426, 428; D28/78, 82, 88
CPC B65D 5/0085; B65D 5/66; B65D 11/00; B65D 11/18; B65D 43/162; B65D 77/006; B65D 51/04; B65D 2251/10; A61C 7/00; A45D 44/20
See application file for complete search history.

(56) **References Cited**

U.S. PATENT DOCUMENTS

D256,951 S * 9/1980 Allen D13/101
D257,790 S * 1/1981 Kesling D24/227
D277,890 S * 3/1985 Loughridge D24/134
4,966,319 A * 10/1990 Fleming A45C 11/00
206/459.5
D323,394 S * 1/1992 Casto D24/134
D337,381 S * 7/1993 Dufresne D24/134
D338,269 S * 8/1993 Dufresne D24/134
D367,878 S * 3/1996 Lee D18/17
D373,824 S * 9/1996 Packard D24/134

OTHER PUBLICATIONS

Invisalign Aligner and Retainer Case, Amazon.com (Year: 2021).*

Primary Examiner — Richard E Chilcot

(57) **CLAIM**

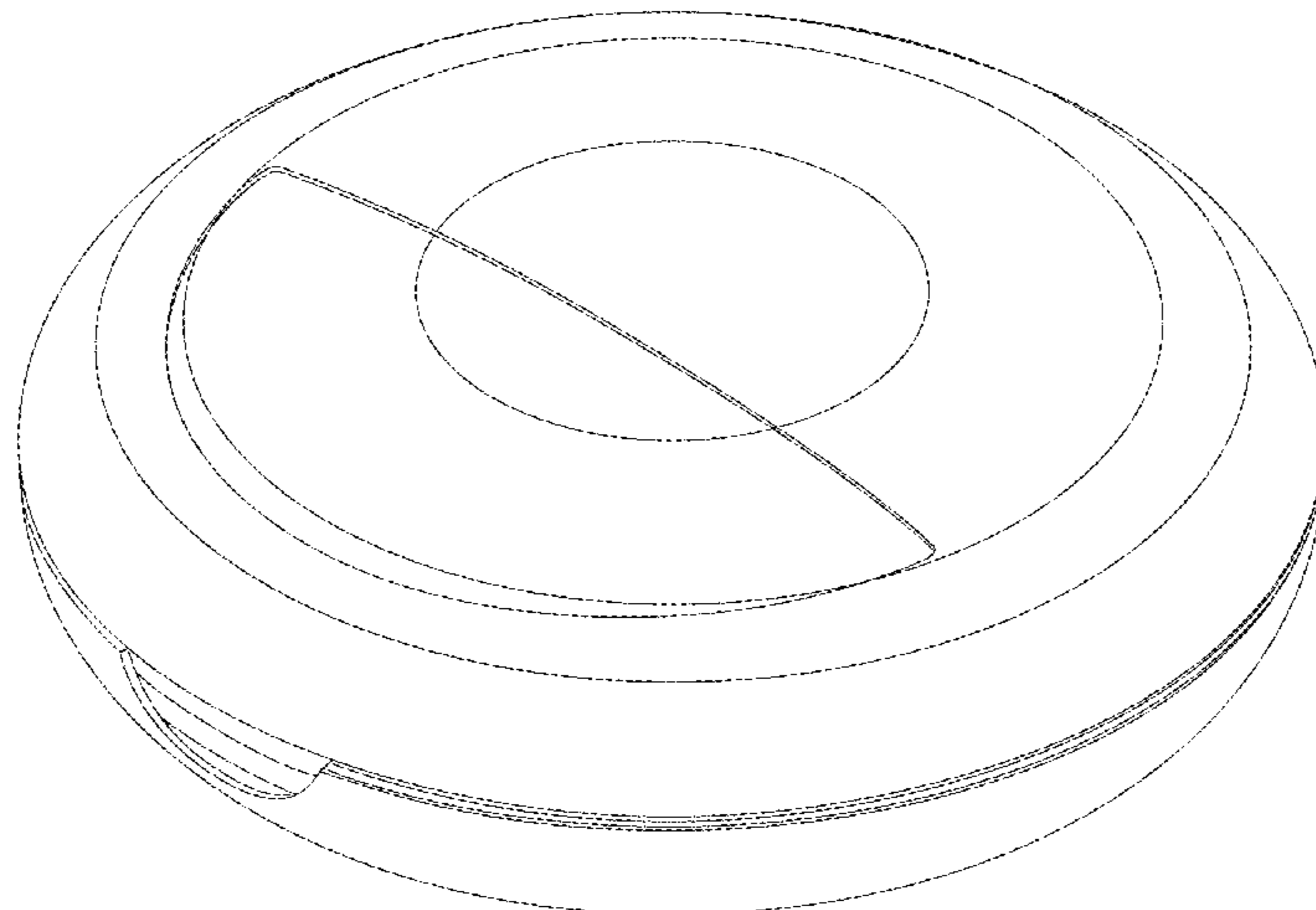
The ornamental design for a dental retainer case, as shown and described.

DESCRIPTION

- 1. Dental retainer case
- 1.1 : Perspective
- 1.2 : Top
- 1.3 : Back
- 1.4 : Right
- 1.5 : Left
- 1.6 : Bottom
- 1.7 : Front

FIG. 1.1 is a perspective view of a dental retainer case according to the embodiment of the design; FIG. 1.2 is a side view of a dental retainer case according to the embodiment of the design; FIG. 1.3 is another side view of a dental retainer case according to the embodiment of the design; FIG. 1.4 is a front view of a dental retainer case according to the embodiment of the design; FIG. 1.5 is a rear view of a dental retainer case according to the embodiment of the design; FIG. 1.6 is a top view of a dental retainer case

(Continued)



according to the embodiment of the design; FIG. 1.7 is a bottom view of a dental retainer case according to the embodiment of the design.

1 Claim, 7 Drawing Sheets

(56) **References Cited**

U.S. PATENT DOCUMENTS

D483,559 S *	12/2003	Eldon, III	D3/203.1
D484,795 S *	1/2004	Barnes	D9/414
D488,928 S *	4/2004	Foley	D3/283
D502,807 S *	3/2005	Jaron	D3/273
D521,722 S *	5/2006	Lesniak	D3/205
D522,233 S *	6/2006	Lesniak	D3/205
D523,750 S *	6/2006	Lee	D28/82
D534,423 S *	1/2007	Tanner	D9/426
D540,038 S *	4/2007	Hussaini	D3/201
D543,691 S *	6/2007	Payne	D3/203.1
D561,470 S *	2/2008	Jalet	D3/294
D634,115 S *	3/2011	Long, Jr.	D3/201
D636,598 S *	4/2011	Tseng	D3/294
D641,164 S *	7/2011	Cornu	D3/294
D655,079 S *	3/2012	Patenaude	D3/203.1
D674,181 S *	1/2013	Faulkner	D3/203.1
D697,302 S *	1/2014	Pourcho	D3/203.1
D707,446 S *	6/2014	Svahn	D3/273
D750,241 S *	2/2016	Shan	D24/134
D788,926 S *	6/2017	Parlante	D24/176
D839,583 S *	2/2019	Cao	D3/201
10,273,037 B2 *	4/2019	Pan	B65D 43/0214
D883,654 S *	5/2020	Cain	D3/203.1
D890,511 S *	7/2020	Dericco	D3/203.1

* cited by examiner

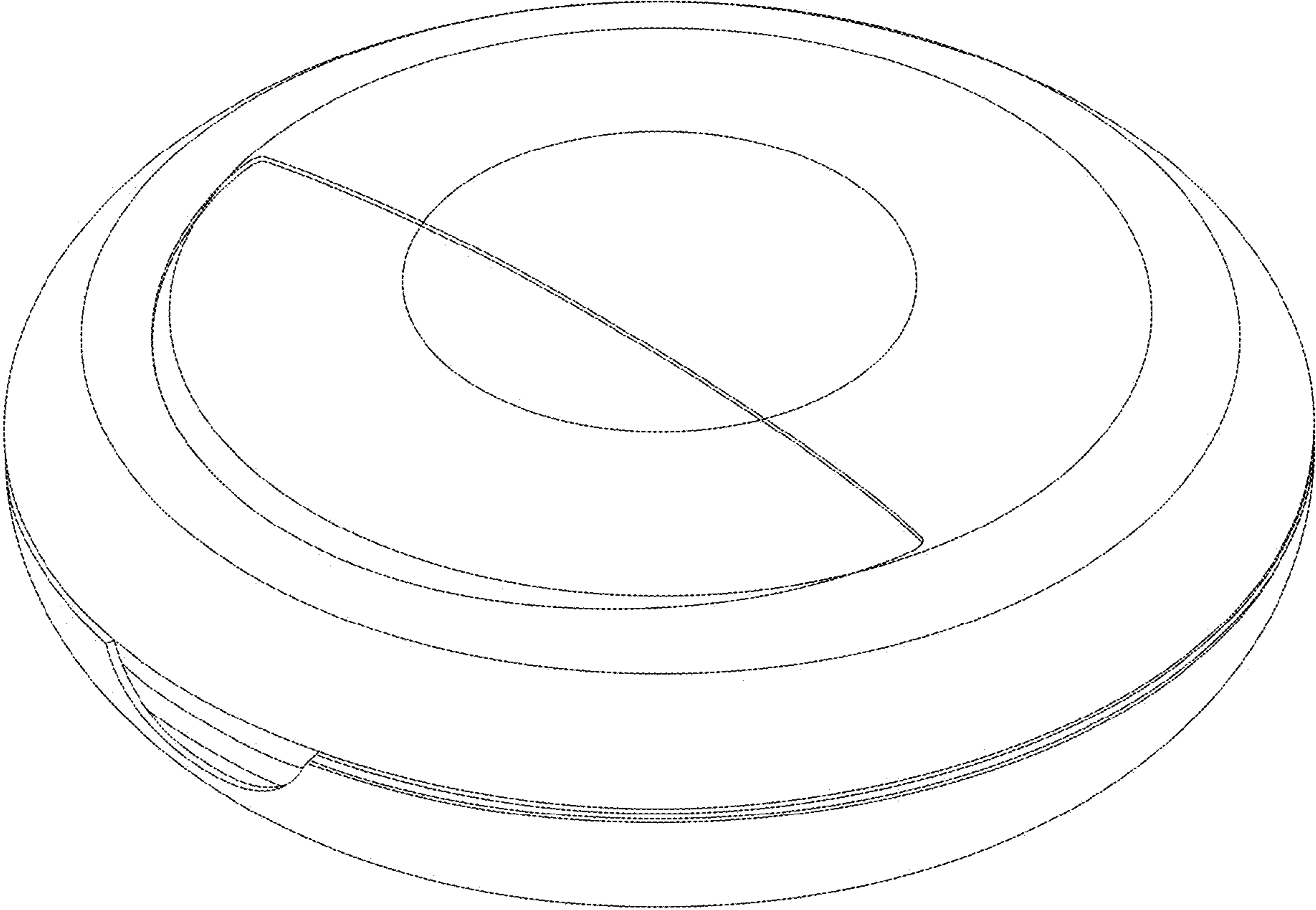


FIG. 1.1

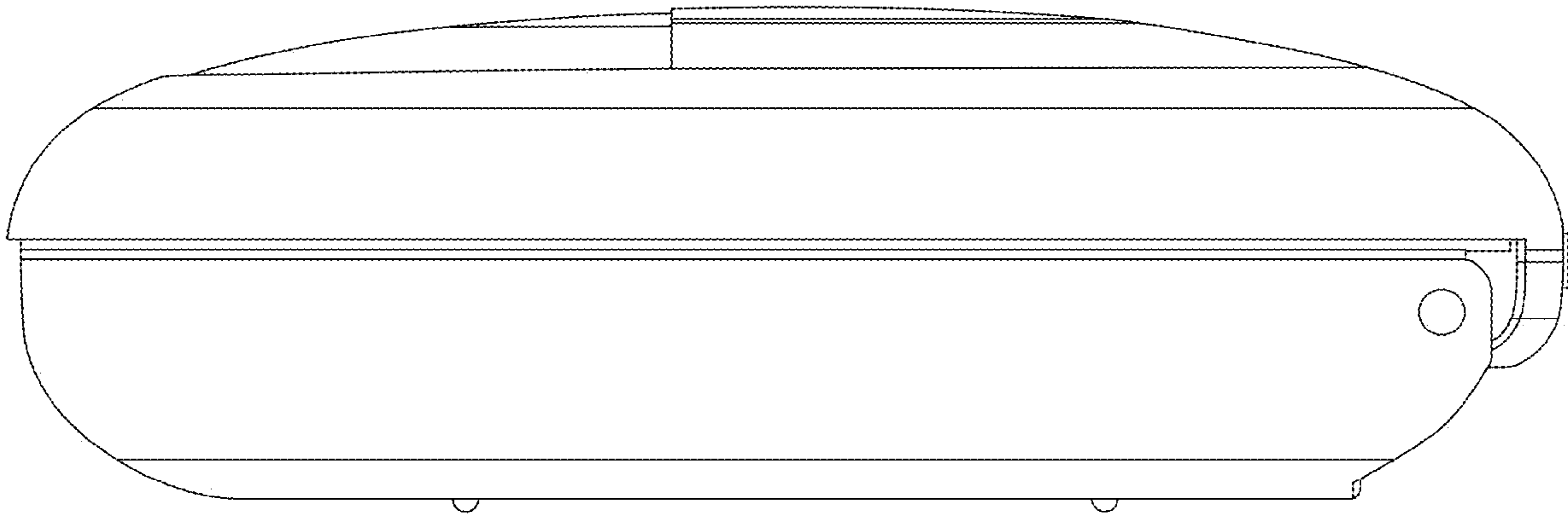


FIG. 1.2

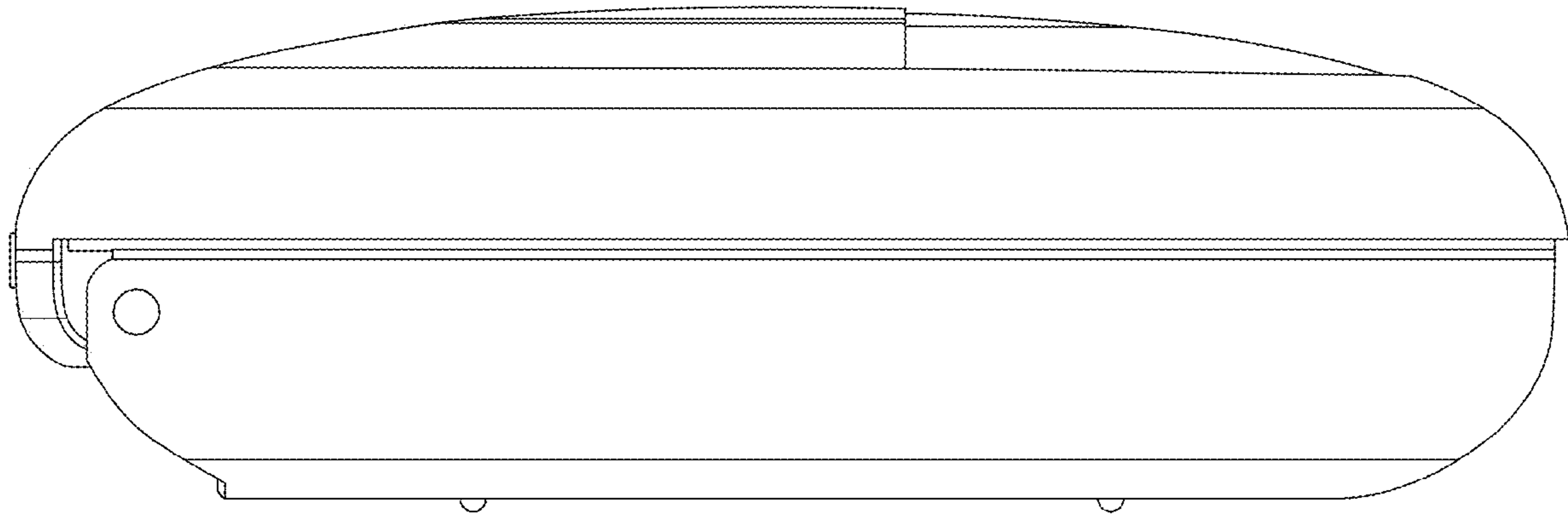


FIG. 1.3

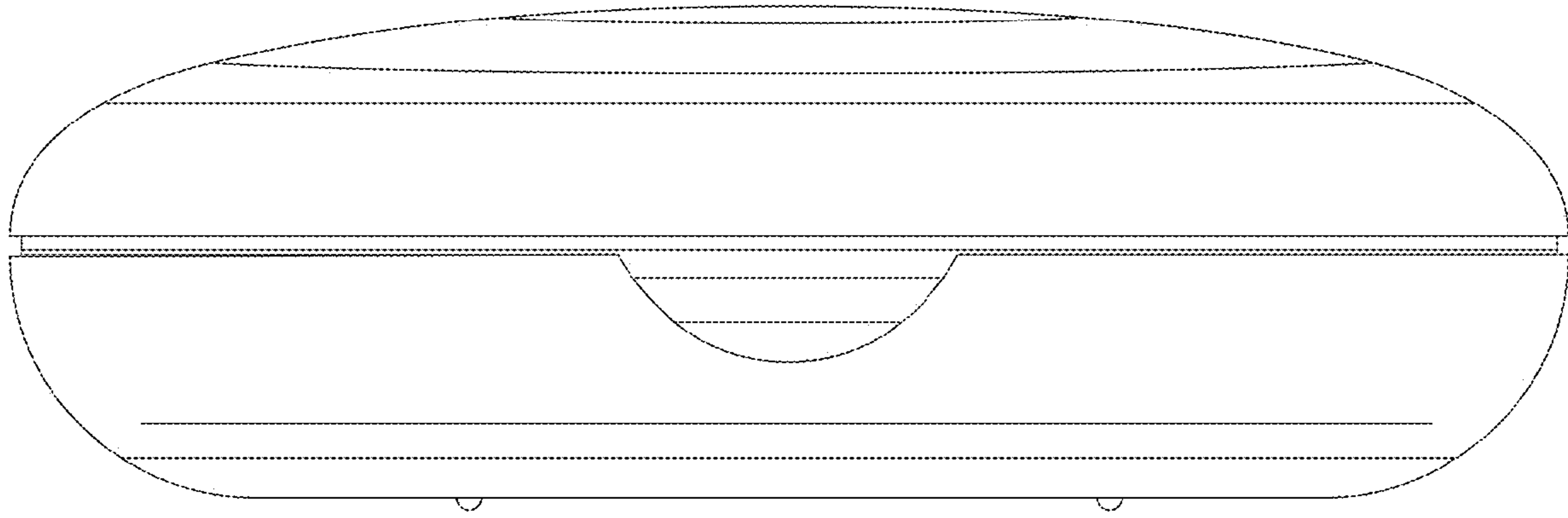


FIG. 1.4

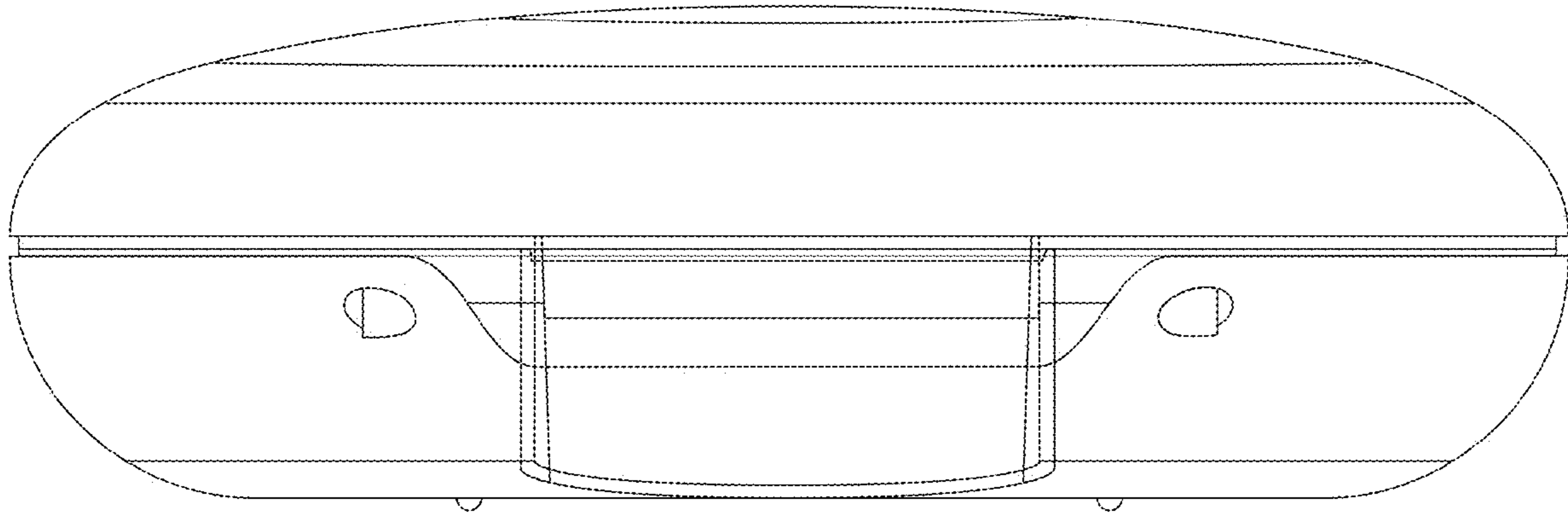


FIG. 1.5

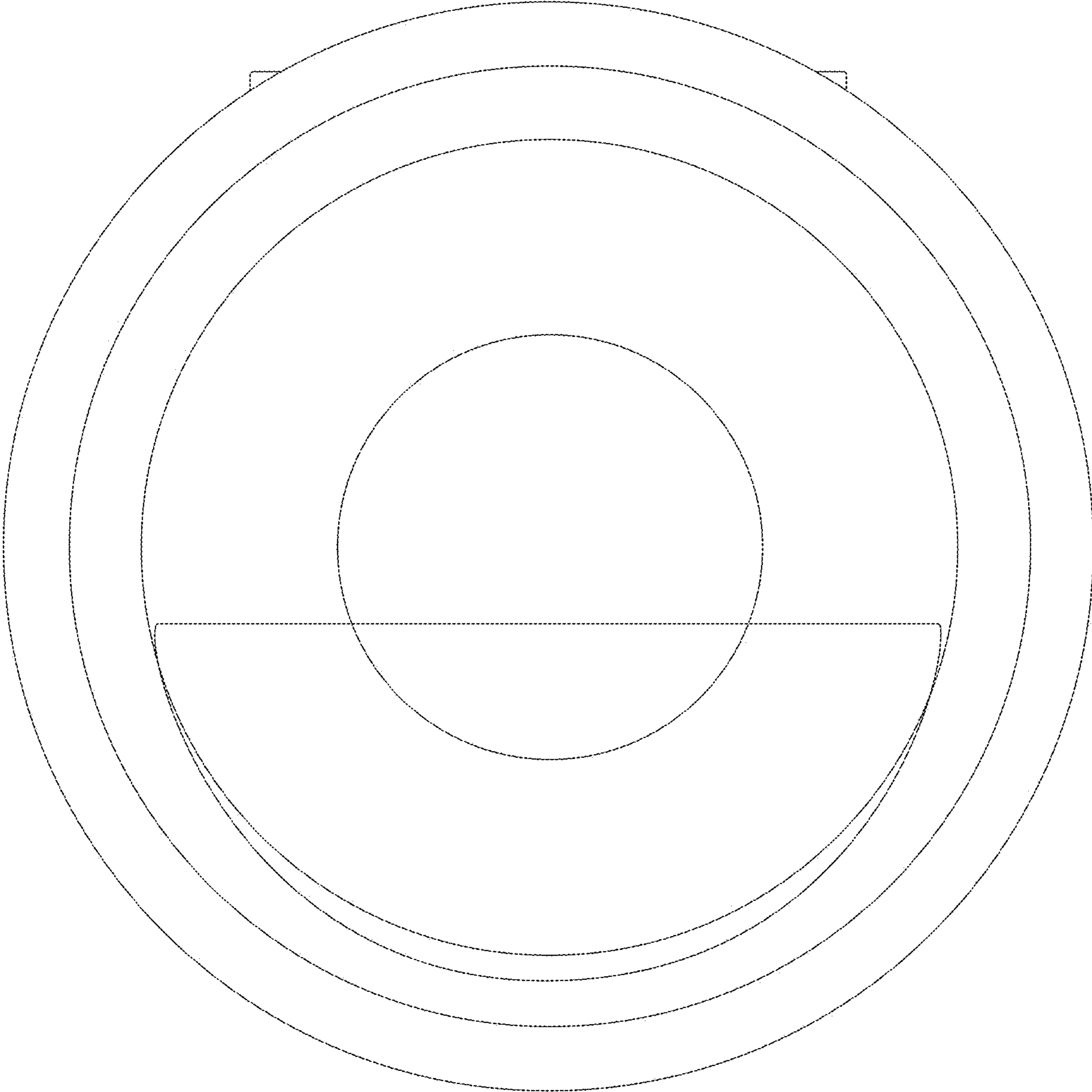


FIG. 1.6

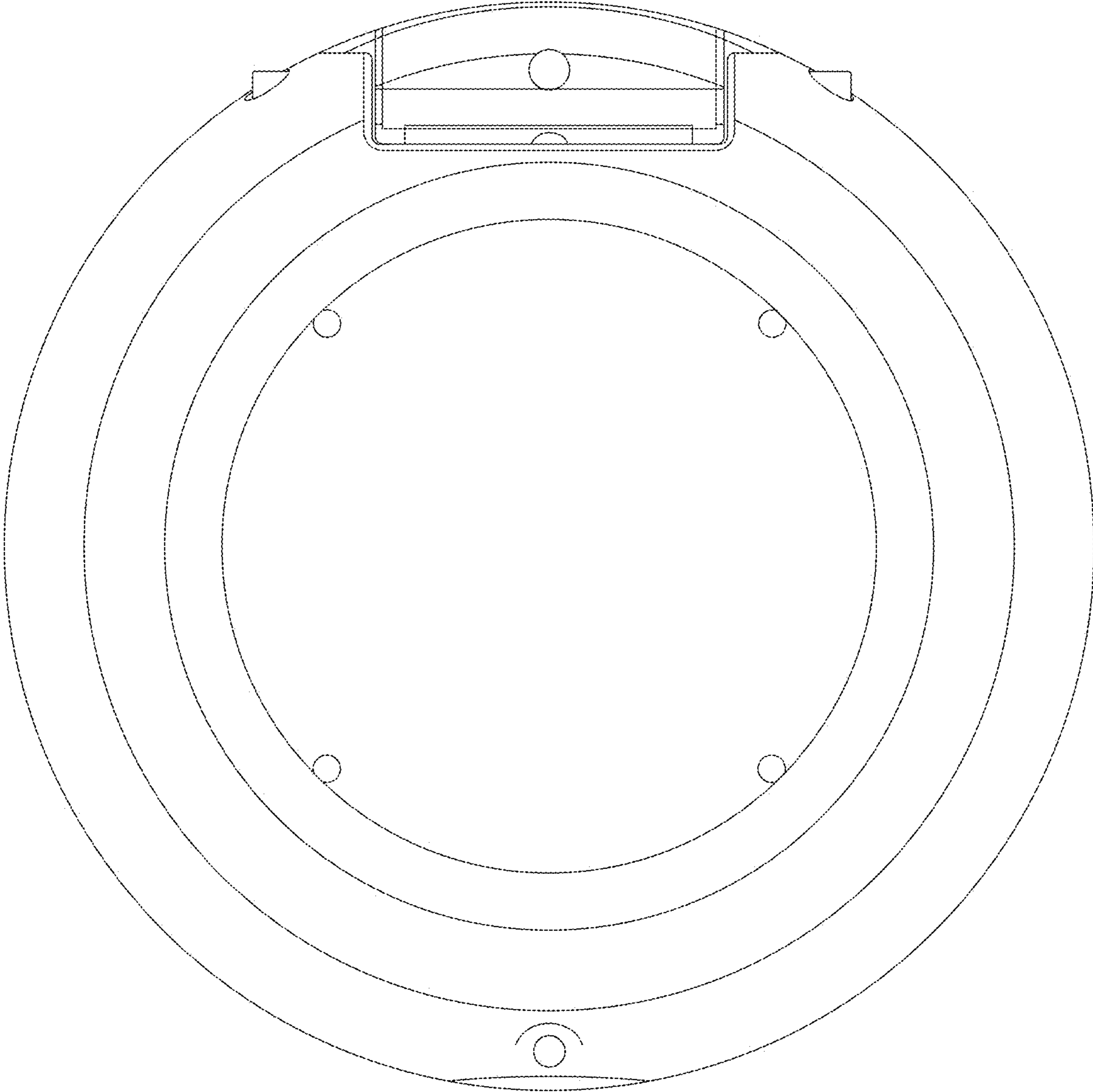


FIG. 1.7