



US00D952993S

(12) **United States Design Patent**
LV

(10) **Patent No.:** **US D952,993 S**

(45) **Date of Patent:** **** May 31, 2022**

(54) **CHILDREN'S SHOE**

(71) Applicant: **Quanzhou Feizheng Network Technology Co., Ltd., Fujian (CN)**

(72) Inventor: **Jianchao LV, Fujian (CN)**

(73) Assignee: **Quanzhou Feizheng Network Technology Co., Ltd., Fujian (CN)**

(**) Term: **15 Years**

(21) Appl. No.: **29/781,385**

(22) Filed: **Apr. 29, 2021**

(51) **LOC (13) Cl.** **02-04**

(52) **U.S. Cl.**
USPC **D2/900; D2/923**

(58) **Field of Classification Search**
USPC D2/896-900, 916, 917, 923-926, 943,
D2/946-969, 972, 976
CPC A43B 3/20; A43B 9/18; A43B 3/12; A43B
3/16; A43B 7/08
See application file for complete search history.

(56) **References Cited**

U.S. PATENT DOCUMENTS

D630,825 S *	1/2011	Strauss	D2/897
D637,382 S *	5/2011	Bathum	D2/969
D648,105 S *	11/2011	Schlageter	D2/923
D671,720 S *	12/2012	Callegarini	D2/900
D728,204 S *	5/2015	Fongher	A43B 3/101
				D2/900
D747,079 S *	1/2016	Carroll	D2/923
D764,153 S *	8/2016	Engerman	D2/923
D772,543 S *	11/2016	Laska	D2/923
D779,794 S *	2/2017	Engerman	D2/923
D804,153 S	12/2017	Stahl		

D825,899 S *	8/2018	Engerman	D2/923
D830,675 S *	10/2018	Del Biondi	D2/896
D843,089 S *	3/2019	Chanthavong	D2/916
D852,471 S	7/2019	Shelley		
D873,544 S *	1/2020	Fongher	D2/923
D874,797 S *	2/2020	Fongher	D2/923
D910,288 S *	2/2021	Funck	D2/923
2013/0145651 A1 *	6/2013	Bathum	A43B 3/101
				36/43

* cited by examiner

Primary Examiner — Rashida C. Walshon

(74) *Attorney, Agent, or Firm* — ScienBiziP, P.C.

(57) **CLAIM**

The ornamental design for a children's shoe, as shown and described.

DESCRIPTION

FIG. 1 is a front, right, and top perspective view of a children's shoe, showing my design.

FIG. 2 is a rear, left, and bottom perspective view thereof.

FIG. 3 is a front elevation view thereof.

FIG. 4 is a rear elevation view thereof.

FIG. 5 is a left side elevation view thereof.

FIG. 6 is a right side elevation view thereof.

FIG. 7 is a top plan view thereof; and,

FIG. 8 is a bottom plan view thereof.

A children's shoe for a left foot is a mirror image of the children's shoe for a right foot shown in FIGS. 1 to 8.

The broken lines shown in the drawings are included for the purpose of illustrating portions of the children's shoe that form no part of the claimed design.

1 Claim, 8 Drawing Sheets





FIG. 1

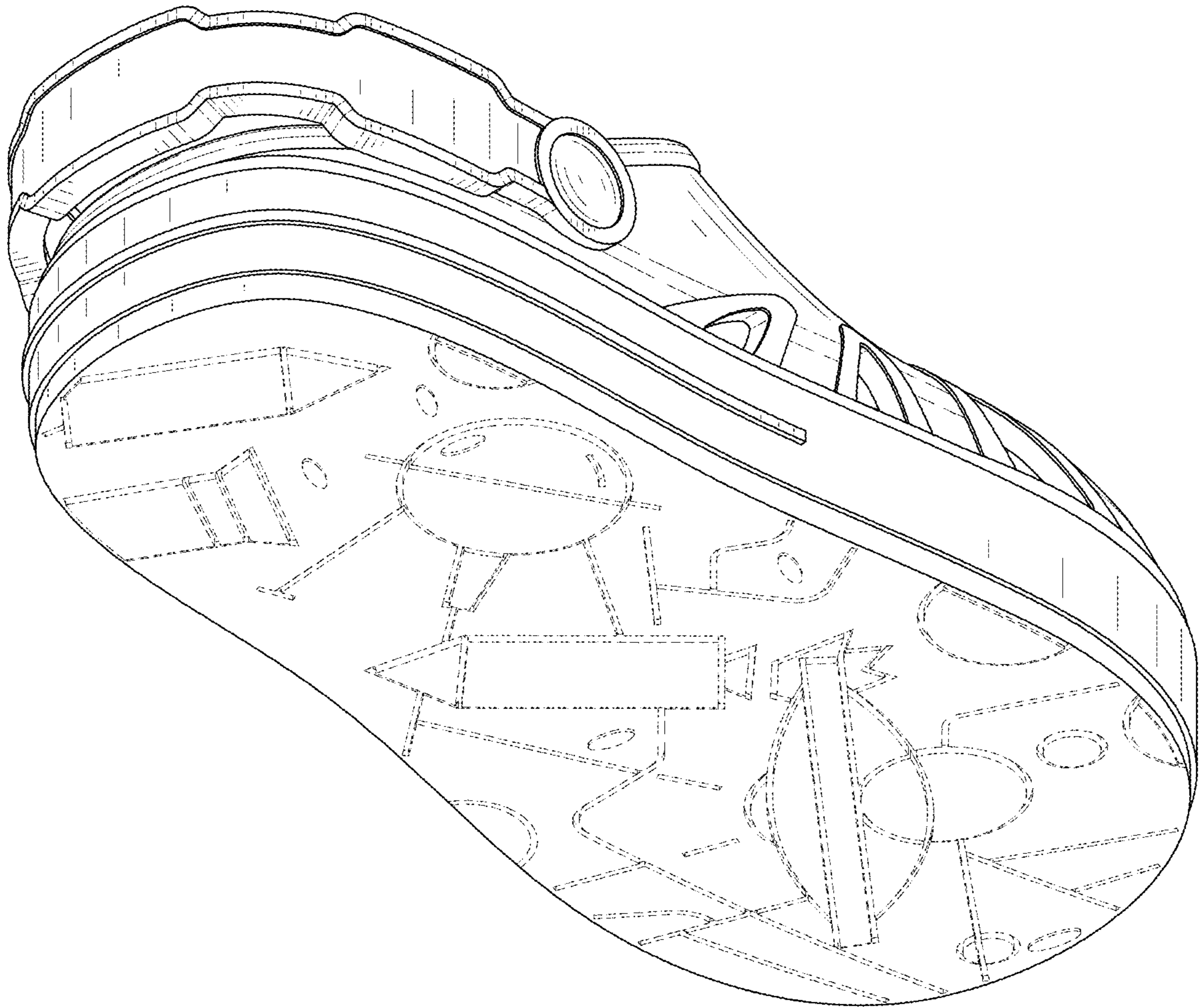


FIG. 2

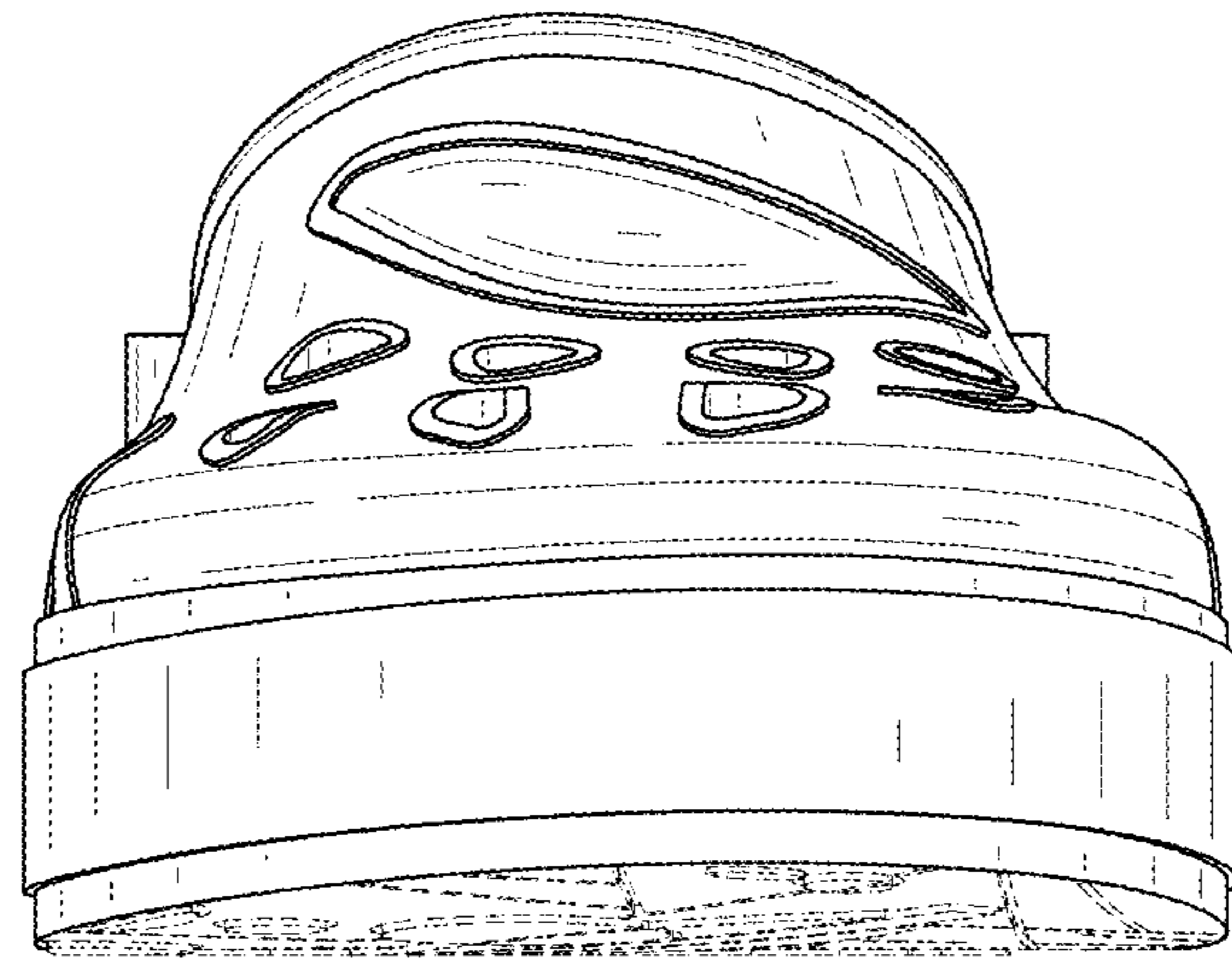


FIG. 3

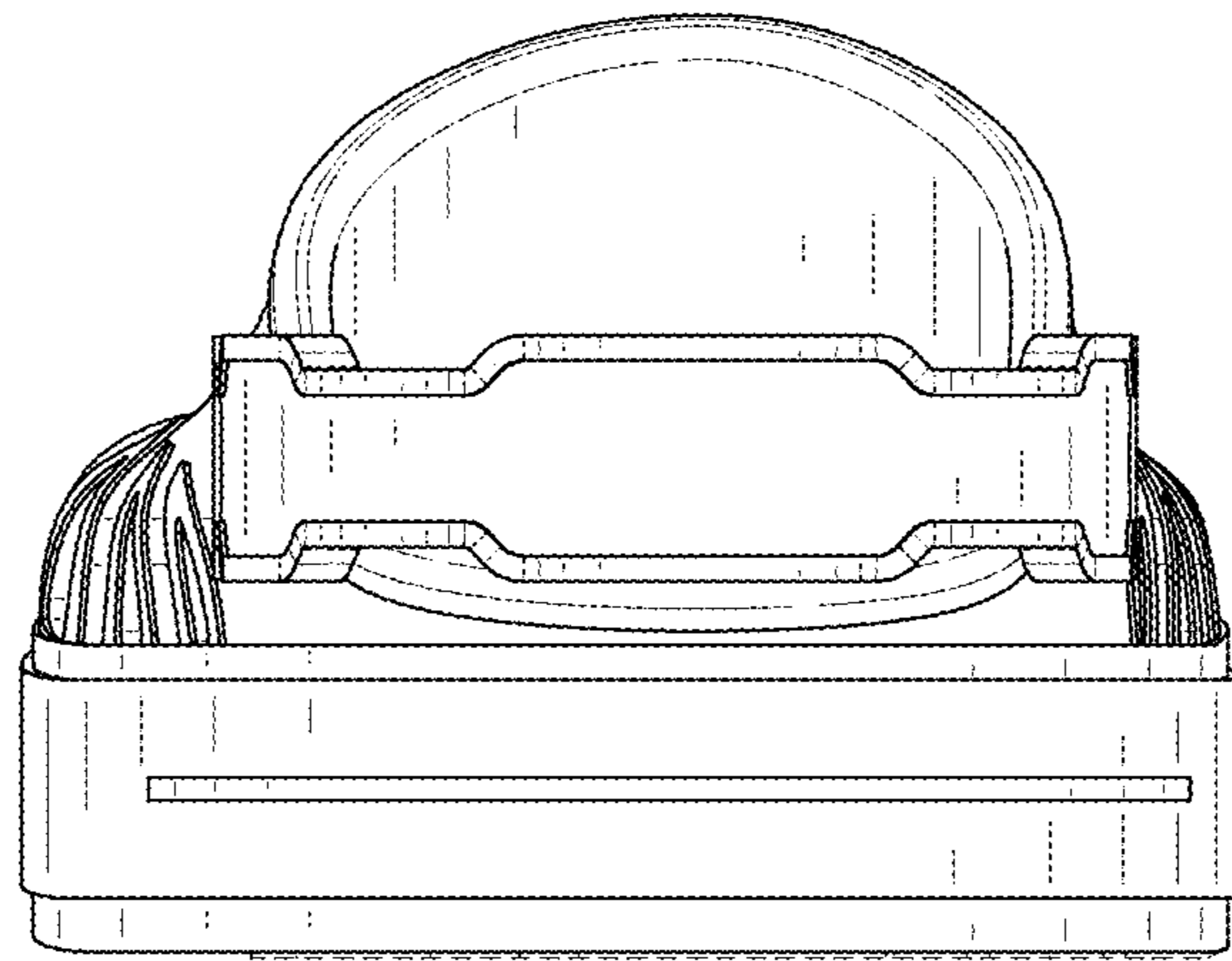


FIG. 4

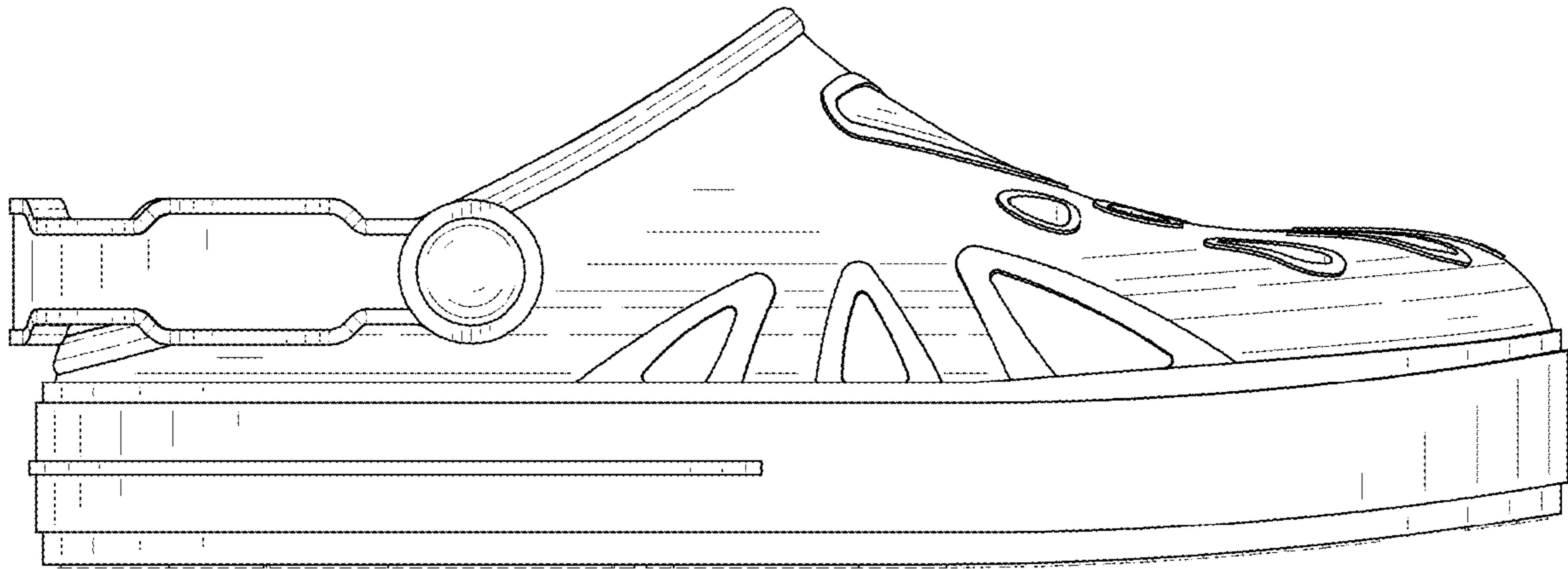


FIG. 5

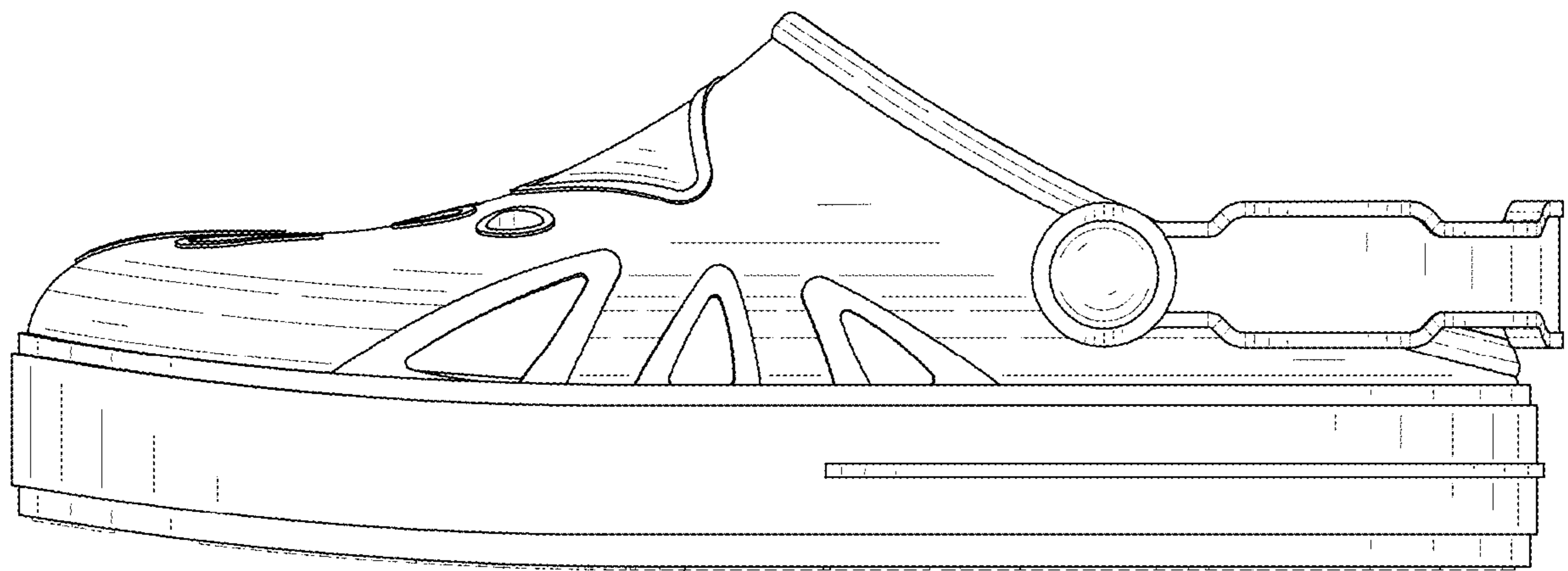


FIG. 6

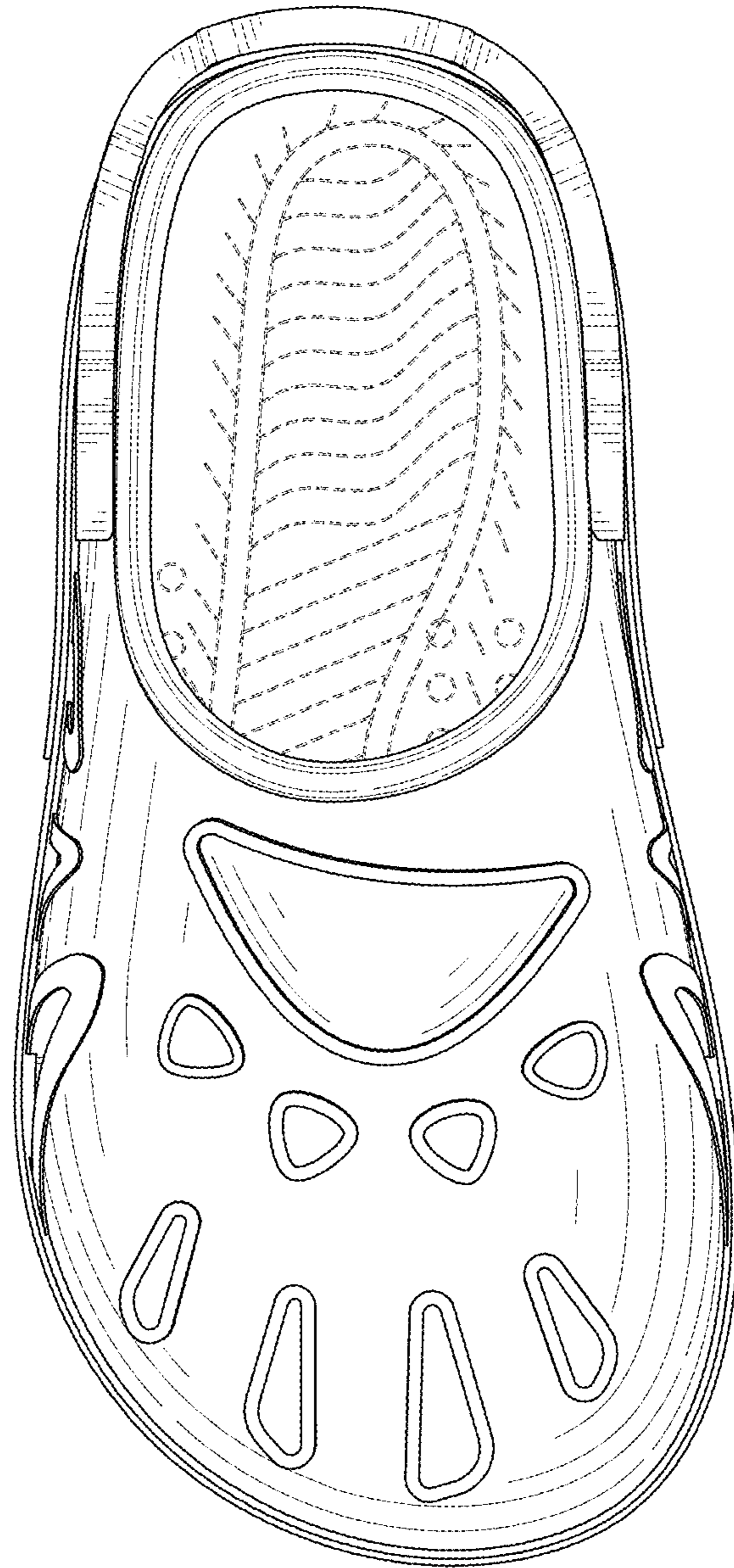


FIG. 7

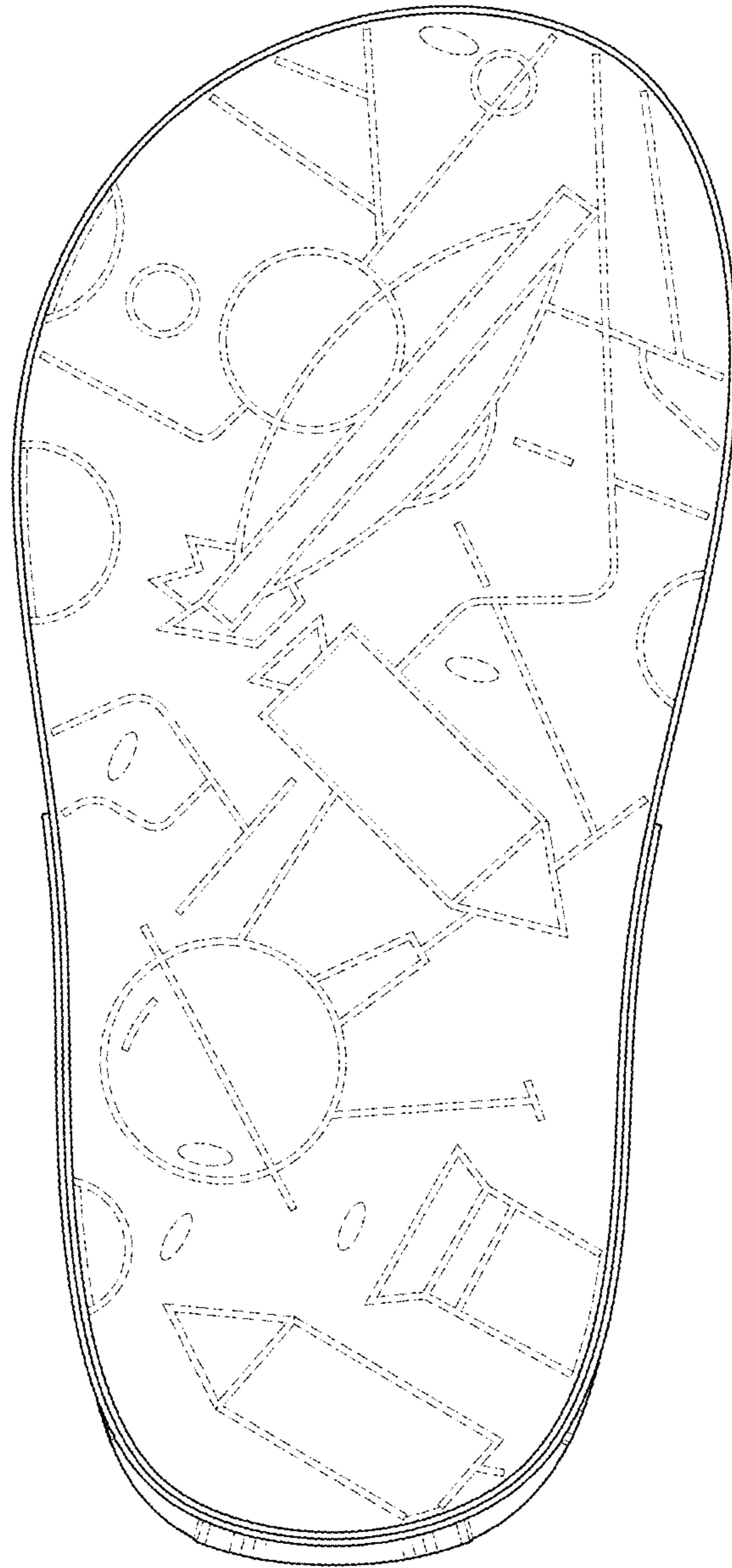


FIG. 8