



US00D952989S

(12) **United States Design Patent** (10) **Patent No.:** **US D952,989 S**
Whitney (45) **Date of Patent:** **** May 31, 2022**

(54) **SHIRT COLLAR SHAPING DEVICE**

(71) Applicant: **Matthew Robert Whitney**, Harley
(CA)

(72) Inventor: **Matthew Robert Whitney**, Harley
(CA)

(**) Term: **15 Years**

(21) Appl. No.: **29/764,441**

(22) Filed: **Dec. 30, 2020**

(30) **Foreign Application Priority Data**

Oct. 29, 2020 (CA) CA 199018

(51) **LOC (13) Cl.** **02-02**

(52) **U.S. Cl.**
USPC **D2/602**

(58) **Field of Classification Search**
USPC D2/500, 501, 508, 600, 601, 602, 603,
D2/604, 605, 606, 607, 608, 609; D11/8,
D11/202

CPC A41D 25/00; A41D 25/001; A41D 25/003;
A41D 25/004; A41D 25/012; A41D 3/08;
A41D 27/00; A41D 27/18; A44B 6/00;
A41B 3/00; A41B 3/06

See application file for complete search history.

(56) **References Cited**

U.S. PATENT DOCUMENTS

- 902,576 A 11/1908 Gustafson
- 1,751,655 A 3/1930 Oppermann
- 2,823,839 A * 2/1958 Bunch B65D 85/182
223/83
- 3,233,799 A * 2/1966 Abbey D06F 91/00
223/83
- D241,989 S * 10/1976 Bunch D2/605
- 4,133,463 A * 1/1979 Bourrian B65D 85/182
223/83
- D277,617 S * 2/1985 Chen D2/605

- D499,230 S * 12/2004 Young D2/602
- 8,296,865 B2 * 10/2012 Garcia A41B 3/06
2/132
- 8,813,264 B2 * 8/2014 Boos A41B 3/08
2/132
- 10,405,586 B2 * 9/2019 Groth A41B 3/06
- 10,945,474 B2 * 3/2021 Atkinson-Skinner
A41D 20/00

(Continued)

OTHER PUBLICATIONS

Slick Collar by LuxeAvant Innovations, Best Shirt Collar Support and Collar Stay Solution, <https://slickcollar.com/>, published May 3, 2019.

(Continued)

Primary Examiner — Jasmine Mlinarcik

(74) *Attorney, Agent, or Firm* — Emerson, Thomson & Bennett, LLC; Roger D. Emerson; Peter R. Detorre

(57) **CLAIM**

The ornamental design for a shirt collar shaping device, as shown and described.

DESCRIPTION

FIG. 1 is an upper perspective view of a shirt collar shaping device;

FIG. 2 is a top view of the shirt collar shaping device of FIG. 1;

FIG. 3 is a front elevational view of the shirt collar shaping device of FIG. 1;

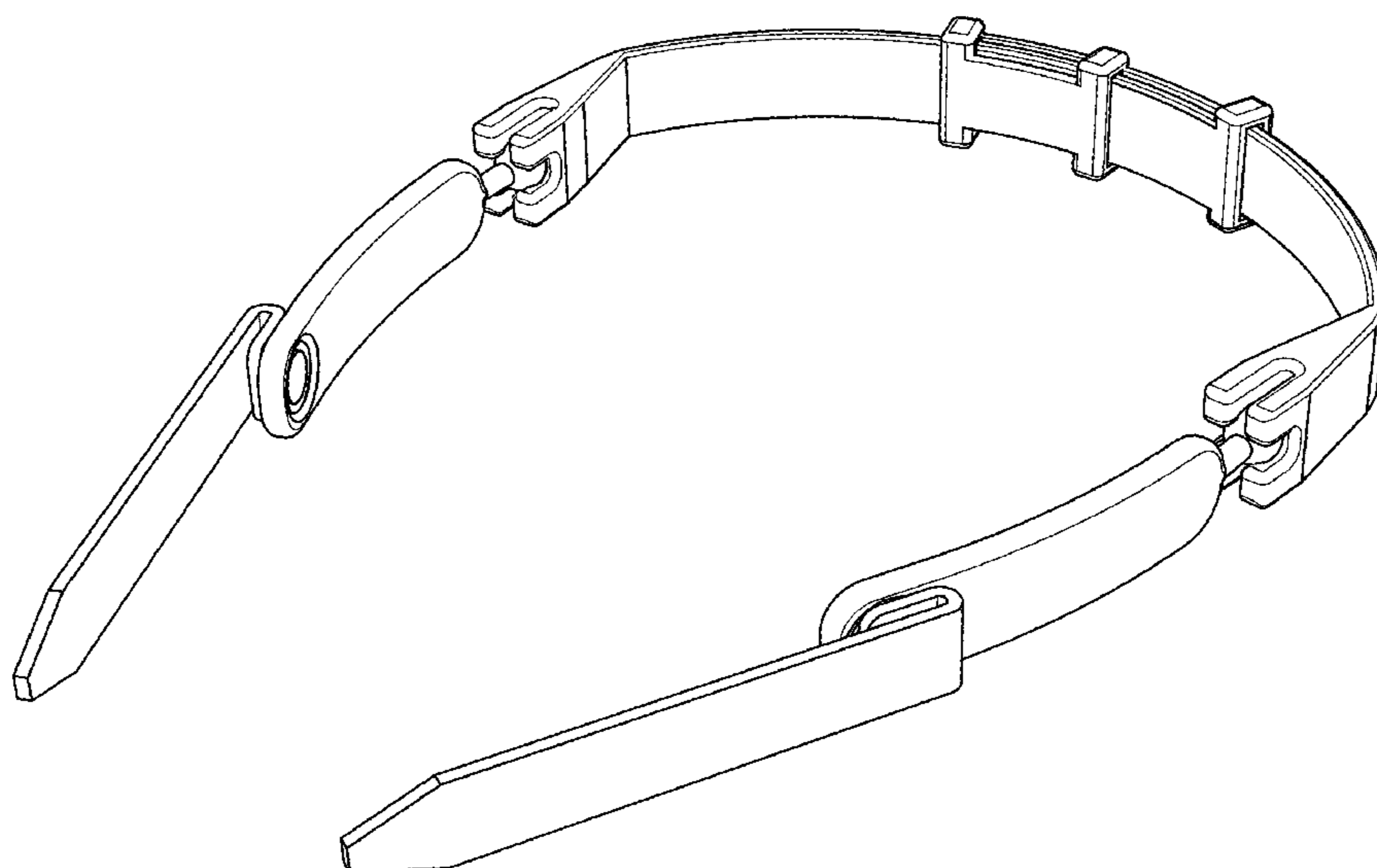
FIG. 4 is a rear view of the shirt collar shaping device of FIG. 1;

FIG. 5 is a side view of the shirt collar shaping device of FIG. 1;

FIG. 6 is an upper perspective view of the shirt collar shaping device of FIG. 1 in a disassembled position; and,

FIG. 7 is an upper exploded perspective view of the shirt collar shaping device of FIG. 1.

1 Claim, 7 Drawing Sheets



(56)

References Cited

U.S. PATENT DOCUMENTS

2011/0113526 A1* 5/2011 Harris A41B 3/06
2/132
2014/0345031 A1* 11/2014 Reidsema A41B 3/06
2/132

OTHER PUBLICATIONS

The Clothing Innovation Company, Perky Collar, <https://www.perkyllc.com/perky-collar.html>, published Jul. 13, 2018.
Stiff Collar Stay, “Stiff Collar Stay Adjustable Metal Shirt Collar Support, Collar and Placket Stays. Men and Women”, <https://www.amazon.ca/Stiff-Collar-Stay-Adjustable-Support/dp/B08LZ2QV5M?th=1>, published Oct. 27, 2020.

* cited by examiner

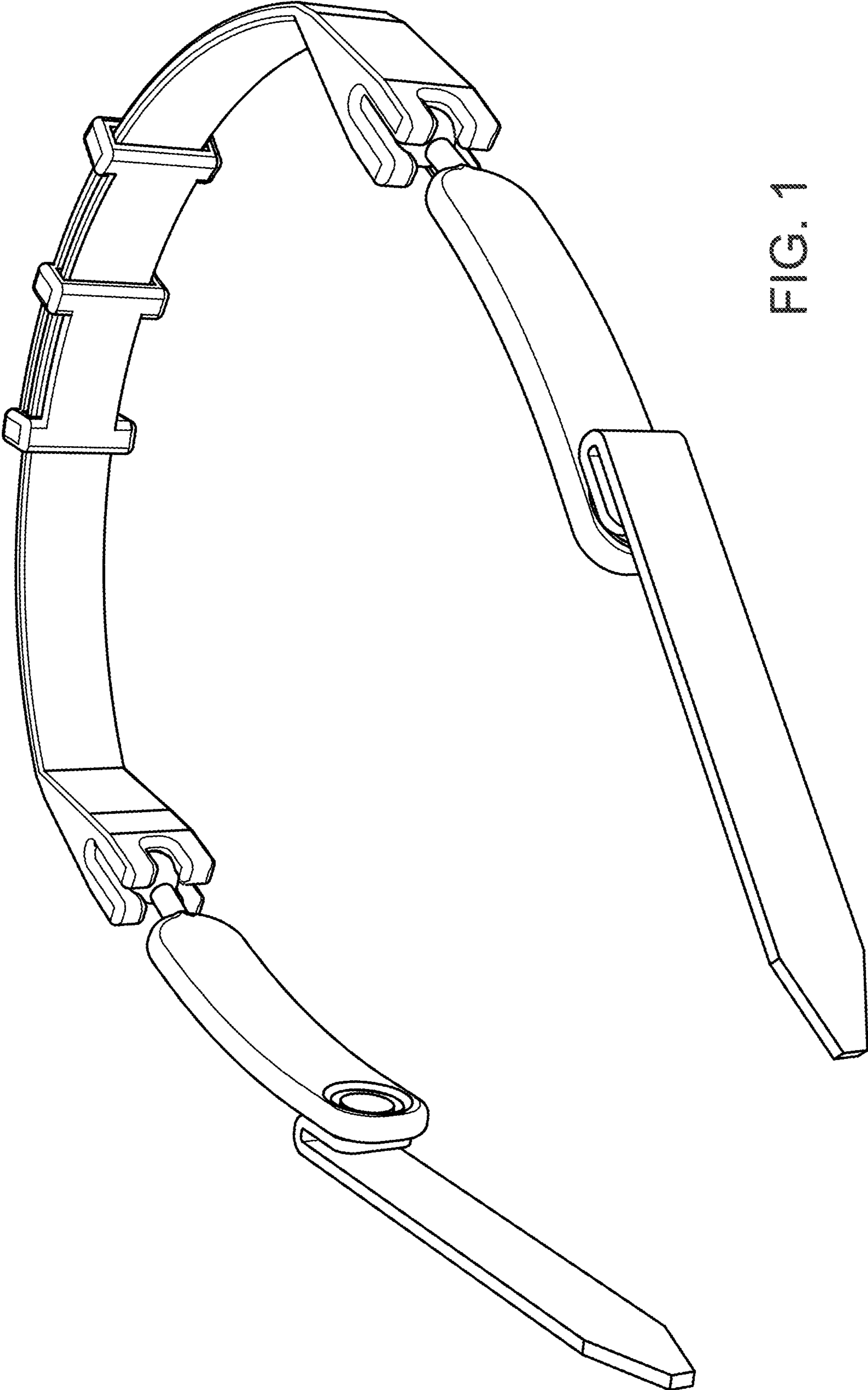


FIG. 1

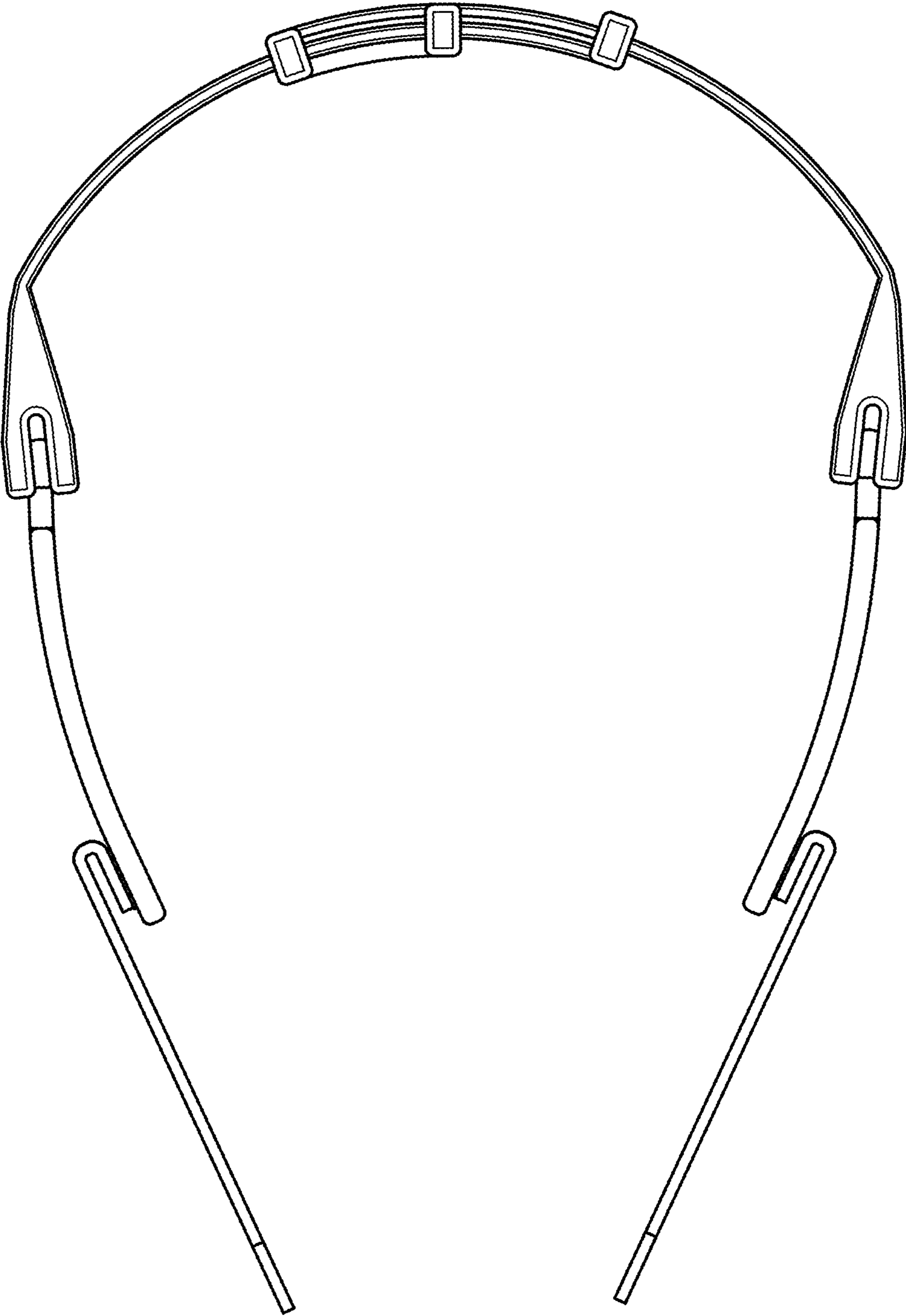


FIG. 2

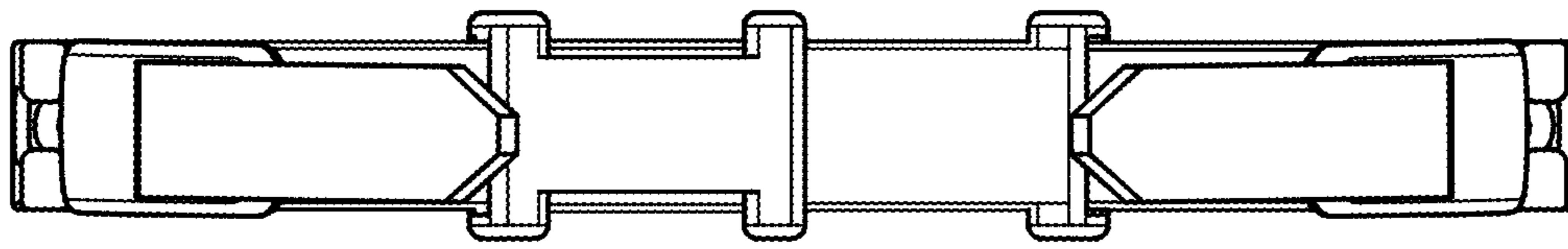


FIG. 3

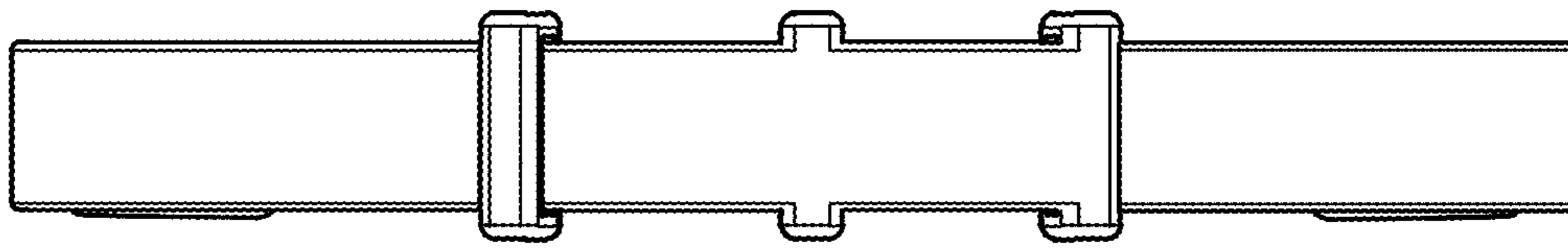


FIG. 4

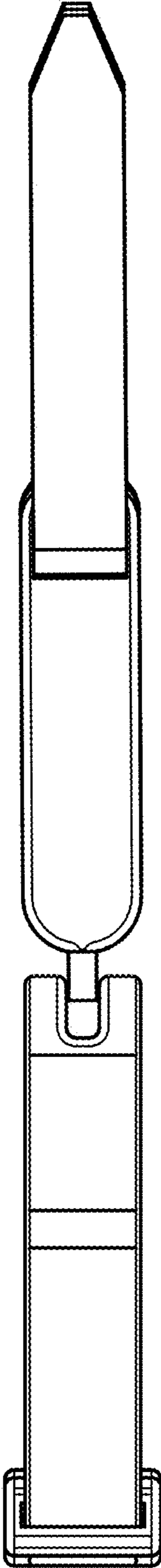


FIG. 5

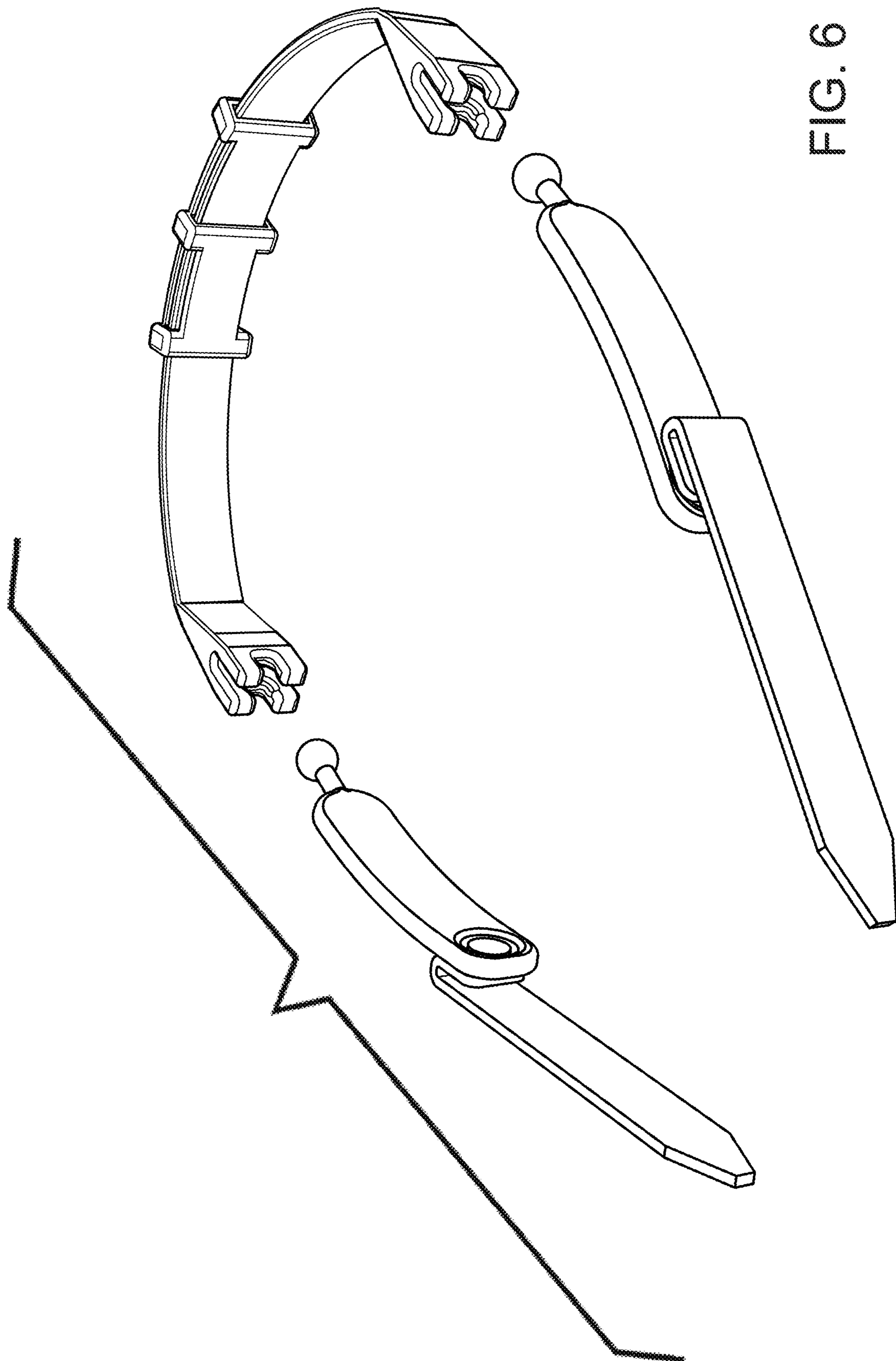


FIG. 6

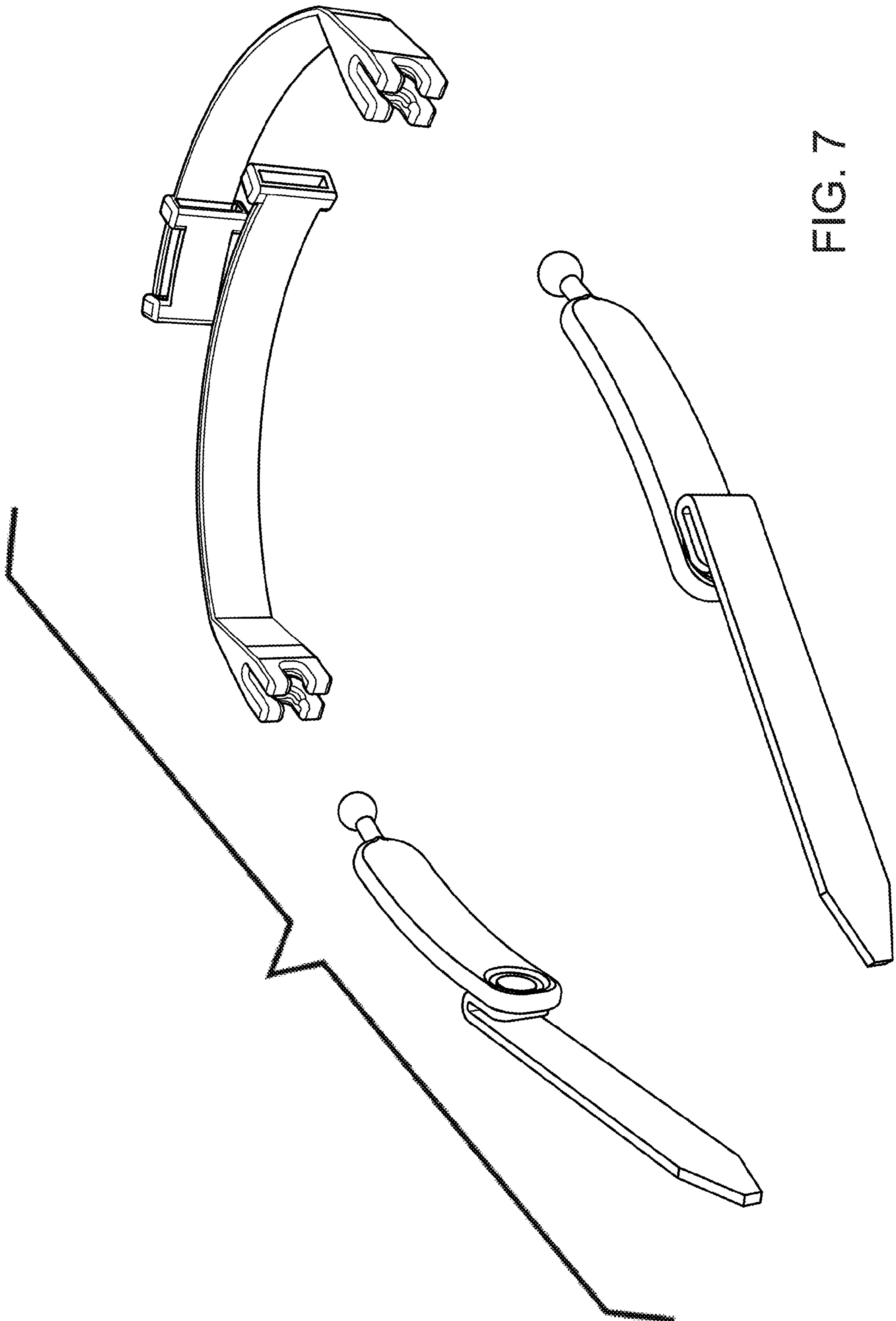


FIG. 7