



US00D952985S

(12) **United States Design Patent** (10) **Patent No.:** **US D952,985 S**
Zhu (45) **Date of Patent:** **** May 24, 2022**

(54) **PISTOL SAFE** 6,843,081 B1 * 1/2005 Painter F41C 33/06
42/70.11
(71) Applicant: **Luoyang KAER Office Furniture Co., Ltd., Luoyang (CN)** D516,834 S 3/2006 Masseth, Jr.
7,025,203 B2 * 4/2006 Schonenbach F41C 33/06
206/478
(72) Inventor: **Lixue Zhu, Luoyang (CN)** D541,045 S * 4/2007 Peart D99/28
D542,529 S * 5/2007 Peart D3/276
D558,977 S * 1/2008 Peart D99/28
(73) Assignee: **Luoyang KAER Office Furniture Co., Ltd., Luoyang (CN)** D561,994 S * 2/2008 Peart D99/28
D569,073 S * 5/2008 Osiecki D99/28
(Continued)

(**) Term: **15 Years**

(21) Appl. No.: **29/781,242**

(22) Filed: **Apr. 28, 2021**

(51) **LOC (13) Cl.** **99-00**

(52) **U.S. Cl.**
USPC **D99/28**

(58) **Field of Classification Search**
USPC D99/28, 34, 35, 36, 43, 99; 109/1 R,
109/1 V, 2, 45; 902/9, 30; 235/100;
206/317, 527, 235; 312/400, 409
CPC E05B 65/0075; F42B 39/00; F42B 39/002;
F42B 39/14; F42B 39/18; F42B 39/22;
F42B 39/24; F42B 39/20; F42B 39/26;
E05G 1/00; E05G 1/005; E05G 1/024;
E05G 5/00; E05G 5/02; E05G 2700/00;
E05G 2700/02; E05G 2700/04; G07F
17/10; G07F 9/06; G07F 9/003; G07F
9/002; G07F 9/004; G07F 9/008; G07D
11/0009; G07D 11/009; G07D 11/006
See application file for complete search history.

(56) **References Cited**

U.S. PATENT DOCUMENTS

D357,117 S * 4/1995 Huang D3/276
D399,632 S * 10/1998 Davis D99/28
6,405,861 B1 * 6/2002 Siler F41C 33/06
206/1.5
D474,596 S * 5/2003 Osiecki D3/273
6,752,092 B2 * 6/2004 Beattie E05G 1/024
109/74

OTHER PUBLICATIONS

RPNB Gun Safe, California DOJ Certified Quick-Access Pistol Safe for Multiple Handguns&Ammo with Biometric Fingerprint Lock or RFID Lock, Auto-Open Lid Safety Device for 2 Guns, <https://www.amazon.com/RPNB-Quick-Access-Firearm-Safety-Personal/dp/B07S8S9KCW?&linkCode>, May 27, 2019. (Year: 2019).*

(Continued)

Primary Examiner — Elizabeth J Oswecki

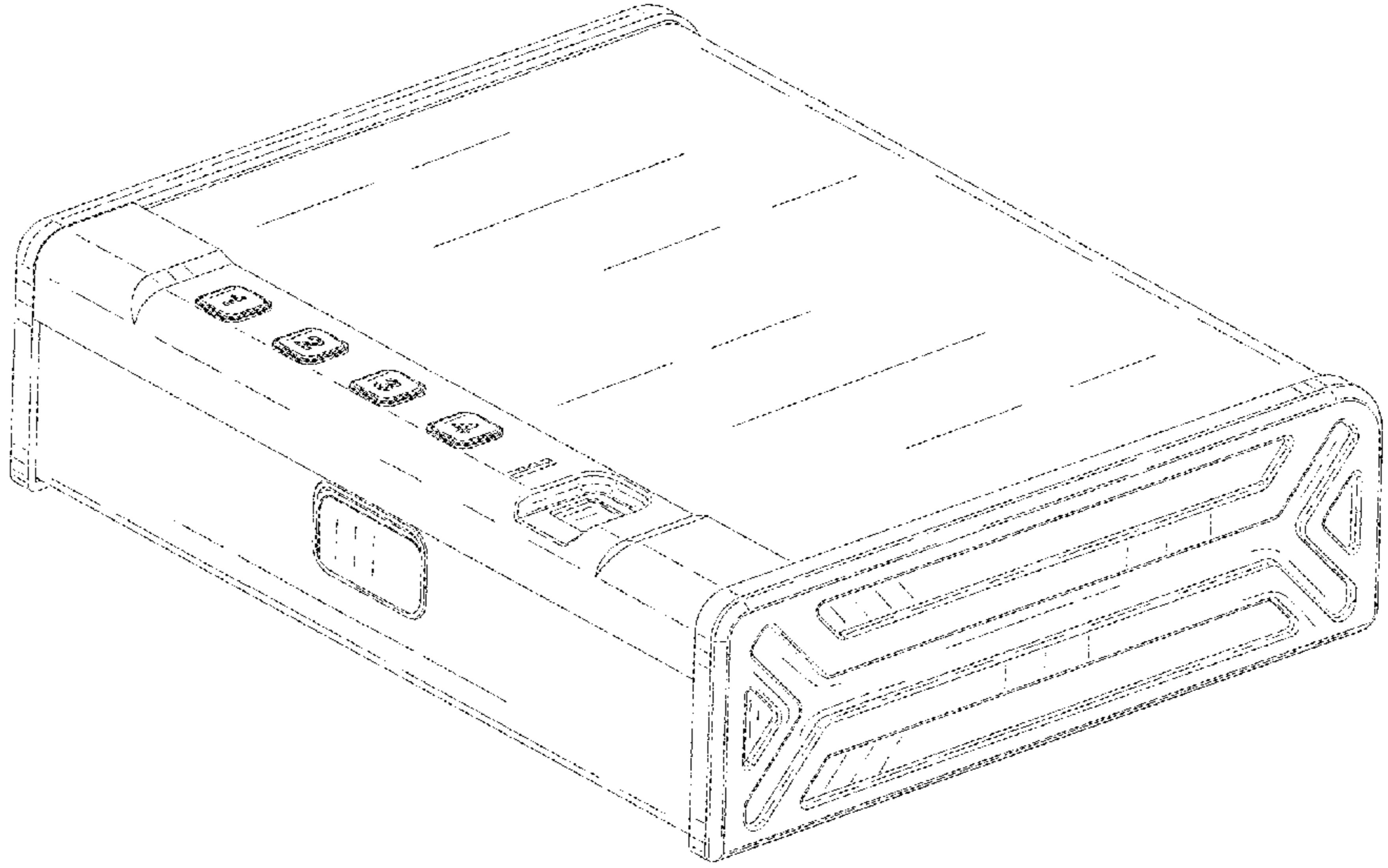
(57) **CLAIM**

The ornamental design for a pistol safe, as shown and described.

DESCRIPTION

FIG. 1 is a perspective view of a pistol safe showing my new design;
FIG. 2 is another perspective view of FIG. 1, shown in an open position;
FIG. 3 is a front view of FIG. 1;
FIG. 4 is a back view of FIG. 1;
FIG. 5 is a left side view of FIG. 1;
FIG. 6 is a right side view of FIG. 1;
FIG. 7 is a top plan view of FIG. 1; and,
FIG. 8 is a bottom plan view of FIG. 1.
The broken lines in the drawings depict portions of the pistol safe that form no part of the claimed design.

1 Claim, 8 Drawing Sheets



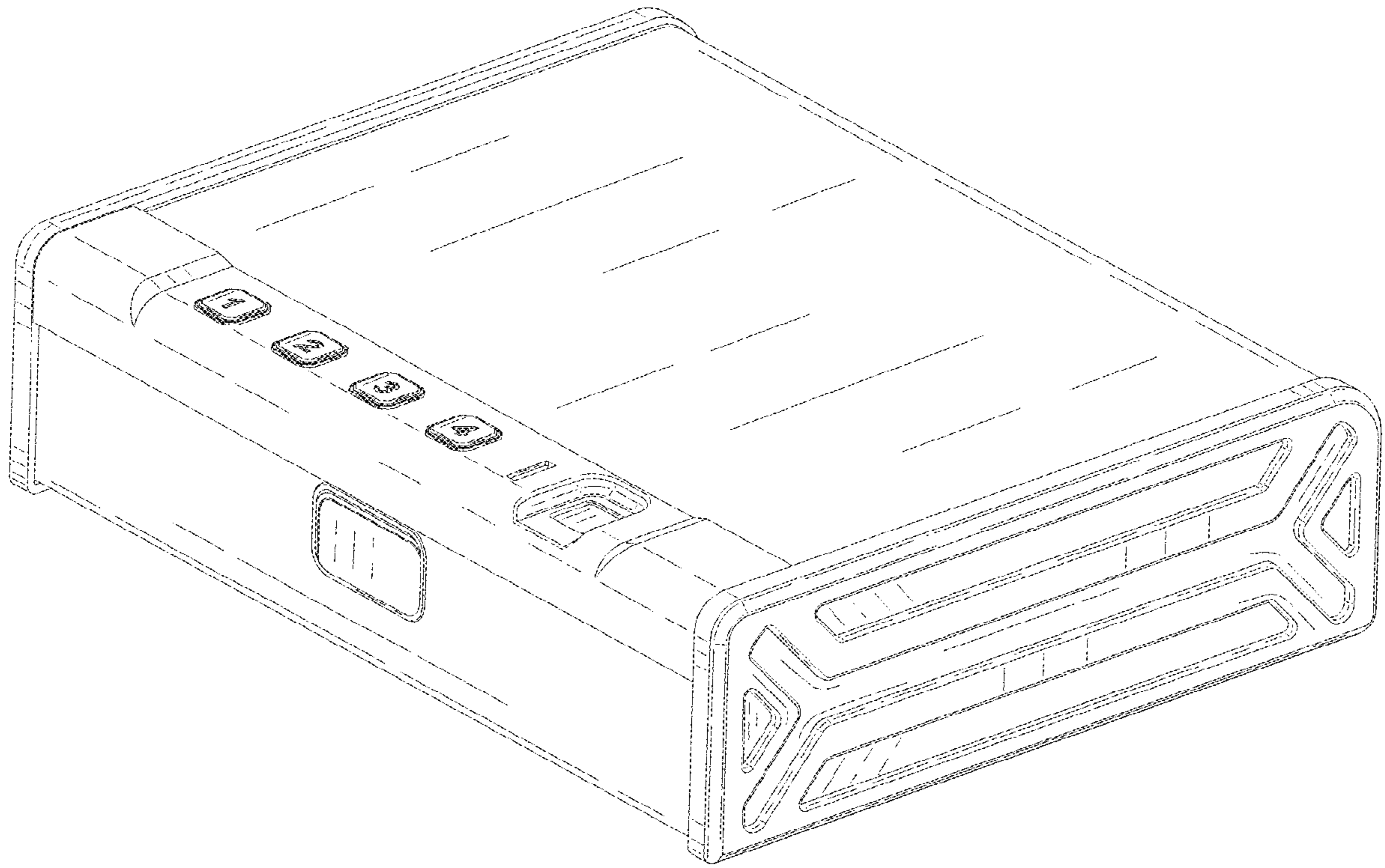


FIG. 1

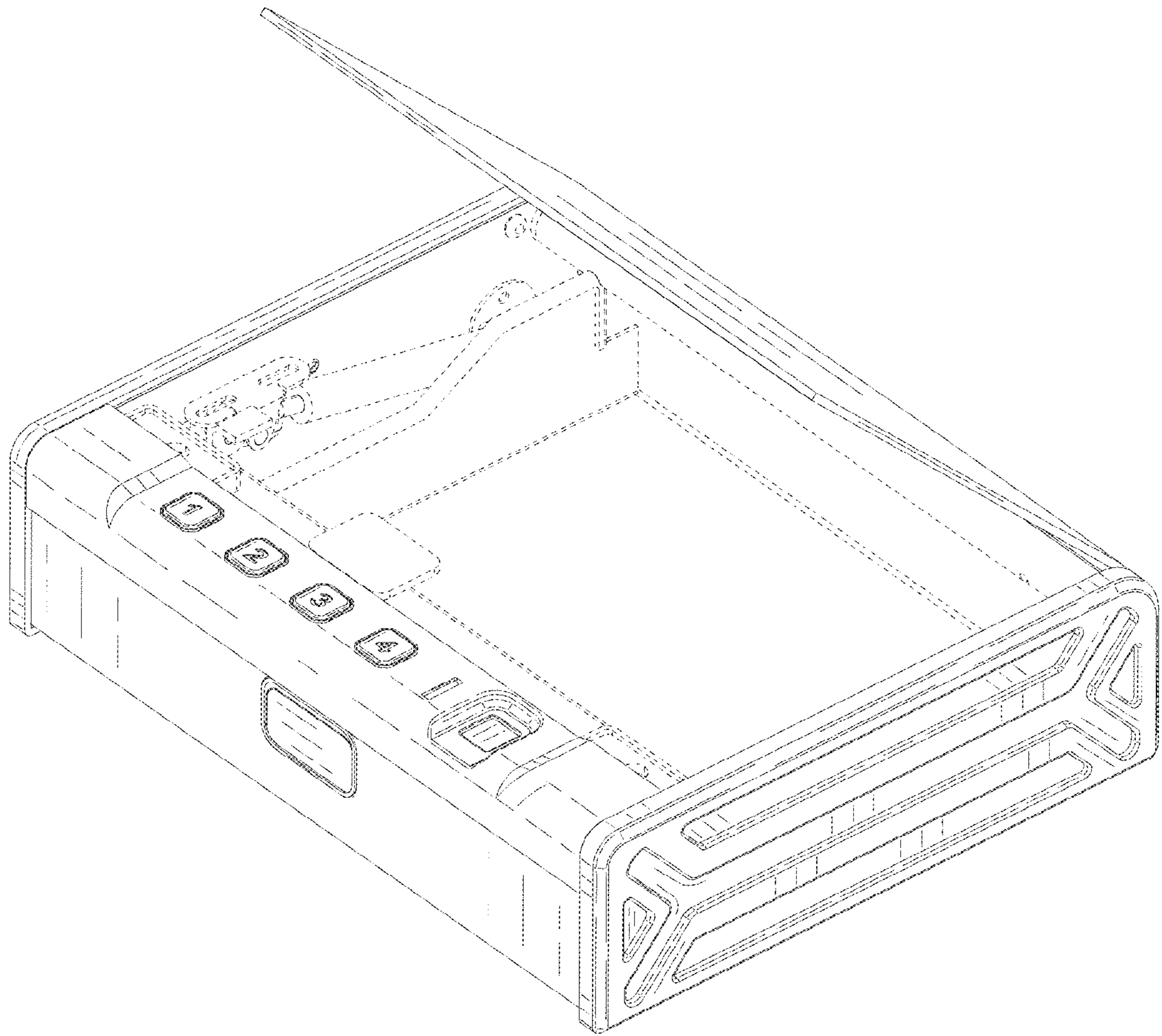


FIG. 2

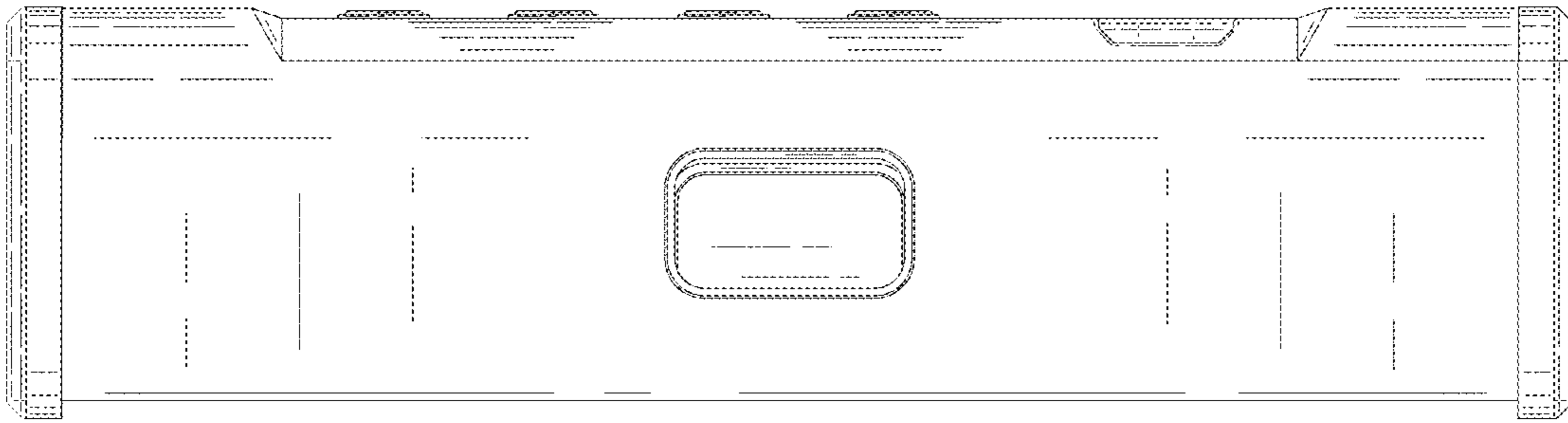


FIG. 3

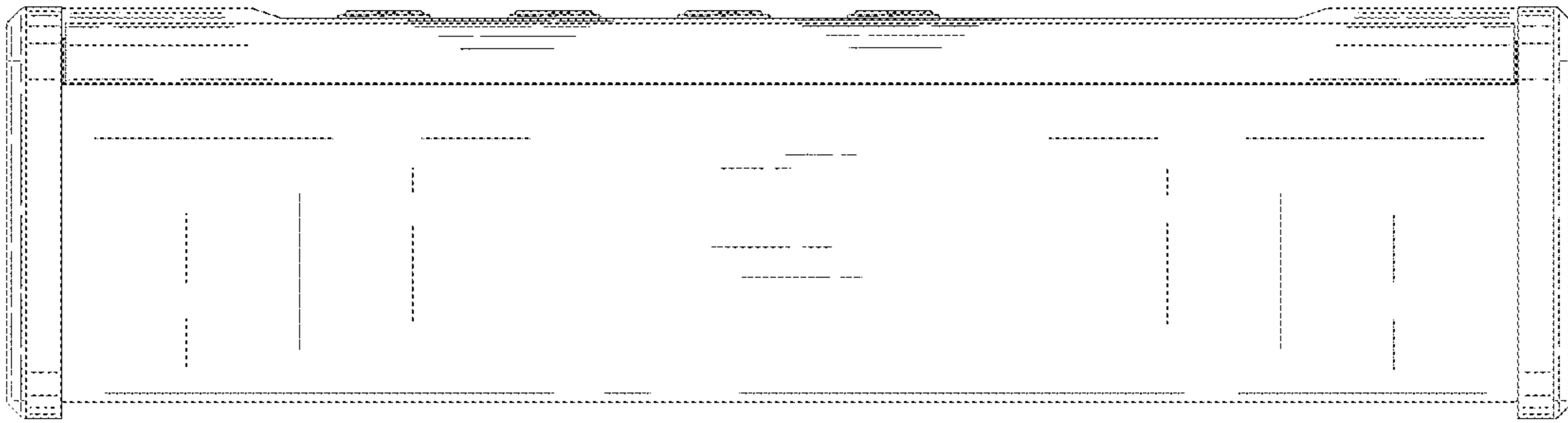


FIG. 4



FIG. 5

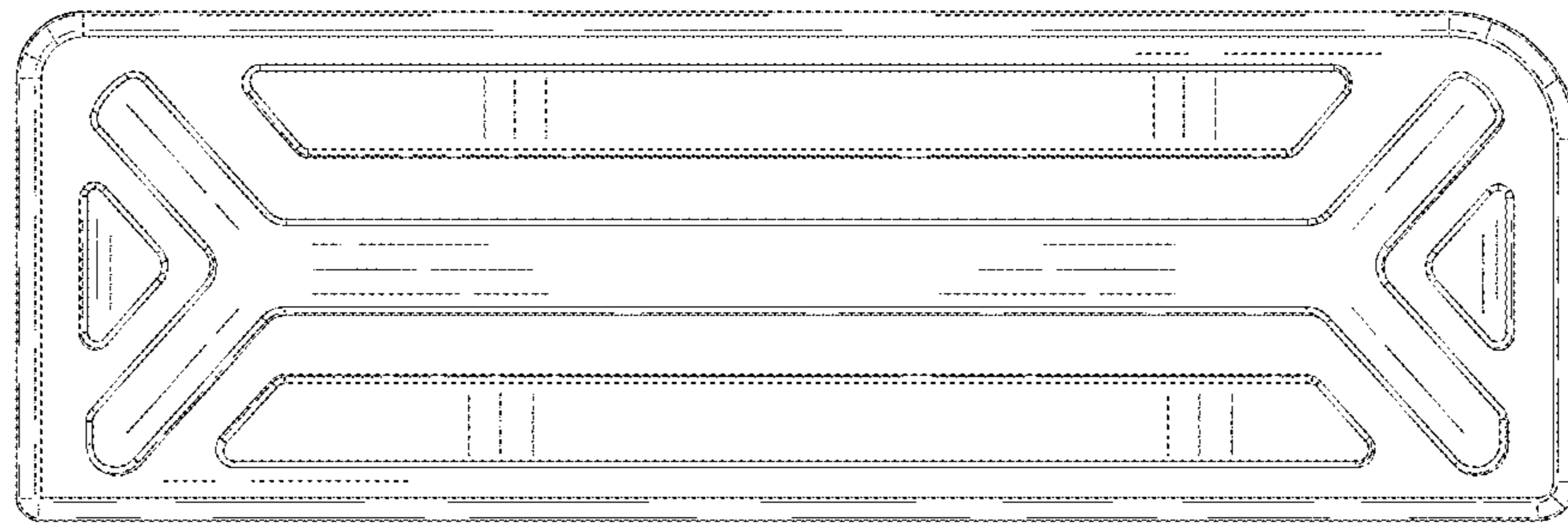


FIG. 6

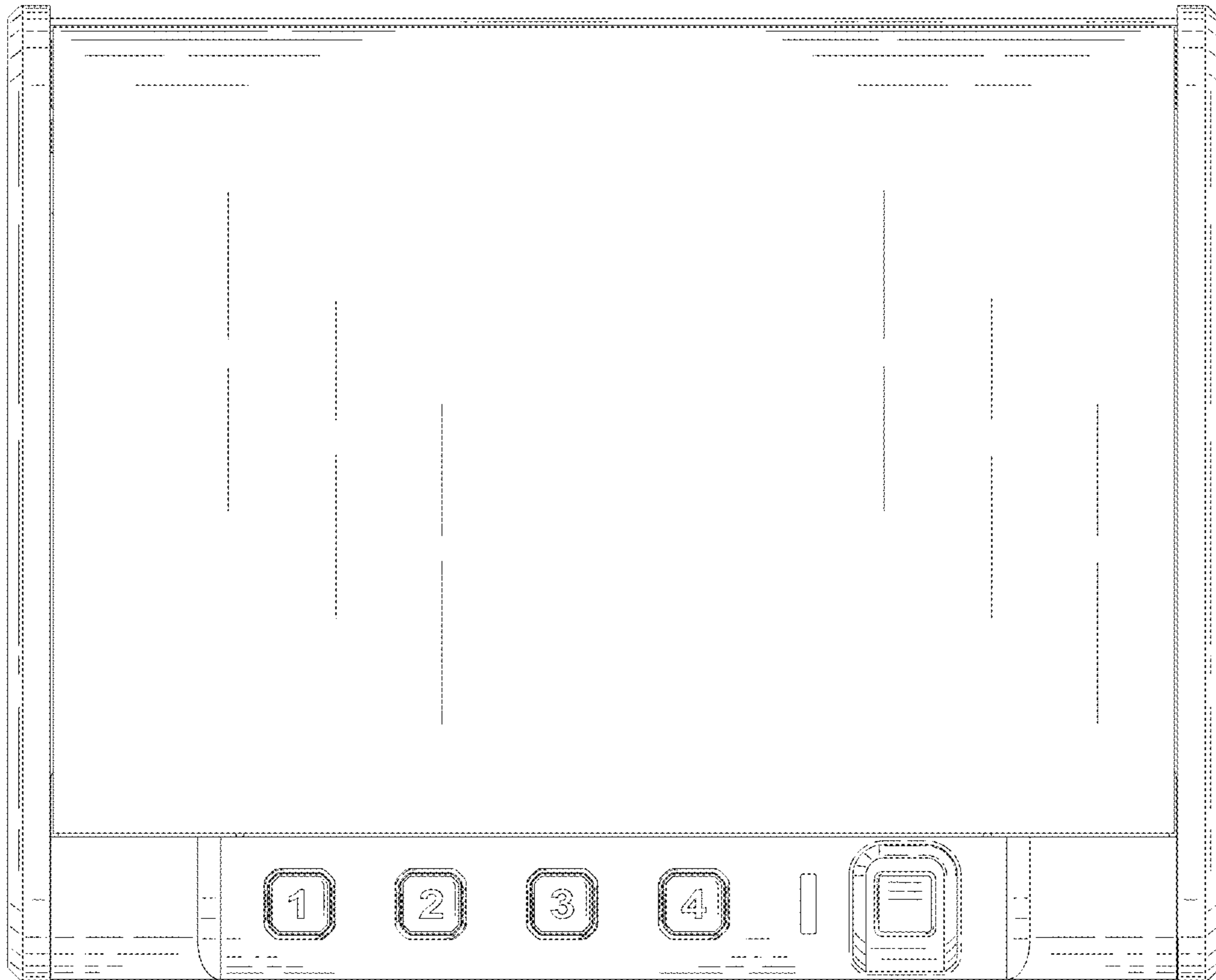


FIG. 7

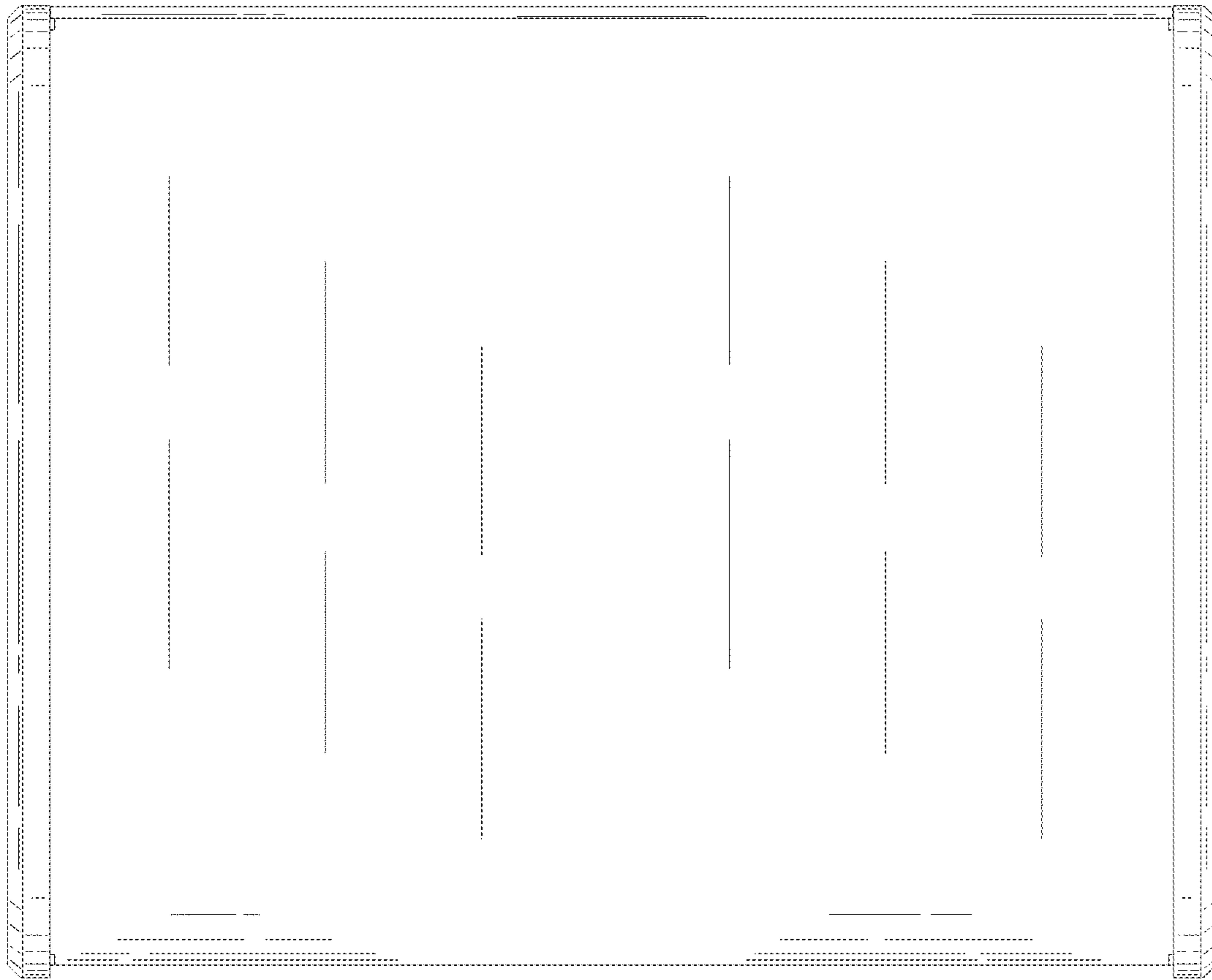


FIG. 8