



US00D952984S

(12) **United States Design Patent** (10) **Patent No.:** **US D952,984 S**
Stepp et al. (45) **Date of Patent:** **** May 24, 2022**

(54) **SAFE** 2,088,459 A * 7/1937 Bennett E05G 5/006
70/77
(71) Applicant: **PROSTEEL SECURITY** D273,052 S * 3/1984 Snodgrass D99/28
PRODUCTS, INC., Provo, UT (US) D291,019 S * 7/1987 Druihet D8/302
D487,835 S * 3/2004 Lynch D99/28
(72) Inventors: **Richard E. Stepp**, Provo, UT (US); D493,270 S * 7/2004 Lynch D99/28
Keith G. Sanders, Provo, UT (US) D557,875 S * 12/2007 Stuhlberg D99/28
D601,581 S * 10/2009 Cherian D14/492
(73) Assignee: **PROSTEEL SECURITY** D620,675 S * 7/2010 Doetting D99/28
PRODUCTS, INC., Provo, UT (US) (Continued)

(**) Term: **15 Years**

(21) Appl. No.: **29/713,243**

(22) Filed: **Nov. 14, 2019**

(51) **LOC (13) Cl.** **99-00**

(52) **U.S. Cl.**
USPC **D99/28**

(58) **Field of Classification Search**
USPC D99/28, 34, 35, 36, 43, 99; D3/902, 905,
D3/201, 272, 273; D18/3.1, 3.3, 12.1
CPC A45C 1/12; A45C 2001/125; A45C
2001/102; A45C 2001/104; A45C
2001/006; A45C 2001/003; A45C
2001/105; A45C 2001/107; E05G 1/00;
E05G 1/005; E05G 1/024; E05G 1/026;
E05G 5/00; E05G 7/00; E05G 7/001;
E05G 2700/00; E05G 2700/02; B63C
7/30; G07D 9/00; G07D 9/002; G07D
9/004; G07D 9/006; G07D 9/008; G07D
9/02; G07D 9/04; G07D 9/06; G07D
9/065; G07D 11/00; G07D 11/0021;
G07D 13/00; G07D 2201/00; G07D
2211/00; G07F 9/06; G07F 9/08

See application file for complete search history.

(56) **References Cited**

U.S. PATENT DOCUMENTS

D103,629 S * 3/1937 Davis D99/28
2,081,271 A * 5/1937 Ellithorpe E05G 5/00
109/7

OTHER PUBLICATIONS

Barska AX12674 Fireproof Digital Keypad Vault Safe 4.35 Cu Ft,
AX12674 Standard,Black, <https://www.amazon.com/BARSKA-AX12674-FV-500-Fireproof-Vault/dp/B01FUZ9TIS>, May 16, 2016.
(Year: 2016).*

(Continued)

Primary Examiner — Elizabeth J Oswecki
(74) *Attorney, Agent, or Firm* — Bretton L. Crockett;
TechLaw Ventures, PLLC

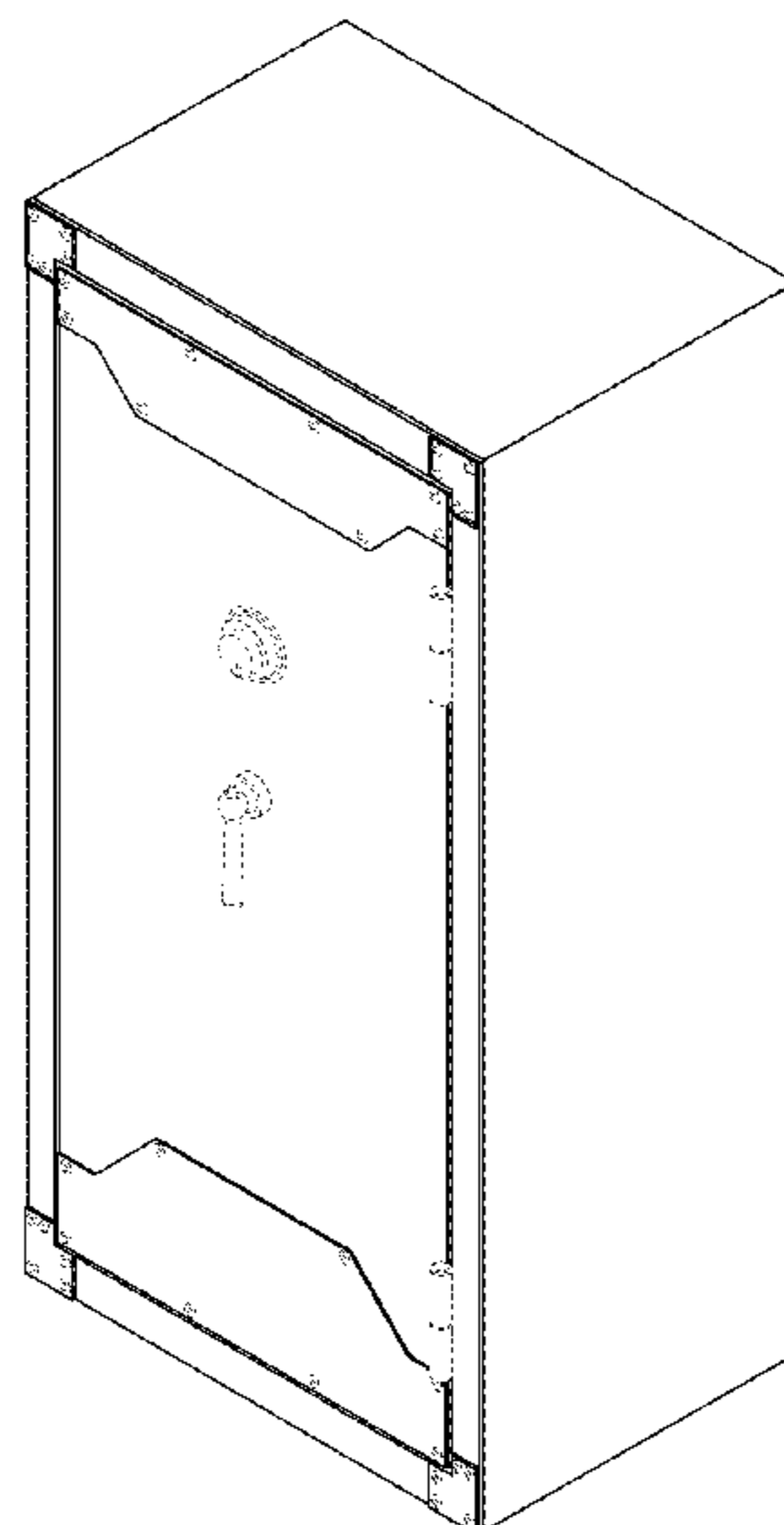
(57) **CLAIM**

The ornamental design for a safe, as shown and described.

DESCRIPTION

FIG. 1 is a top isometric view of a safe showing our new design;
FIG. 2 is a front view thereof;
FIG. 3 is a rear view thereof;
FIG. 4 is a left view thereof;
FIG. 5 is a right view thereof;
FIG. 6 is a top view thereof; and,
FIG. 7 is a bottom view thereof.
The broken lines in the drawing views represent unclaimed portions of a safe, which are included for the purpose of illustrating unclaimed environment only, and, forms no part of the claimed design.

1 Claim, 4 Drawing Sheets



(56)

References Cited

U.S. PATENT DOCUMENTS

D728,189	S	4/2015	Suggs et al.	
D742,639	S	11/2015	Suggs et al.	
D744,715	S	12/2015	Suggs et al.	
D774,272	S	12/2016	Suggs et al.	
D799,148	S *	10/2017	Crosby	D99/28
D799,782	S *	10/2017	Crosby	D99/28
D802,872	S *	11/2017	Frischer	D99/28
D802,873	S *	11/2017	Crosby	D99/28
D811,686	S *	2/2018	Crosby	D99/28
D814,139	S *	3/2018	Newcomb	D99/28
D825,884	S *	8/2018	Moore	D99/28
D893,124	S *	8/2020	Vakili	D99/28
D893,125	S *	8/2020	Vakili	D99/28
D894,523	S *	8/2020	Vakili	D99/28
D906,625	S *	12/2020	Schneider	D99/43
D907,325	S *	1/2021	Schneider	D99/28
D909,705	S *	2/2021	Schneider	D99/43
D914,324	S *	3/2021	Schneider	D99/28
D919,225	S *	5/2021	Sheng	D99/28
D920,625	S *	5/2021	Schneider	D99/43
D929,695	S *	8/2021	Schneider	D99/43
2003/0141794	A1 *	7/2003	Cleveland	E05G 1/024 312/409

OTHER PUBLICATIONS

Safety Email Bank vault Backup, safe, angle, service png, <https://www.pngegg.com/en/png-tdzkd>, Oct. 8, 2021. (Year: 2021).*

* cited by examiner

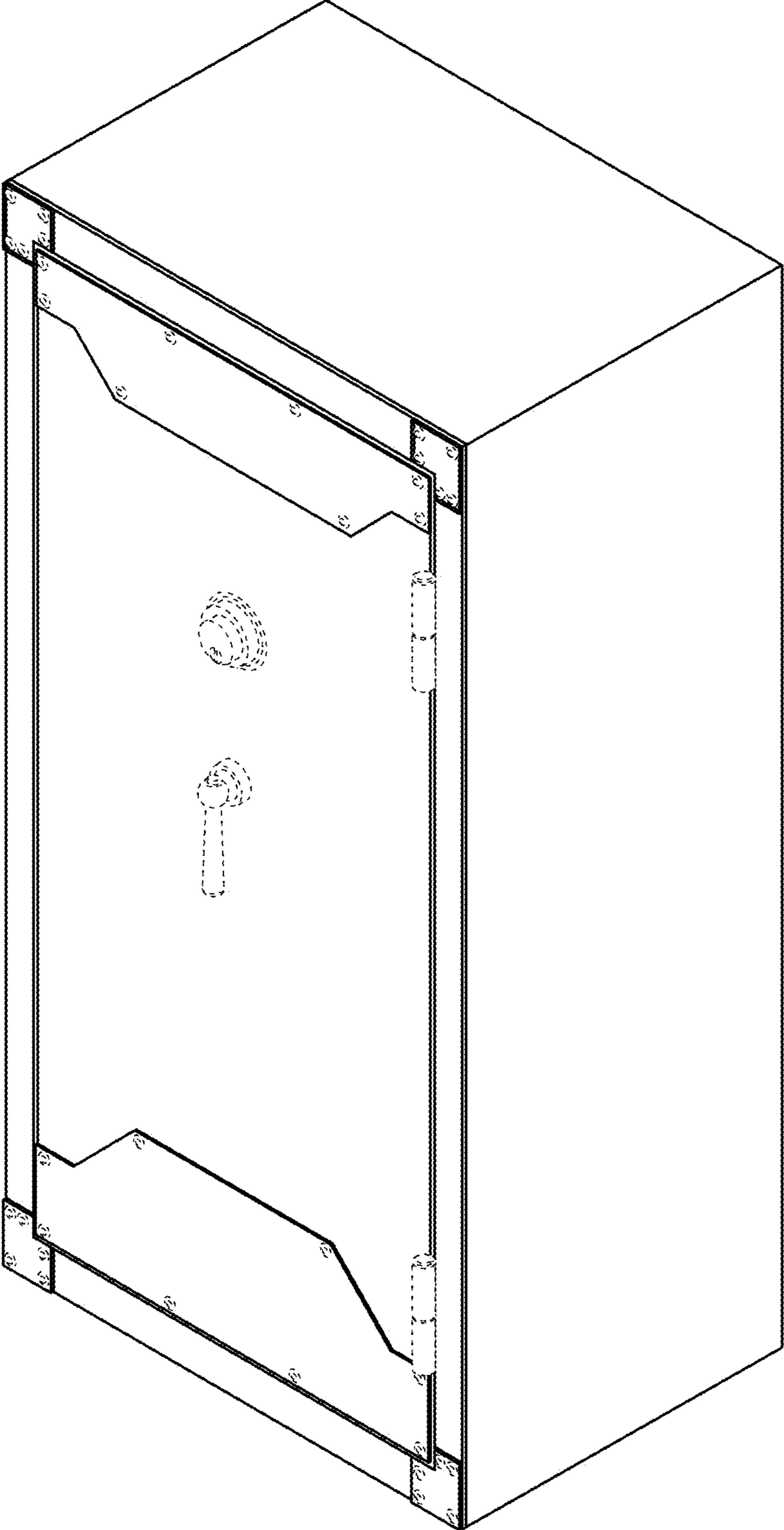


FIG. 1

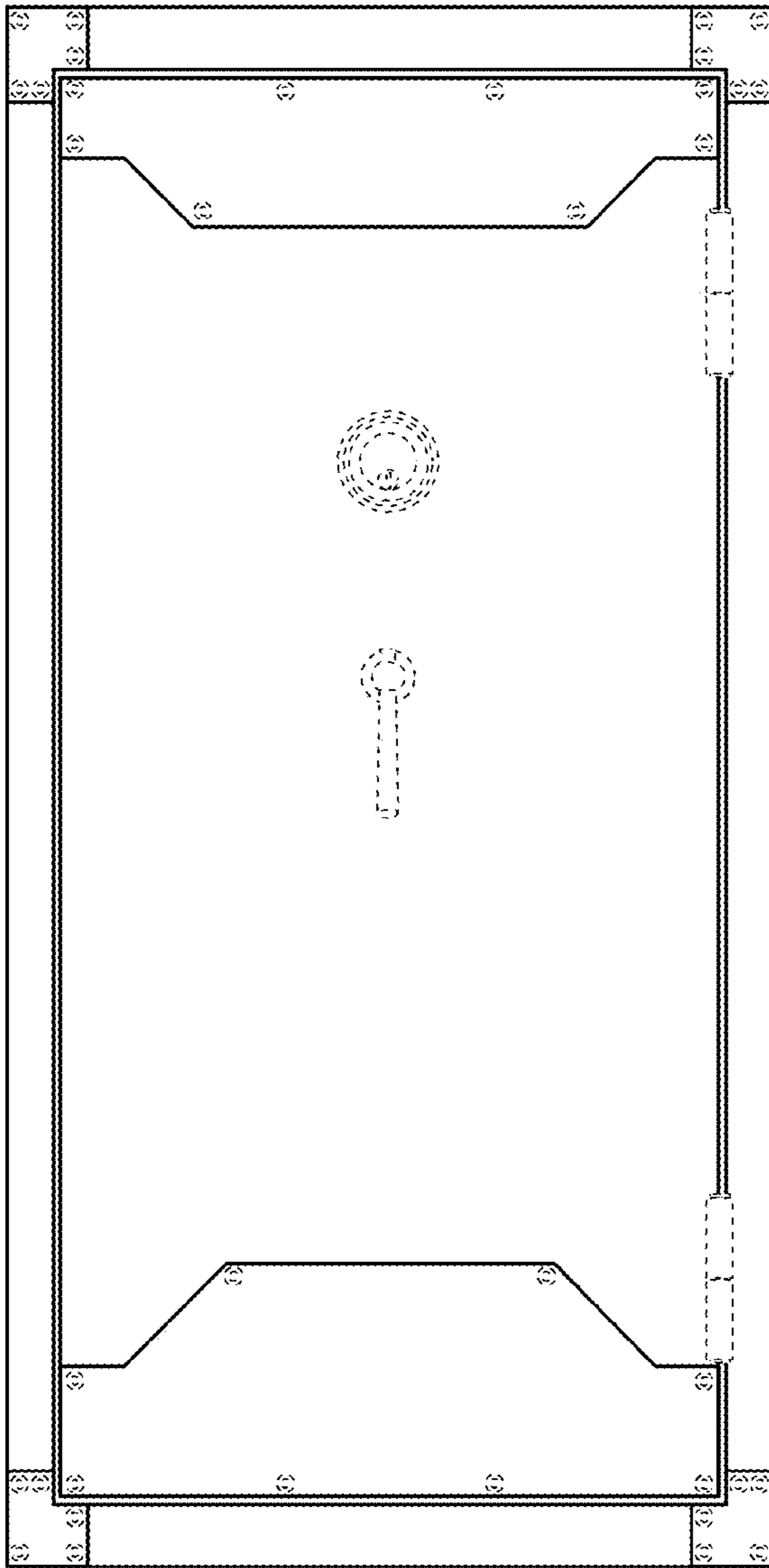


FIG. 2

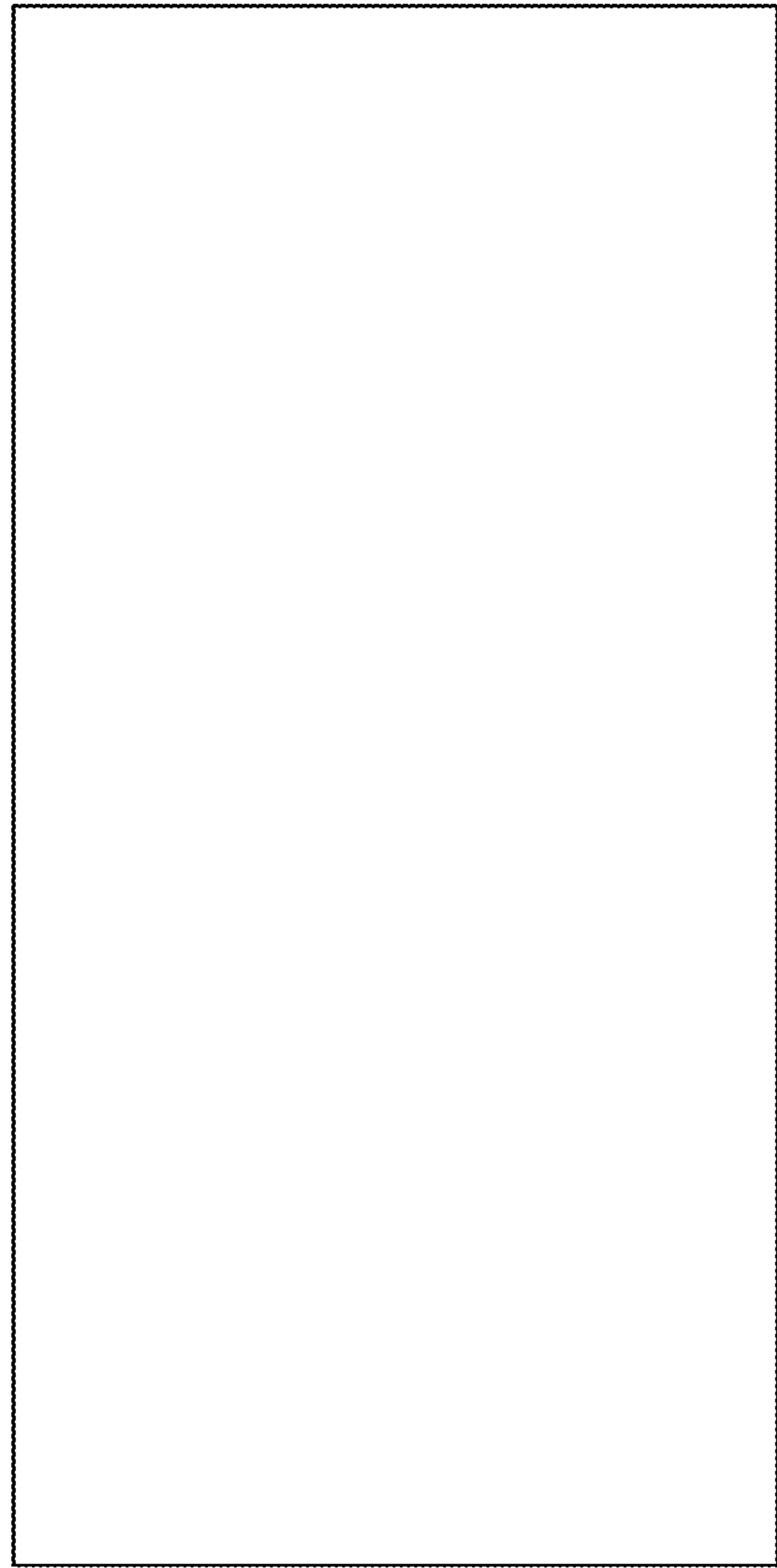


FIG. 3

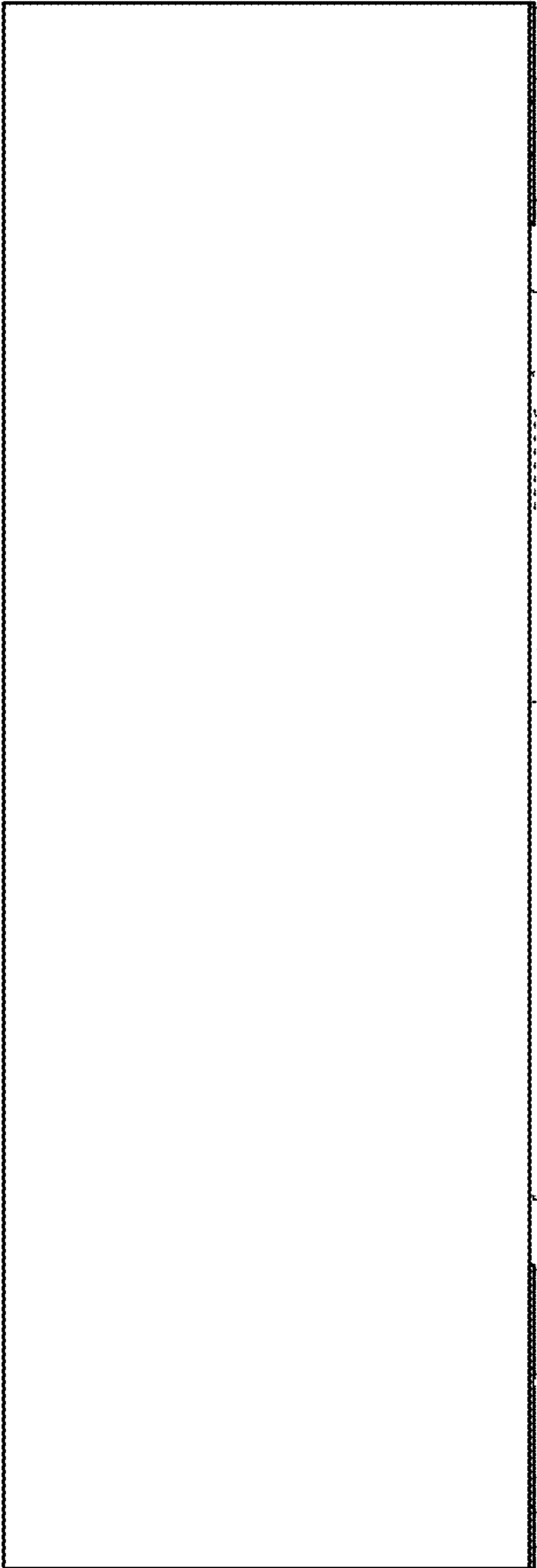


FIG. 4

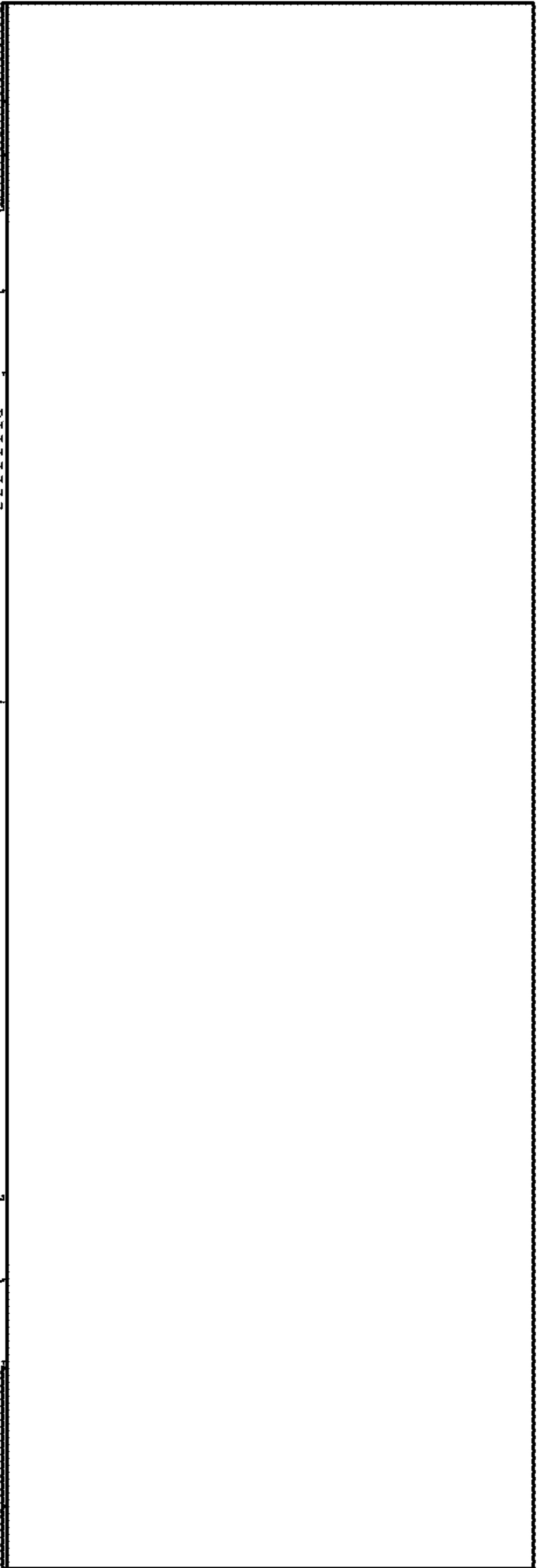


FIG. 5

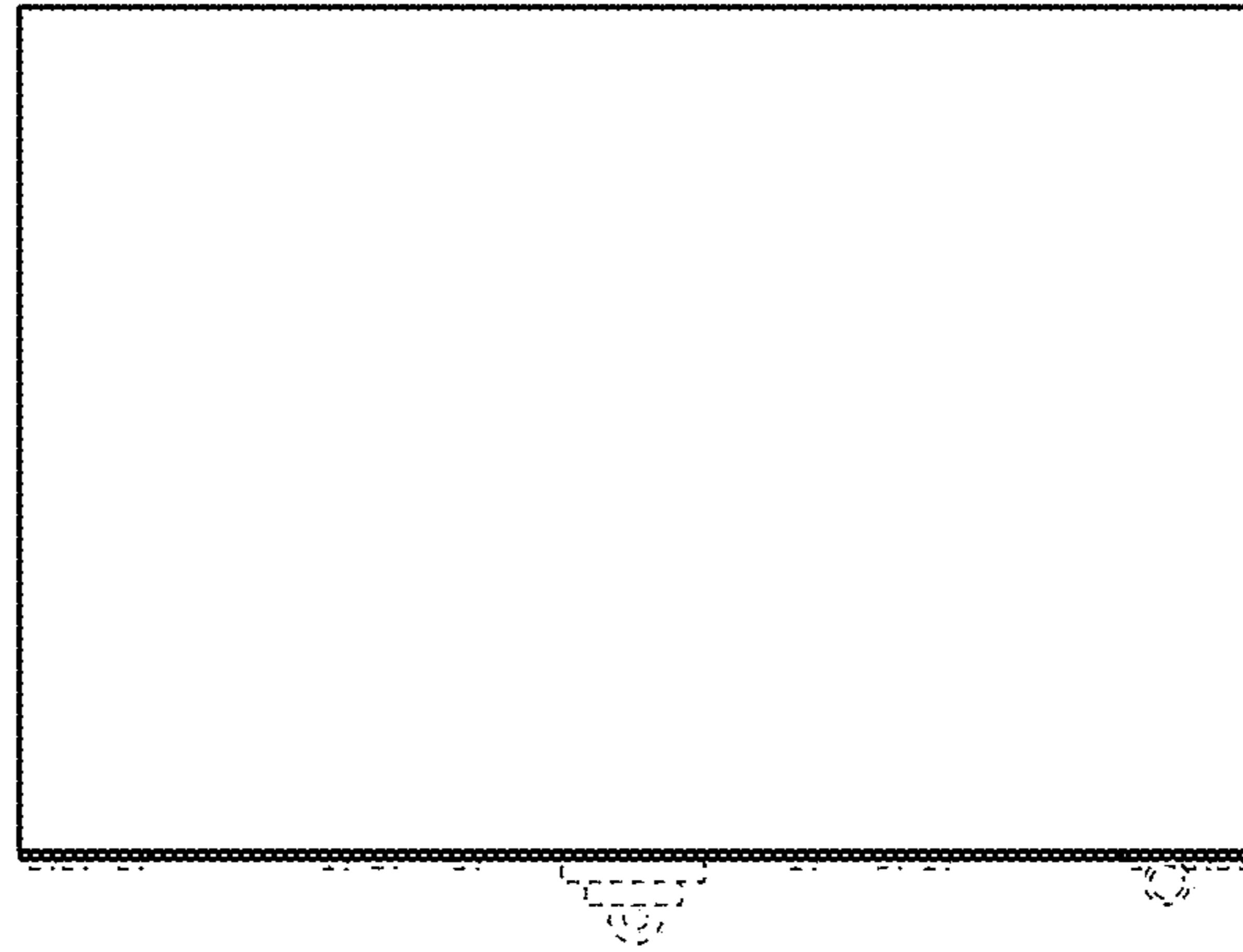


FIG. 6

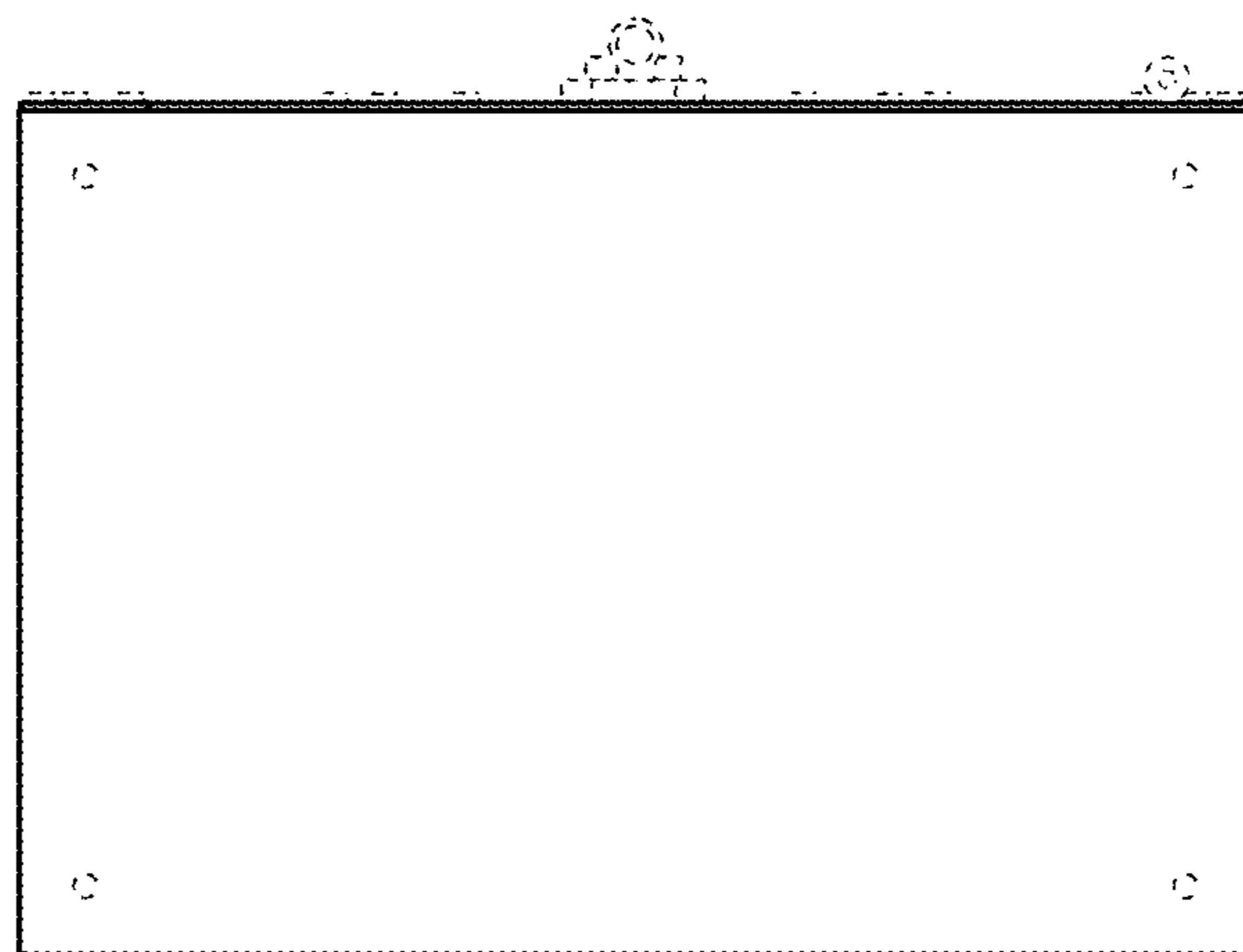


FIG. 7