



US00D952983S

(12) **United States Design Patent**
Piispanen

(10) **Patent No.:** **US D952,983 S**

(45) **Date of Patent:** **** May 24, 2022**

(54) **HOOK BLOCK**
(71) Applicant: **Konecranes Global Corporation,**
Hyvinkää (FI)
(72) Inventor: **Tatu Piispanen,** Hyvinkää (FI)
(73) Assignee: **KONECRANES GLOBAL**
CORPORATION, Hyvinkää (FI)

(**) Term: **15 Years**
(21) Appl. No.: **29/728,077**
(22) Filed: **Mar. 16, 2020**

(30) **Foreign Application Priority Data**

Sep. 17, 2019 (EM) 006875217

(51) **LOC (13) Cl.** **12-05**

(52) **U.S. Cl.**
USPC **D34/35**

(58) **Field of Classification Search**
USPC D34/28, 32, 33, 35
CPC B66C 1/34; B66C 1/36; B66D 1/14; B66D
1/38; B66D 1/28; B66D 1/04; B66D
1/22; B66D 1/39; B66D 3/00; B66D
3/04; B66D 2700/028; A61G 7/1011;
A61G 7/1017; A61G 7/1046; A61G
7/1021; A61G 5/1059; A61G 5/0858
See application file for complete search history.

(56) **References Cited**

U.S. PATENT DOCUMENTS

2,925,298 A * 2/1960 Robins B66C 1/34
294/82.1
3,531,089 A * 9/1970 Harding B66D 3/04
254/409

6,305,669 B1 * 10/2001 Harken B63H 9/10
254/412
6,991,275 B2 * 1/2006 Zollondz B66C 1/34
294/82.15
D542,505 S * 5/2007 Alba D34/35
7,946,560 B2 * 5/2011 Drent B66D 3/06
254/393
D671,293 S * 11/2012 Fredriksson D34/35
8,608,215 B2 * 12/2013 Passmann B66C 1/34
294/82.1
D759,337 S * 6/2016 Kearney D34/35
9,950,904 B2 * 4/2018 Kosuga B66D 3/22
10,662,041 B2 * 5/2020 Boos B66C 1/34
D910,962 S * 2/2021 Franta D34/35
2004/0195554 A1 * 10/2004 Renton B63B 21/04
254/390
2016/0152452 A1 * 6/2016 Barnet B63B 21/04
254/390

* cited by examiner

Primary Examiner — Cynthia Ramirez

(74) *Attorney, Agent, or Firm* — Leason Ellis LLP

(57) **CLAIM**

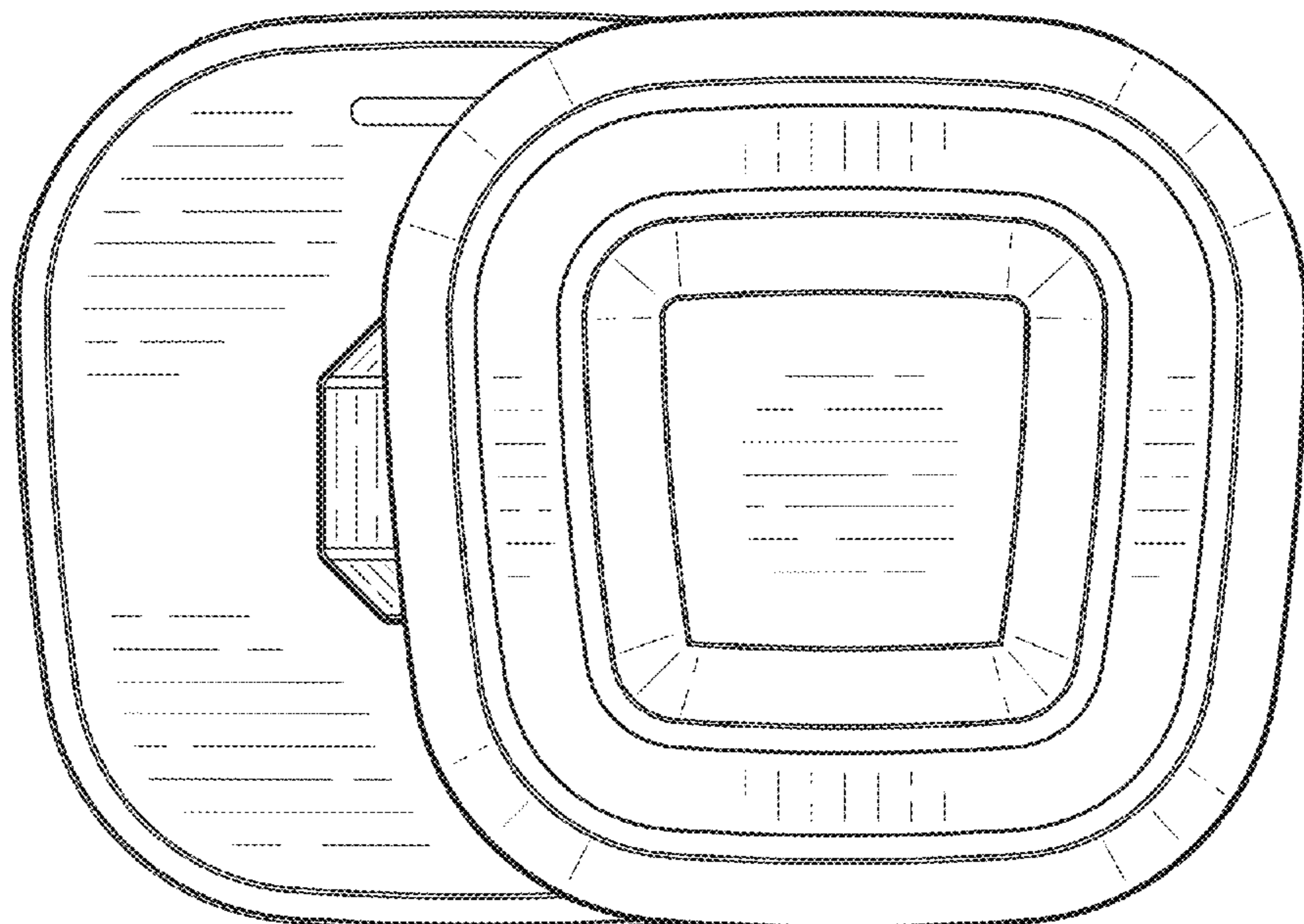
The ornamental design for a hook block, as shown and described.

DESCRIPTION

FIG. 1 is a rear view of my hook block according to my new design;
FIG. 2 is a bottom view thereof;
FIG. 3 is a front view thereof;
FIG. 4 is a top perspective view thereof;
FIG. 5 is a bottom perspective view thereof;
FIG. 6 is a left-side view thereof;
FIG. 7 is a right-side view thereof; and,
FIG. 8 is a top view thereof.

The broken lines in the figures show portions of the hook block, which form no part of the claimed design.

1 Claim, 8 Drawing Sheets



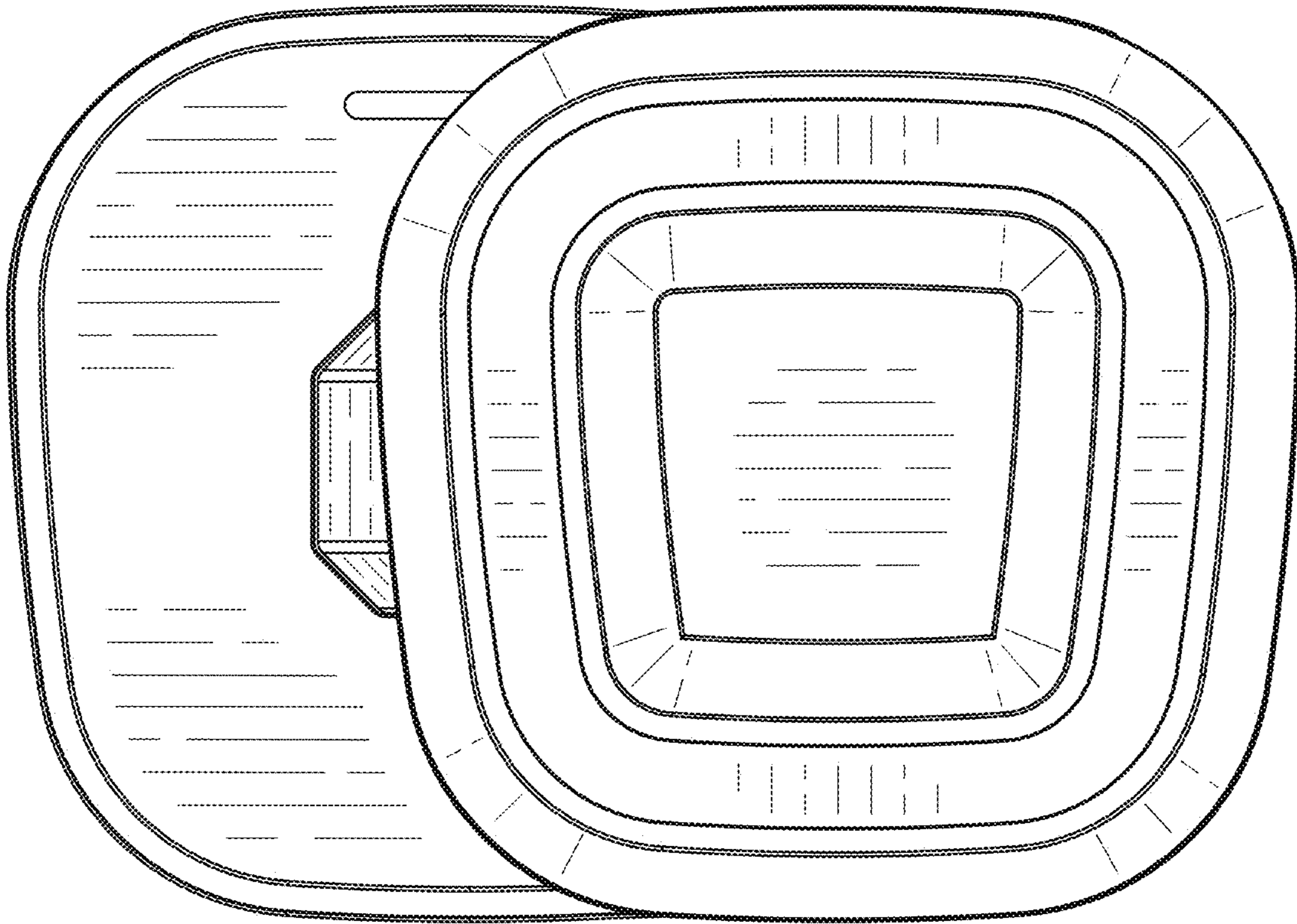


FIG. 1

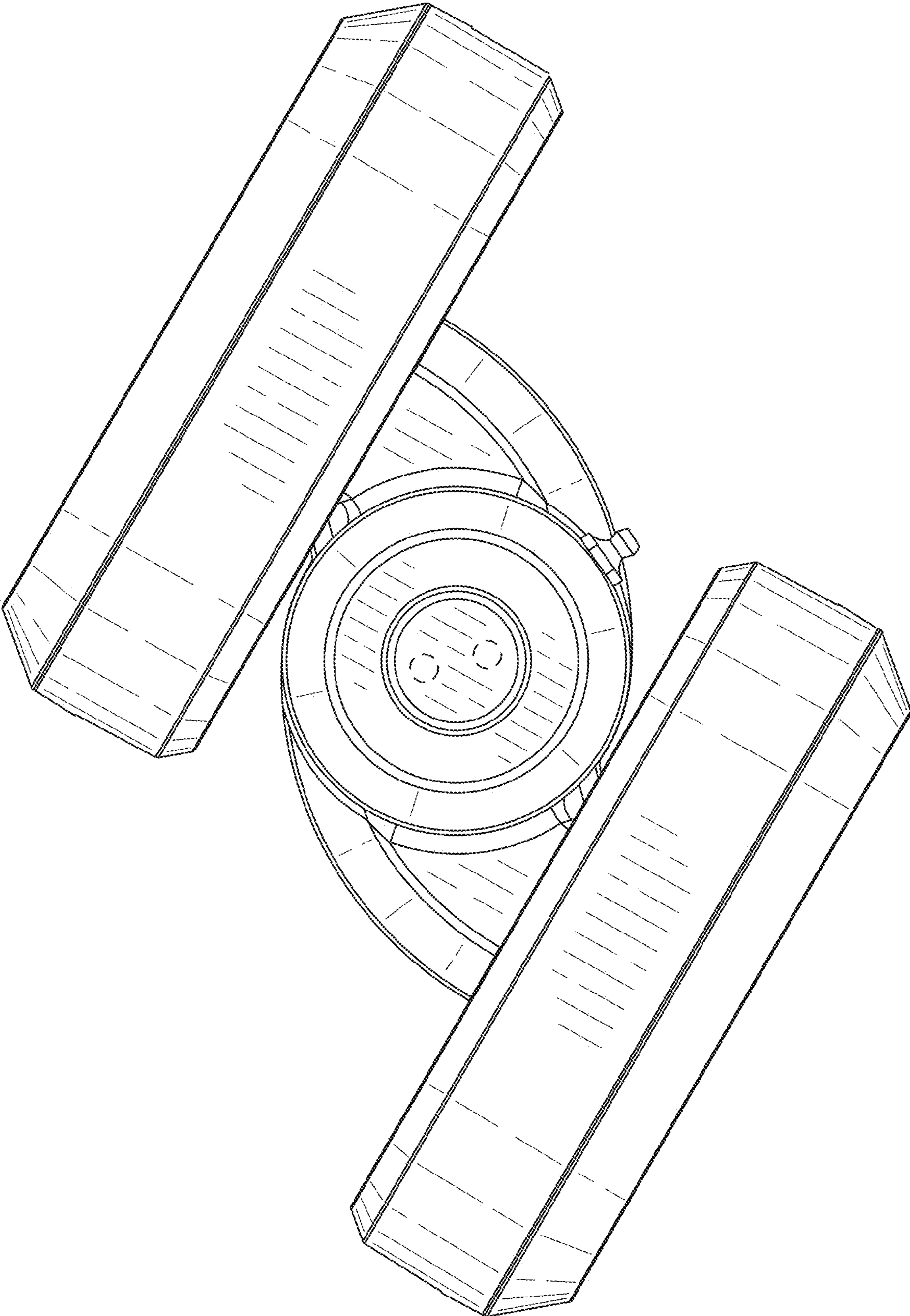


FIG. 2

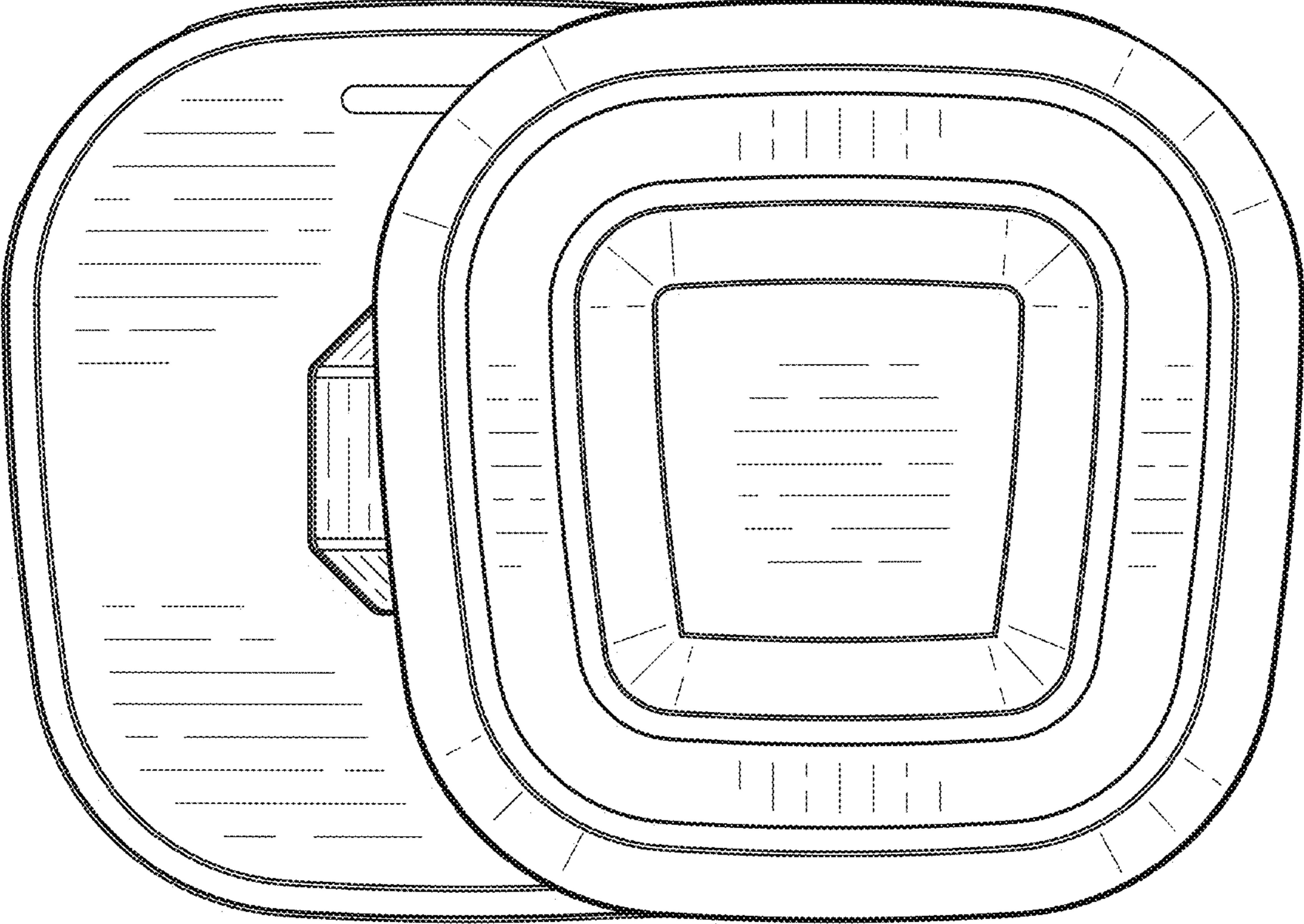


FIG. 3

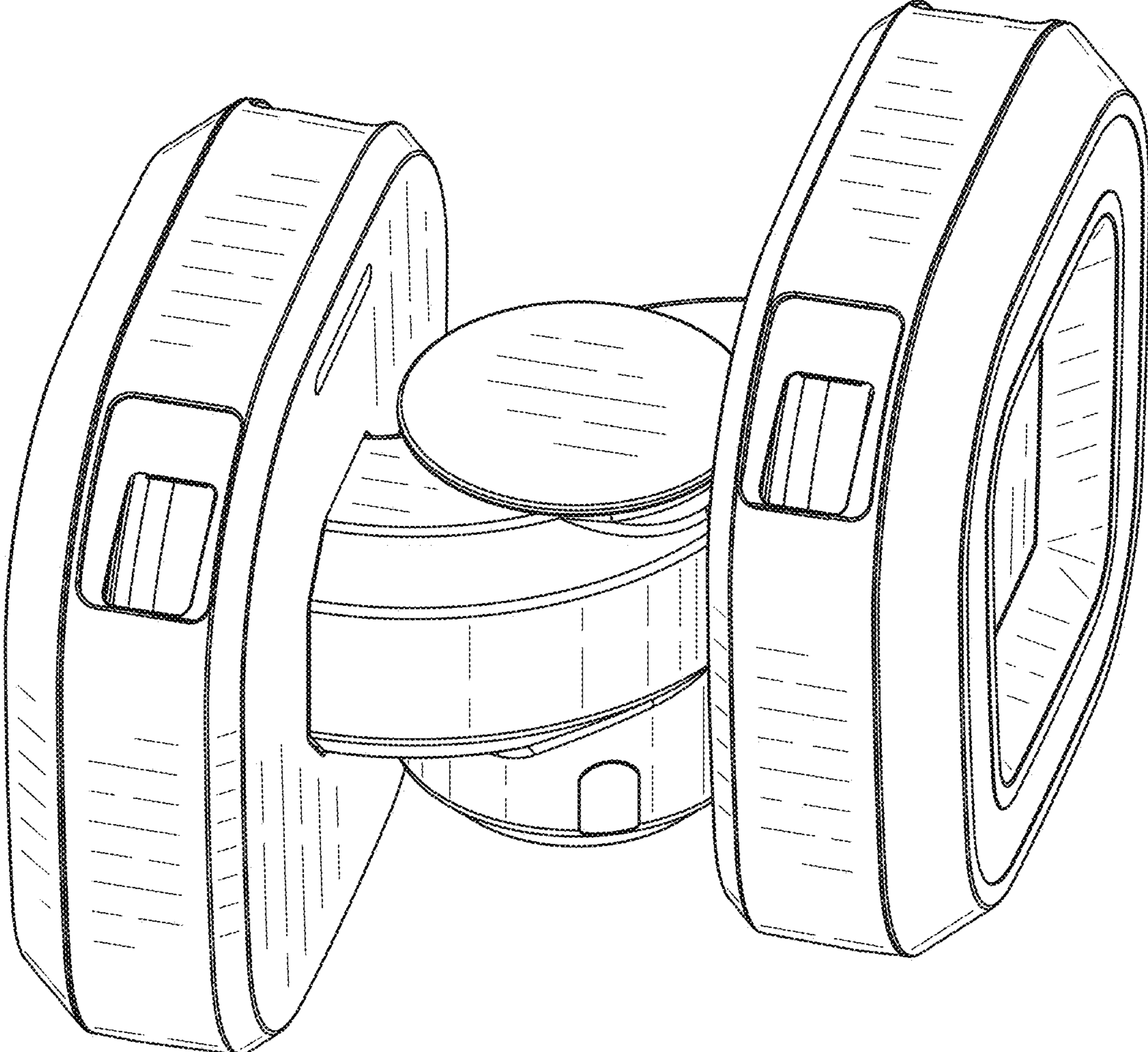


FIG. 4

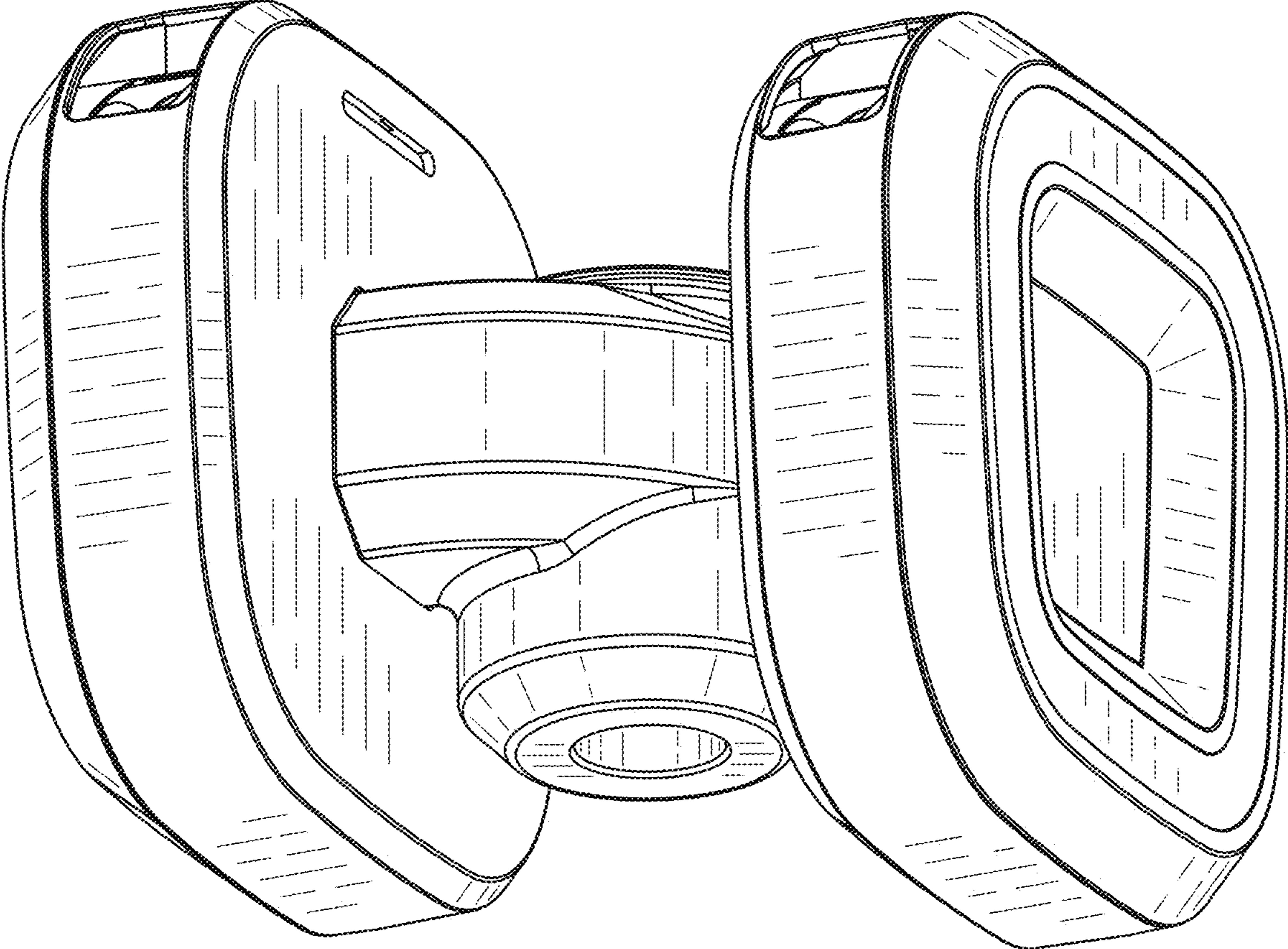


FIG. 5

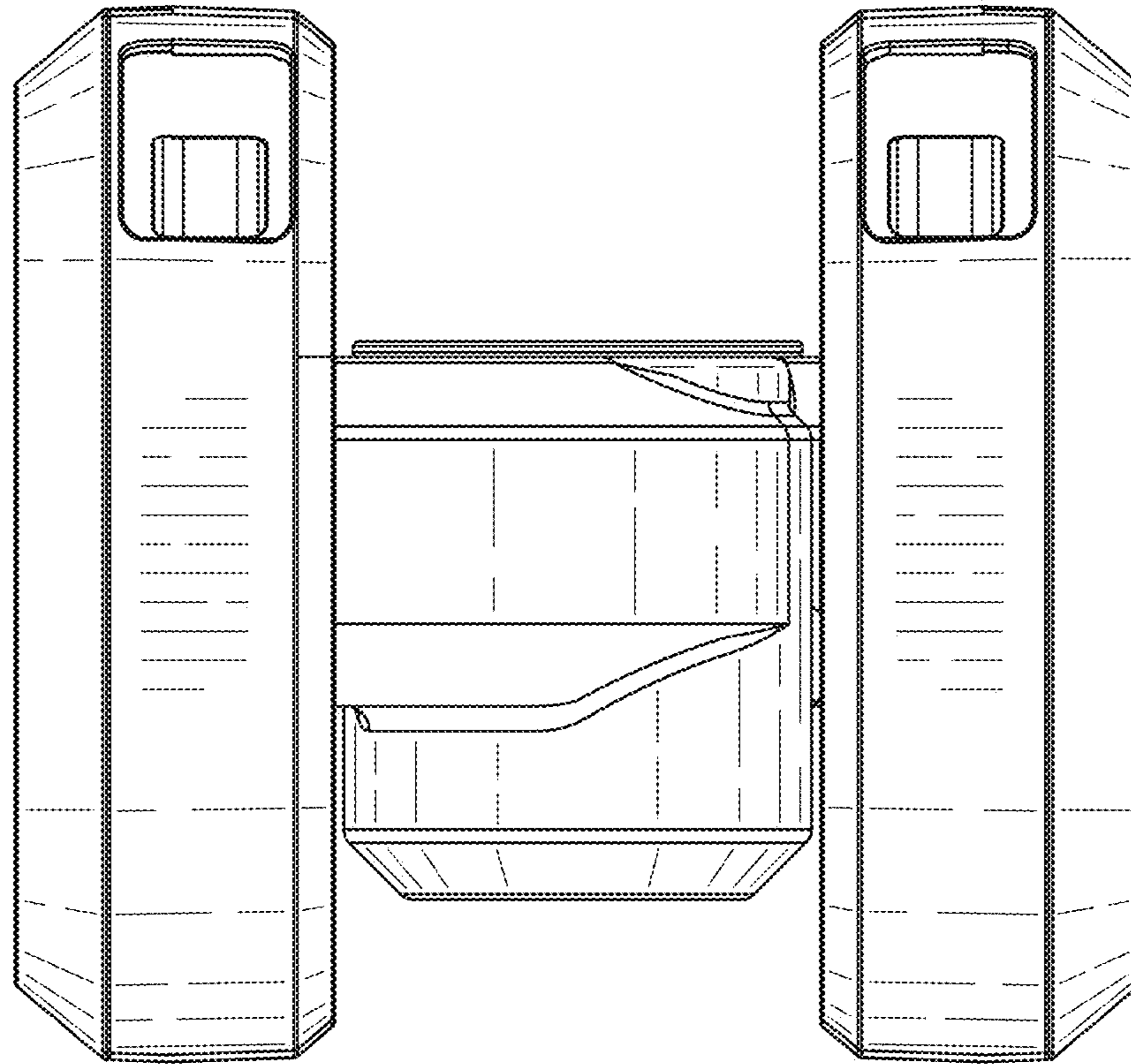


FIG. 6

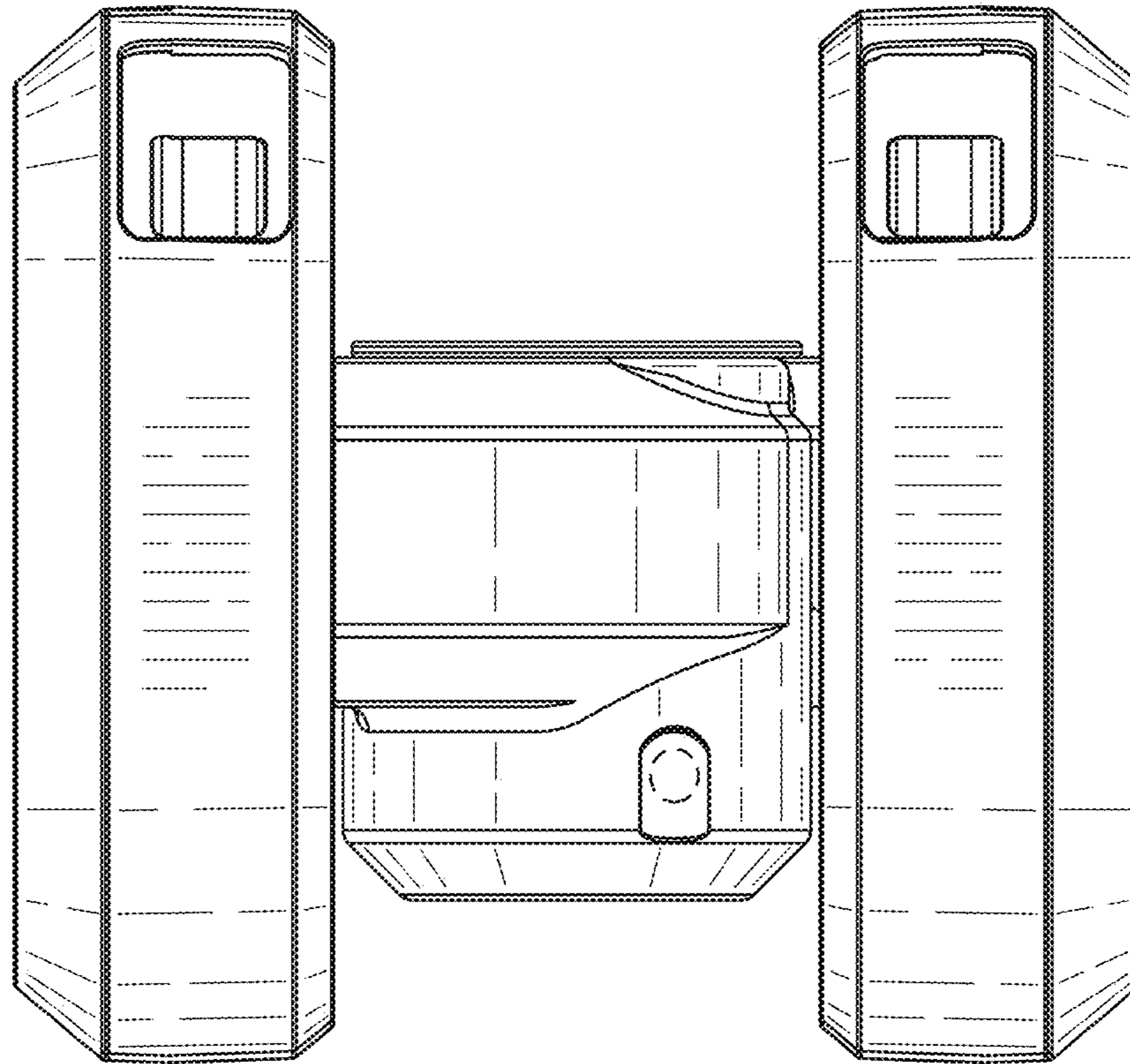


FIG. 7

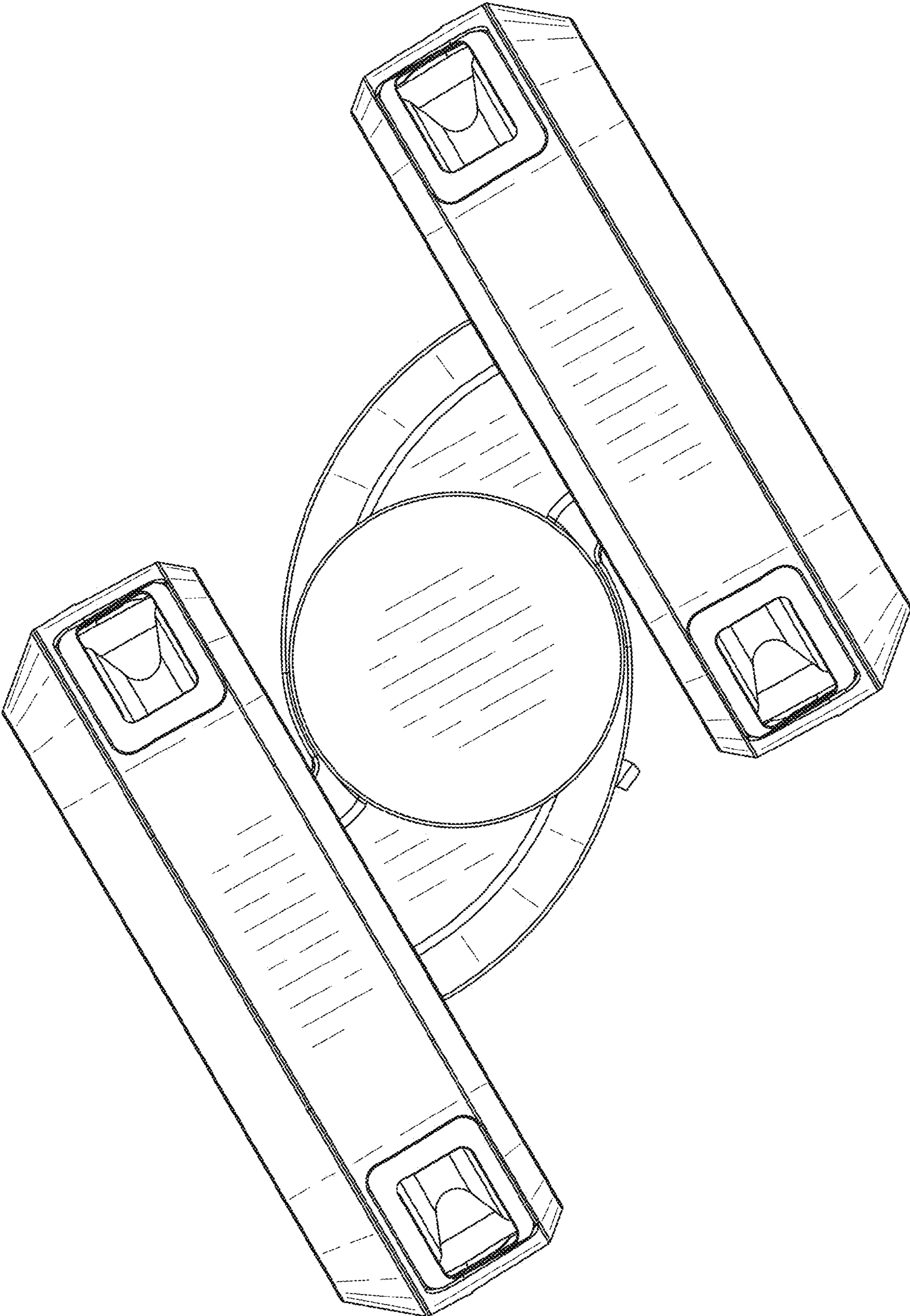


FIG. 8