



US00D952982S

(12) **United States Design Patent**
Nash

(10) **Patent No.:** **US D952,982 S**
(45) **Date of Patent:** **** May 24, 2022**

(54) **VERTICAL PLATFORM LIFT**

FOREIGN PATENT DOCUMENTS

(71) Applicant: **Harmar Mobility, LLC**, Sarasota, FL
(US)

CN 101648663 B 9/2011
KR 2012051358 5/2012

(72) Inventor: **Derek J. Nash**, Bradenton, FL (US)

OTHER PUBLICATIONS

(73) Assignee: **Harmar Mobility, LLC**, Sarasota, FL
(US)

Harmar VPL, announced 2020 [online], [site visited Nov. 3, 2020].
Available from internet, URL: <https://harmar.com/home-lifts/rpl/>
(Year: 2020).*

(**) Term: **15 Years**

(Continued)

(21) Appl. No.: **29/705,635**

Primary Examiner — Kevin K Rudzinski

(22) Filed: **Sep. 13, 2019**

Assistant Examiner — Tamara L Hahn

(51) **LOC (13) Cl.** **12-05**

(74) *Attorney, Agent, or Firm* — Banner & Witcoff, Ltd.

(52) **U.S. Cl.**

USPC **D34/28**

(57) **CLAIM**

(58) **Field of Classification Search**

USPC D34/1, 2, 3, 4, 5, 6, 7, 8, 9, 10, 11, 23,
D34/24, 25, 26, 27, 28, 29, 30, 31, 32,
D34/33, 34, 35; D9/737, 738, 770, 772,
D9/777, 778, 743, 744, 745

The ornamental design for a vertical platform lift, as shown
and described.

CPC B66B 9/00; B66B 9/0869; A61G 3/00;
A61G 3/03; A61G 3/06; A61G 3/063;
A61G 3/065; A61G 3/062; A61G 2203/36

DESCRIPTION

See application file for complete search history.

FIG. 1 is a top, front, right perspective view of a vertical
platform lift showing my new design;
FIG. 2 is a front view thereof;
FIG. 3 is a rear view thereof;
FIG. 4 is a right side view thereof;
FIG. 5 is a left side view thereof;
FIG. 6 is a top view thereof; and,
FIG. 7 is a bottom view thereof.

(56) **References Cited**

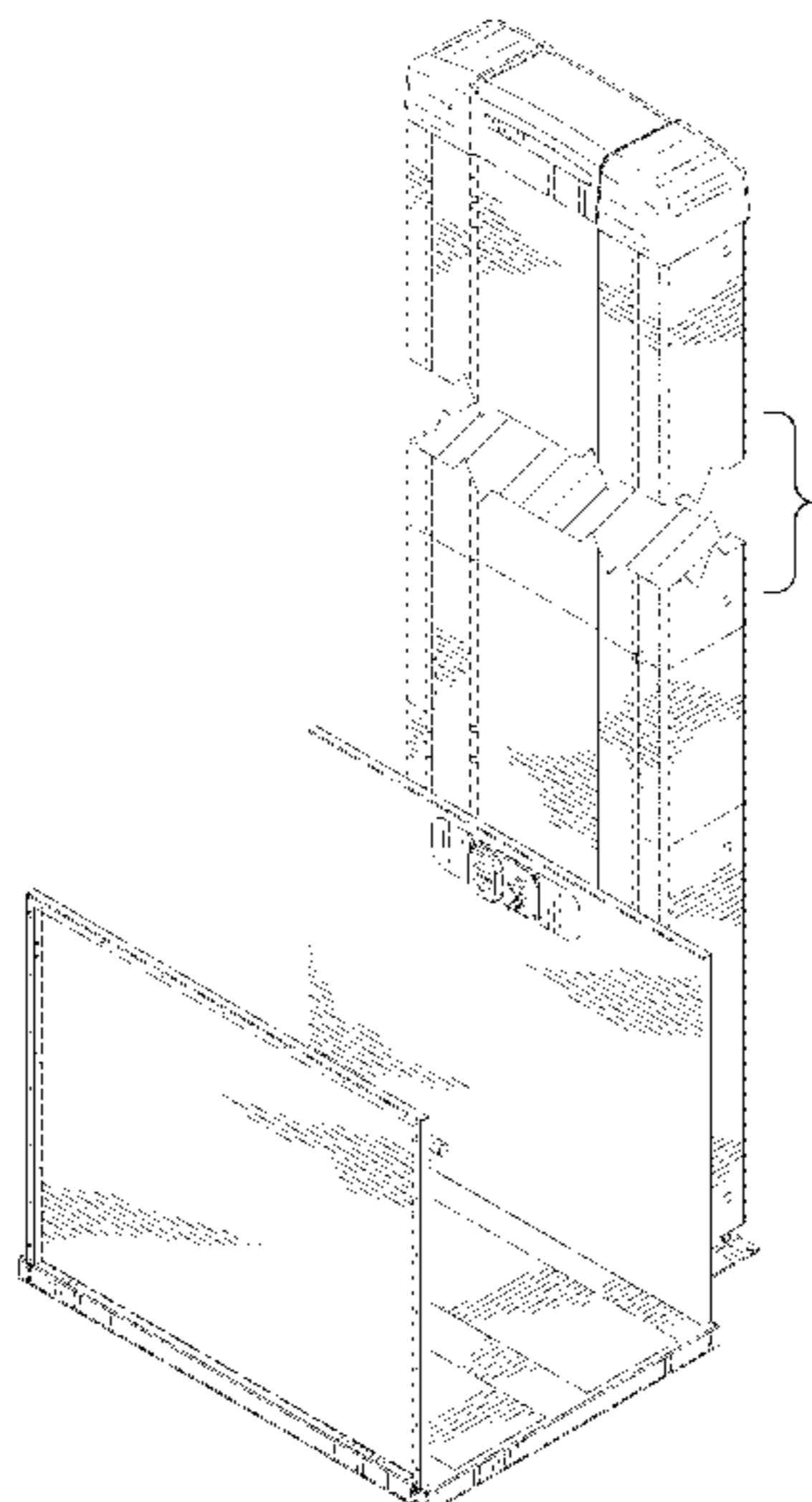
U.S. PATENT DOCUMENTS

5,141,380	A	8/1992	Kato et al.	
D331,388	S	12/1992	Dahnert et al.	
5,916,288	A	6/1999	Hartman	
6,086,314	A *	7/2000	Savaria	A61G 3/06 414/546
D546,770	S	7/2007	Herbstritt	
D563,624	S	3/2008	Kato et al.	
D578,272	S	10/2008	Kato et al.	
D578,273	S	10/2008	Kato et al.	
D635,101	S	3/2011	Farrow	
D820,220	S	6/2018	Kato et al.	
D859,775	S *	9/2019	Nilsson	D34/34
10,421,609	B2	9/2019	Otto et al.	

The broken lines immediately adjacent to the shaded areas
define the bounds of the claimed design and form no part
thereof. The broken lines depicting the remainder of the
vertical platform lift show features that form no part of the
claimed design. The vertical platform lift is shown with
symbolic breaks in its length. The appearance of any portion
of the article between the break lines forms no part of the
claimed design.

(Continued)

1 Claim, 6 Drawing Sheets



(56)

References Cited

U.S. PATENT DOCUMENTS

D874,081 S * 1/2020 De Jong B66F 7/20
 D34/28
 D891,023 S * 7/2020 Wenjing D34/34
 2007/0137944 A1 * 6/2007 Lam A61G 3/063
 187/267
 2008/0060880 A1 * 3/2008 Finkbeiner B66F 3/36
 187/237
 2015/0272799 A1 * 10/2015 Tiffin A61G 7/1005
 4/496
 2018/0002140 A1 * 1/2018 Creel, Jr. B66B 5/0087
 2018/0111809 A1 * 4/2018 Rodenburg B66F 9/0759
 2021/0078822 A1 * 3/2021 Nash B66B 9/00
 2021/0078824 A1 * 3/2021 Nash B66B 9/08

OTHER PUBLICATIONS

Trus-T Lift, announced 2020 [online], [site visited Nov. 3, 2020].
 Available from internet, URL: <https://assisted-lifting.com/products/trus-t-lift-residential-wheelchair-lift> (Year: 2020).*

Freedom Lift, announced 2020 [online], [site visited Nov. 3, 2020].
 Available from internet, URL: <https://www.freedomliftsystems.com/APFLR400STRLAL> (Year: 2020).*

AmeriGlide, announced 2020 [online], [site visited Nov. 3, 2020].
 Available from internet, URL: <https://www.ameriglide.com/item/AmeriGlide-AG-HERCJR.html> (Year: 2014).*

Freedom Easy Ride II, Vertical Platform Lift, Owner;s Manual,
 FREEDOMLiftSystems by Accessibility Professionals, Apr. 10,
 2020, 24 pgs., https://www.freedomliftsystems.com/APFVPLR400STRLAL?gclid=EAIaIQobChMlp6vsoc_Y7wIvkljCh1_kAA5EAQYAIAABEGKNO_D_BwE.

Oct. 26, 2021—(CA) OA—App. No. 3092851.

Oct. 25, 2021—(CA) OA—App. No. 3092980.

* cited by examiner

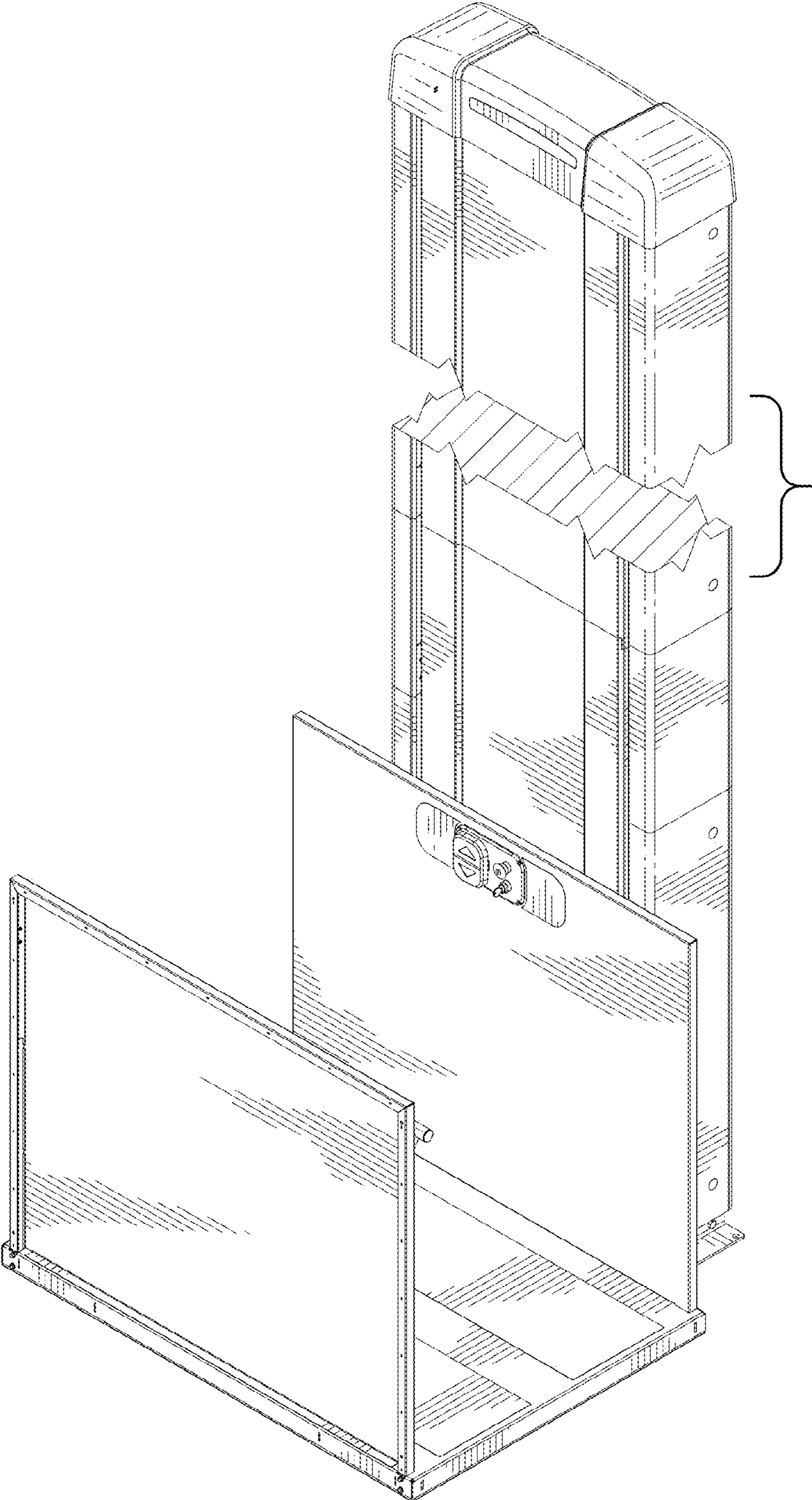


FIG. 1

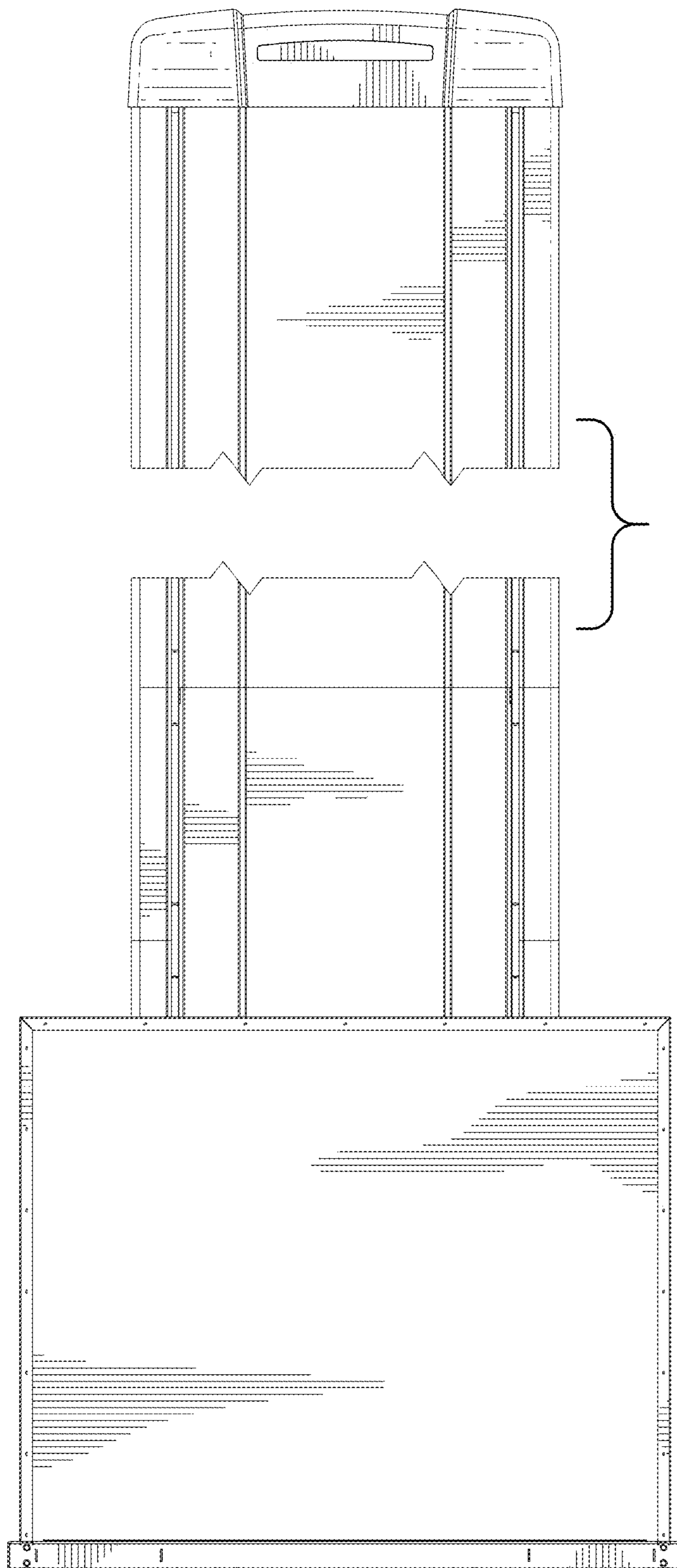


FIG. 2

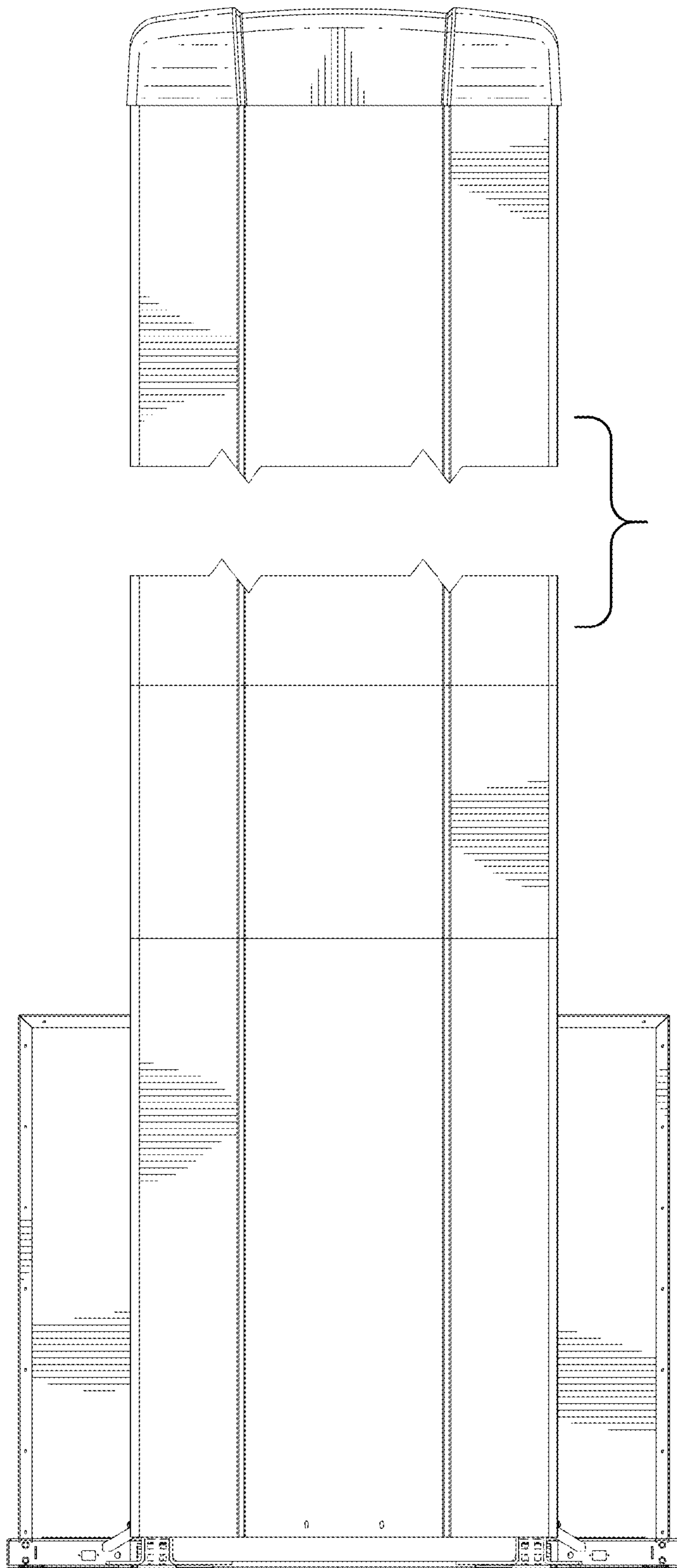


FIG. 3

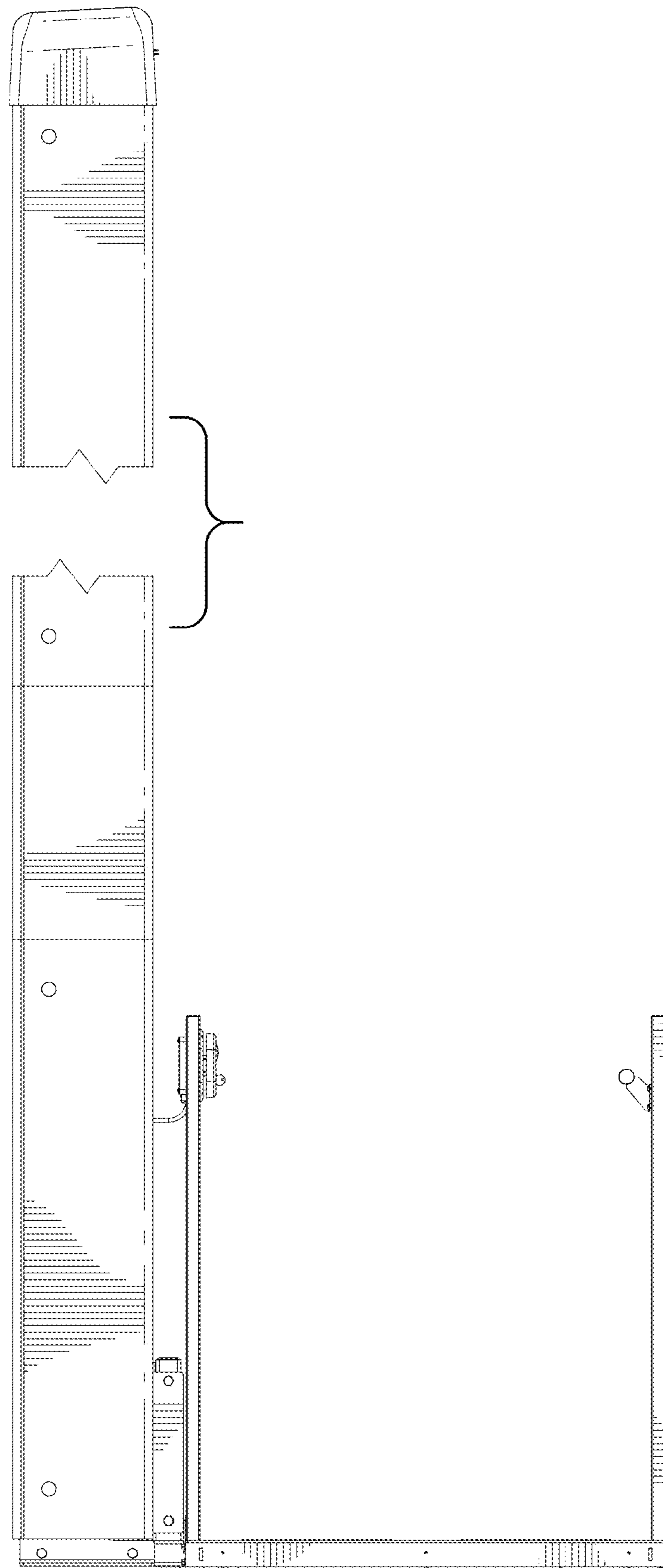


FIG. 4

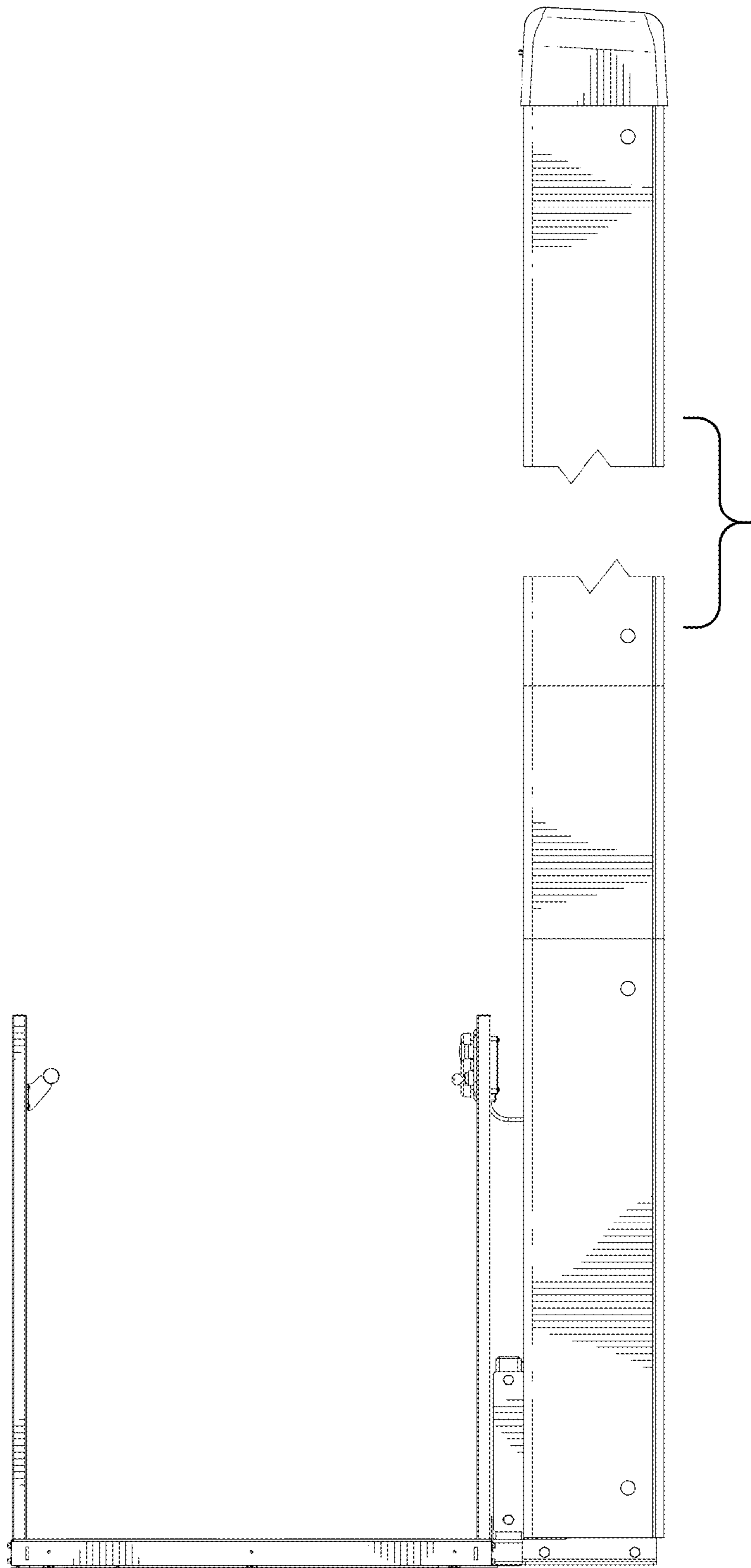


FIG. 5

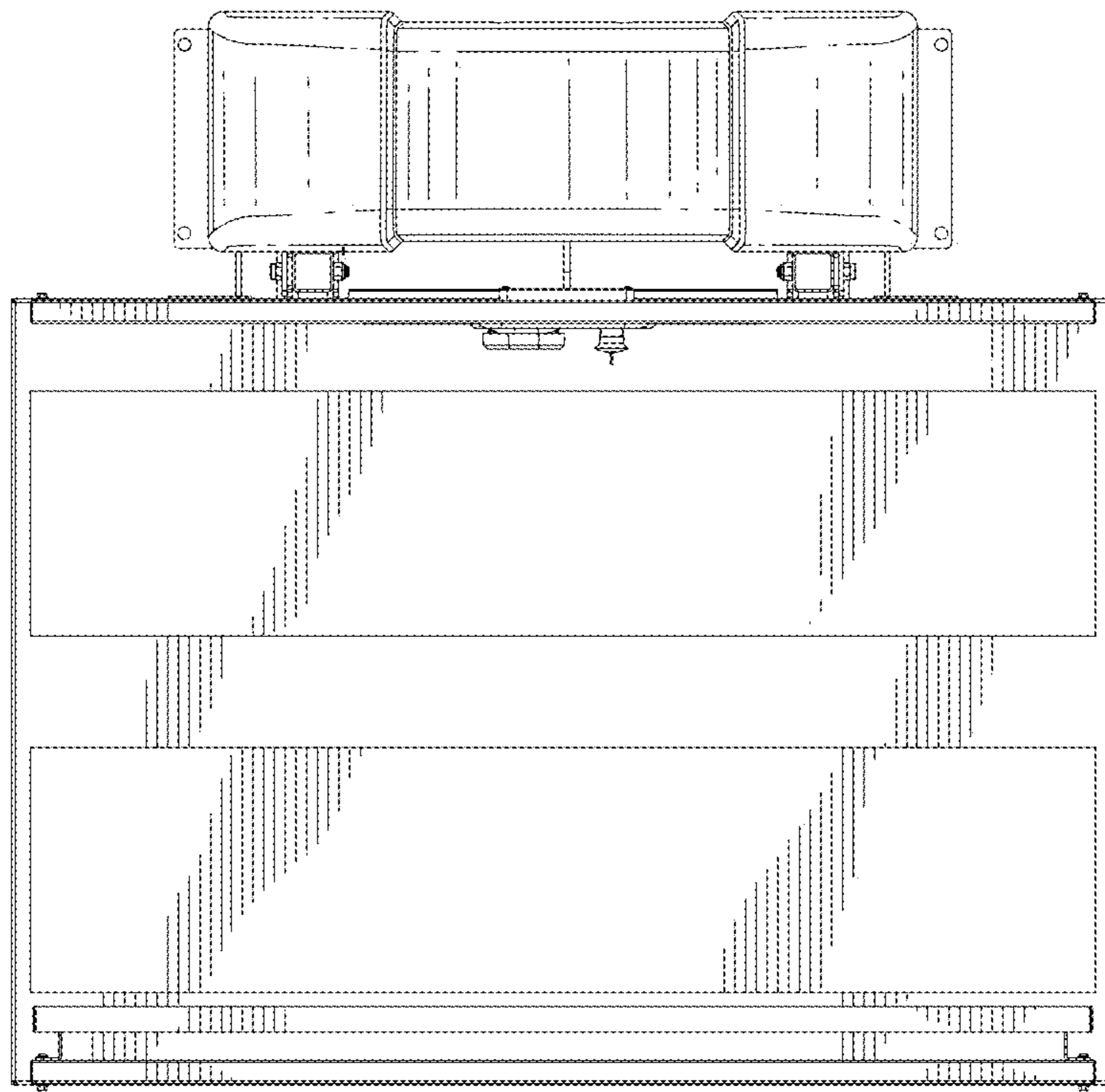


FIG. 6

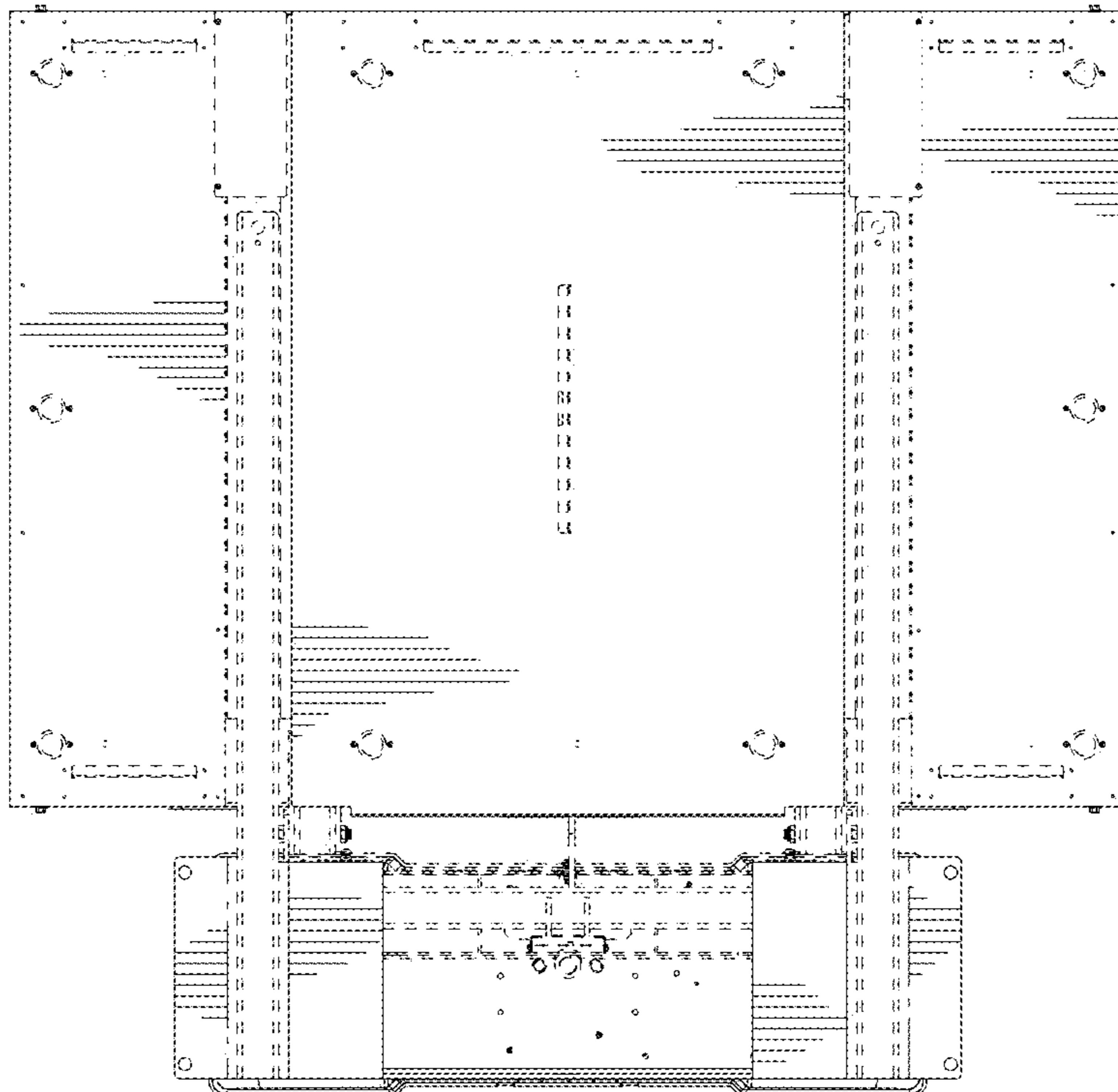


FIG. 7