



US00D952981S

(12) **United States Design Patent** (10) **Patent No.:** **US D952,981 S**
Voznyuk et al. (45) **Date of Patent:** **** May 24, 2022**

(54) **WASTE RECEPTACLE WITH A HANDLE**

FOREIGN PATENT DOCUMENTS

(71) Applicant: **Rubbermaid Commercial Products LLC**, Atlanta, GA (US)

EP 2062746 A1 5/2009

(72) Inventors: **Vadim Voznyuk**, Charlotte, NC (US);
Timothy Pierzynski, Apple Creek, OH (US)

OTHER PUBLICATIONS

Brute Rubbermaid trashcan, announced May 2021 [online], [site visited Dec. 3, 2021]. Available from internet, URL: <https://www.homedepot.com/p/Rubbermaid-Commercial-Products-Brute-44-Gal-Grey-Round-Vented-Wheeled-Trash-Can-2131928/315995779?source=shoppingads&locale=en-US> (Year: 2021).*

(73) Assignee: **RUBBERMAID COMMERCIAL PRODUCTS LLC**, Atlanta, GA (US)

(**) Term: **15 Years**

Primary Examiner — Cynthia Ramirez

Assistant Examiner — Tamara L Hahn

(21) Appl. No.: **29/733,315**

(74) *Attorney, Agent, or Firm* — Eversheds Sutherland (US) LLP

(22) Filed: **Apr. 30, 2020**

(51) **LOC (13) Cl.** **09-09**

(52) **U.S. Cl.**
USPC **D34/10**

(57) **CLAIM**

We claim the ornamental design for a waste receptacle with a handle, as shown and described.

(58) **Field of Classification Search**
USPC D34/1–11; D8/303, 315, 320
CPC B65F 1/0033; B65F 1/00; Y10S 220/908
See application file for complete search history.

DESCRIPTION

(56) **References Cited**

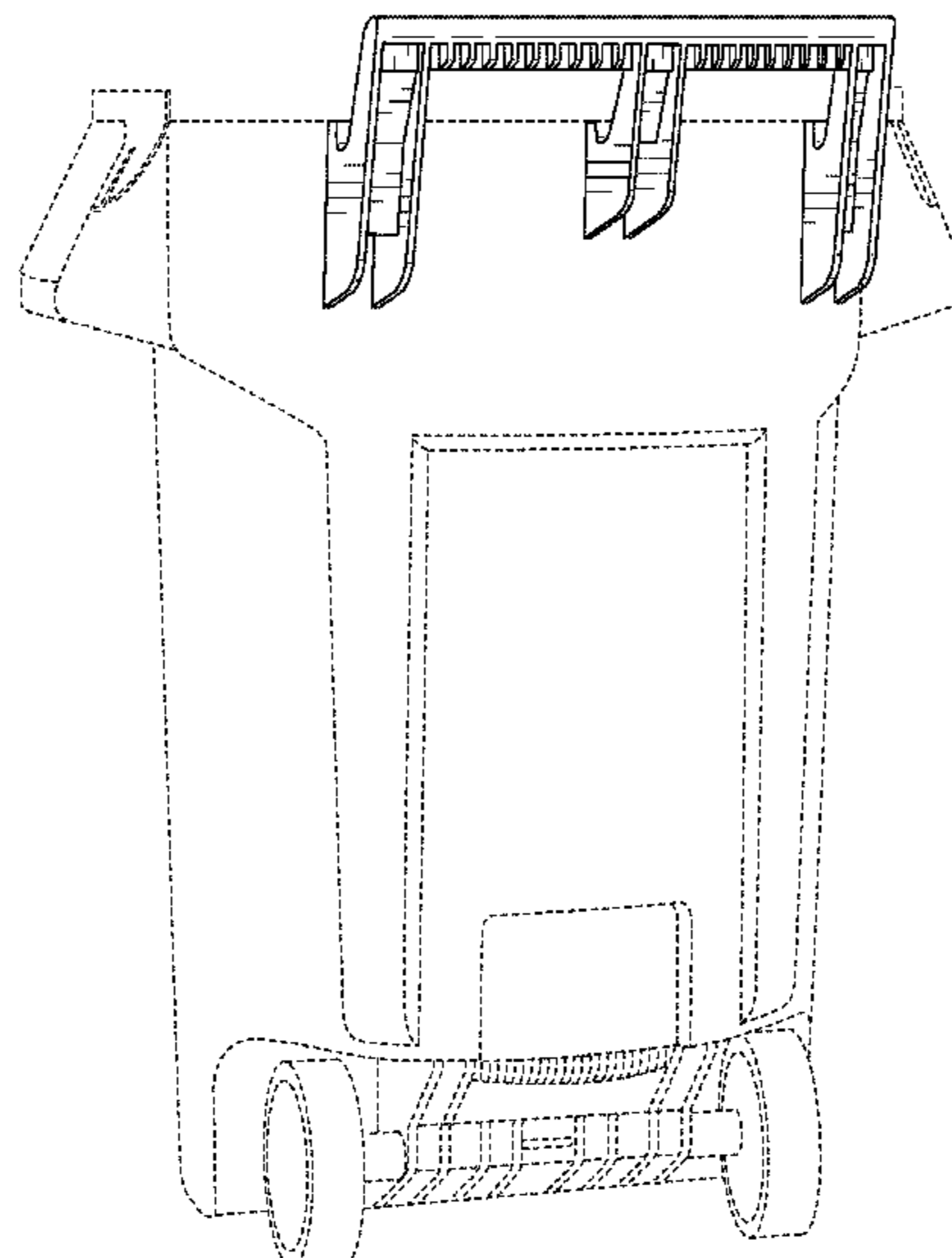
U.S. PATENT DOCUMENTS

D353,697	S *	12/1994	Breen	D34/10
6,247,500	B1	6/2001	McMahon		
6,267,754	B1	7/2001	Peters		
6,273,520	B1	8/2001	Liao		
6,280,001	B1	8/2001	Parker et al.		
6,328,320	B1	12/2001	Walski et al.		
6,361,121	B1	3/2002	Morris		
6,375,274	B1	4/2002	Morris		
6,561,593	B2	5/2003	Godwin		
D478,197	S *	8/2003	Raghunathan	D34/5
D482,836	S *	11/2003	Van Lanningham, Jr.	D34/27
6,666,526	B1	12/2003	Cummins		
6,886,893	B1	5/2005	Fisch et al.		
6,908,123	B2	6/2005	Le		
6,910,742	B2	6/2005	Flood et al.		
6,938,964	B2	9/2005	Flood et al.		

FIG. 1 is a rear perspective view showing our new design for a waste receptacle with a handle;
FIG. 2 is a front view showing the waste receptacle with a handle of FIG. 1;
FIG. 3 is a rear view showing the waste receptacle with a handle of FIG. 1;
FIG. 4 is a top view showing the waste receptacle with a handle of FIG. 1;
FIG. 5 is a bottom view showing the waste receptacle with a handle of FIG. 1;
FIG. 6 is a left side view showing the waste receptacle with a handle of FIG. 1; and,
FIG. 7 is a right view showing the waste receptacle with a handle of FIG. 1.
In FIGS. 1 to 7, the broken lines illustrate portions of the waste receptacle with a handle that form no part of the claimed design.

(Continued)

1 Claim, 7 Drawing Sheets



(56)

References Cited

U.S. PATENT DOCUMENTS

7,070,246 B2	7/2006	Chen		9,127,795 B2	9/2015	Chan	
7,111,851 B2	9/2006	Duncan		9,352,782 B2	5/2016	Tollefsrud et al.	
D535,448 S *	1/2007	Kilduff	D34/5	9,522,707 B2	12/2016	Kern	
7,377,597 B2	5/2008	Morris		9,636,949 B2	5/2017	Jong	
D571,070 S *	6/2008	Blanchard	D34/10	9,724,964 B2	8/2017	Morris et al.	
D577,170 S *	9/2008	Meers	D34/5	9,834,037 B2	12/2017	Carter	
7,445,297 B2	11/2008	Mercier et al.		9,849,927 B2	12/2017	Haefele	
7,712,623 B2	5/2010	Wentz et al.		9,930,821 B2	4/2018	Clifford et al.	
8,042,839 B2	10/2011	Rammhofer et al.		D825,129 S *	8/2018	Donnelly	D34/7
D657,106 S *	4/2012	Talbot Pouliot	D34/5	D826,506 S *	8/2018	Labrecque	D34/10
8,147,005 B2	4/2012	Morris		10,451,200 B2	10/2019	Morton	
8,205,892 B2	6/2012	Mackin et al.		2005/0179313 A1	8/2005	Liu	
8,444,228 B2	5/2013	Parker et al.		2006/0213572 A1	9/2006	Beaulieu	
8,590,984 B2	11/2013	Morris et al.		2017/0059078 A1	3/2017	Ryan	
D707,906 S *	6/2014	Nolet	D34/5	2017/0305190 A1	10/2017	Abramov et al.	
8,746,388 B2	6/2014	Budweil		2017/0305482 A1	10/2017	Nabeck et al.	
9,096,097 B2	8/2015	Trent, III et al.		2019/0176518 A1	6/2019	Roach et al.	
				2019/0240091 A1	8/2019	Perkins	
				2021/0339946 A1 *	11/2021	Voznyuk	B65F 1/1452

* cited by examiner

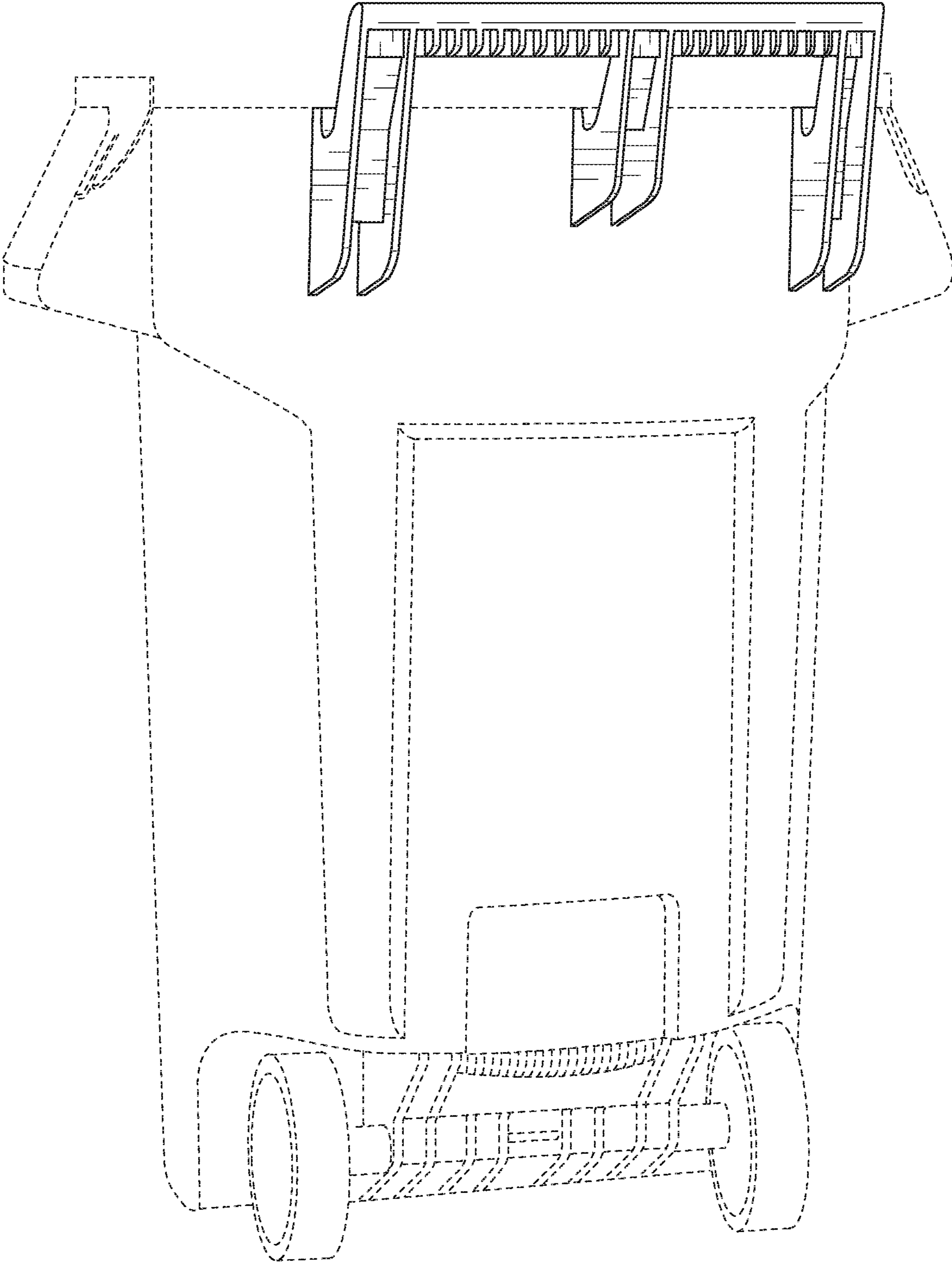


FIG. 1

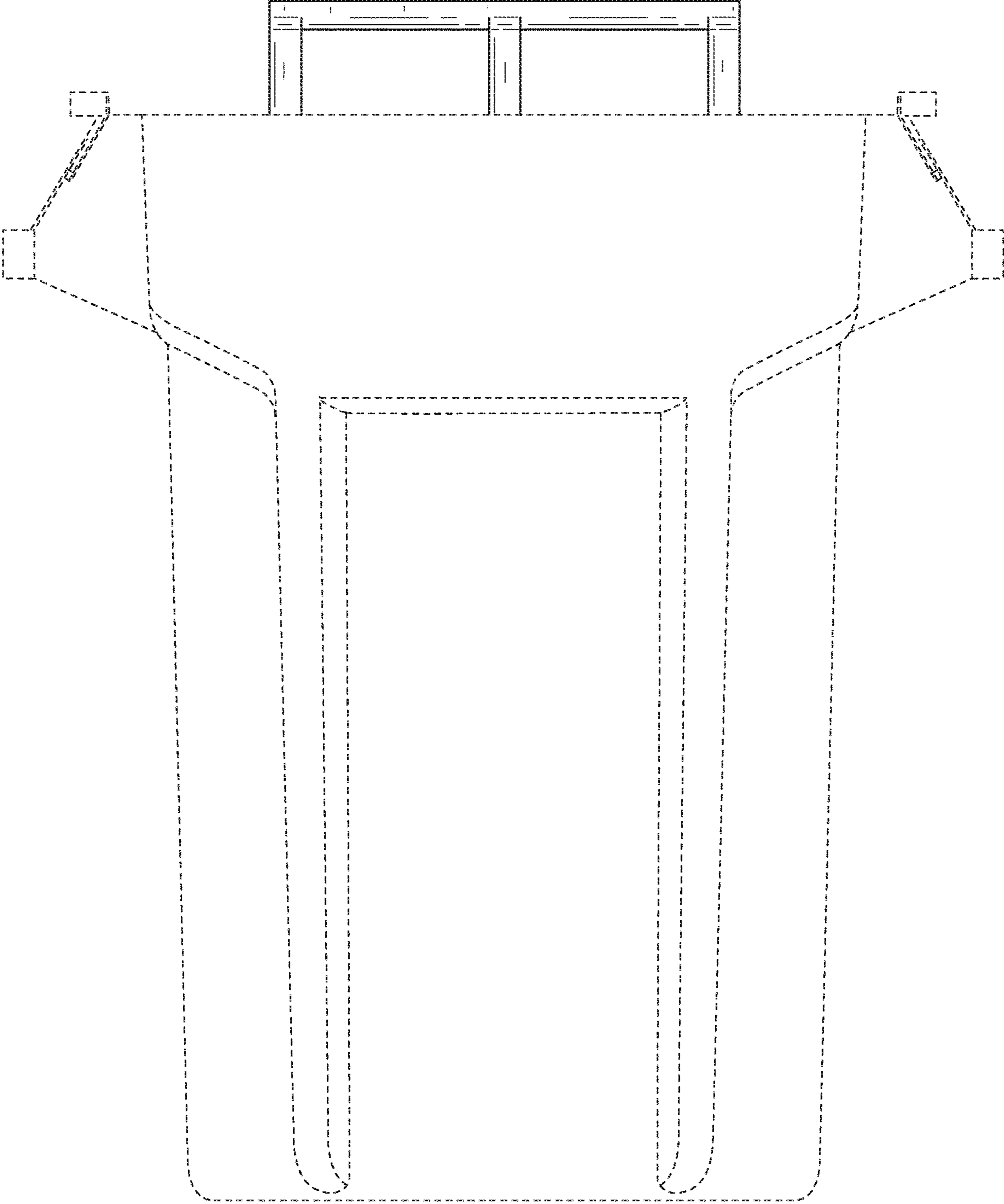


FIG. 2

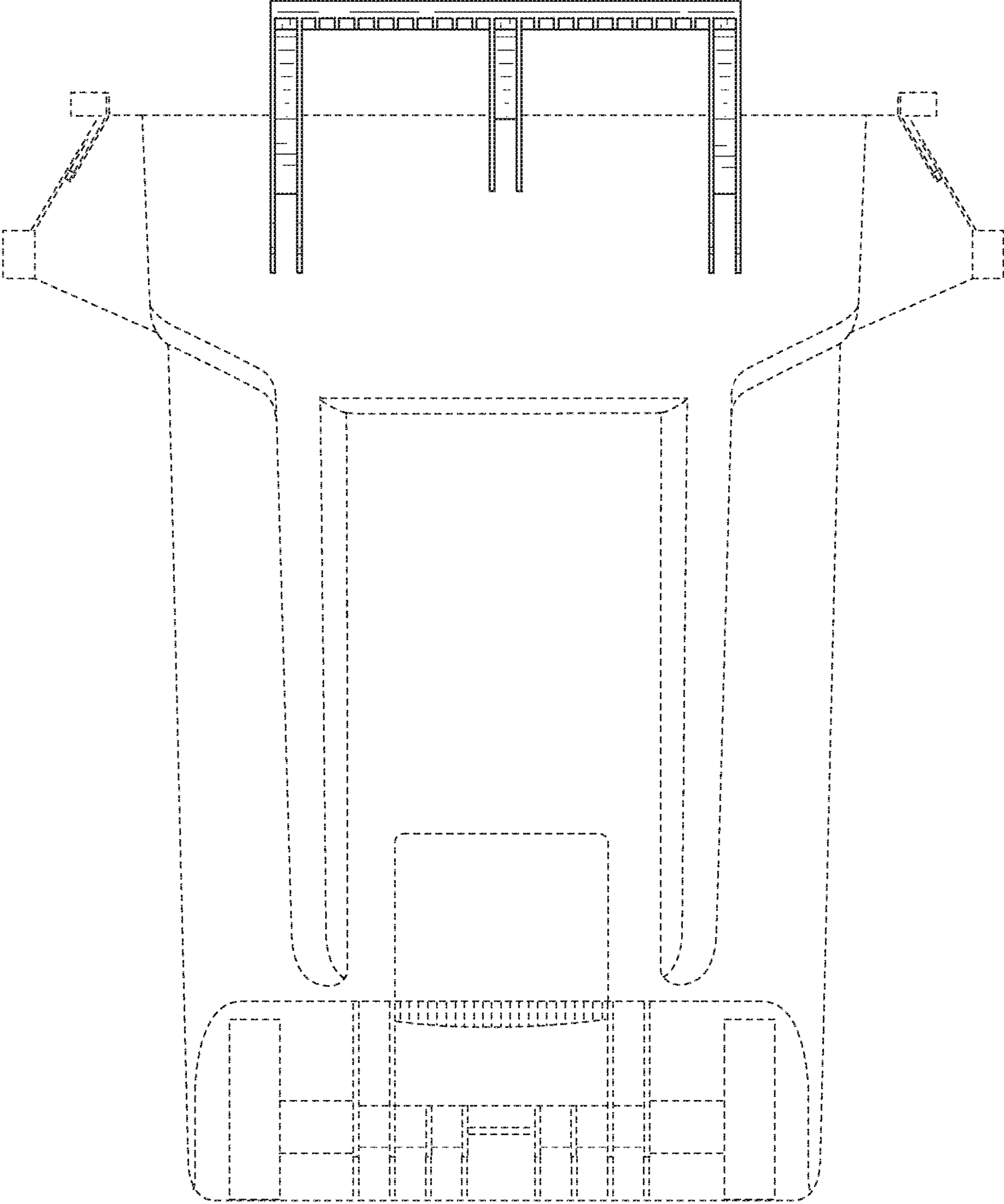


FIG. 3

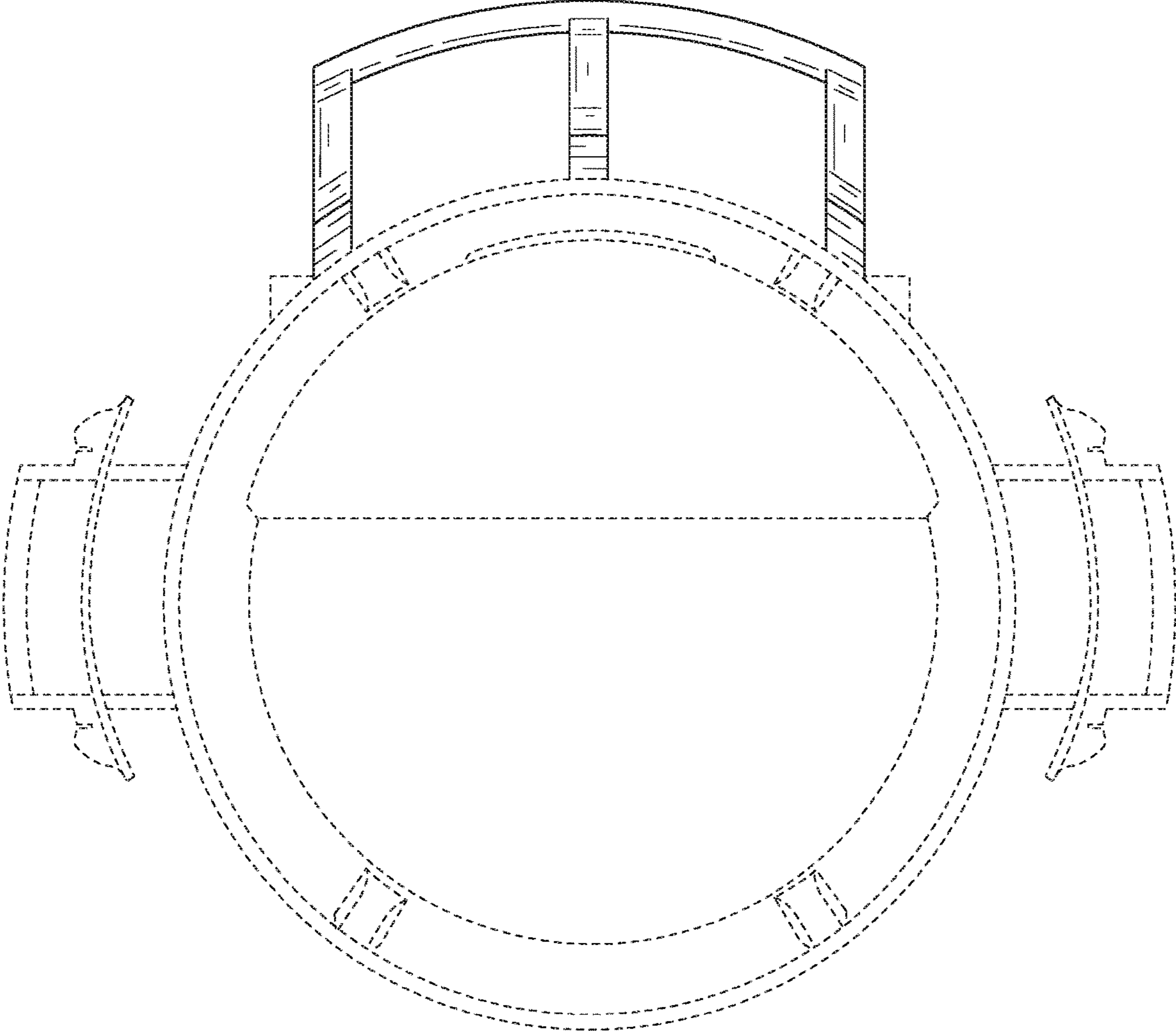


FIG. 4

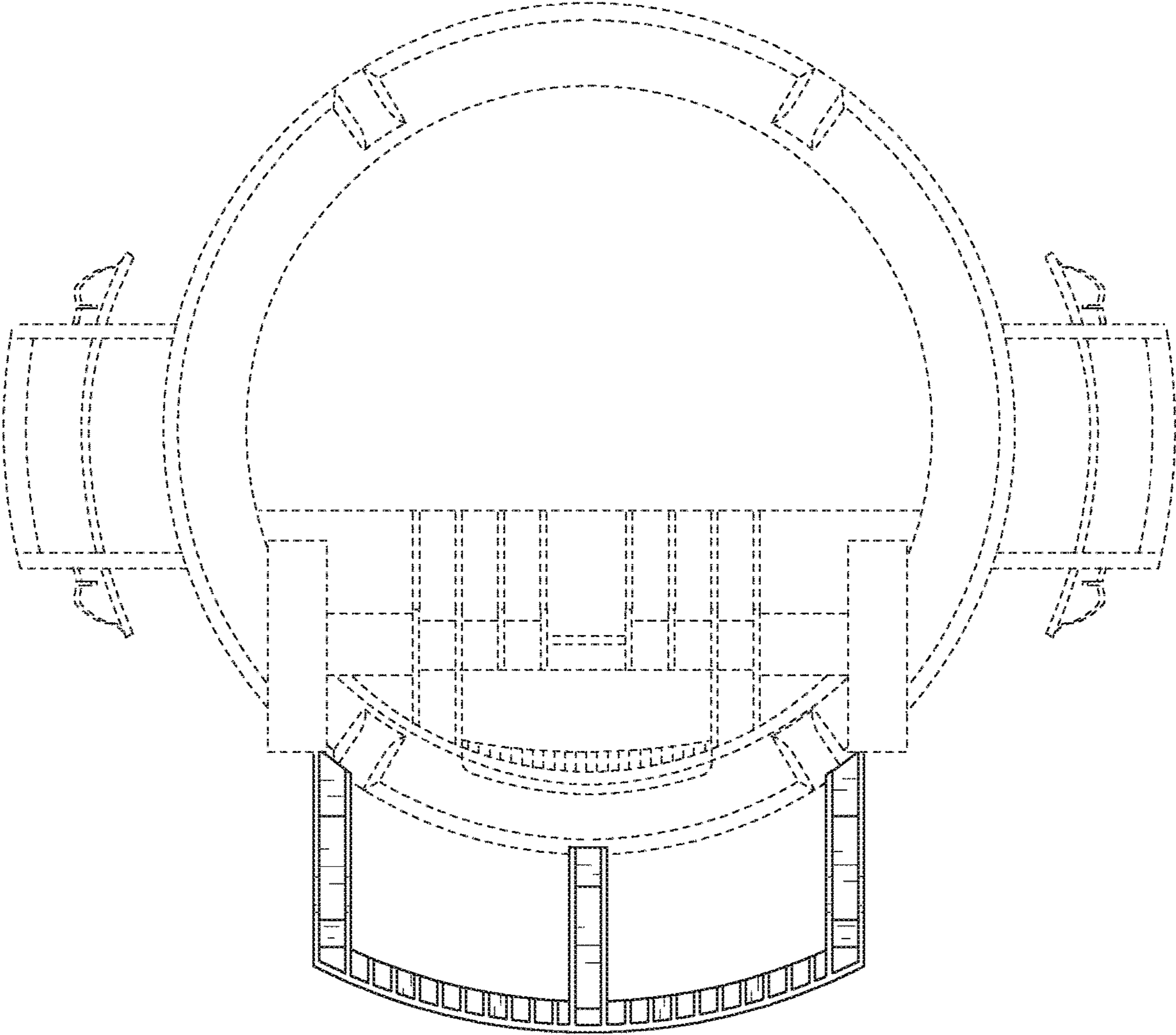


FIG. 5

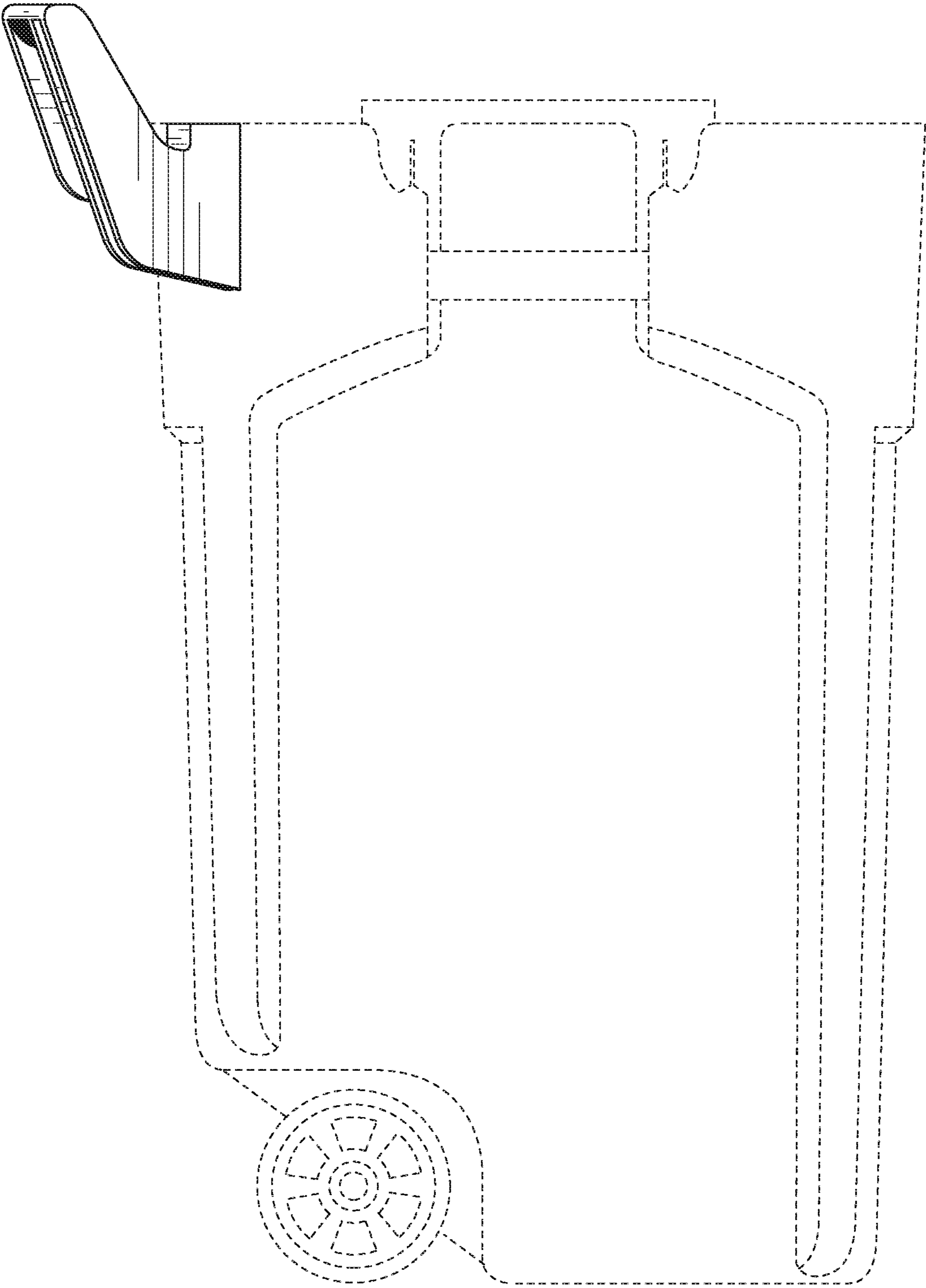


FIG. 6

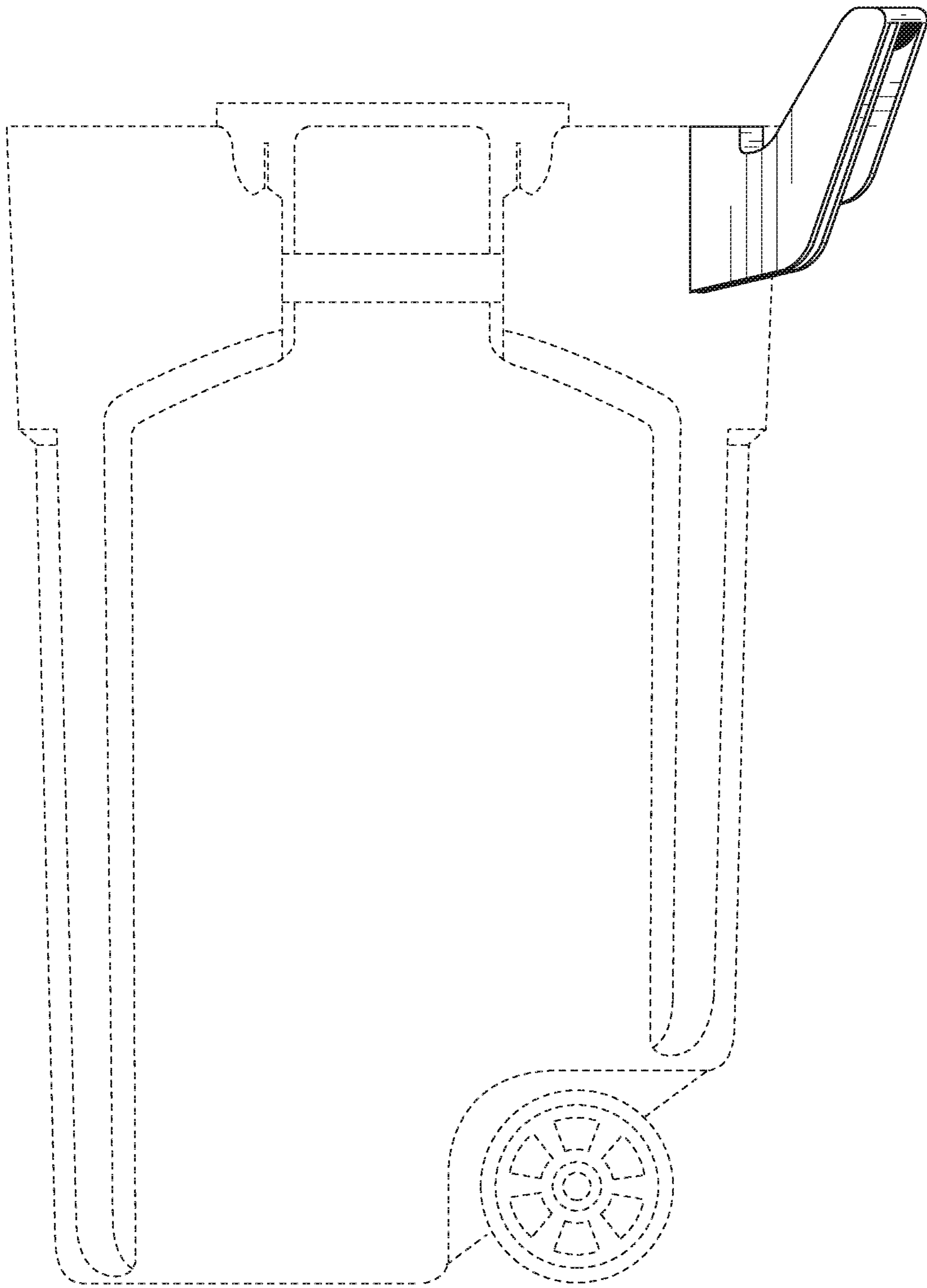


FIG. 7