



US00D952980S

(12) **United States Design Patent**
Hsu

(10) **Patent No.:** **US D952,980 S**
(45) **Date of Patent:** **** May 24, 2022**

(54) **WASTE CONTAINER**

D911,650 S * 2/2021 Liao D34/9
D930,933 S * 9/2021 Yang B65F 1/1646

(71) Applicant: **L&F PLASTICS CO., LTD.**, Miaoli County (TW)

2018/0305120 A1* 10/2018 Yang B65F 1/163

(72) Inventor: **Mu-Chuan Hsu**, Miaoli County (TW)

OTHER PUBLICATIONS

(73) Assignee: **L&F PLASTICS CO., LTD.**, Miaoli County (TW)

Google search Jan. 25, 2022, A-1 Medical integration, Trash Can Rubbermaid Beige, <https://a1props.com/product/trash-can-rubbermaid-beige-tall/> (Year: 2021).*

(**) Term: **15 Years**

Northerntool.com Jan. 25, 2022, Totor Fire Retardant step on trash can, https://www.northerntool.com/shop/tools/product_200840856_200840856 (Year: 2022).*

(21) Appl. No.: **29/750,167**

* cited by examiner

(22) Filed: **Sep. 11, 2020**

(30) **Foreign Application Priority Data**

Primary Examiner — Cynthia Ramirez

Mar. 20, 2020 (TW) 109301468

(74) *Attorney, Agent, or Firm* — Mayer & Williams PC

(51) **LOC (13) Cl.** **09-09**

(57) **CLAIM**

(52) **U.S. Cl.**
USPC **D34/9**

The ornamental design for a waste container, as shown and described.

(58) **Field of Classification Search**

DESCRIPTION

USPC D34/1-11
CPC B65F 1/16; B65F 1/1607; B65F 1/1615;
B65F 1/06; B65F 1/163; B65F 1/1623;
B65F 1/1646; B65F 2220/12; B65F
2230/00; B65F 2250/1146; B65F 1/1468;
B65D 21/0209; B65D 2543/00194
See application file for complete search history.

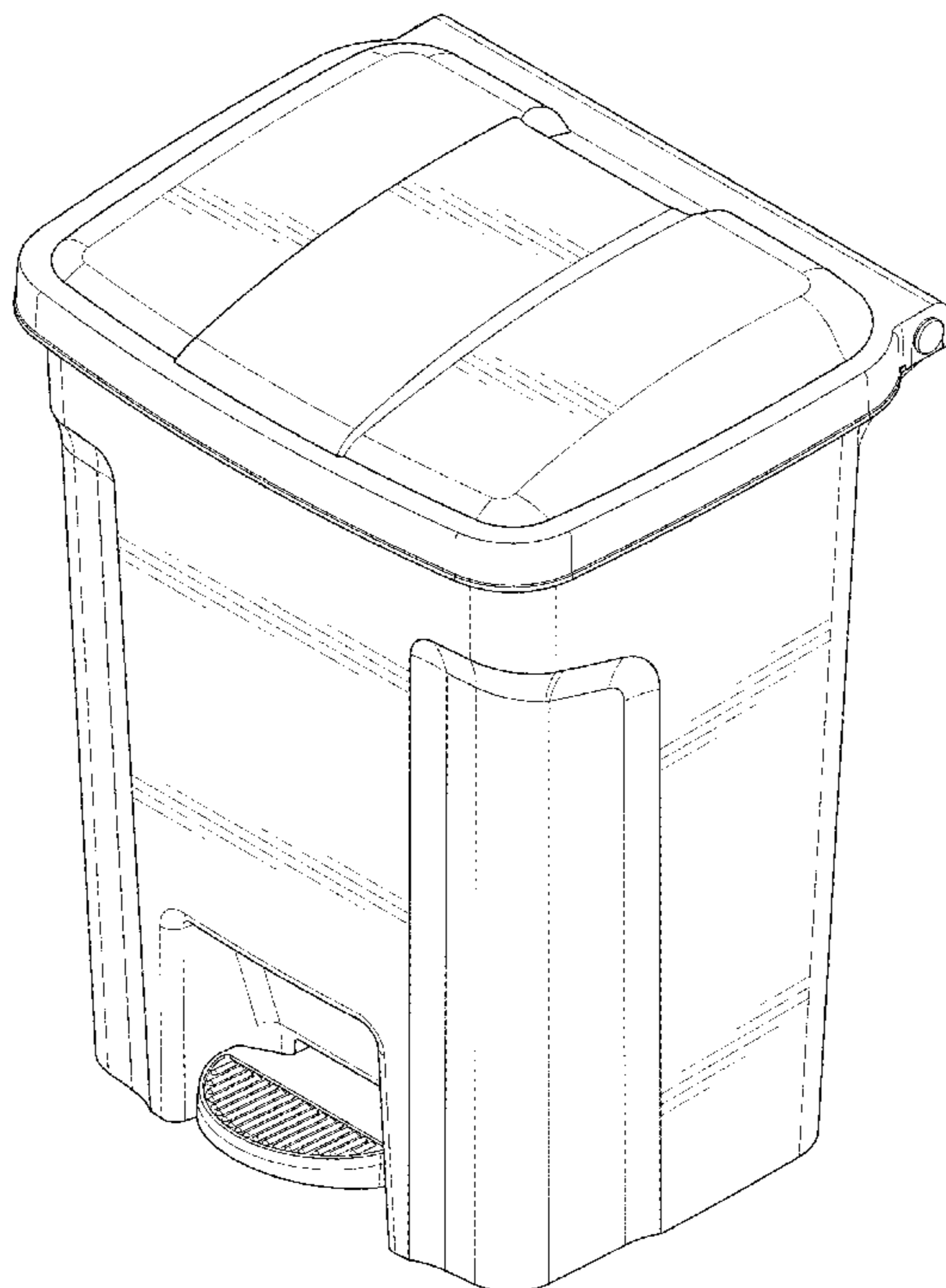
FIG. 1 illustrates a front perspective view of a waste container showing our new design;
FIG. 2 illustrates a front elevational view thereof;
FIG. 3 illustrates a rear elevational view thereof;
FIG. 4 illustrates a right side elevational view thereof and the left side view being a mirror image of the right side;
FIG. 5 illustrates a top plan view thereof; and,
FIG. 6 illustrates a bottom plan view thereof.
The broken lines shown throughout the views depict unclaimed portions of the waste container and form no part of the claimed design.

(56) **References Cited**

U.S. PATENT DOCUMENTS

D481,187 S * 10/2003 Sofy D34/9
D562,522 S * 2/2008 Daams D34/9

1 Claim, 6 Drawing Sheets



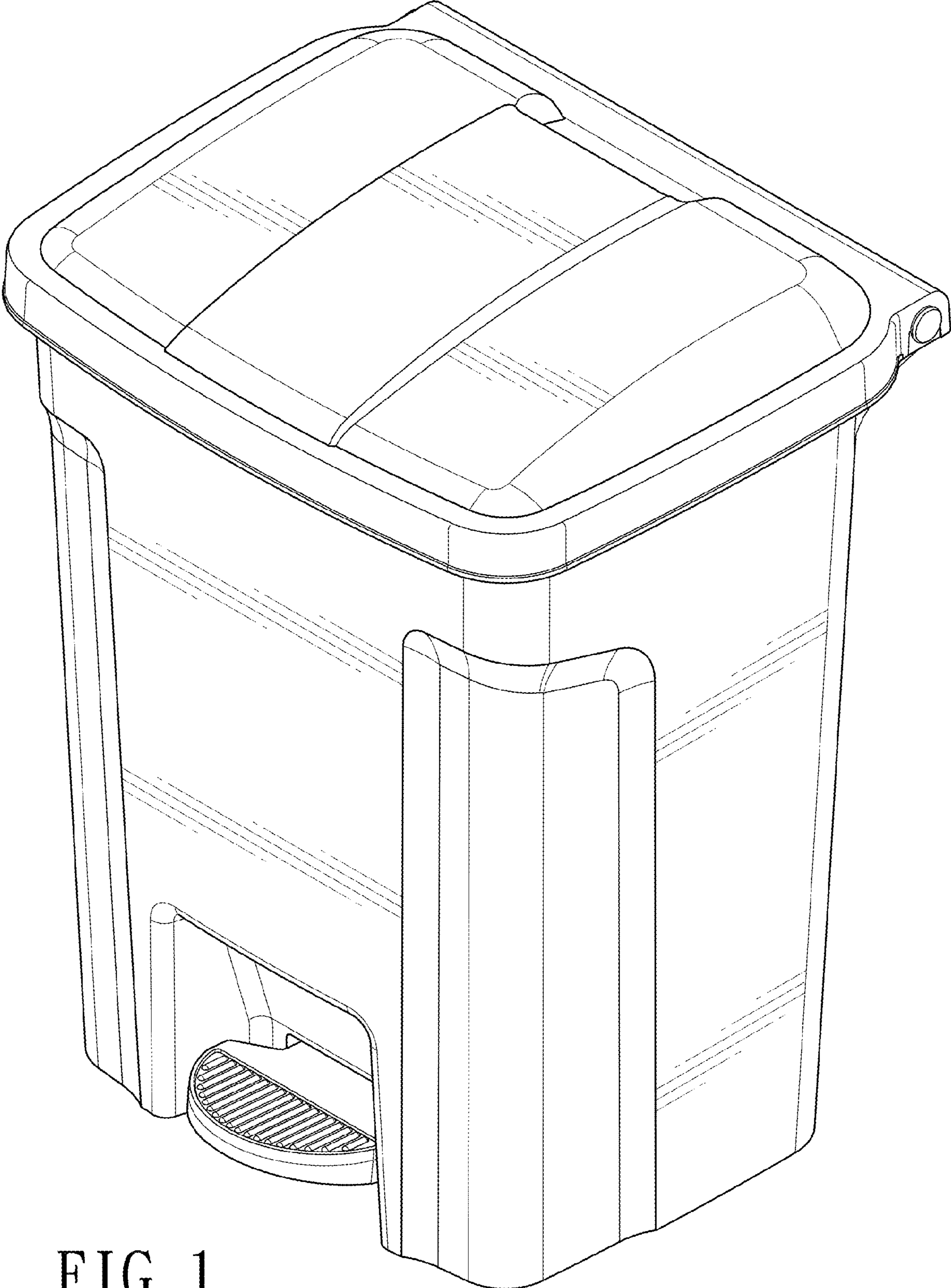


FIG. 1

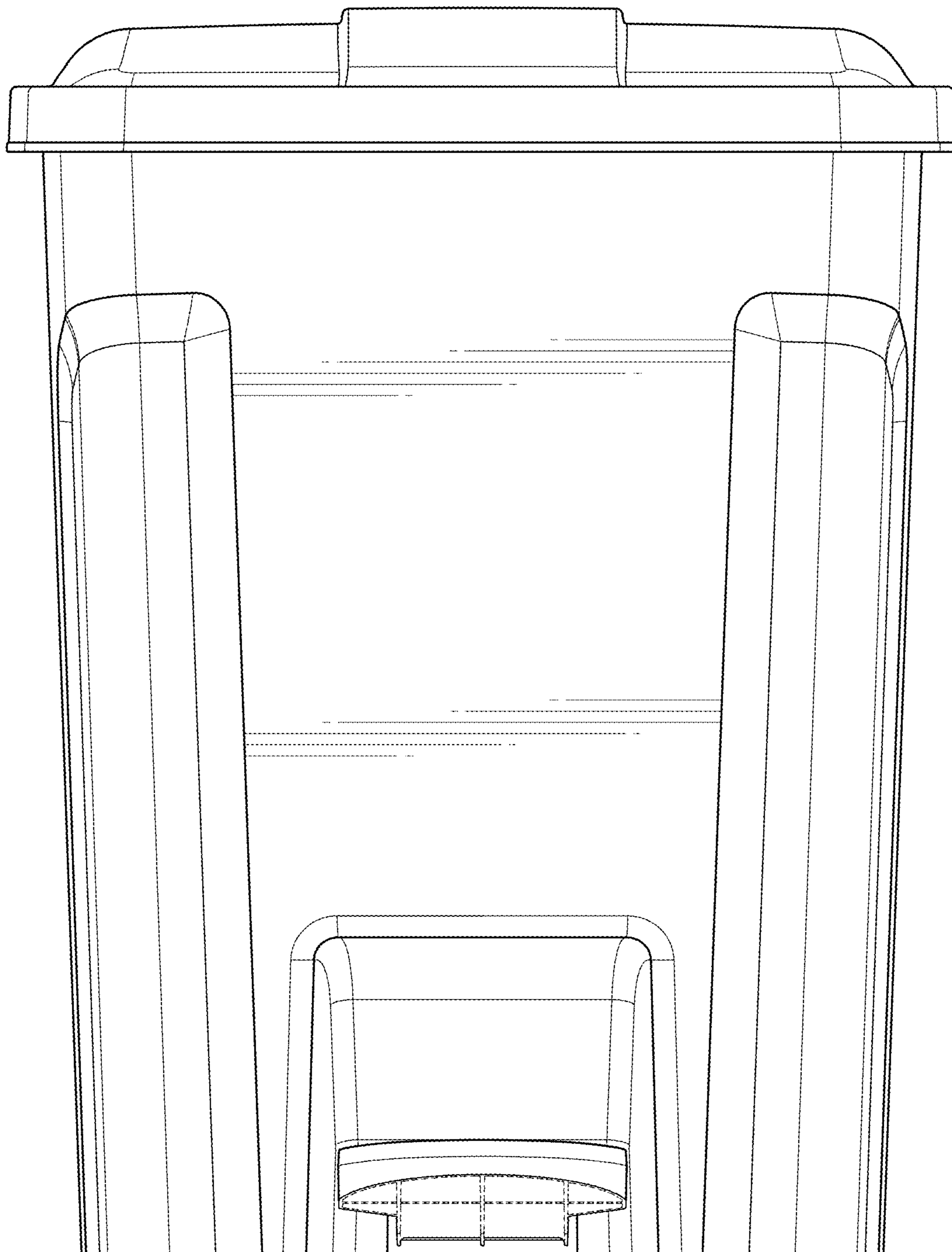


FIG. 2

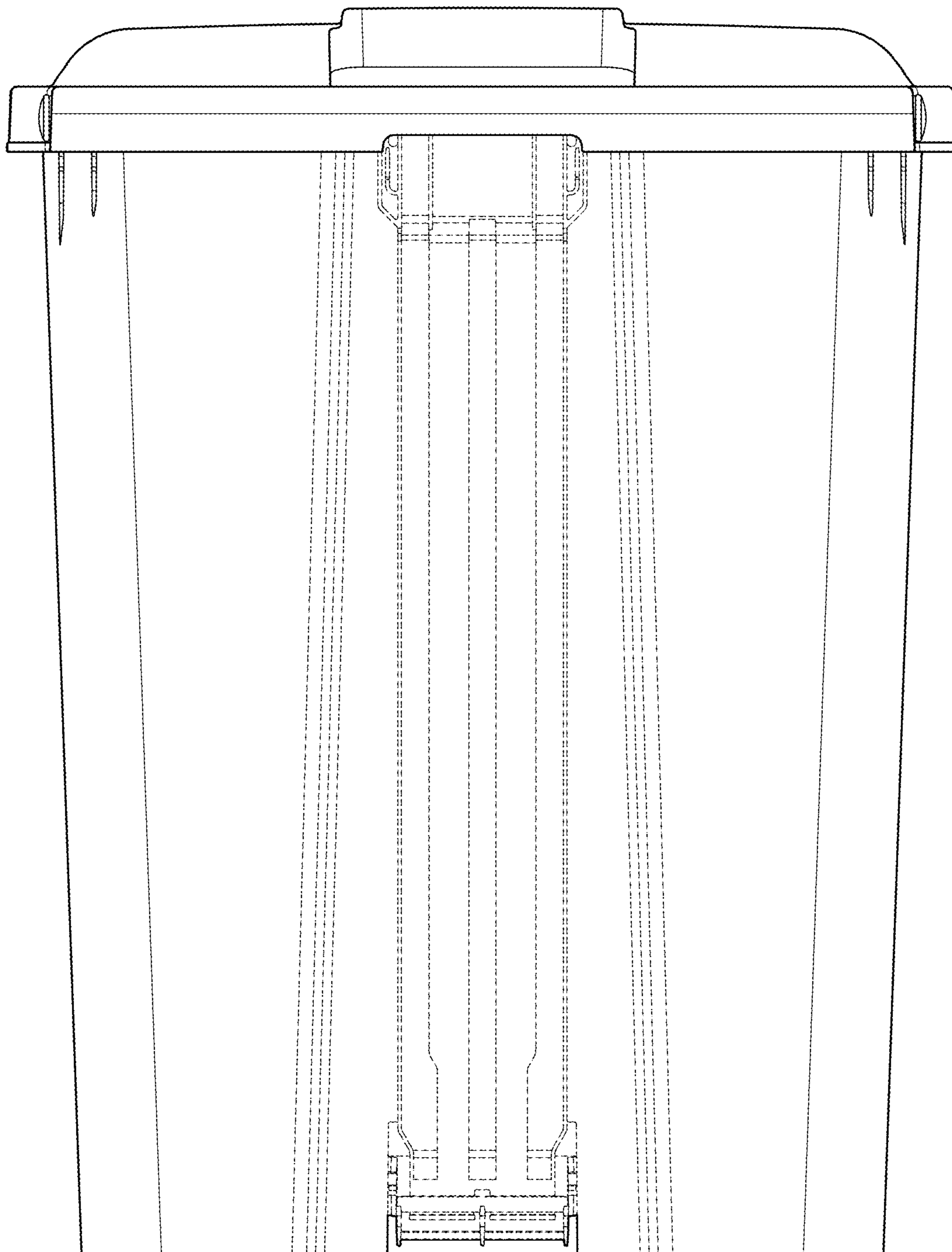


FIG. 3

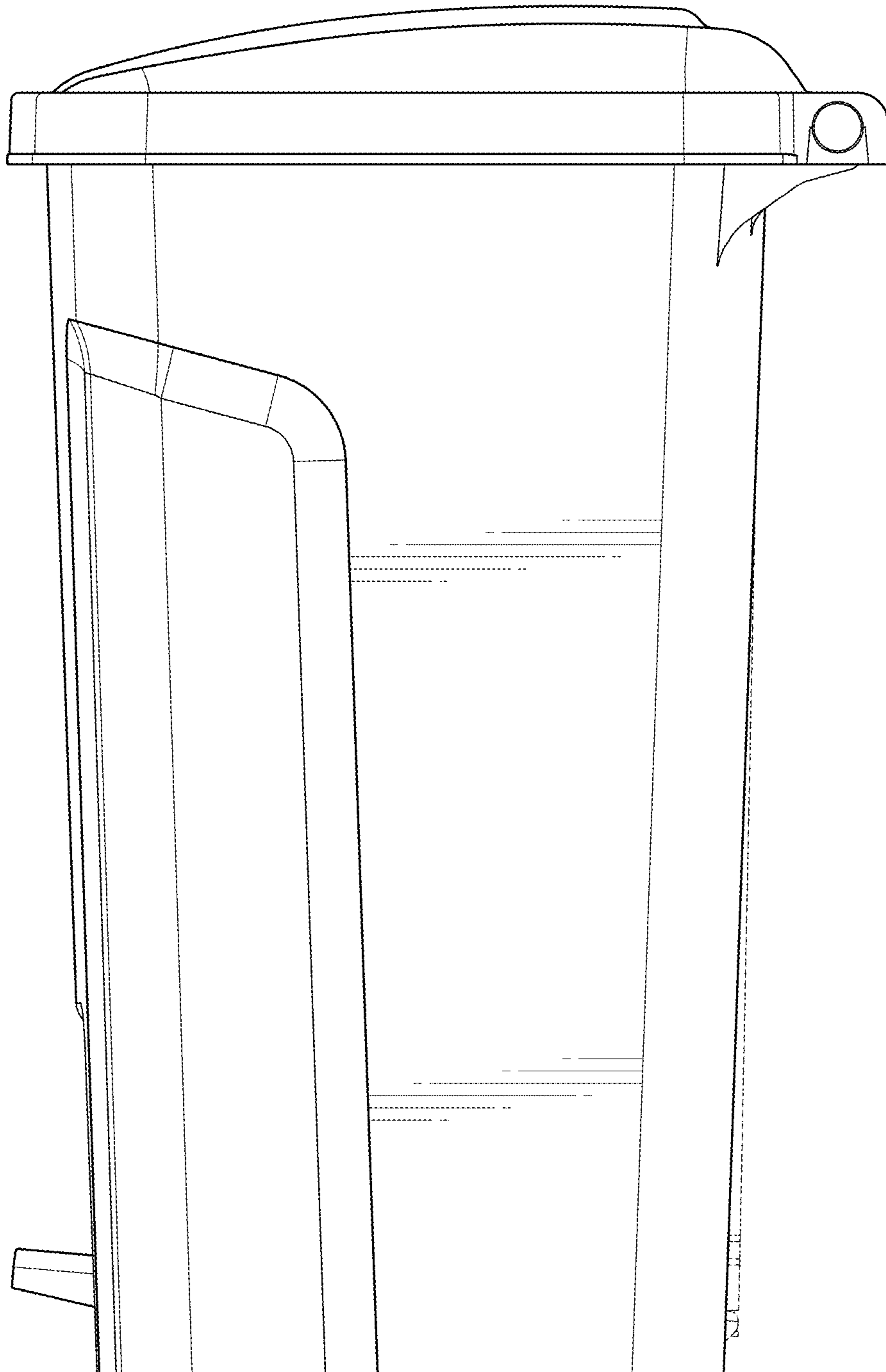


FIG. 4

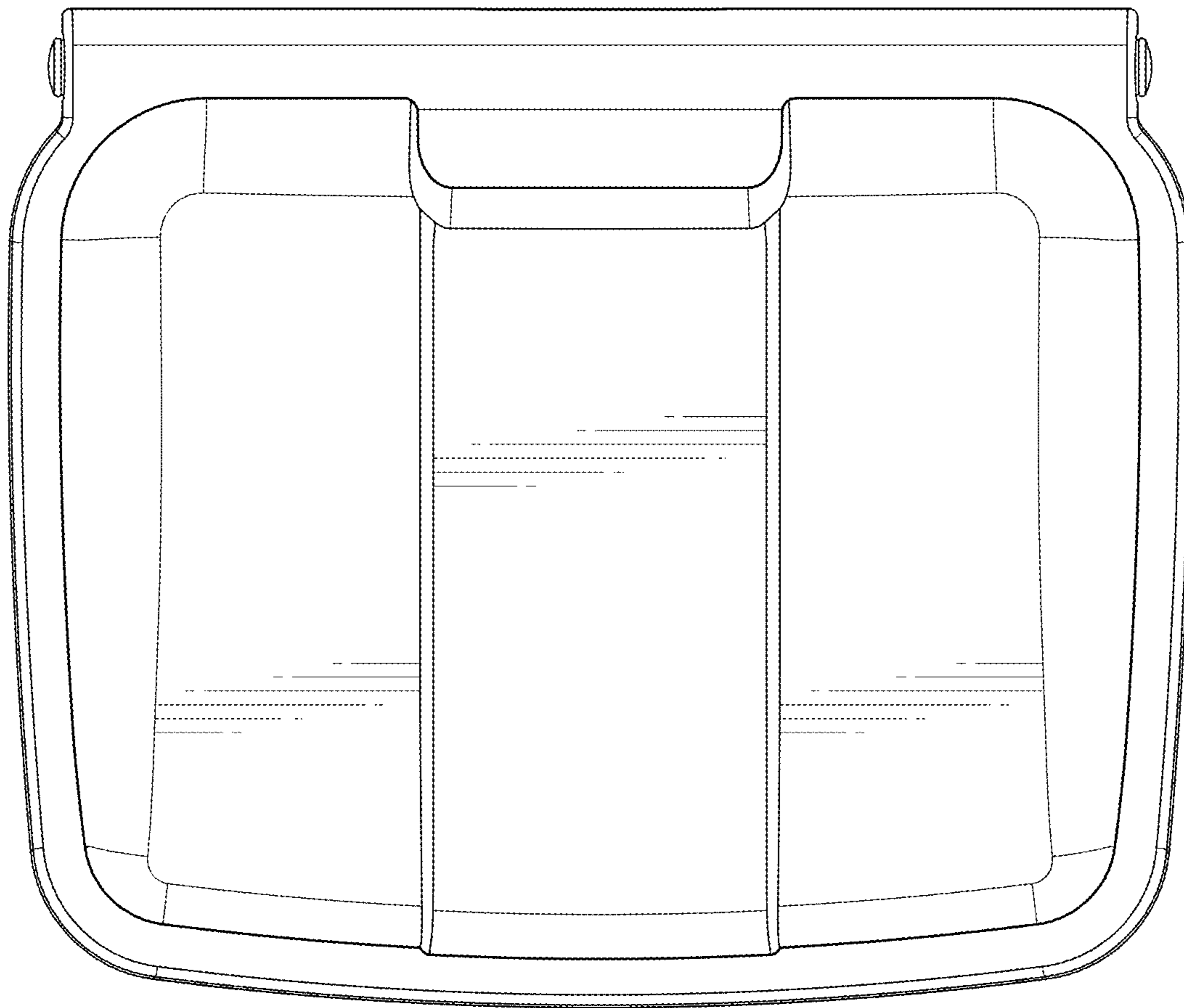


FIG. 5

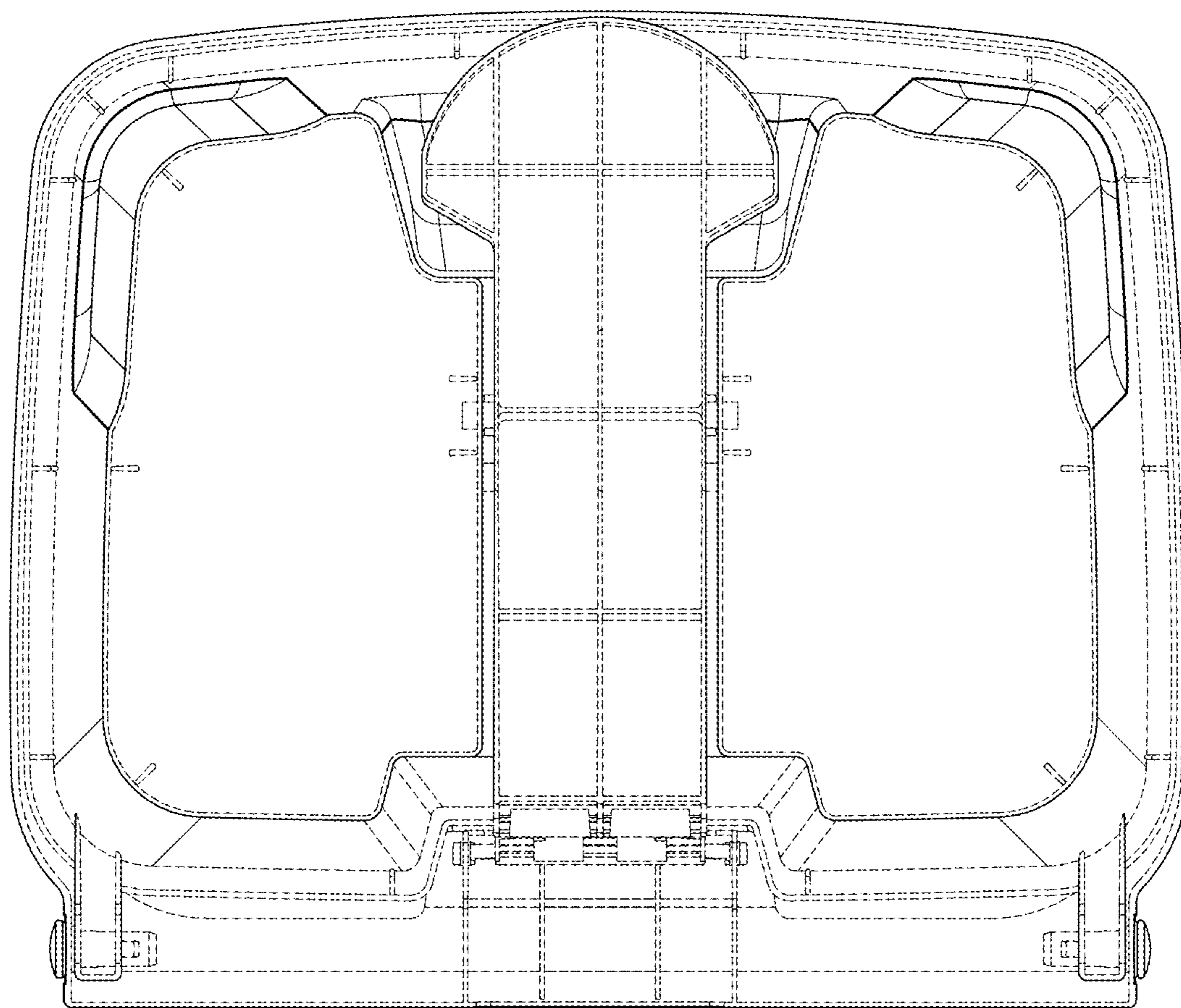


FIG. 6