



US00D952979S

(12) **United States Design Patent**  
**Bae et al.**

(10) **Patent No.:** **US D952,979 S**  
(45) **Date of Patent:** **\*\* May 24, 2022**

(54) **IRONING BOARD**

(71) Applicant: **LG ELECTRONICS INC.**, Seoul (KR)

(72) Inventors: **Jaeil Bae**, Seoul (KR); **Hoil Jeon**, Seoul (KR); **Youngsoo Ha**, Seoul (KR); **Kyutae Park**, Seoul (KR); **Yeji Um**, Seoul (KR)

(73) Assignee: **LG ELECTRONICS INC.**, Seoul (KR)

(\*\*) Term: **15 Years**

(21) Appl. No.: **29/757,833**

(22) Filed: **Nov. 10, 2020**

(30) **Foreign Application Priority Data**

May 21, 2020 (KR) ..... 30-2020-0022487

(51) **LOC (13) Cl.** ..... **07-05**

(52) **U.S. Cl.**  
USPC ..... **D32/66**

(58) **Field of Classification Search**  
USPC ..... D32/9, 35, 60, 66, 67, 71; D21/526;  
D6/668, 691.1, 691.3, 691.4; D14/457,  
D14/459, 460, 461

(Continued)

(56) **References Cited**

**U.S. PATENT DOCUMENTS**

D19,852 S \* 5/1890 Hicks ..... D32/66  
D20,694 S \* 4/1891 Day ..... D32/66

(Continued)

**FOREIGN PATENT DOCUMENTS**

CN 300709904 \* 11/2007  
CN 303735328 \* 7/2016

(Continued)

**OTHER PUBLICATIONS**

BQKOZFIN 5 Level Height Adjustment Ironing Board, available in Amazon.ca, date first available May 24, 2021 [online], [site visited Sep. 22, 2021], Available from the internet URL: <https://www.amazon.ca/BQKOZFIN-Adjustment-Multifunctional-Boat-Shaped-43-Wx11-8Dx24-31/dp/B095P98DPS> (Year: 2021).\*

(Continued)

*Primary Examiner* — Amy C Wierenga

*Assistant Examiner* — Jennylou M Binas

(74) *Attorney, Agent, or Firm* — Birch, Stewart, Kolasch & Birch, LLP

(57) **CLAIM**

We claim the ornamental design for an ironing board, as shown and described.

**DESCRIPTION**

FIG. 1 is a front, top perspective view of an ironing board showing the new design;

FIG. 2 is a front, bottom perspective view thereof;

FIG. 3 is a front elevation view thereof;

FIG. 4 is a rear elevation view thereof;

FIG. 5 is a left-side elevation view thereof;

FIG. 6 is a right-side elevation view thereof;

FIG. 7 is a top plan view thereof;

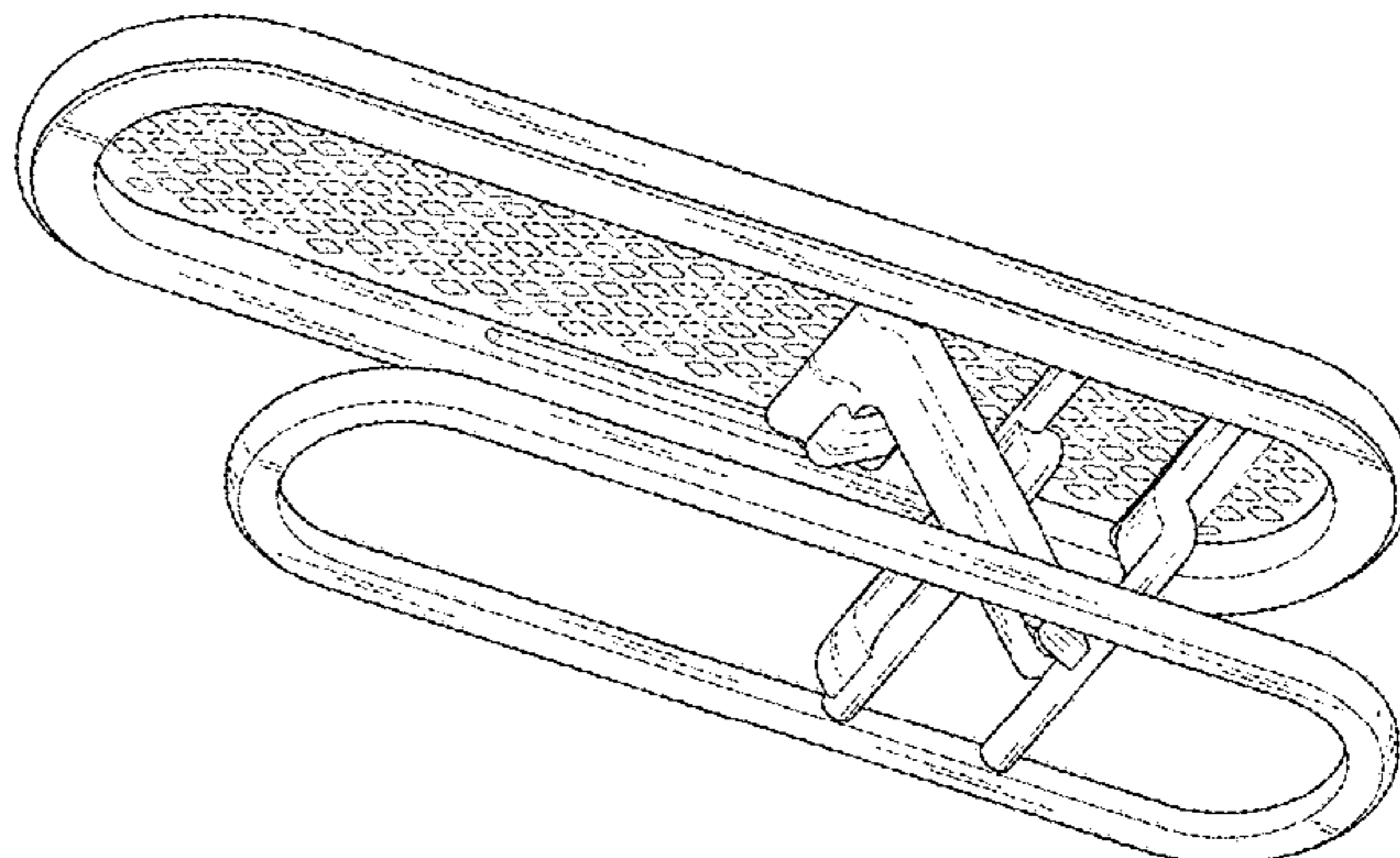
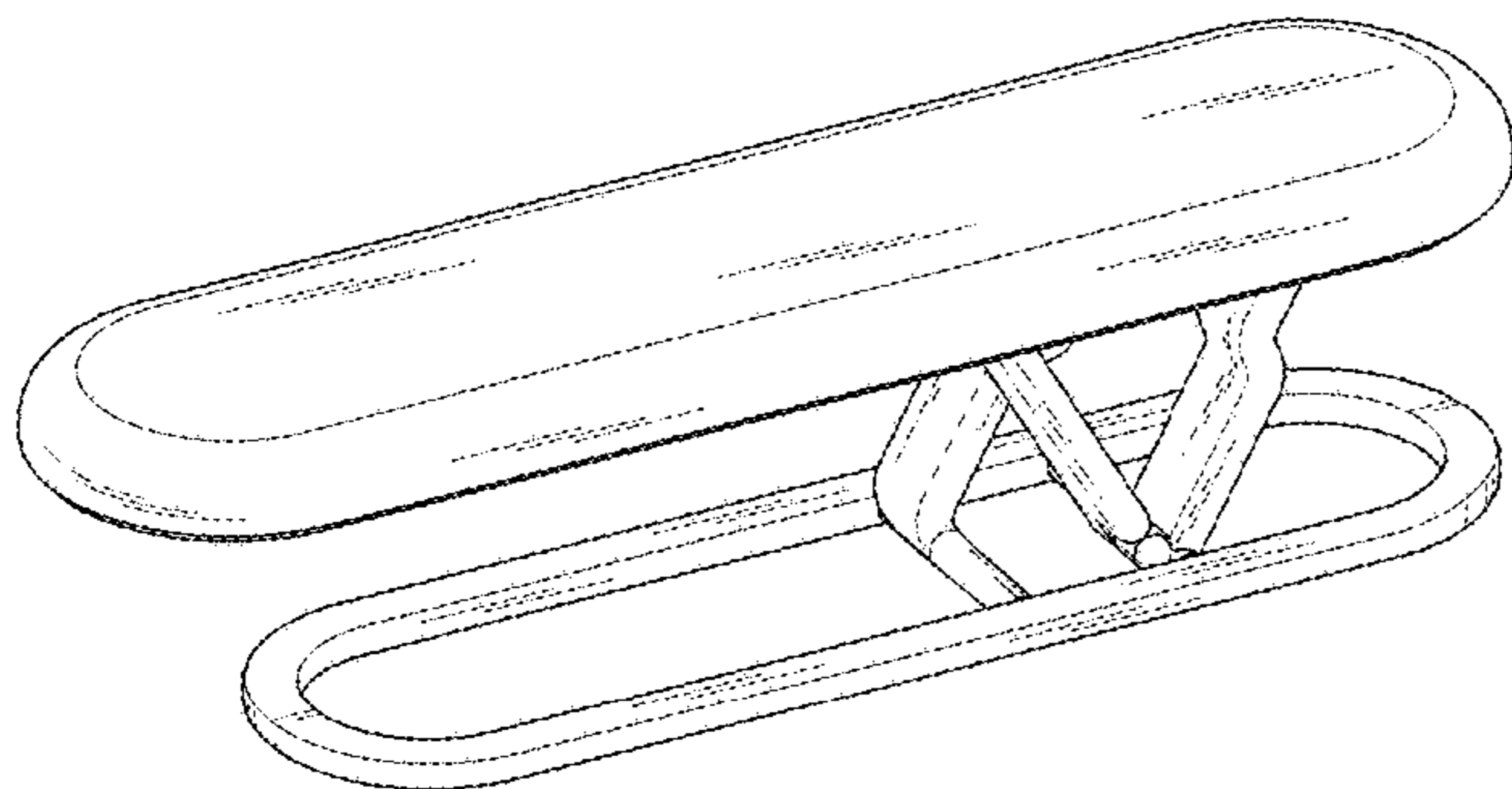
FIG. 8 is a bottom plan view thereof;

FIG. 9 is a front, top perspective view in a folded state thereof; and,

FIG. 10 is a front, top perspective view of the ironing board shown in a state of use.

The broken lines showing an ironing board and an iron in FIG. 10 depict environmental structure that form no part of the claimed design. The broken lines in FIGS. 2, 5 and 8 depict portions of the ironing board that form no part of the claimed design.

**1 Claim, 10 Drawing Sheets**



(58) **Field of Classification Search**

CPC ..... A47B 39/06; D06F 81/00; D06F 81/003;  
 D06F 81/006; D06F 81/02; D06F 81/04;  
 D06F 81/06; D06F 81/08; D06F 81/12;  
 D06F 83/00; Y10S 38/00; Y10S 38/01;  
 Y10S 38/02; Y10S 38/03; Y10T 292/305  
 See application file for complete search history.

FOREIGN PATENT DOCUMENTS

CN	305477126	* 12/2019
GB	2102943	* 8/2001
KR	300254933.0000	* 3/2000
RU	00121939	* 10/2020
RU	00124978	* 4/2021
RU	00125415	* 5/2021
WO	D206438-001	* 8/2021
WO	D206841-001	* 8/2021

(56) **References Cited**

U.S. PATENT DOCUMENTS

D28,202	S *	1/1898	Dana	.....	D32/66
D28,612	S *	5/1898	Rowse et al.	.....	D32/66
D30,286	S *	2/1899	Boesel	.....	D32/66
D31,719	S *	10/1899	Powell	.....	D32/66
998,988	A *	7/1911	Reynolds	.....	A47B 13/081 108/62
1,027,479	A *	5/1912	Hoffine	.....	A47B 13/16 108/26
1,063,685	A *	6/1913	Hoffine	.....	D06F 81/006 38/111
1,100,774	A *	6/1914	Petersen	.....	A47B 3/00 108/99
1,154,726	A *	9/1915	Ramlow	.....	D06F 83/00 38/140
D142,261	S *	8/1945	Meyerhoefer	.....	D32/66
2,523,425	A *	9/1950	Gargaglione	.....	A47B 77/10 108/13
2,554,344	A *	5/1951	Pattison	.....	D06F 83/00 38/140
D167,456	S *	8/1952	Glassie et al.	.....	D32/66
2,888,760	A *	6/1959	Shaffer	.....	D06F 81/12 38/136
D189,832	S *	2/1961	Farmer	.....	D32/66
D532,220	S *	11/2006	Domack	.....	D6/687
D937,524	S *	11/2021	Park	.....	D32/66
D938,123	S *	12/2021	Bae	.....	D32/66
D940,423	S *	1/2022	Bae	.....	D32/66

OTHER PUBLICATIONS

Ironing board: 30 clever helpers, announced in YouTube on May 27, 2015 [online], [site visited Sep. 22, 2021], Available from the internet URL: <https://www.youtube.com/watch?v=CEO-TPqKQv4> (Year: 2015).\*

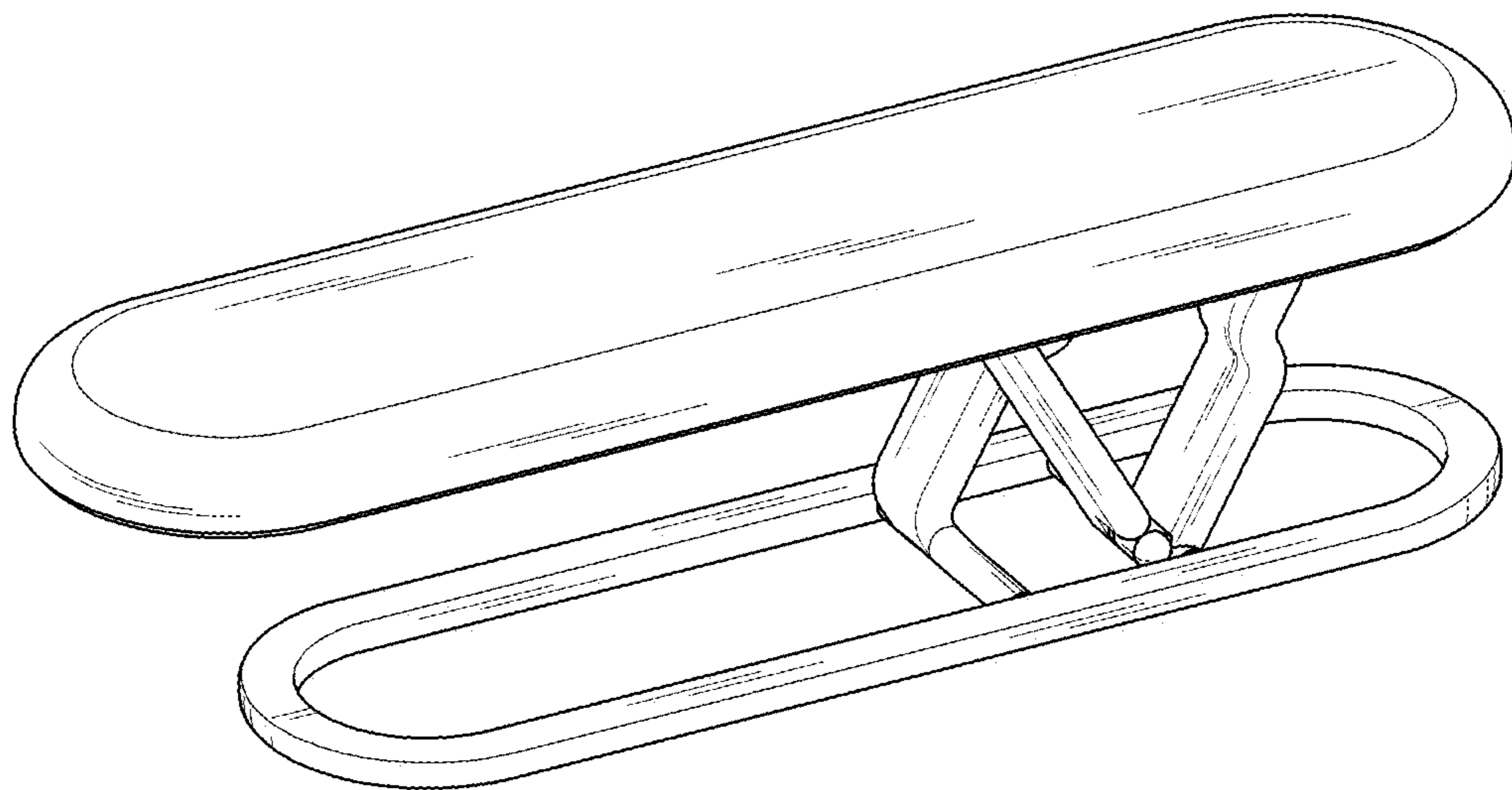
Jacobson Products Padded Sleeve Ironing Board, available in Amazon.ca, date 1st available Sep. 22, 2017 [online],[site visited Sep. 22, 2021],Available from internet URL: [https://www.amazon.ca/Jacobson-Products-Padded-Sleeve-Ironing/dp/B01MTAI79D/ref=sr\\_1\\_1?dchild=1&keywords=B01MTAI79D&qid=1632341537&sr=8-1](https://www.amazon.ca/Jacobson-Products-Padded-Sleeve-Ironing/dp/B01MTAI79D/ref=sr_1_1?dchild=1&keywords=B01MTAI79D&qid=1632341537&sr=8-1) (Year: 2017).\*

Brabantia Sleeve Board, available in Amazon.ca, date first available Nov. 4, 2013 [online], [site visited Sep. 22, 2021], Available from the internet URL: <https://www.amazon.com/Brabantia-Sleeve-Board-60-10/dp/B0002EXYUM> (Year: 2013).\*

Mini Ironing Board with Folding Leg, available in Amazon.ca,date 1st available Oct. 8, 2018[online],[site visited Sep. 22, 2021],Available internet URL: [https://www.amazon.ca/Tabletop-Ironing-Space-Saving-Folding-Collars/dp/B07J56579R/ref=sr\\_1\\_1?dchild=1&keywords=B07J56579R&qid=1632342671&s=kitchen&sr=1-1](https://www.amazon.ca/Tabletop-Ironing-Space-Saving-Folding-Collars/dp/B07J56579R/ref=sr_1_1?dchild=1&keywords=B07J56579R&qid=1632342671&s=kitchen&sr=1-1) (Year: 2018).\*

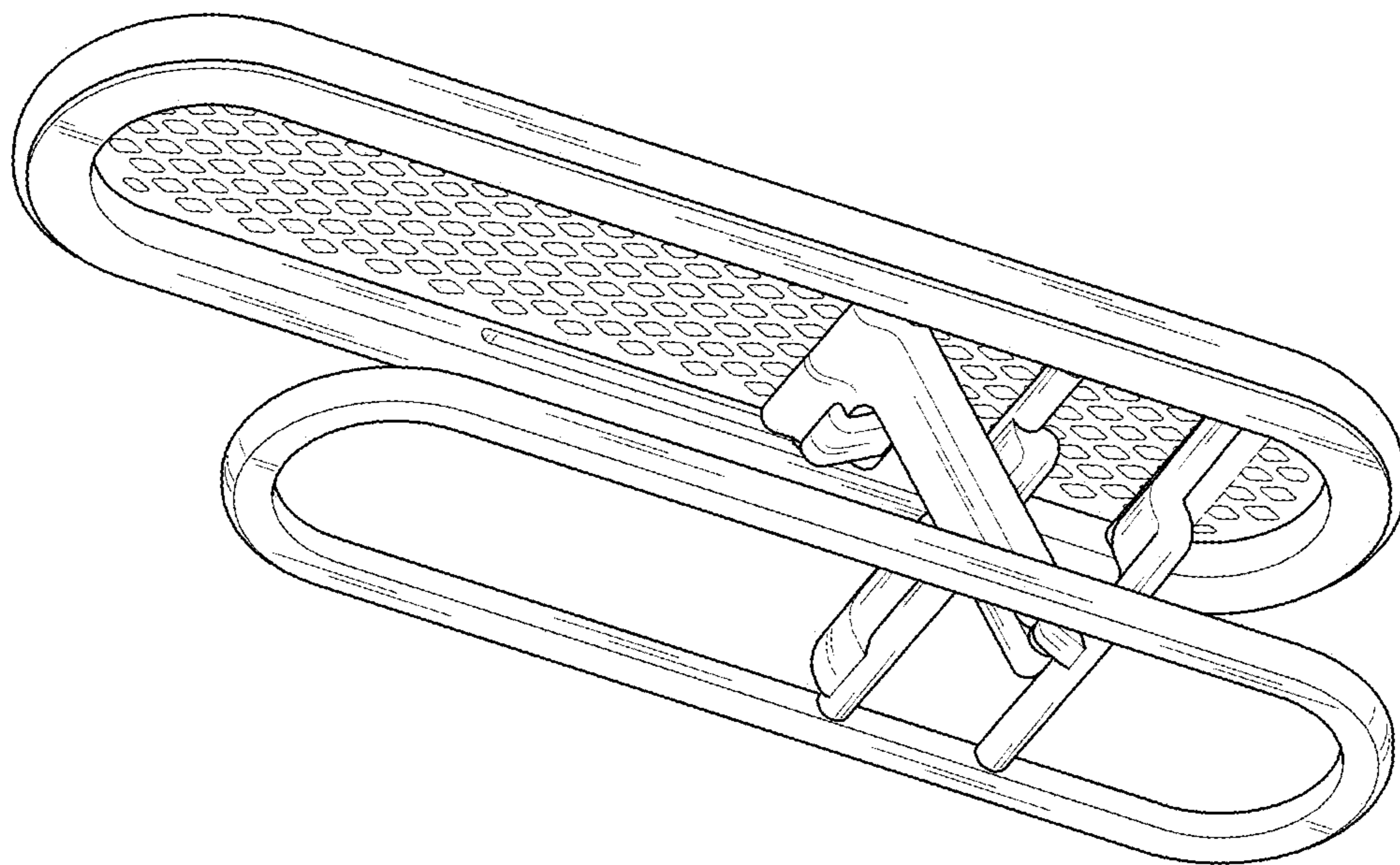
\* cited by examiner

*FIG. 1*

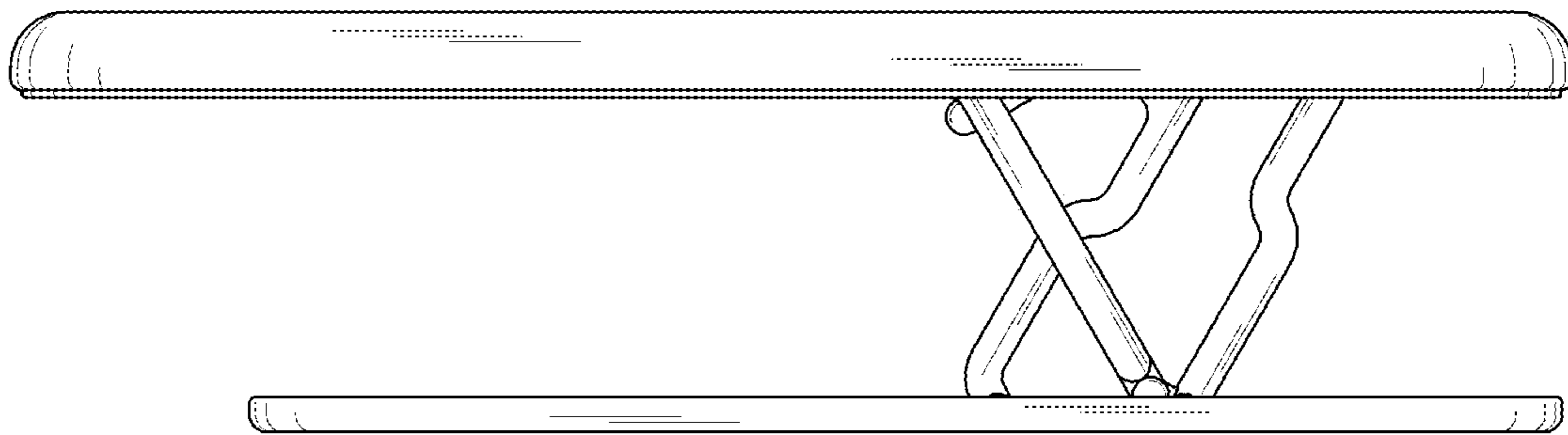




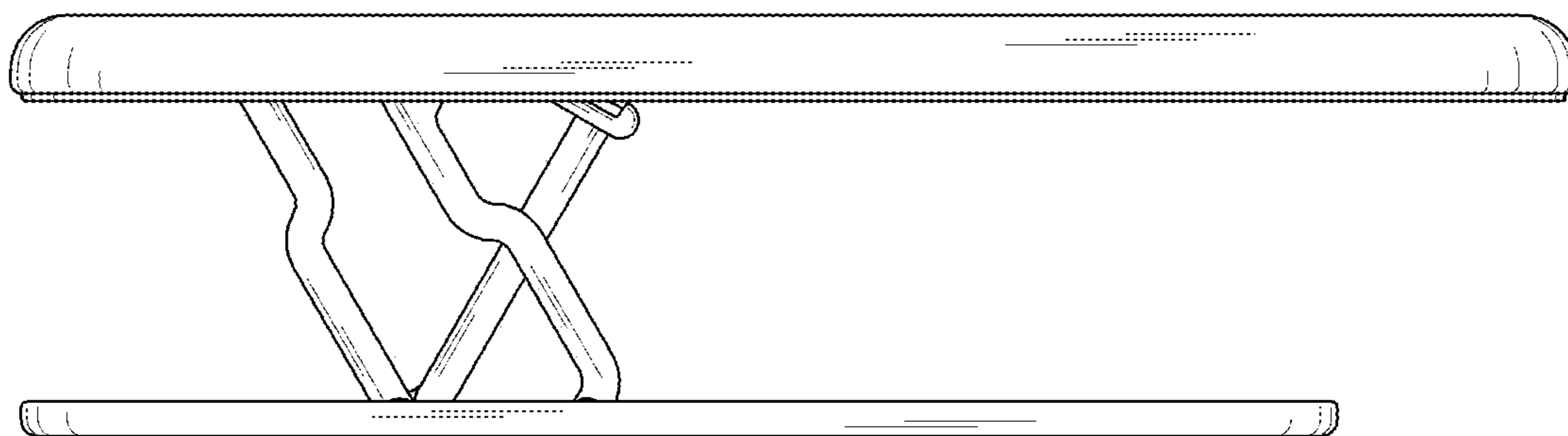
*FIG. 2*



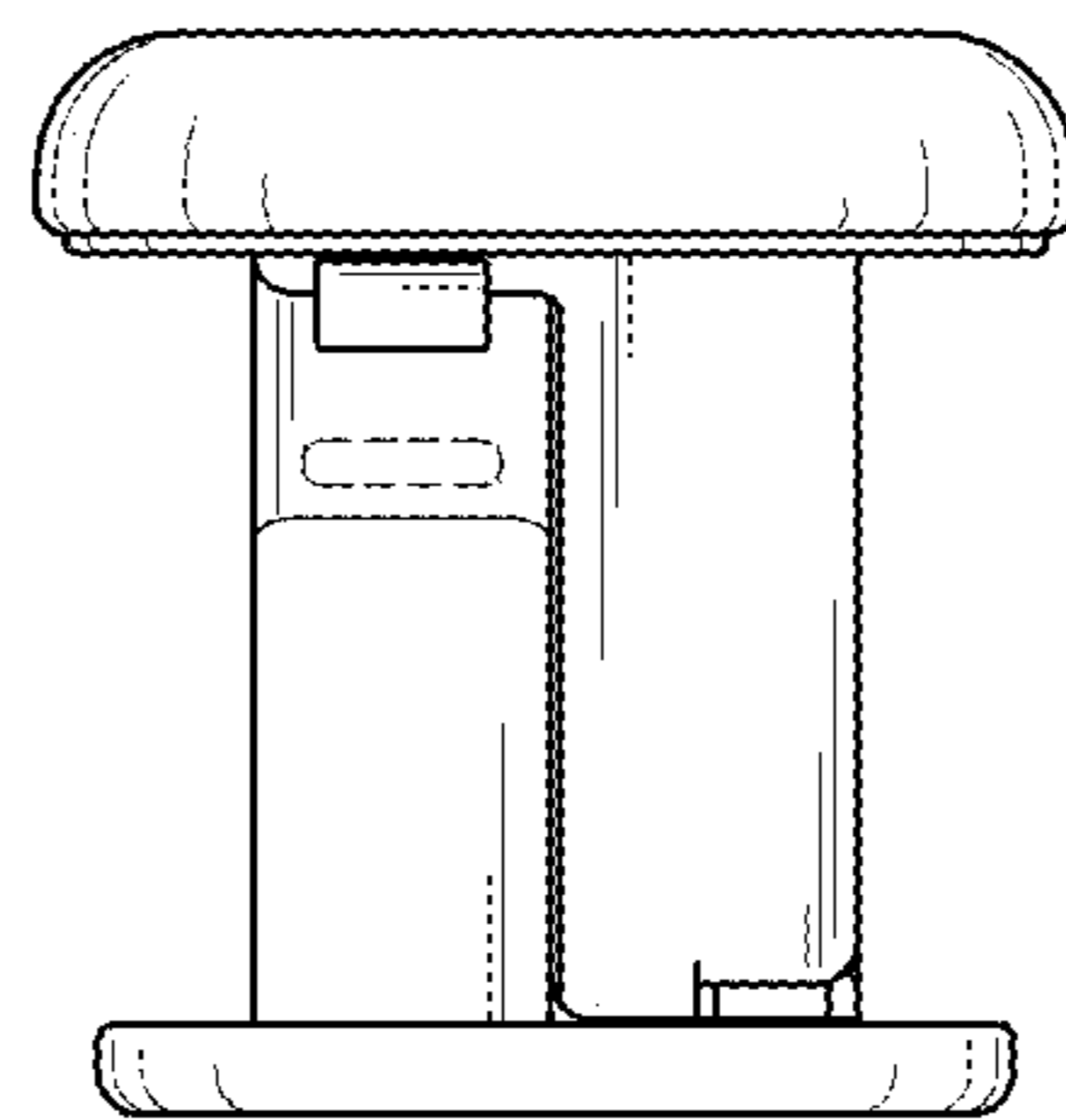
*FIG. 3*



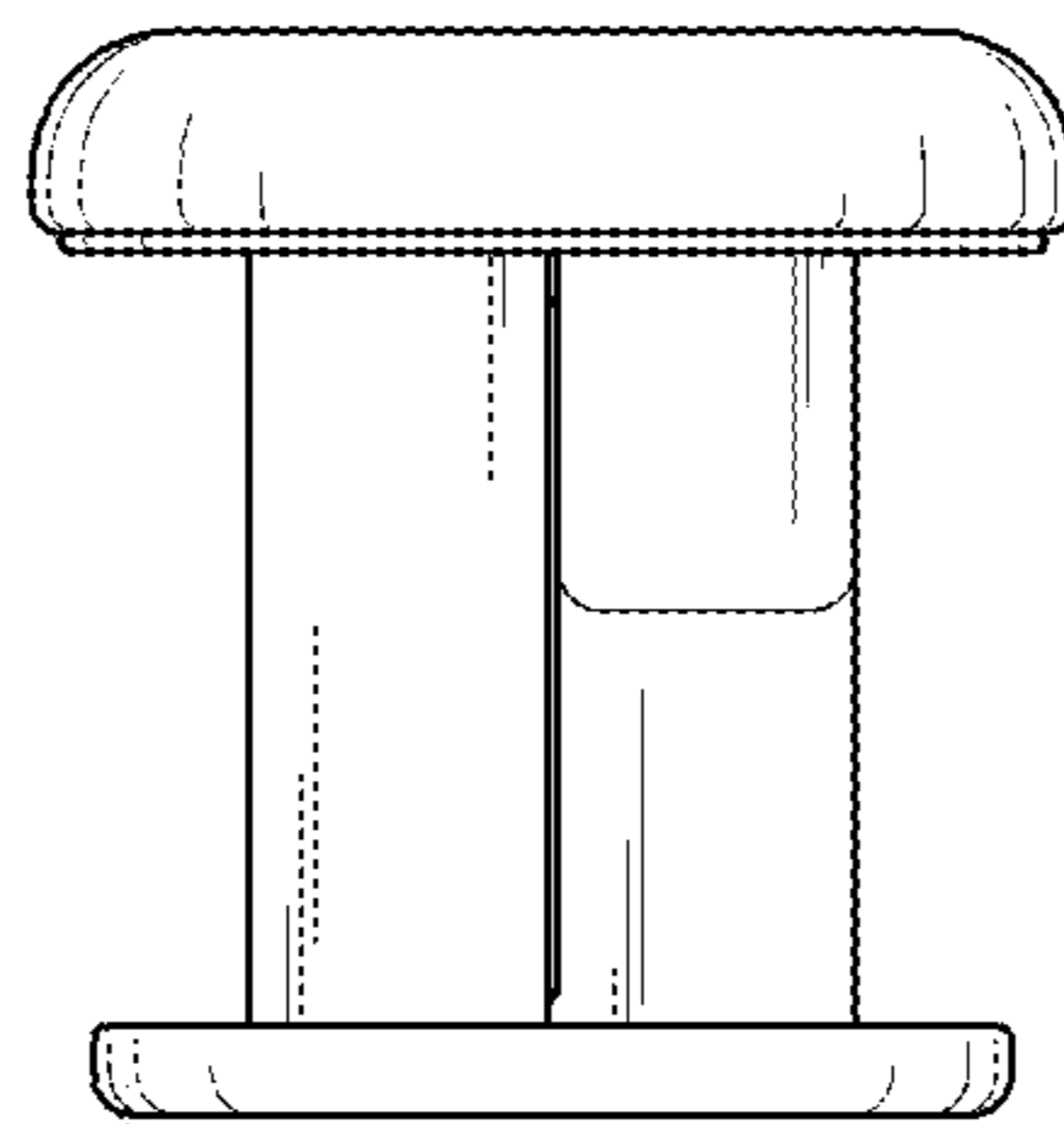
*FIG. 4*



*FIG. 5*

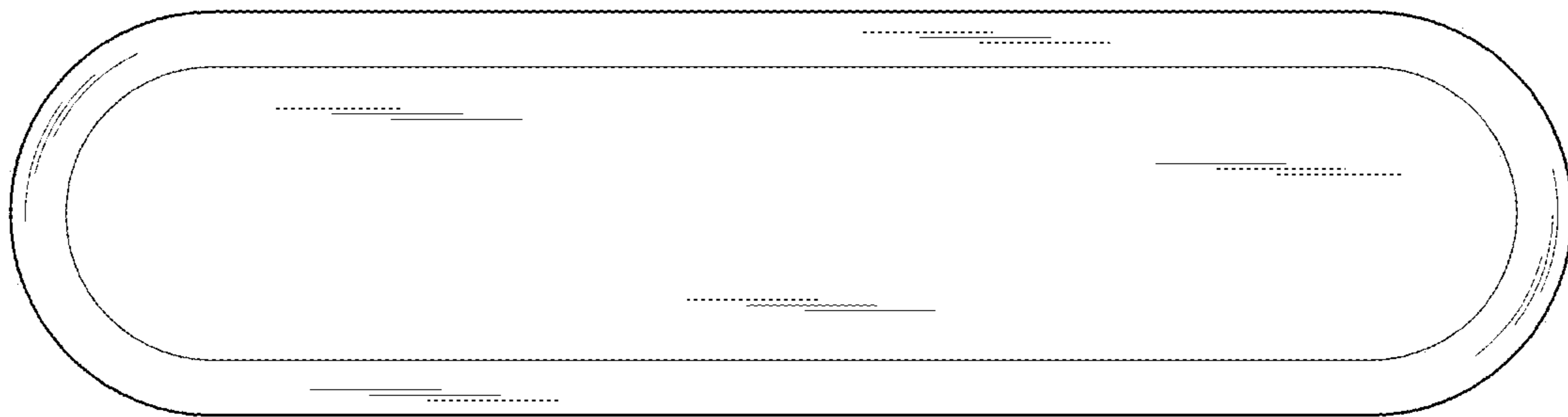


*FIG. 6*

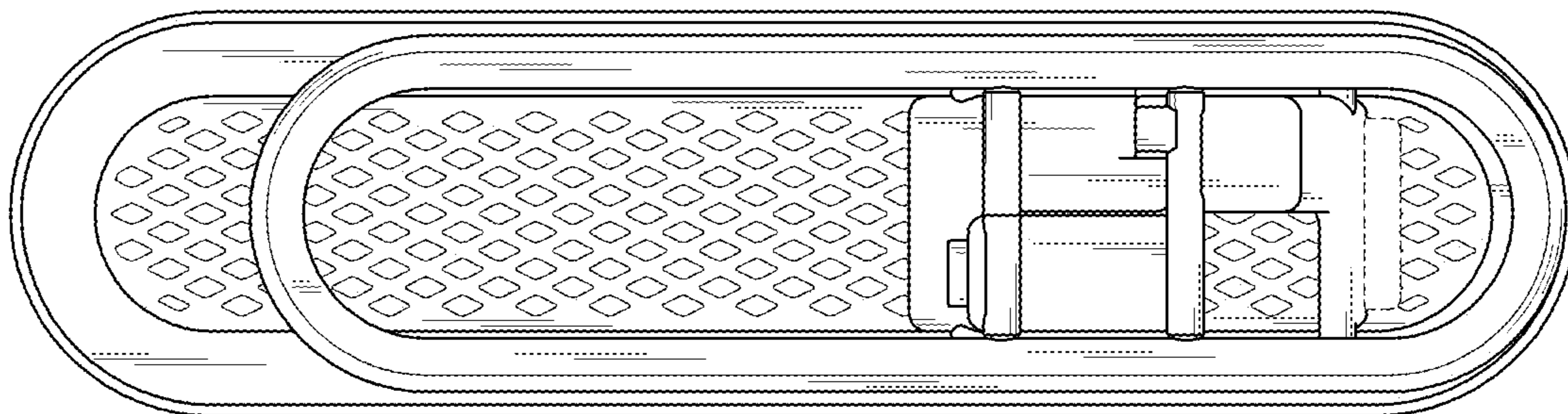




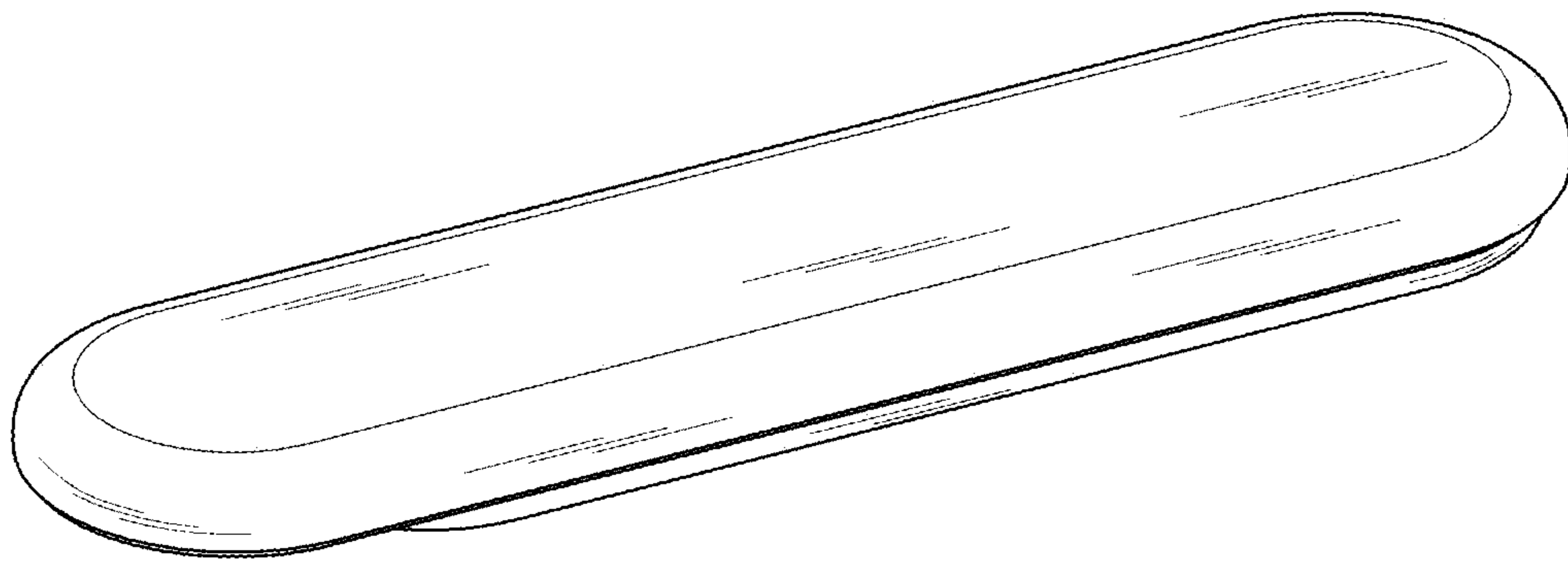
*FIG. 7*



*FIG. 8*



*FIG. 9*



*FIG. 10*

