



US00D952978S

(12) **United States Design Patent**
Bae et al.

(10) **Patent No.:** **US D952,978 S**
(45) **Date of Patent:** **** May 24, 2022**

(54) **IRONING BOARD**

FOREIGN PATENT DOCUMENTS

(71) Applicant: **LG ELECTRONICS INC.**, Seoul (KR)

RU 00121945 * 10/2020
RU 00121946 * 10/2020

(Continued)

(72) Inventors: **Jaeil Bae**, Seoul (KR); **Kyutae Park**, Seoul (KR); **Kyungah Lee**, Seoul (KR); **Hoil Jeon**, Seoul (KR); **Youngsoo Ha**, Seoul (KR)

OTHER PUBLICATIONS

Battistella EGEO Fixed Ironing Board + BARBARA 31 Steam Generator with Iron, announced in YouTube on May 2, 2013 [online], [site visited Oct. 19, 2021], Available from the internet URL: <https://www.youtube.com/watch?v=gY6iKp-UDJw> (Year: 2013).*

(Continued)

(73) Assignee: **LG ELECTRONICS INC.**, Seoul (KR)

(**) Term: **15 Years**

Primary Examiner — Amy C Wierenga

Assistant Examiner — Jennylou M Binas

(21) Appl. No.: **29/725,611**

(74) *Attorney, Agent, or Firm* — Birch, Stewart, Kolasch & Birch, LLP

(22) Filed: **Feb. 26, 2020**

(30) **Foreign Application Priority Data**

Aug. 27, 2019 (KR) 30-2019-0040964

(51) **LOC (13) Cl.** **07-05**

(52) **U.S. Cl.**
USPC **D32/66**

(58) **Field of Classification Search**
USPC D32/9, 35, 58, 60, 66, 67; D21/526
CPC A47B 39/06; A47B 46/00; A47B 61/02; A47B 63/04; A47B 77/10; A47B 77/16; A47G 25/40; D06F 73/00; D06F 81/00; D06F 81/003; D06F 81/006; D06F 81/02; D06F 81/04; D06F 81/06; D06F 81/08; D06F 81/12; D06F 83/00; Y10S 38/00;
(Continued)

(57) **CLAIM**

We claim the ornamental design for an ironing board, as shown and described.

DESCRIPTION

FIG. 1 is a perspective view of an ironing board showing the new design;
FIG. 2 is a front elevation view thereof;
FIG. 3 is a rear elevation view thereof;
FIG. 4 is a left side elevation view thereof;
FIG. 5 is a right side elevation view thereof;
FIG. 6 is a top plan view thereof;
FIG. 7 is a bottom plan view thereof; and,
FIG. 8 is an enlarged view of a portion of the ironing board of FIG. 1 showing the display in use.
The broken line showing the display in FIG. 8 forms no part of the claimed design. All other broken lines shown in the drawings depict portions of the ironing board that form no part of the claimed design. The dashed broken lines in FIG. 8 show the boundary of the enlarged view and forms no part of the claimed design.

(56) **References Cited**

U.S. PATENT DOCUMENTS

D20,694 S * 4/1891 Day D32/66
D28,202 S * 1/1898 Dana D32/66

(Continued)

1 Claim, 8 Drawing Sheets

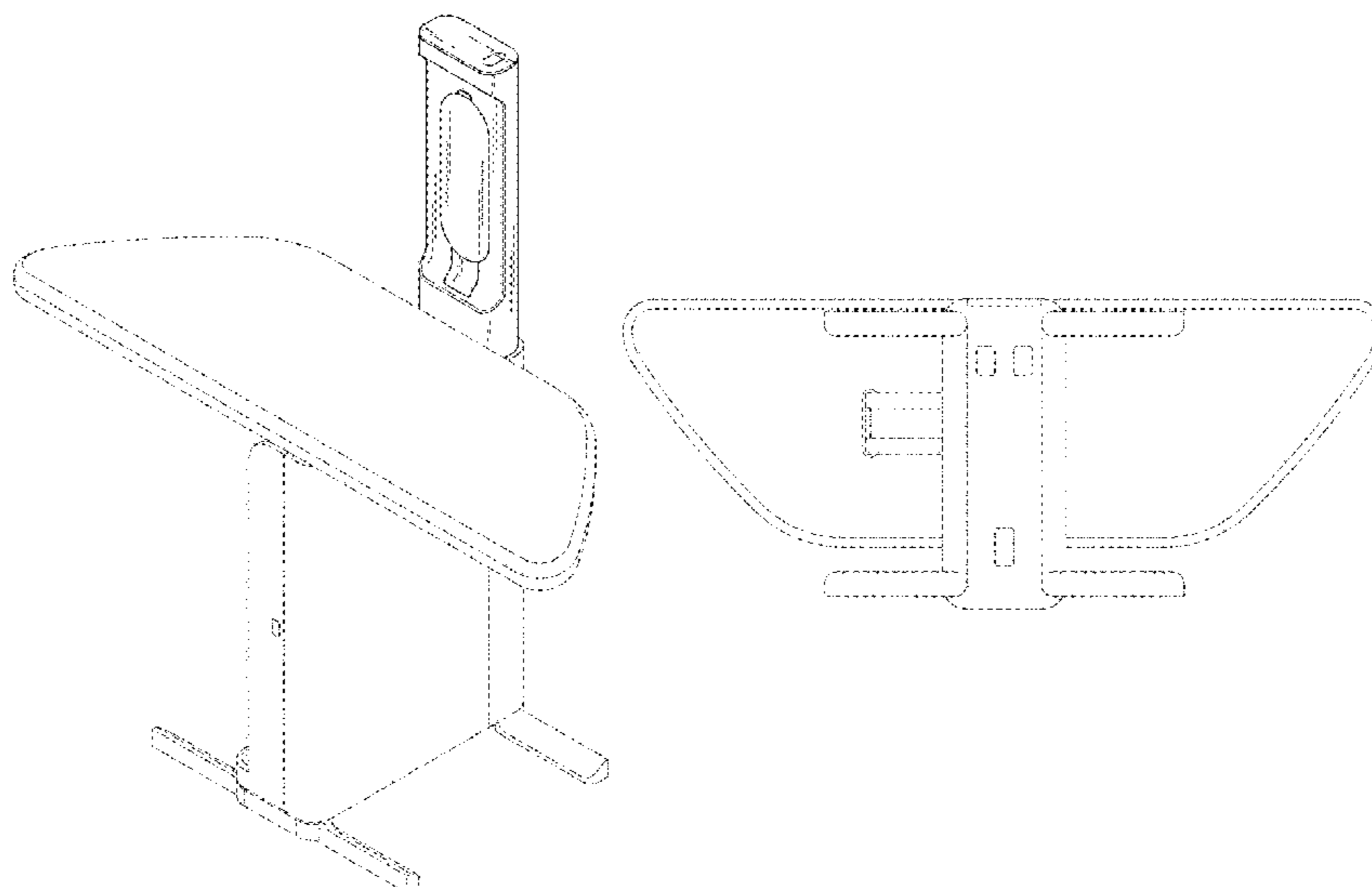


FIG. 1

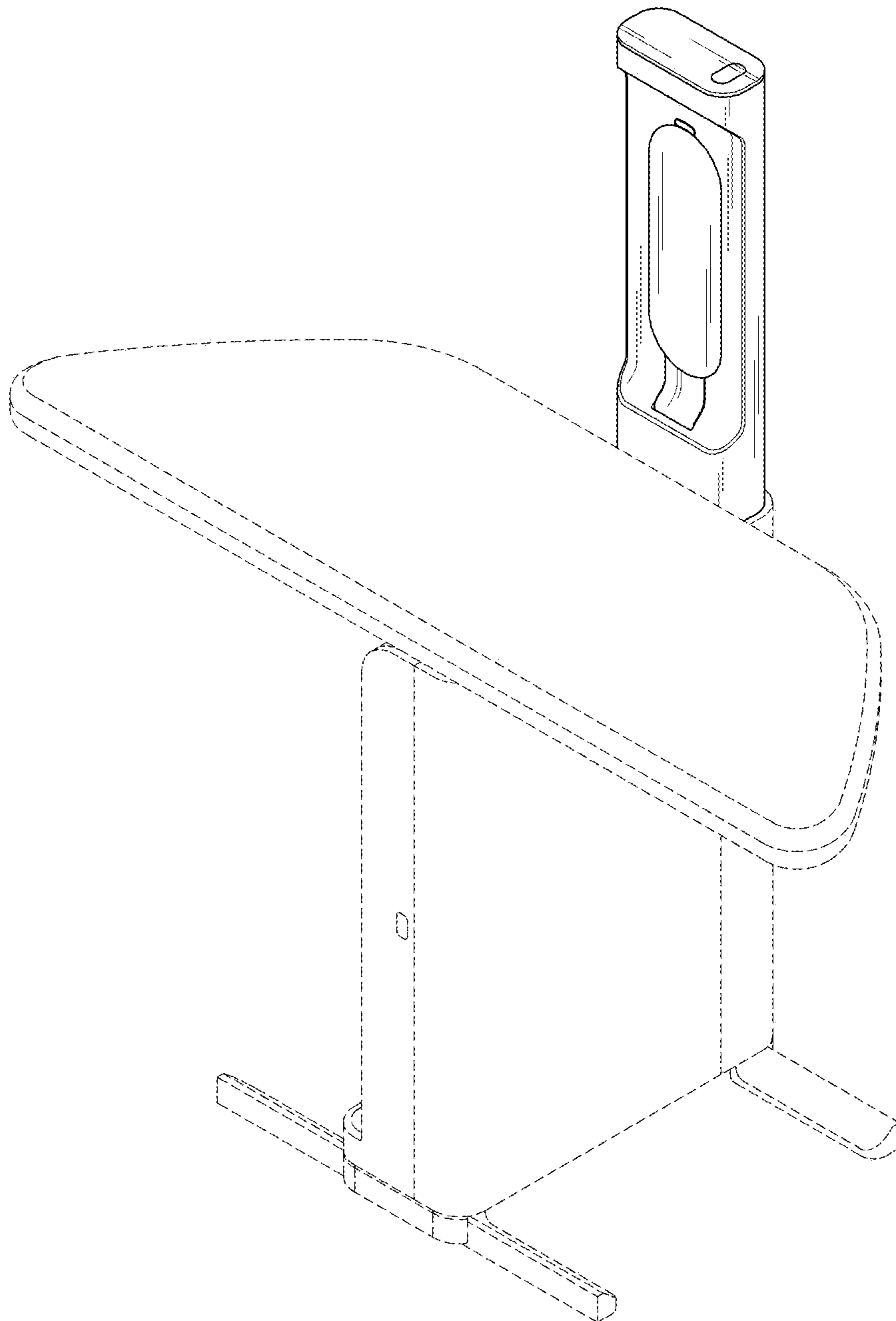


FIG. 2

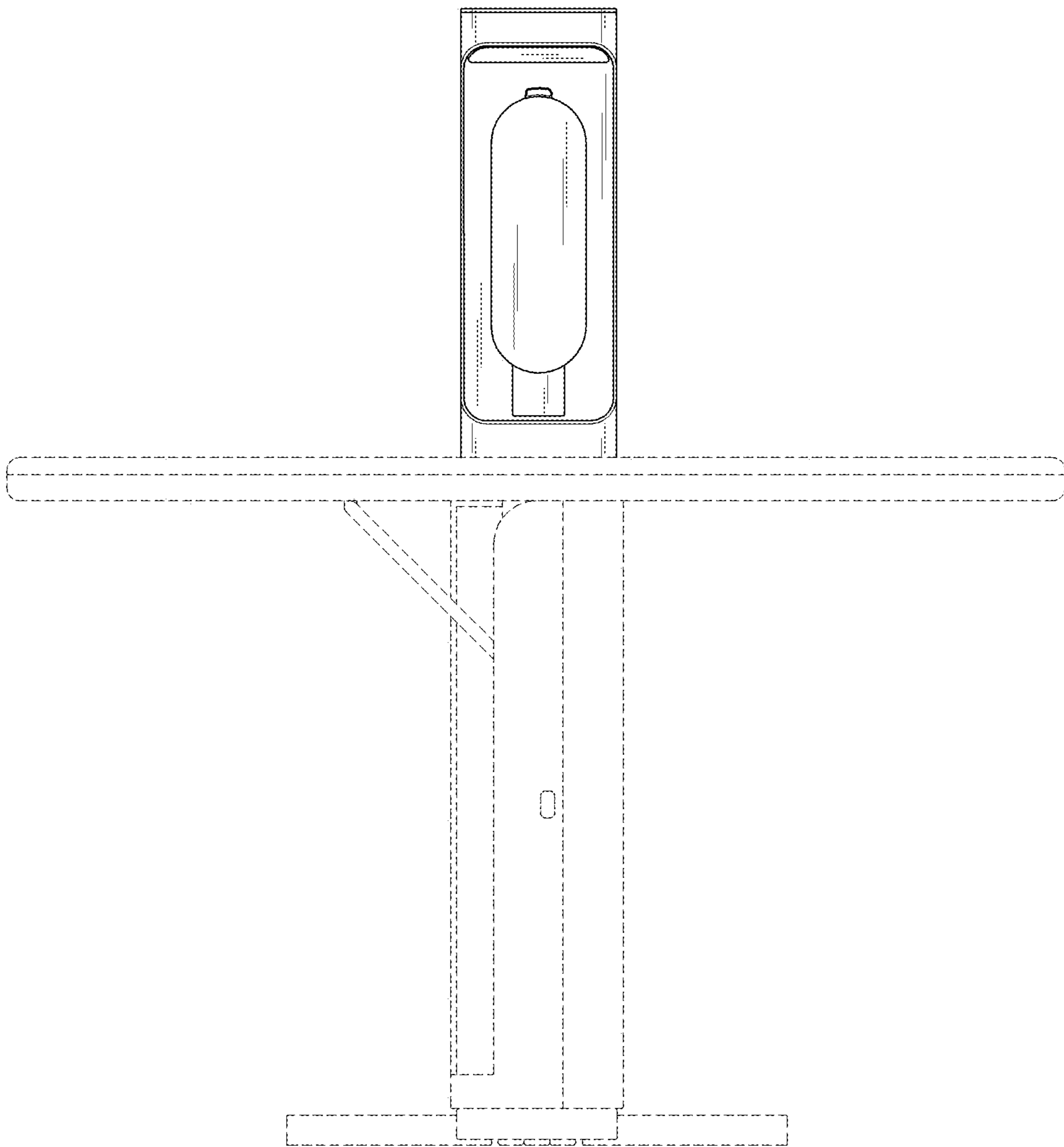


FIG. 3

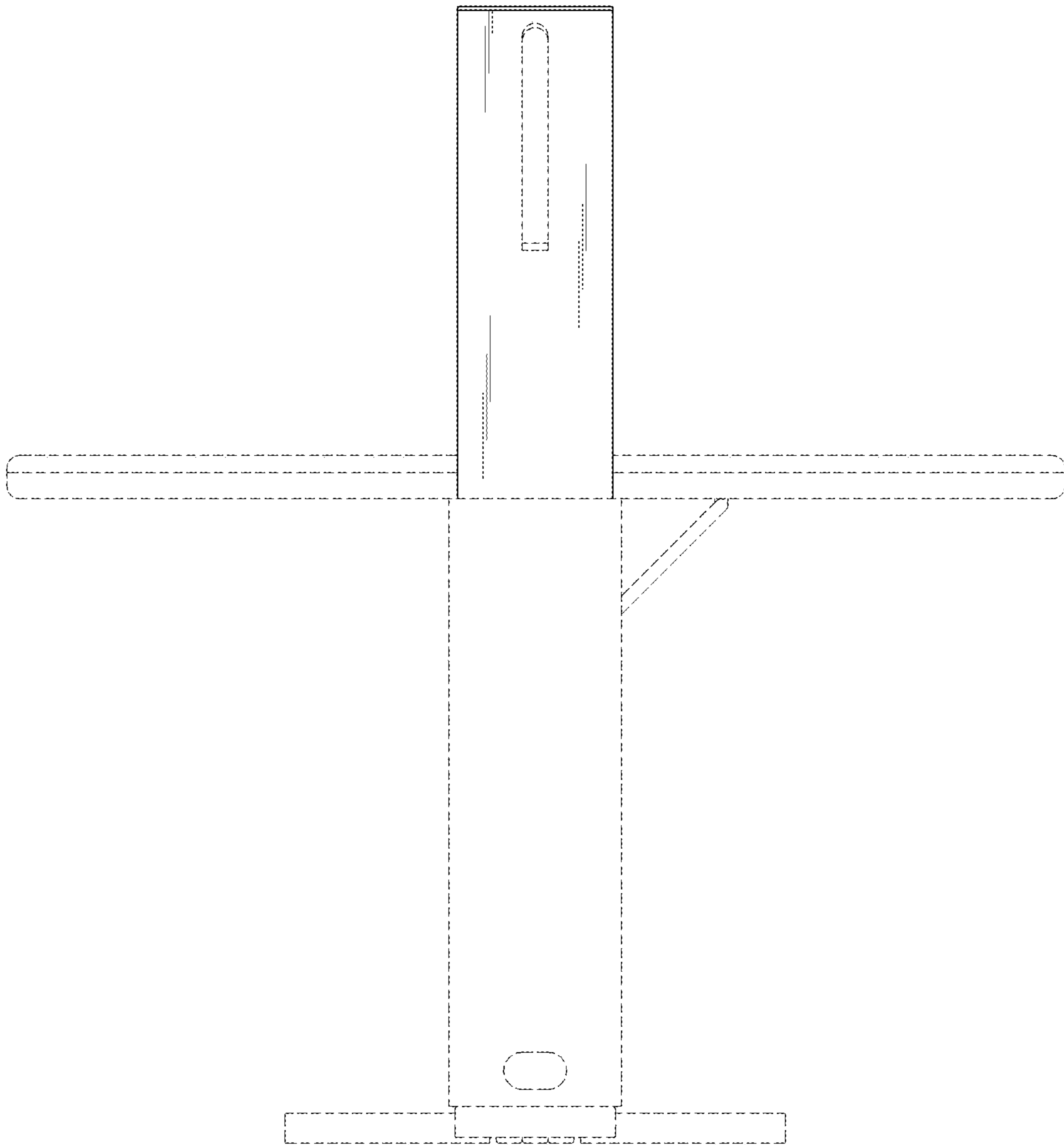


FIG. 4

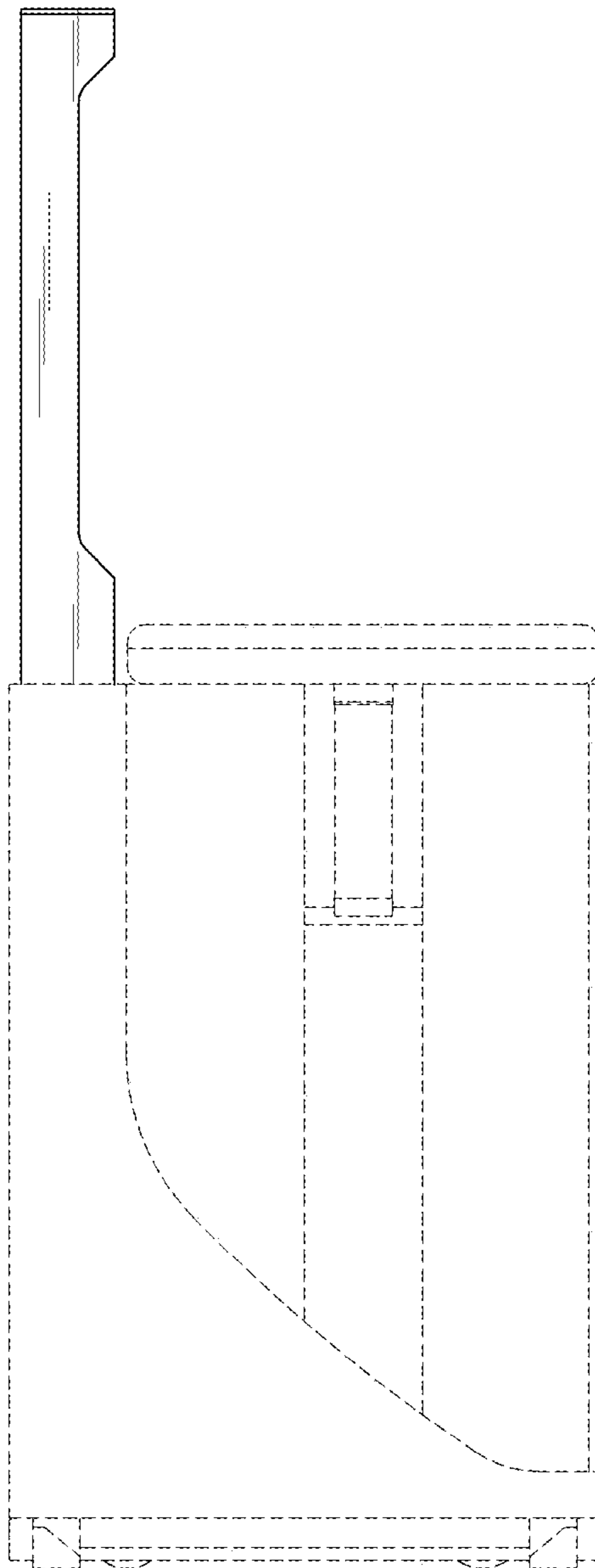


FIG. 5

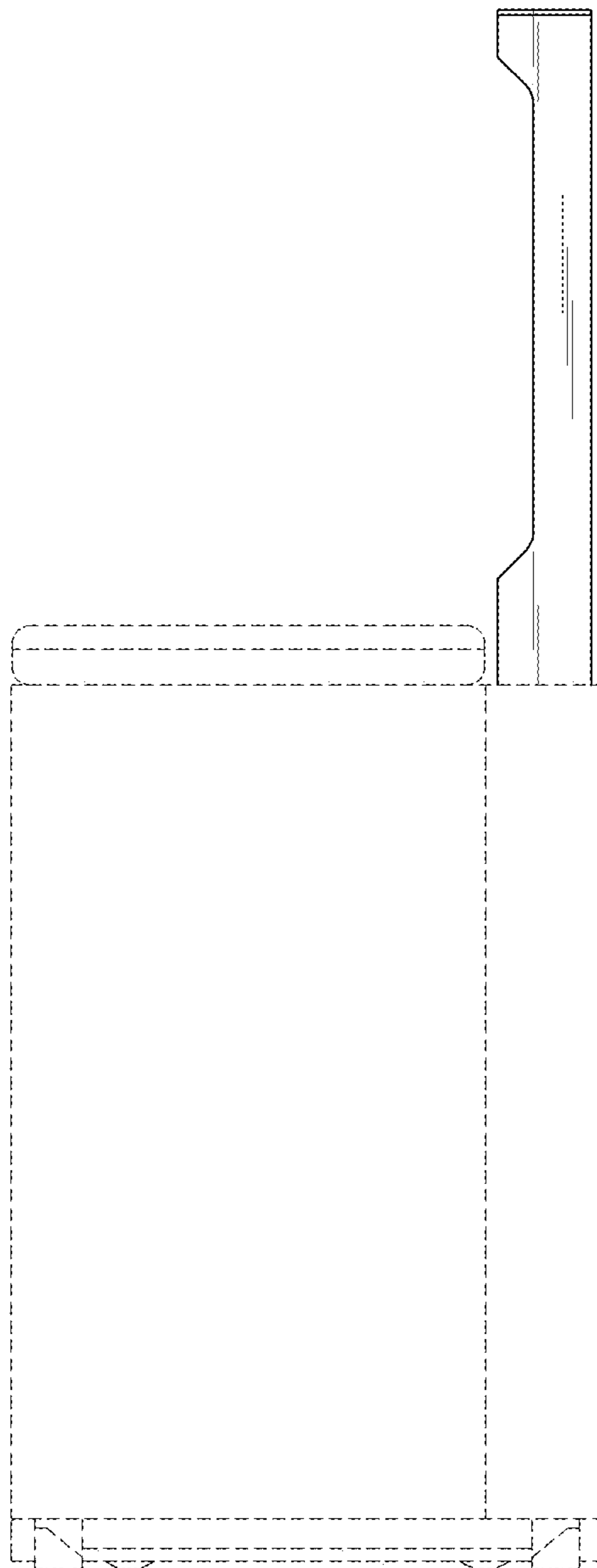


FIG. 6

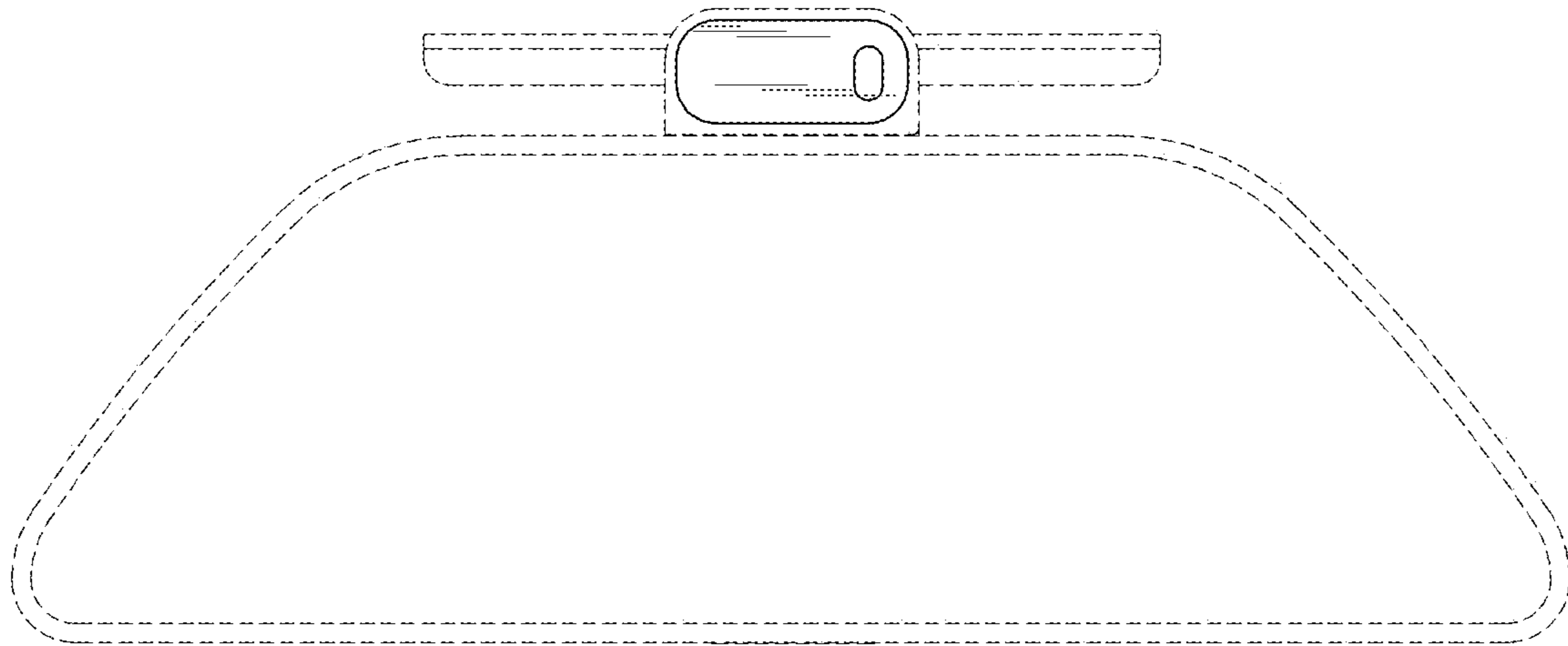


FIG. 7

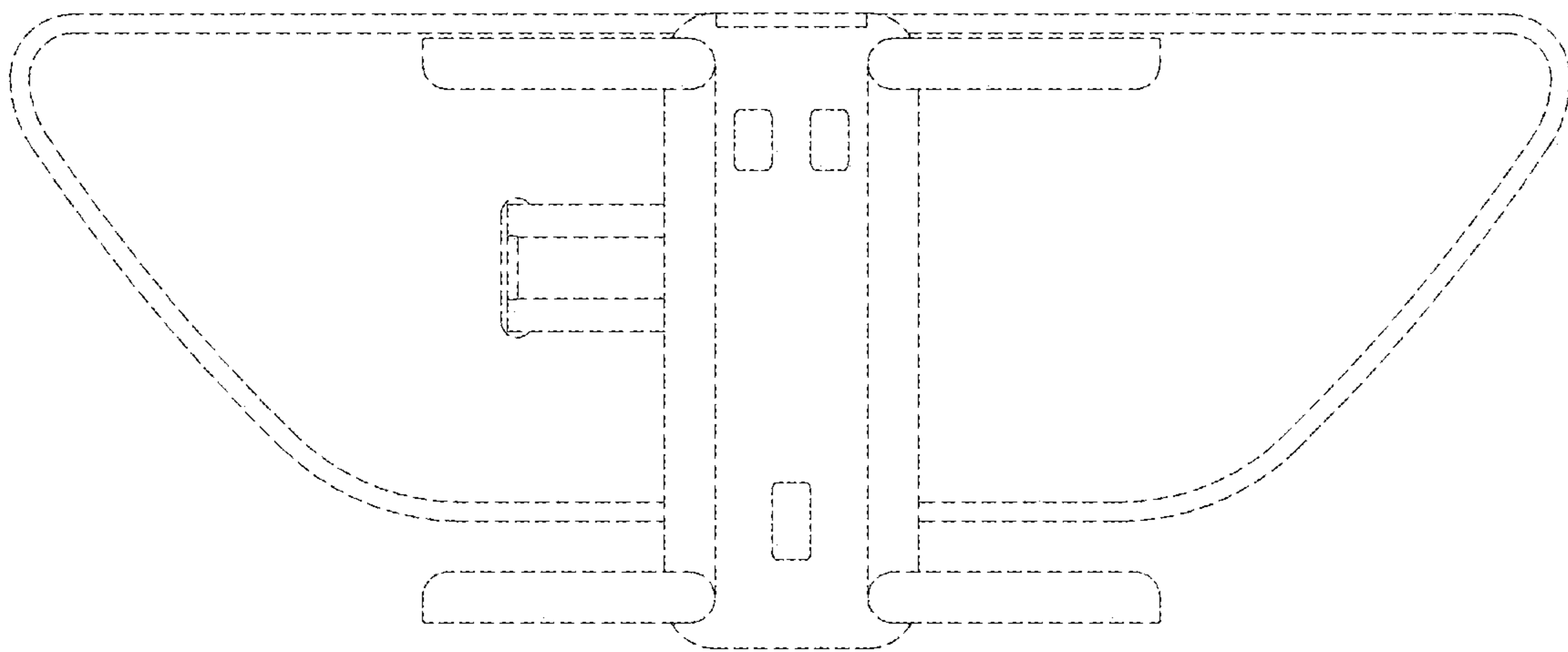


FIG. 8

