



US00D952977S

(12) **United States Design Patent**  
**Li**

(10) **Patent No.:** **US D952,977 S**

(45) **Date of Patent:** **\*\* May 24, 2022**

(54) **DISH DRAINER**

(71) Applicant: **Yanjun Li**, Dongguan (CN)

(72) Inventor: **Yanjun Li**, Dongguan (CN)

(73) Assignee: **Dongguan Ruiwei Household Products Technology Co., Ltd.**, Dongguan (CN)

(\*\*) Term: **15 Years**

(21) Appl. No.: **29/759,345**

(22) Filed: **Nov. 22, 2020**

(51) **LOC (13) Cl.** ..... **07-05**

(52) **U.S. Cl.**  
USPC ..... **D32/55**

(58) **Field of Classification Search**  
USPC ..... D32/55, 276, 3, 58; D6/510, 525;  
211/41.5, 41.4, 41.3, 41.8, 195, 200;  
361/679.4; 312/311, 333, 334.4;  
D7/354, 629, 368

CPC .. F26B 25/18; F26B 9/003; A61L 9/20; A47F  
3/08; A47B 43/00; D06F 57/12

See application file for complete search history.

(56) **References Cited**

**U.S. PATENT DOCUMENTS**

D595,914 S \* 7/2009 Housley ..... D32/58  
D852,446 S \* 6/2019 Sanduri Cohen ..... D32/55

D862,823 S \* 10/2019 Zhao ..... D32/55  
D871,009 S \* 12/2019 Sanduri Cohen ..... D32/55  
D899,722 S \* 10/2020 Yang ..... D32/55  
D903,216 S \* 11/2020 Xie ..... D32/55  
D921,320 S \* 6/2021 Hu ..... D32/55  
D922,715 S \* 6/2021 Li ..... D32/55  
D928,442 S \* 8/2021 Zhan ..... D32/55  
D930,930 S \* 9/2021 Tan ..... D32/55  
D931,568 S \* 9/2021 Padgett ..... D32/55  
D939,167 S \* 12/2021 Fan ..... D32/55

\* cited by examiner

*Primary Examiner* — Austin Murphy

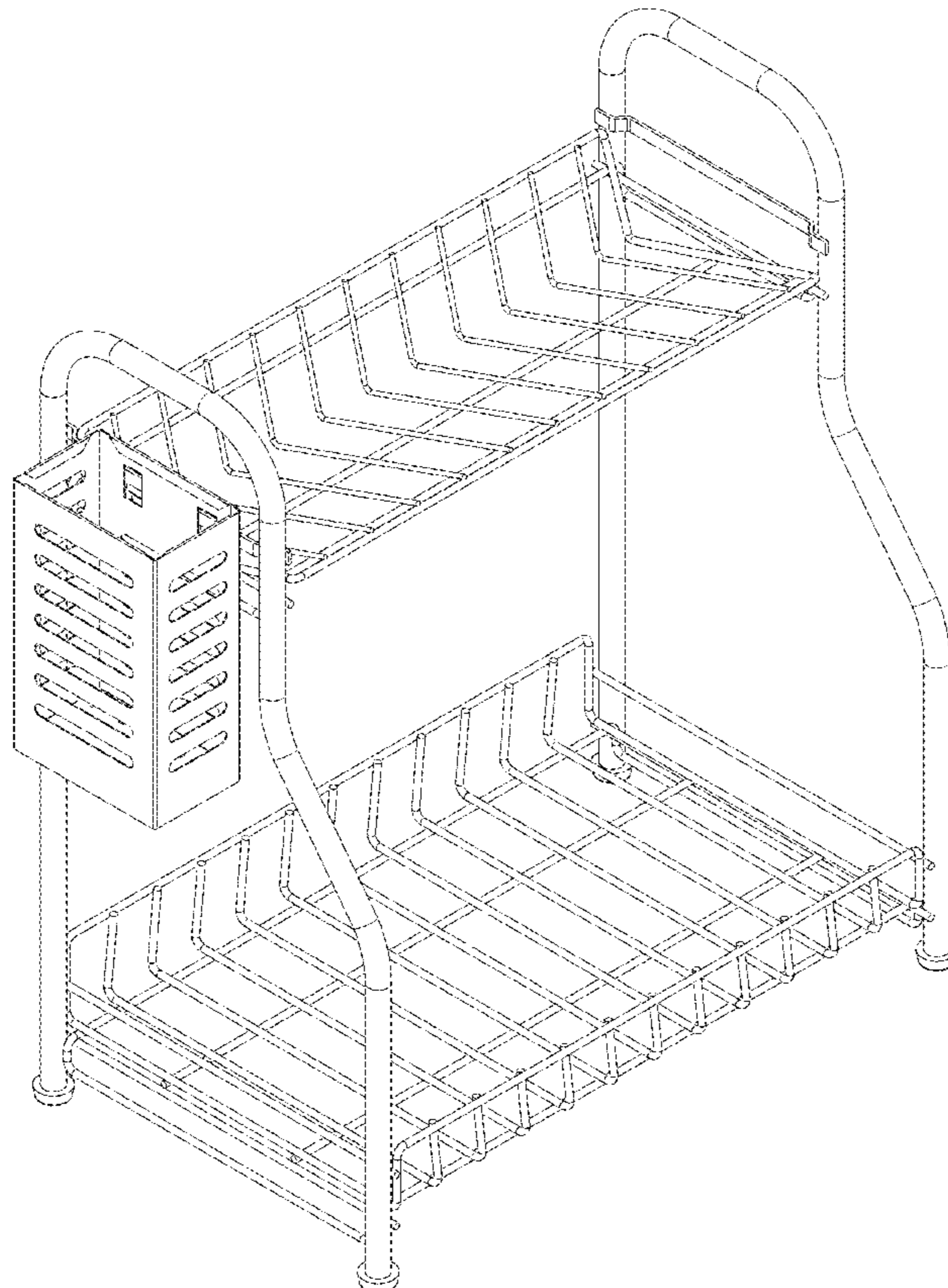
(57) **CLAIM**

The ornamental design for a dish drainer, as shown and described.

**DESCRIPTION**

FIG. 1 is a front, top perspective view of the dish drainer showing my new design;  
FIG. 2 is a rear, bottom perspective view thereof;  
FIG. 3 is a front elevational view thereof;  
FIG. 4 is a rear elevational view thereof;  
FIG. 5 is a left side elevational view thereof;  
FIG. 6 is a right side elevational view thereof;  
FIG. 7 is a top plan view thereof; and,  
FIG. 8 is a bottom plan view thereof.

**1 Claim, 8 Drawing Sheets**



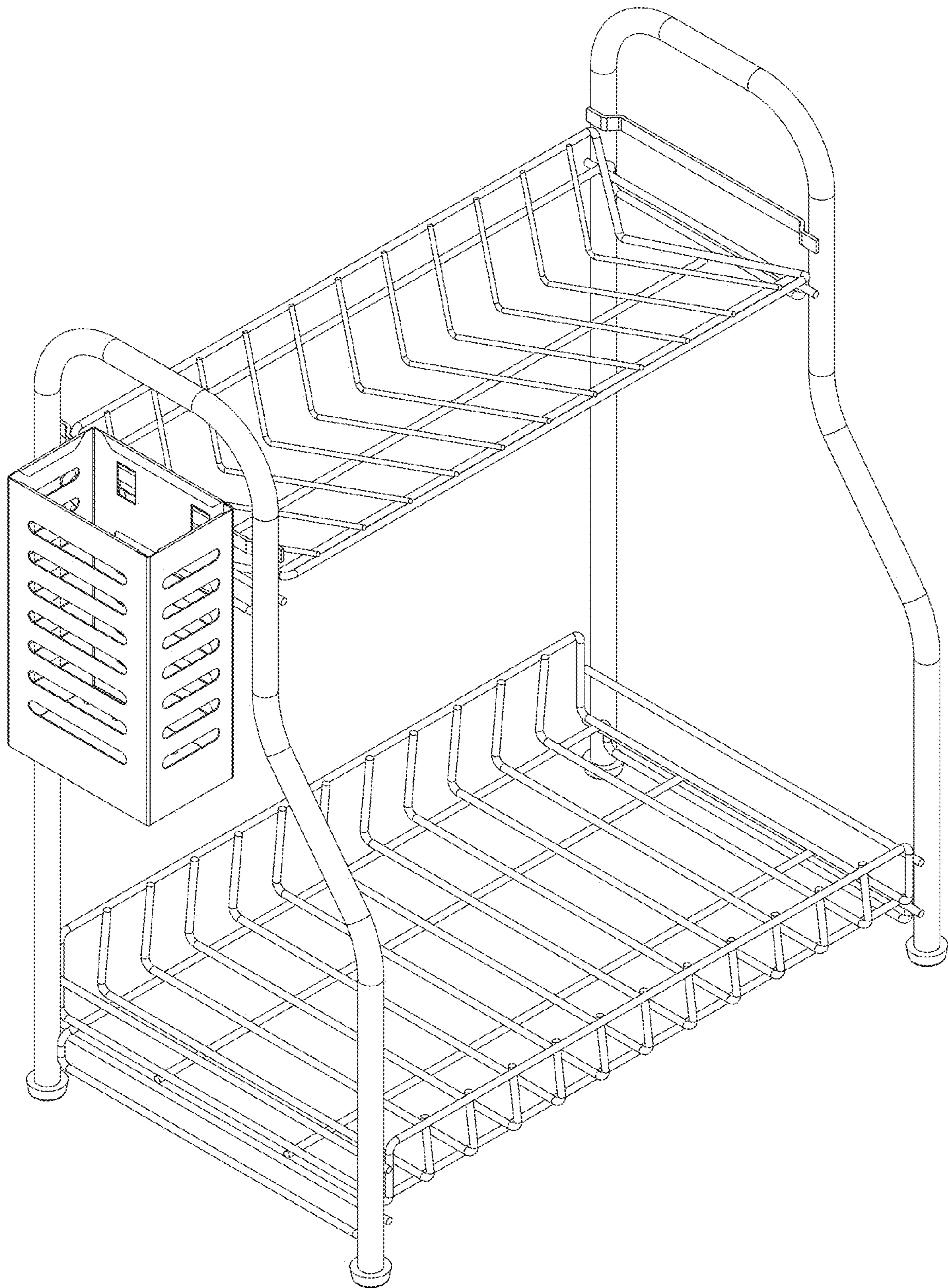


FIG. 1



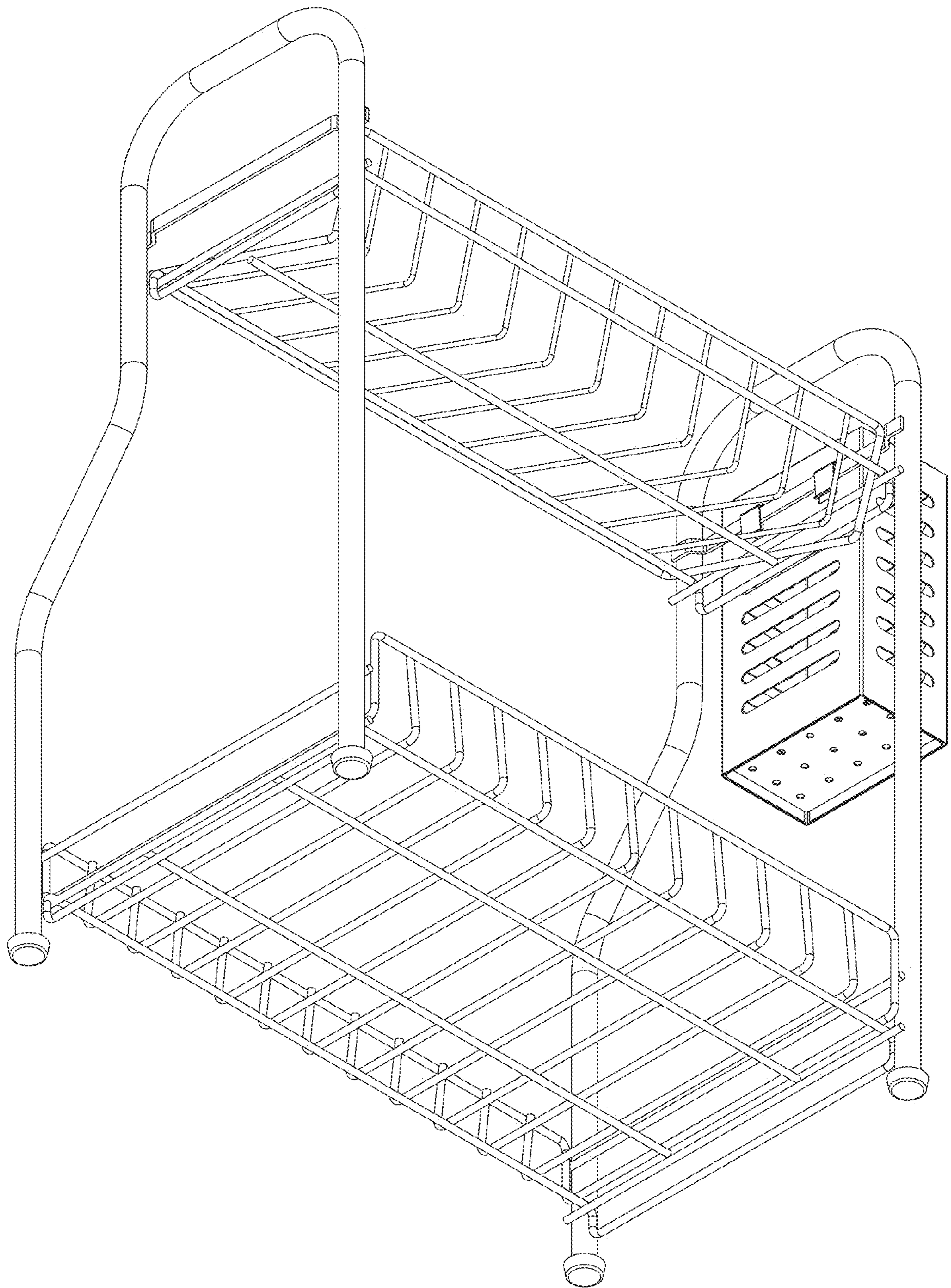


FIG. 2

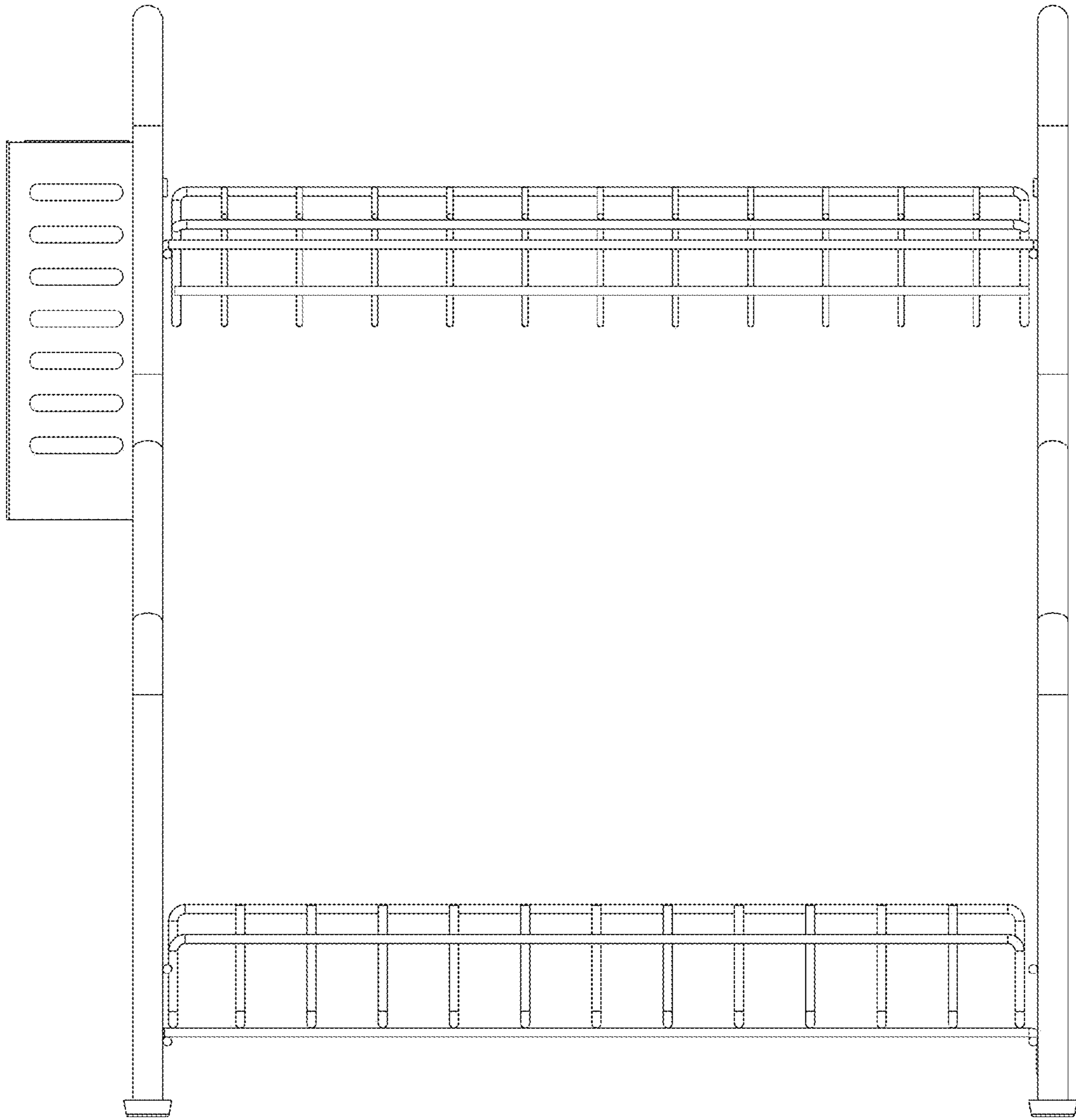


FIG. 3

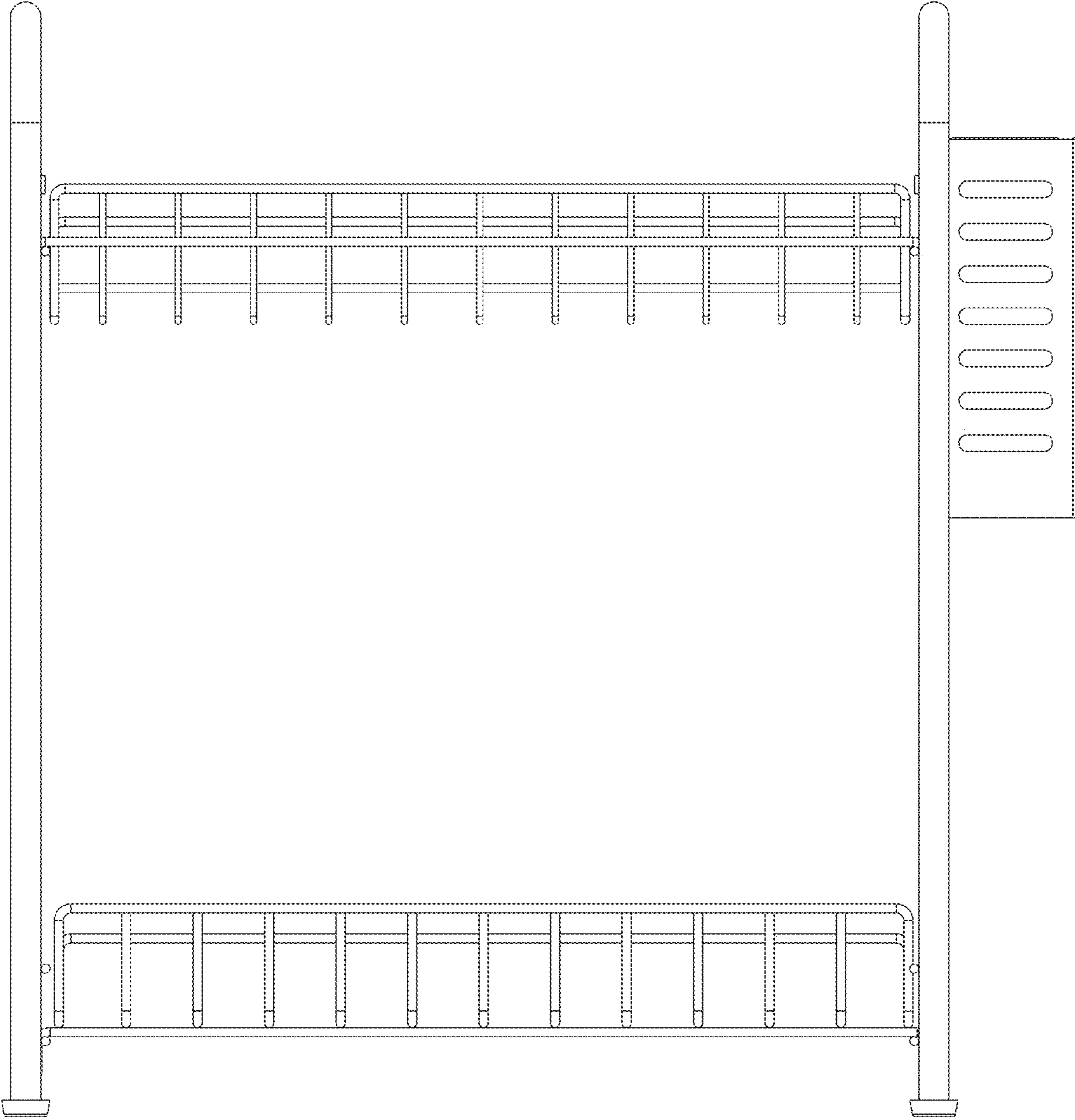


FIG. 4

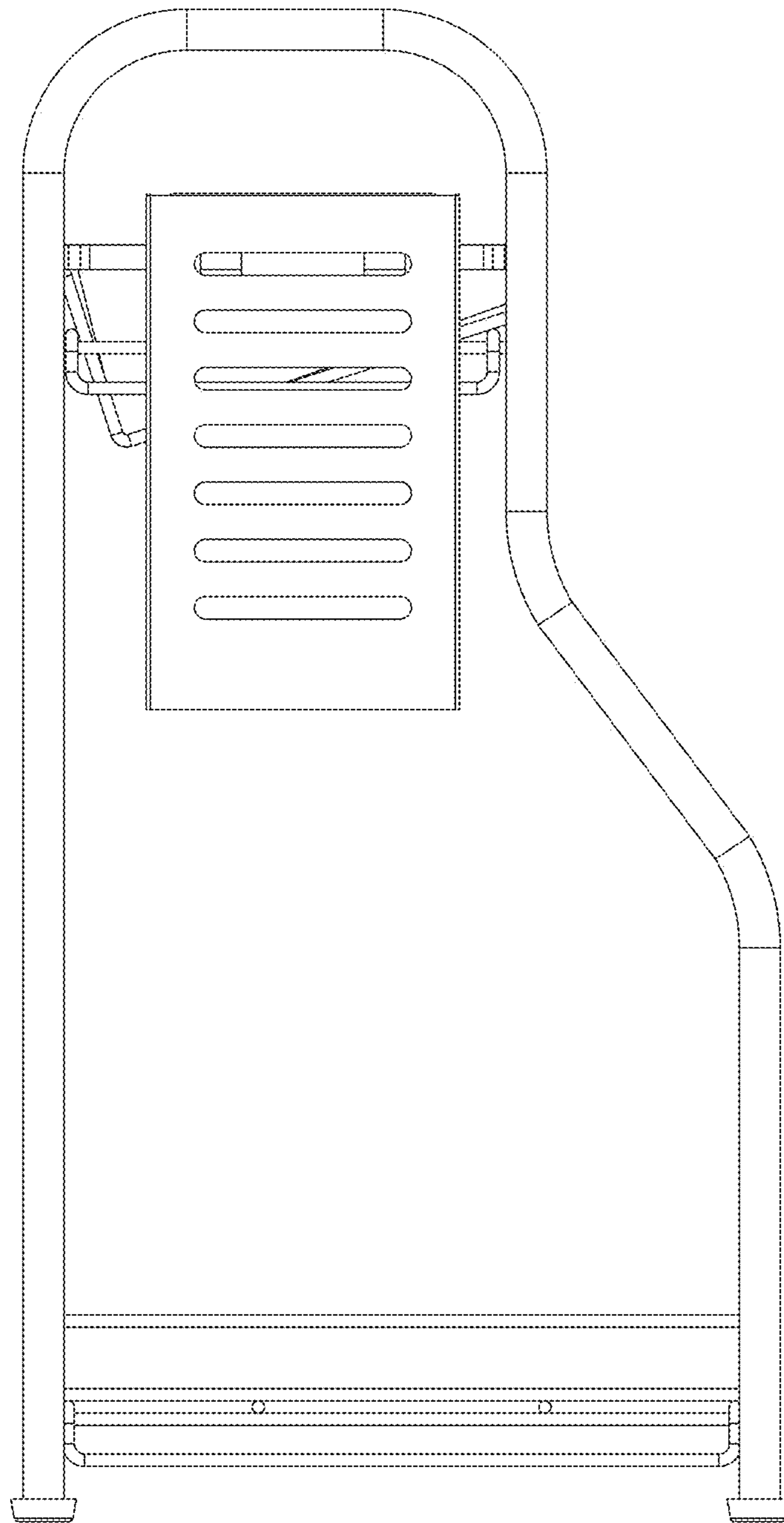


FIG. 5

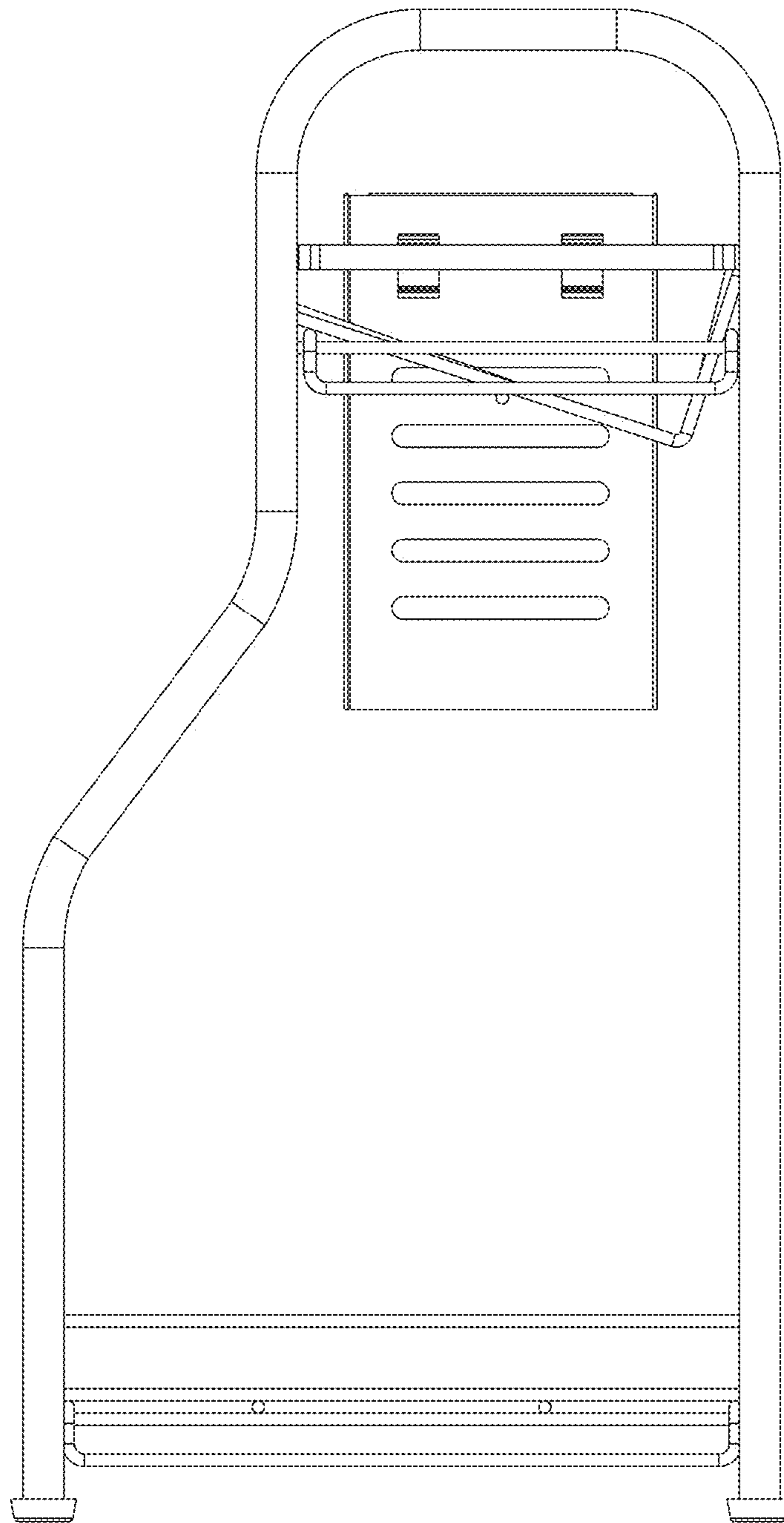


FIG. 6



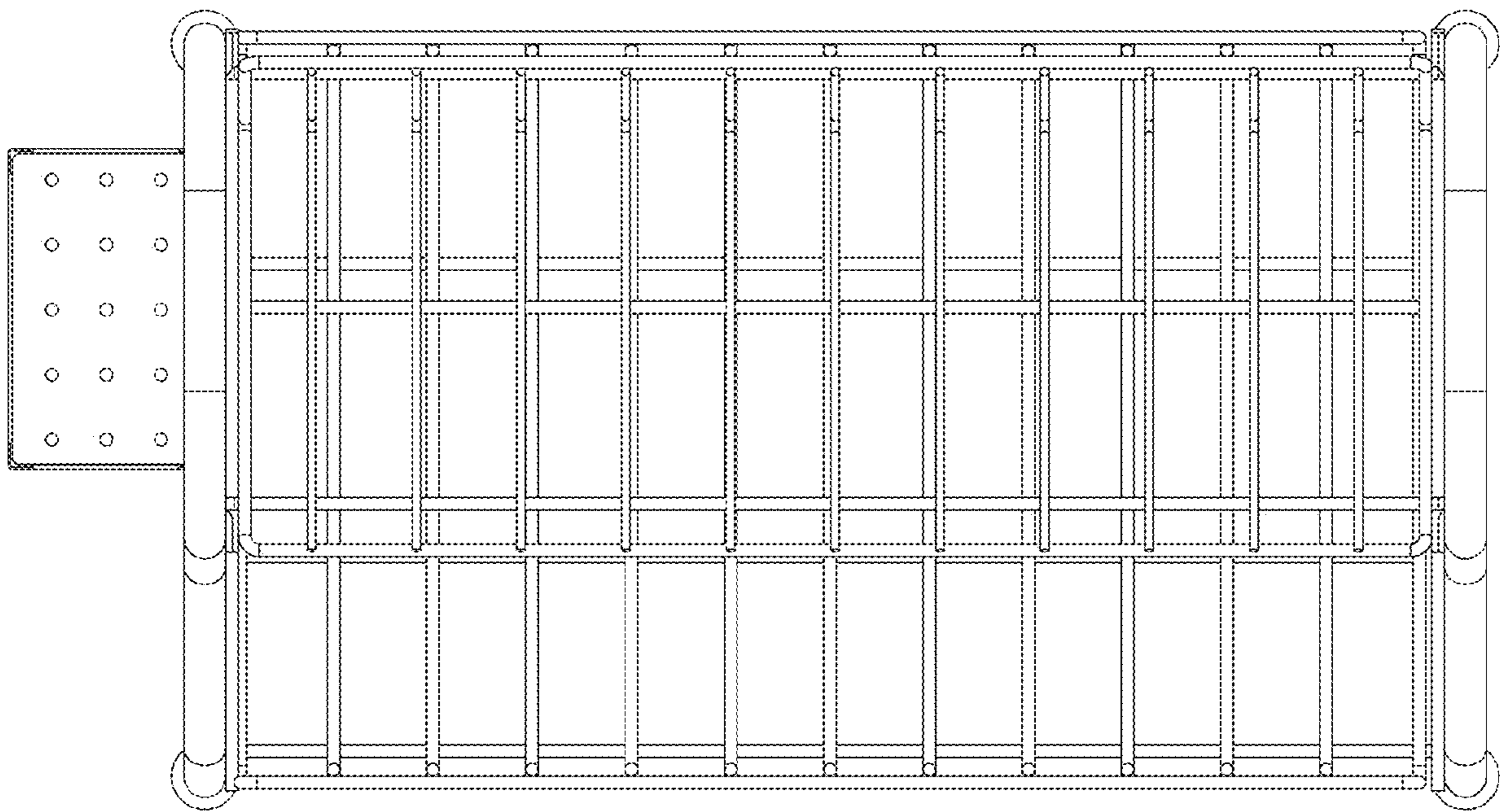


FIG. 7



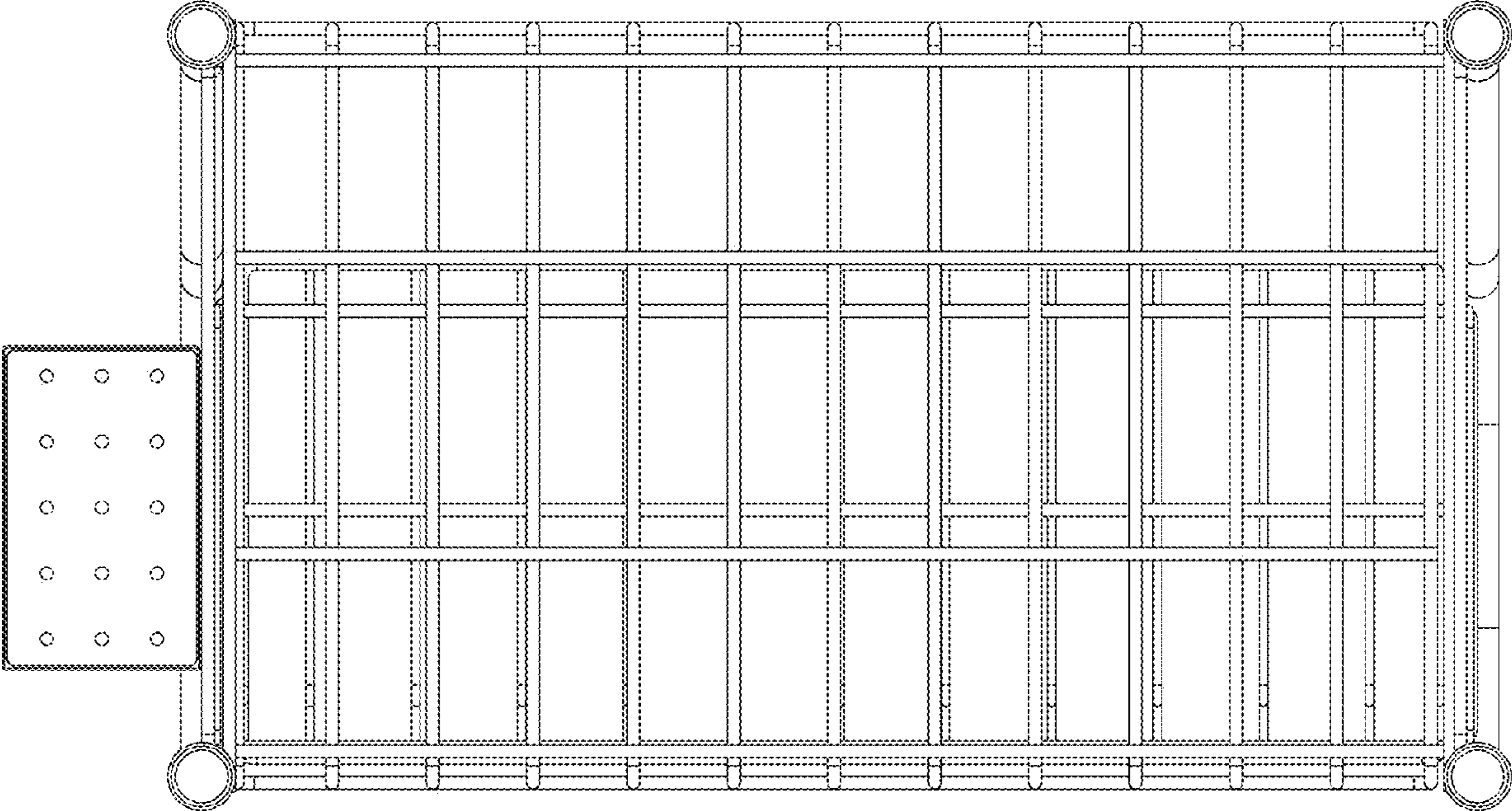


FIG. 8